

US00D765881S

(12) **United States Design Patent**
Deleu

(10) **Patent No.:** **US D765,881 S**

(45) **Date of Patent:** **** Sep. 6, 2016**

- (54) **FRAME ELEMENT**
- (71) Applicant: **ALUVISION, N.V.**, Deinze (BE)
- (72) Inventor: **Dirk Deleu**, Deinze (BE)
- (73) Assignee: **Aluvision, L.V.**, Deinze (BE)
- (**) Term: **15 Years**
- (21) Appl. No.: **29/526,723**
- (22) Filed: **May 13, 2015**
- (30) **Foreign Application Priority Data**

D365,888 S *	1/1996	Ishmael	D25/124
D392,393 S *	3/1998	Hersh	D25/122
5,727,356 A *	3/1998	Ensinger	E06B 3/26303 52/204.1
D479,612 S *	9/2003	Larsen	D25/121
D501,937 S *	2/2005	Mitrevis	D25/124
D518,900 S *	4/2006	Barnett	D25/119
D537,537 S *	2/2007	Antonic	D25/122
D541,953 S *	5/2007	Deleu	D25/122
D572,375 S *	7/2008	Morton	D25/121
D598,574 S *	8/2009	Bergmann	D25/122
D621,962 S *	8/2010	Deleu	D25/122
D655,427 S *	3/2012	Sutton	D25/121
D745,706 S *	12/2015	Gosling	D25/119
D754,366 S *	4/2016	Morton	D25/124
2002/0011039 A1 *	1/2002	Edger	E06B 1/36 52/204.6

- Feb. 25, 2015 (WO) 875292801
- (51) **LOC (10) Cl.** **25-01**
- (52) **U.S. Cl.**
USPC **D25/122**
- (58) **Field of Classification Search**
USPC D25/38.1, 39, 40, 41.1, 43, 44, 55,
D25/119-124, 126, 136, 164; D8/395, 396;
D20/42, 43, 44; D34/35
CPC E06B 1/36; E06B 1/702; E06B 1/366;
E06B 1/524; E06B 1/68; E06B 1/006;
E06B 1/04; E06B 1/26; E06B 1/28; E06B
2001/628; E06B 3/66; E06B 2003/2615;
E04B 2/03
See application file for complete search history.

* cited by examiner

Primary Examiner — Cynthia Ramirez
Assistant Examiner — Llorellys Martinez-Rivera
 (74) *Attorney, Agent, or Firm* — Kirschstein, Israel,
 Schiffmiller & Pieroni, P.C.

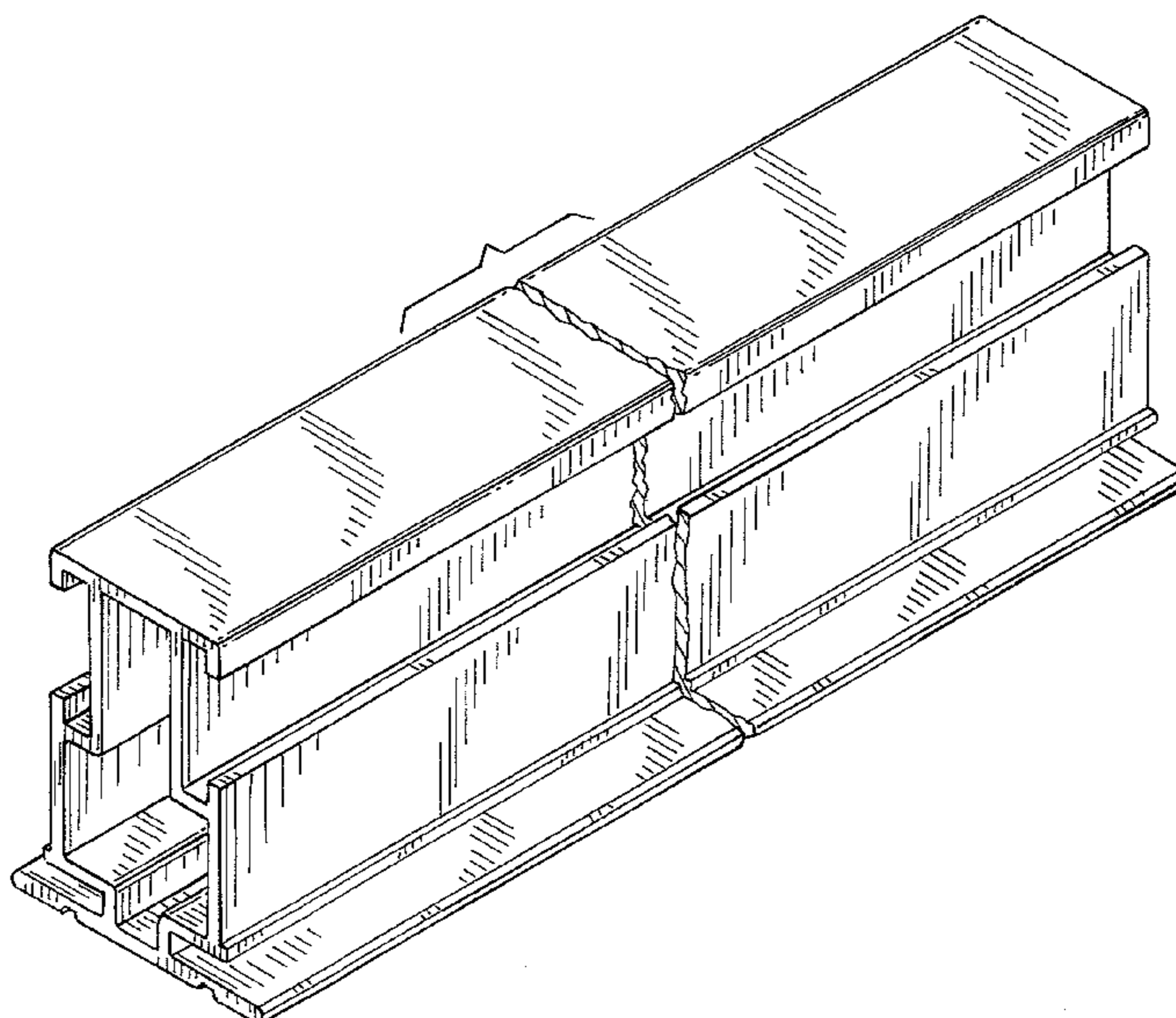
- (56) **References Cited**
U.S. PATENT DOCUMENTS
D208,297 S * 8/1967 Woodard D25/121
D251,451 S * 3/1979 Toder D25/121
D282,783 S * 2/1986 Rezewski D25/124
D300,063 S * 2/1989 Sheltra D25/120
D312,315 S * 11/1990 Westphal D25/122
D351,240 S * 10/1994 Cole D25/122
D351,667 S * 10/1994 Bancroft D25/124

(57) **CLAIM**
 The ornamental design for a frame element, as shown and described.

DESCRIPTION

FIG. 1 is a top perspective view of a frame element, showing my new design.
 FIG. 2 is a top plan view thereof.
 FIG. 3 is a right side elevation view thereof, the left side elevation view being a mirror image thereof.
 FIG. 4 is a front end elevation view thereof, the rear end elevation view being a mirror image thereof; and,
 FIG. 5 is a bottom plan view thereof.
 The frame element is shown with a symbolic break in its length. The appearance of any portion of the frame element between the break lines forms no part of the claimed design.

1 Claim, 3 Drawing Sheets



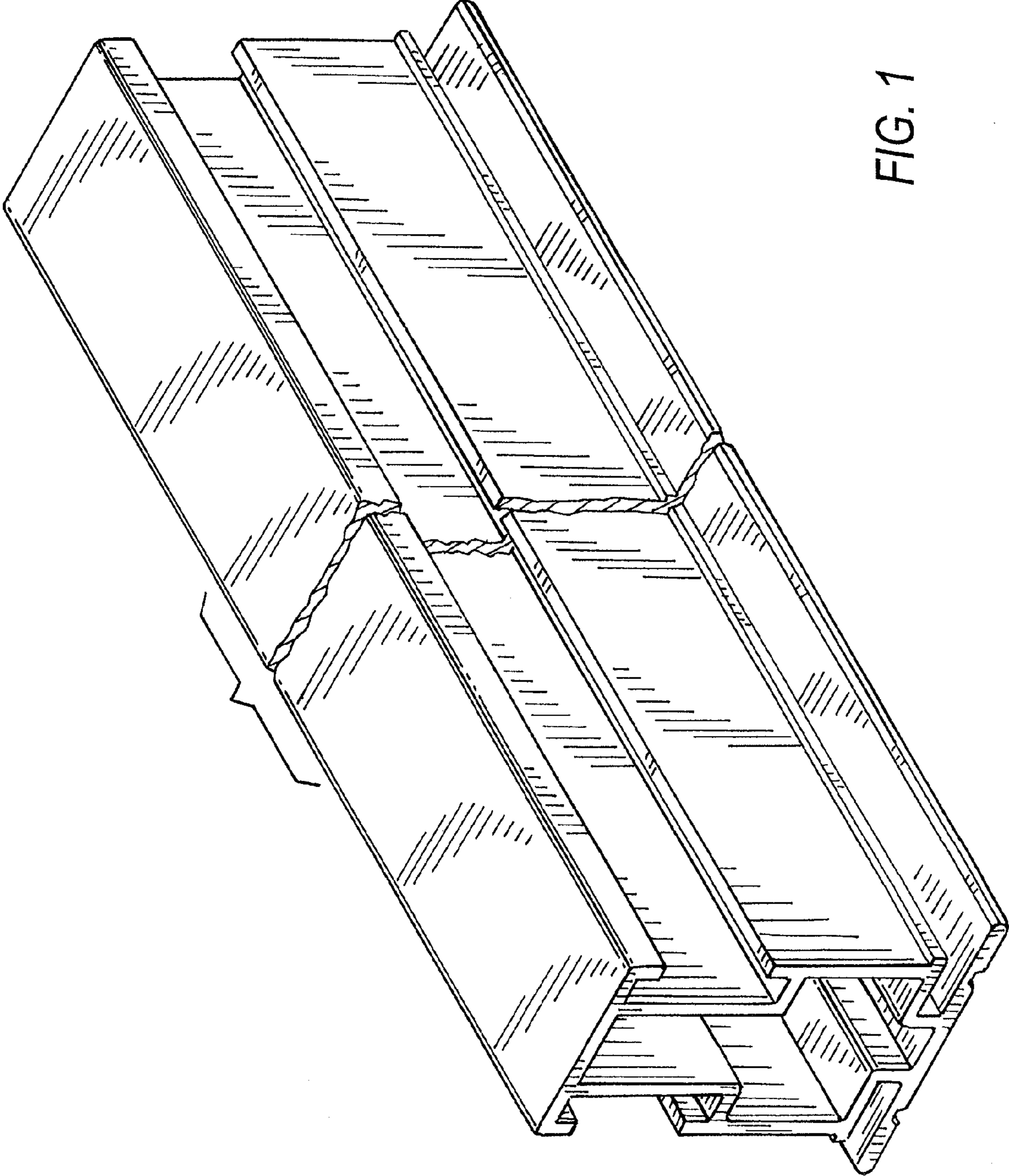


FIG. 1

FIG. 2

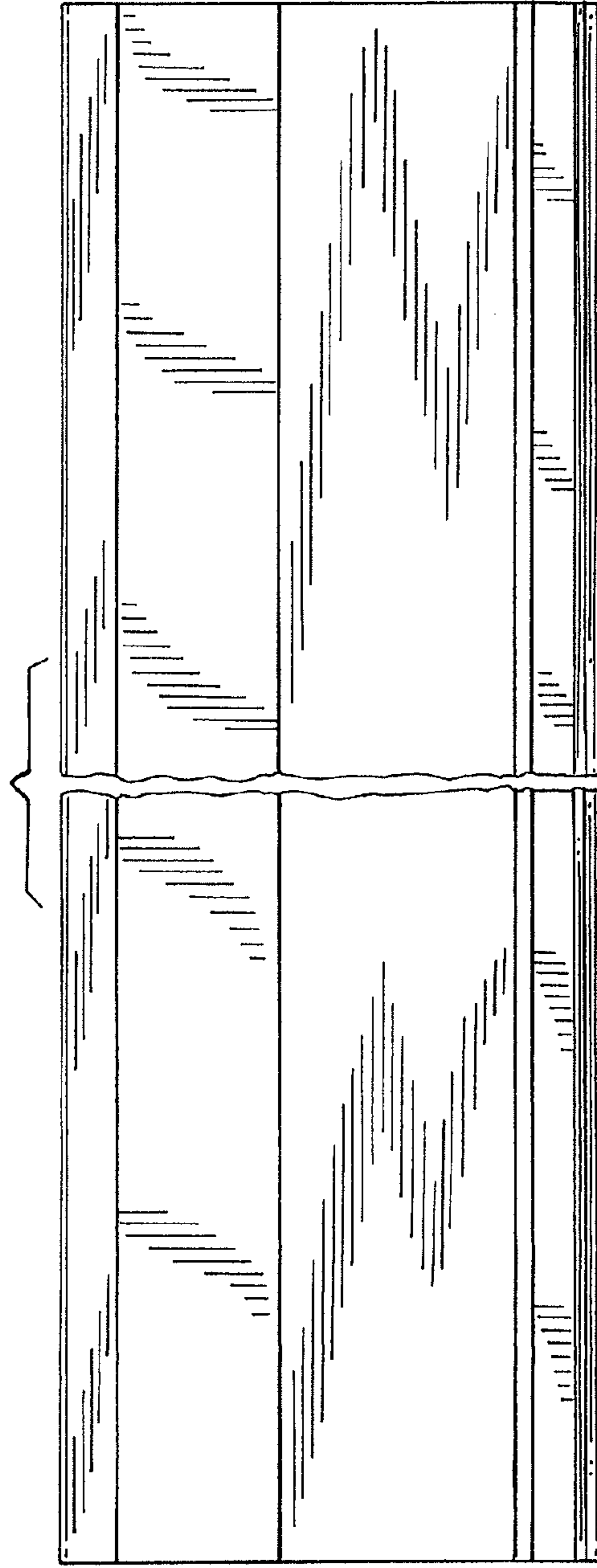
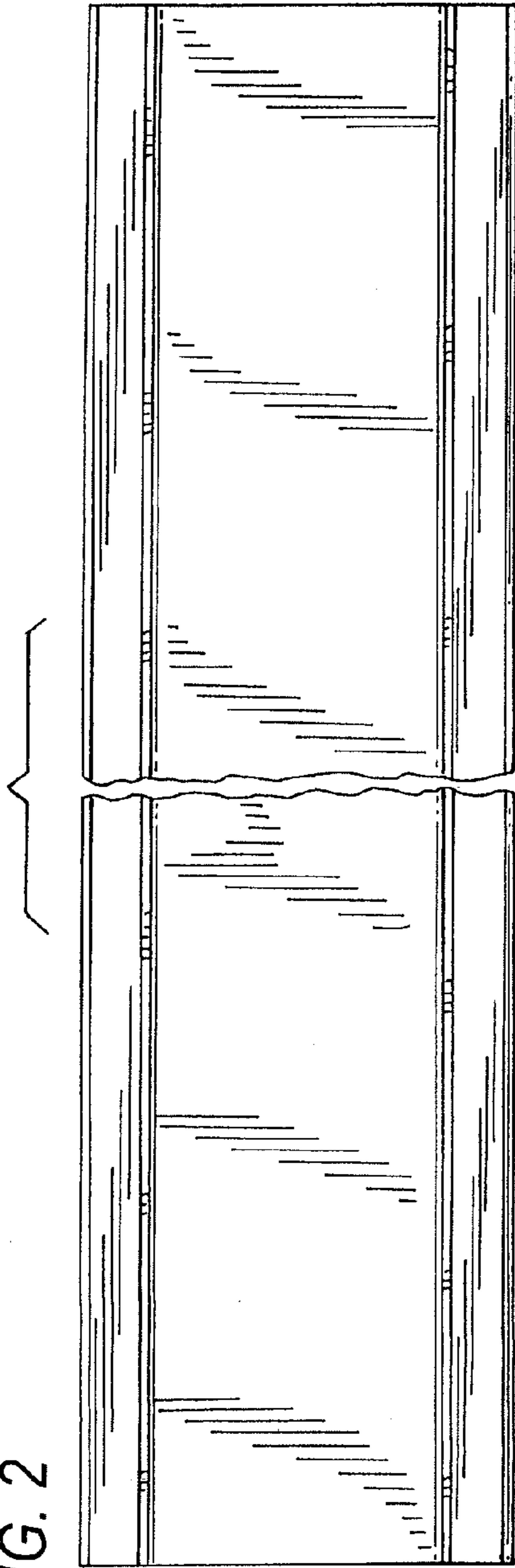


FIG. 3

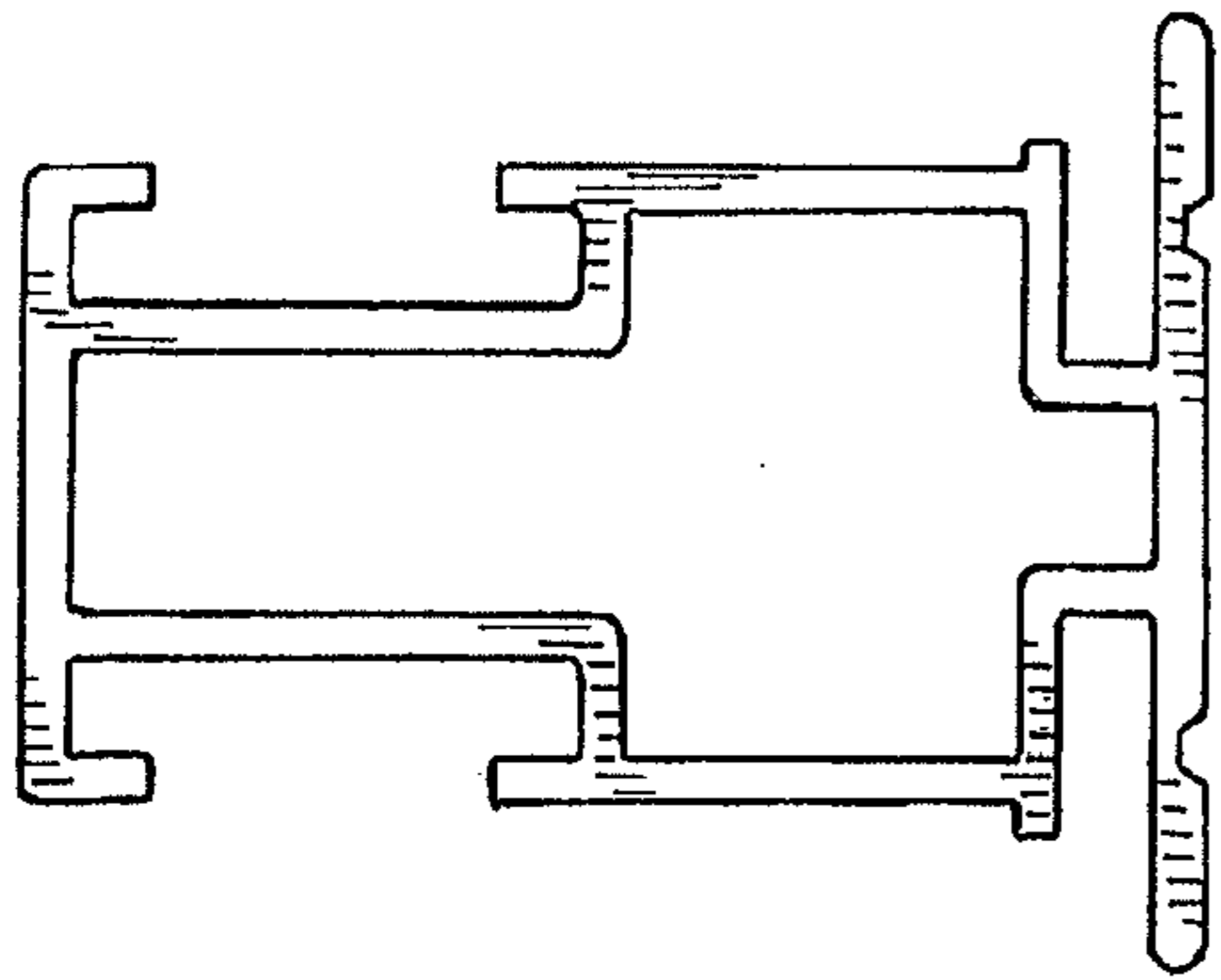


FIG. 4

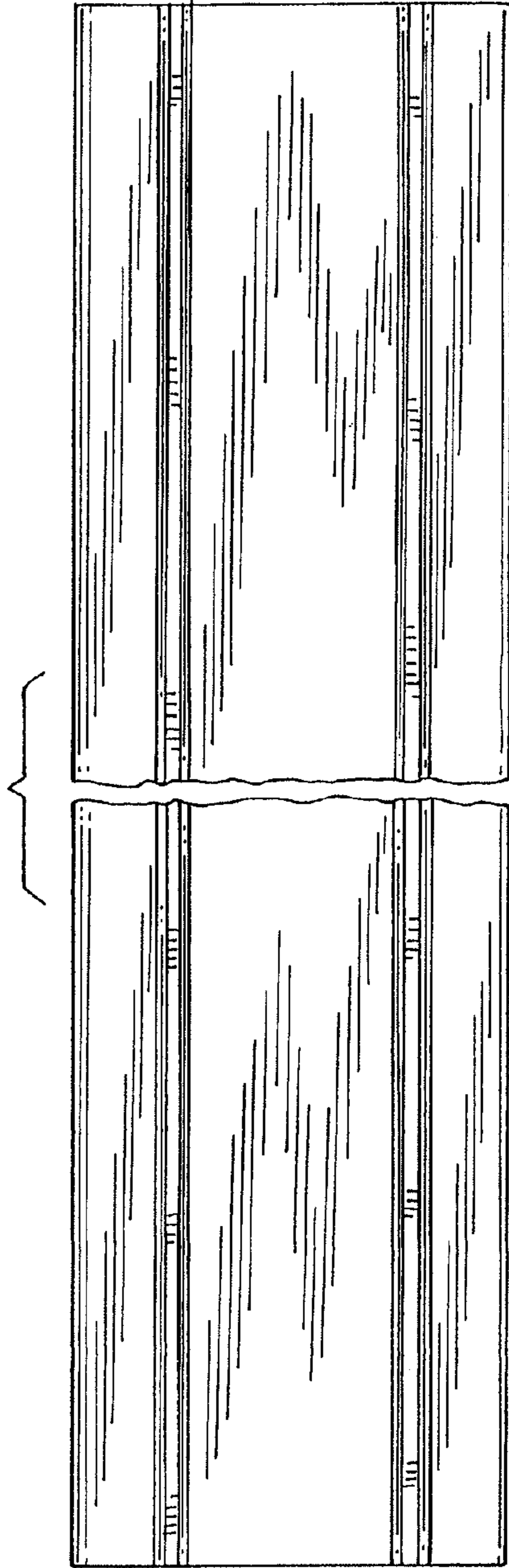


FIG. 5