

US00D765877S

(12) **United States Design Patent**
Bussard et al.

(10) **Patent No.: US D765,877 S**

(45) **Date of Patent: ** Sep. 6, 2016**

(54) **AWNING ROLLER**

6,347,776 B1 * 2/2002 Chuang F16M 11/12
248/288.51

(71) Applicants: **John R Bussard**, Kernersville, NC
(US); **William K Cook**, Greensboro,
NC (US); **Jeffrey R Russell**,
Winston-Salem, NC (US)

6,622,742 B1 * 9/2003 Hanna E04F 10/0614
135/88.12

D649,535 S * 11/2011 Lau D14/239

OTHER PUBLICATIONS

(72) Inventors: **John R Bussard**, Kernersville, NC
(US); **William K Cook**, Greensboro,
NC (US); **Jeffrey R Russell**,
Winston-Salem, NC (US)

<https://www.rvupgradestore.com/RV-Awning-Door-Roller-Ball-p/25-8537.htm> Available Jul. 7, 2014.*

* cited by examiner

(73) Assignee: **Camco Manufacturing, Inc.**,
Greensboro, NC (US)

Primary Examiner — Susan Bennett Hattan

Assistant Examiner — Leanne Was

(**) Term: **14 Years**

(21) Appl. No.: **29/474,208**

(57) **CLAIM**

(22) Filed: **Jul. 11, 2014**

The ornamental design for an awning roller, as shown and described.

(51) **LOC (10) Cl.** **25-02**

(52) **U.S. Cl.**

USPC **D25/57**; D8/402

(58) **Field of Classification Search**

USPC D8/349, 350, 352, 353, 354;

D25/55-57, 61; 135/88.12; 160/67, 77,

160/82, 326; 242/595.1, 918; 248/284.1,

248/286.1; 403/189

CPC E06B 9/44; E04F 10/0662

See application file for complete search history.

DESCRIPTION

FIG. 1 is a front, bottom, right perspective view of an awning roller according to the invention;

FIG. 2 is a front elevation view thereof;

FIG. 3 is a rear elevation view thereof;

FIG. 4 is a left side elevational view and the right side elevation view being a mirror image thereof;

FIG. 5 is a top plan view thereof;

FIG. 6 is a bottom plan view thereof; and,

FIG. 7 is a bottom, rear, left perspective view thereof.

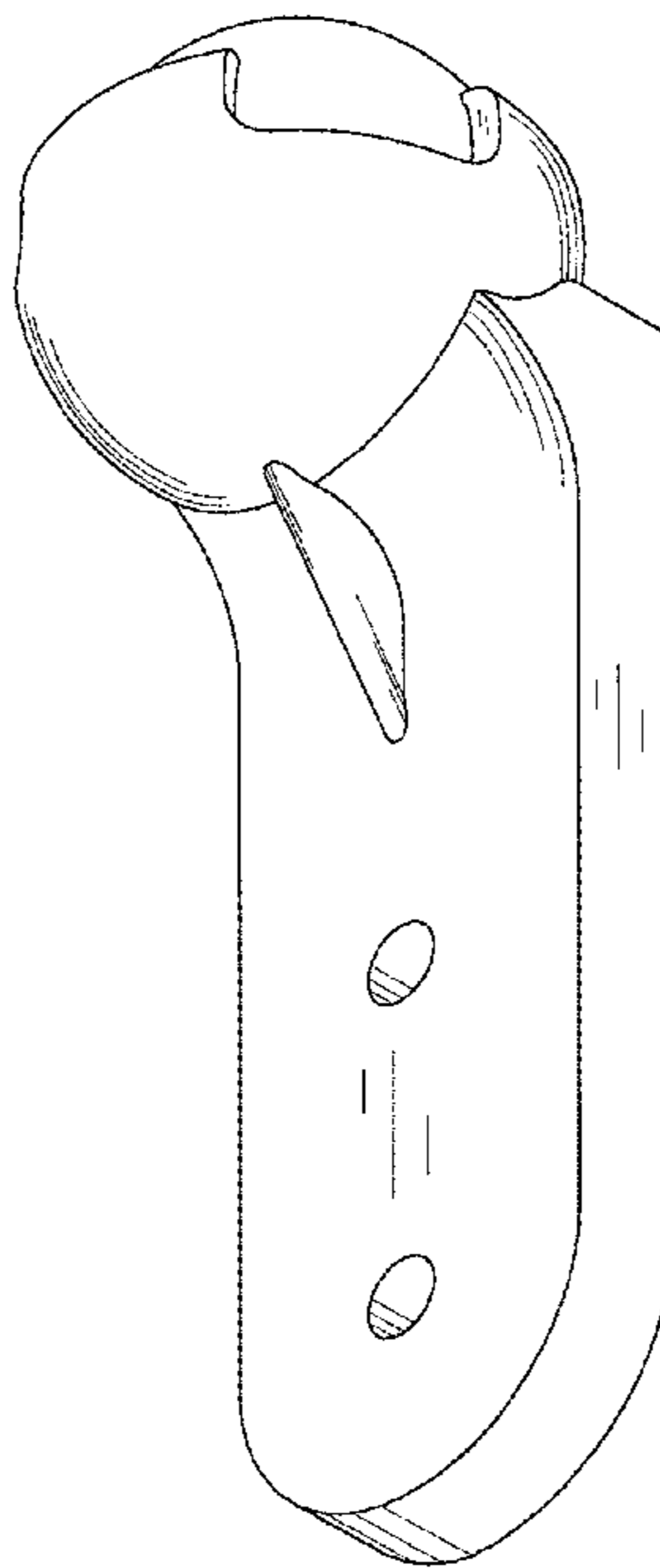
(56) **References Cited**

U.S. PATENT DOCUMENTS

1,849,262 A * 3/1932 Anton E06B 9/44
160/326

2,865,589 A * 12/1958 D'Azzo E04F 10/0662
160/77

1 Claim, 6 Drawing Sheets



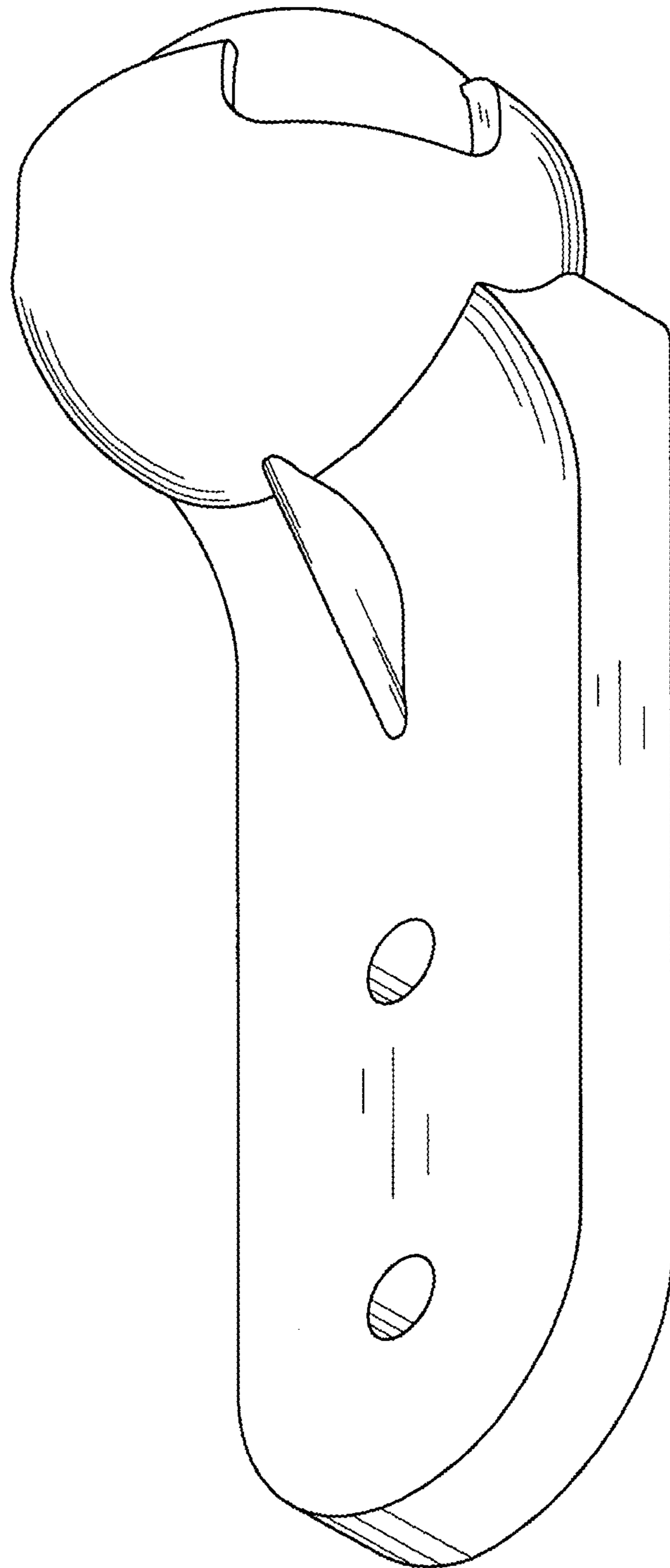


Fig. 1

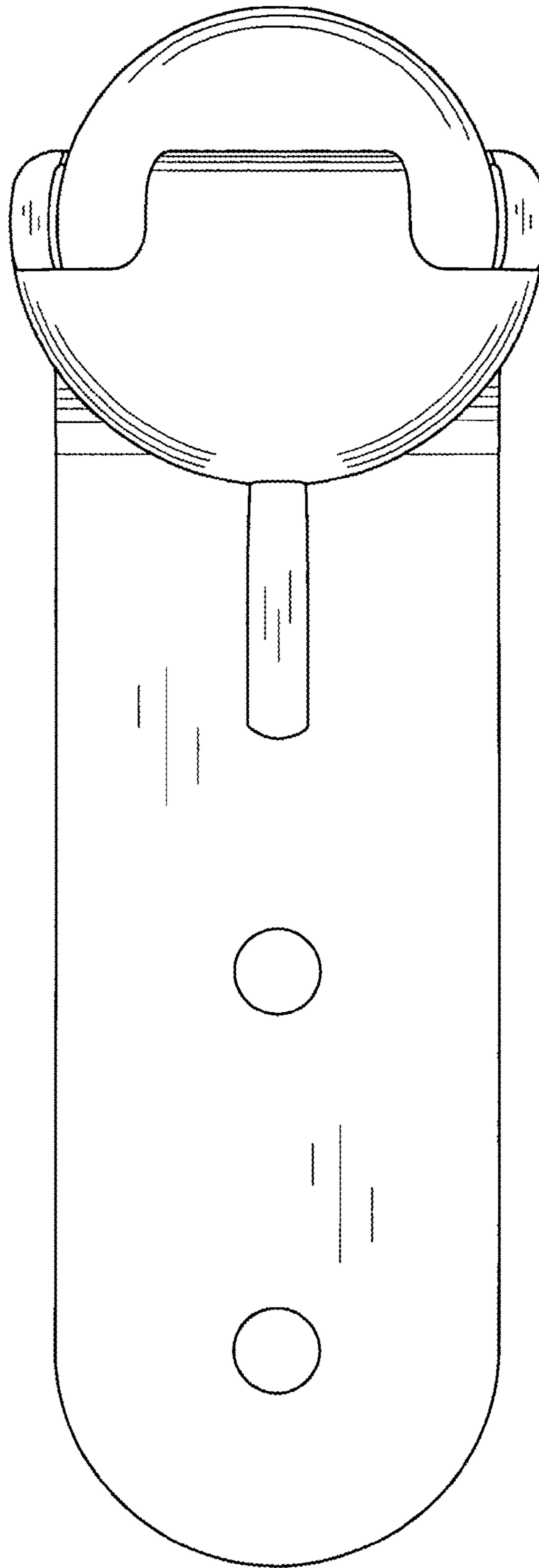


Fig. 2

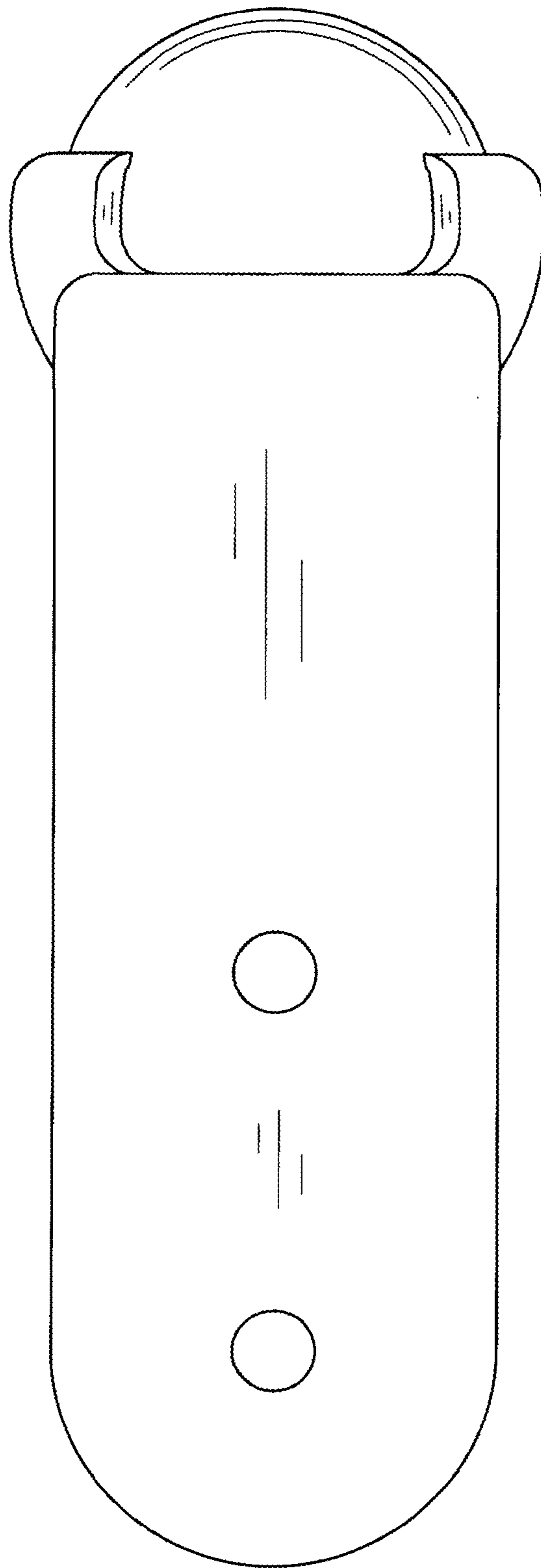


Fig. 3

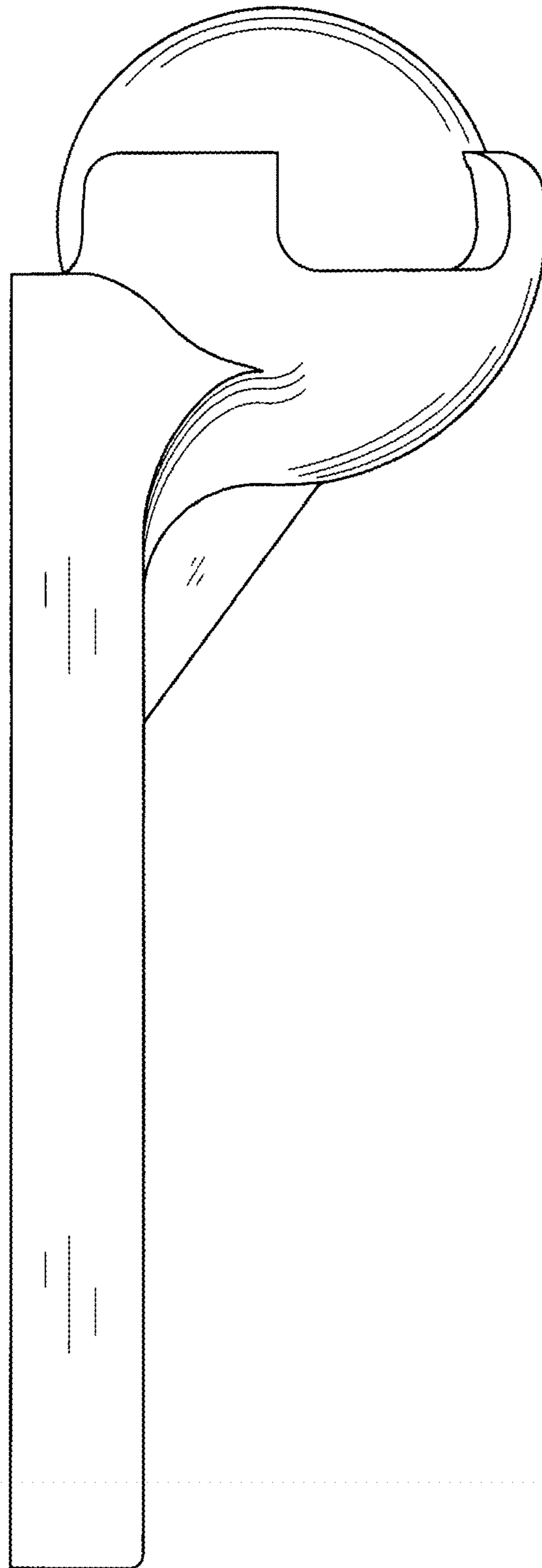


Fig. 4

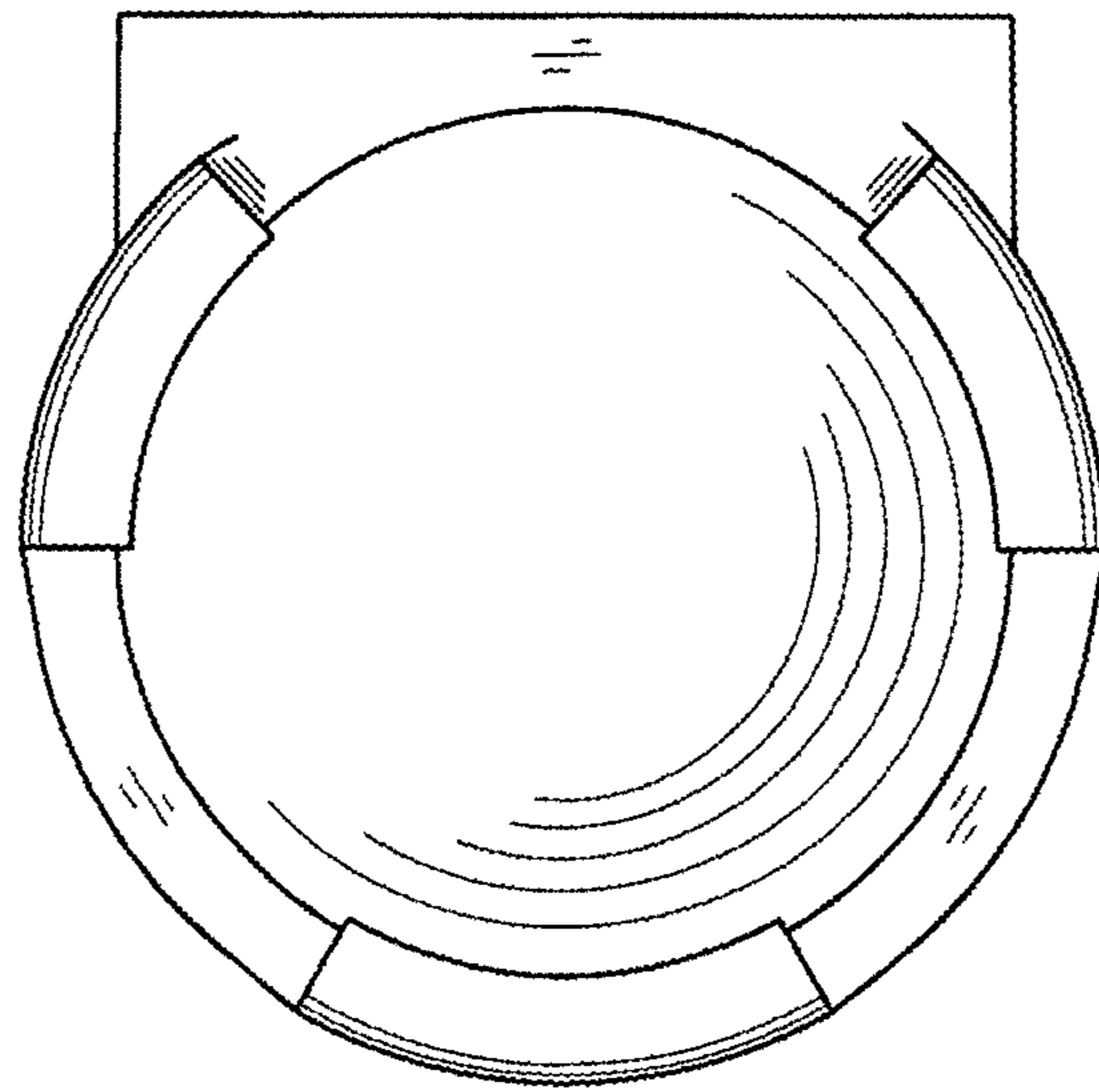


Fig. 5

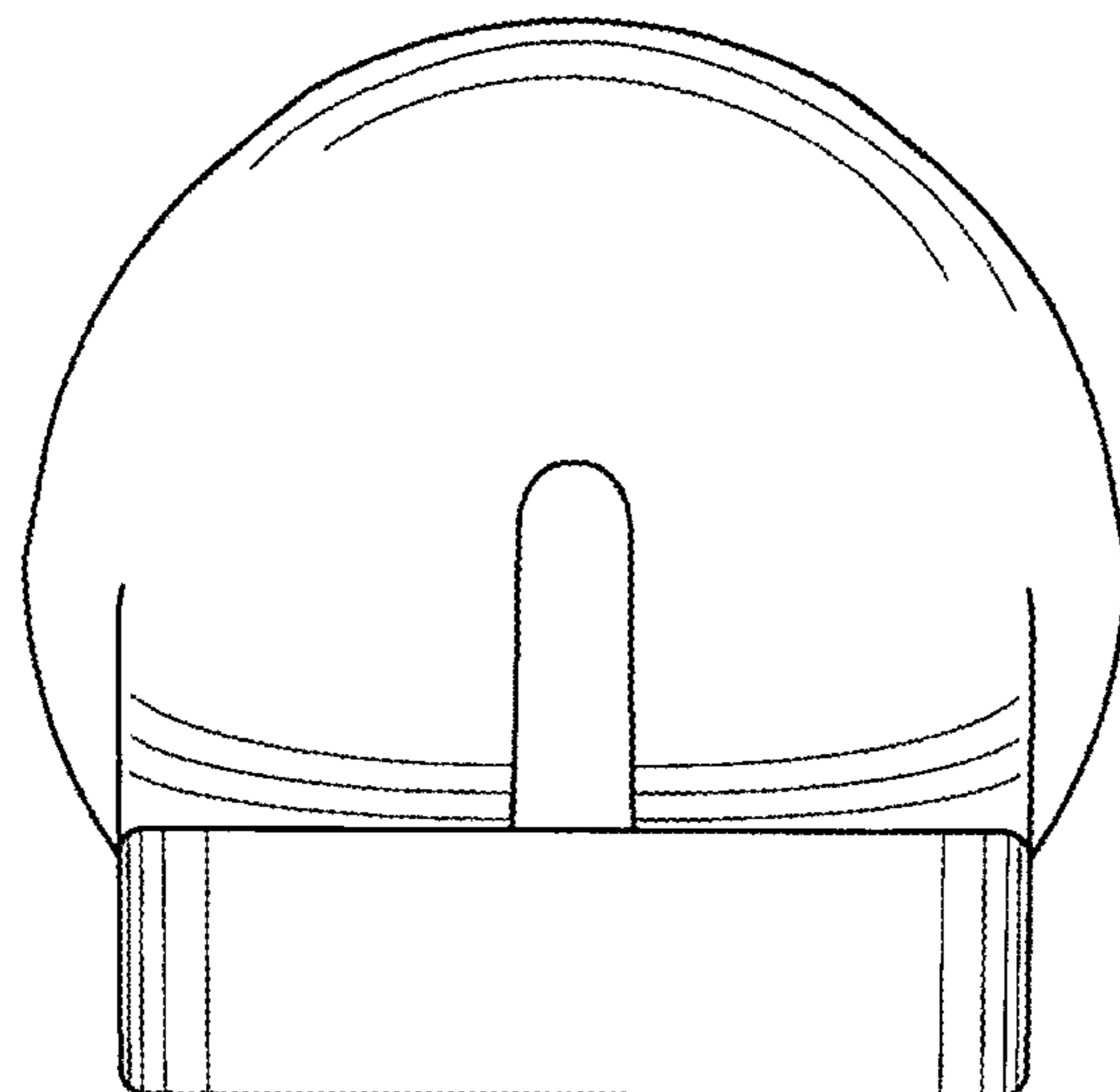


Fig. 6

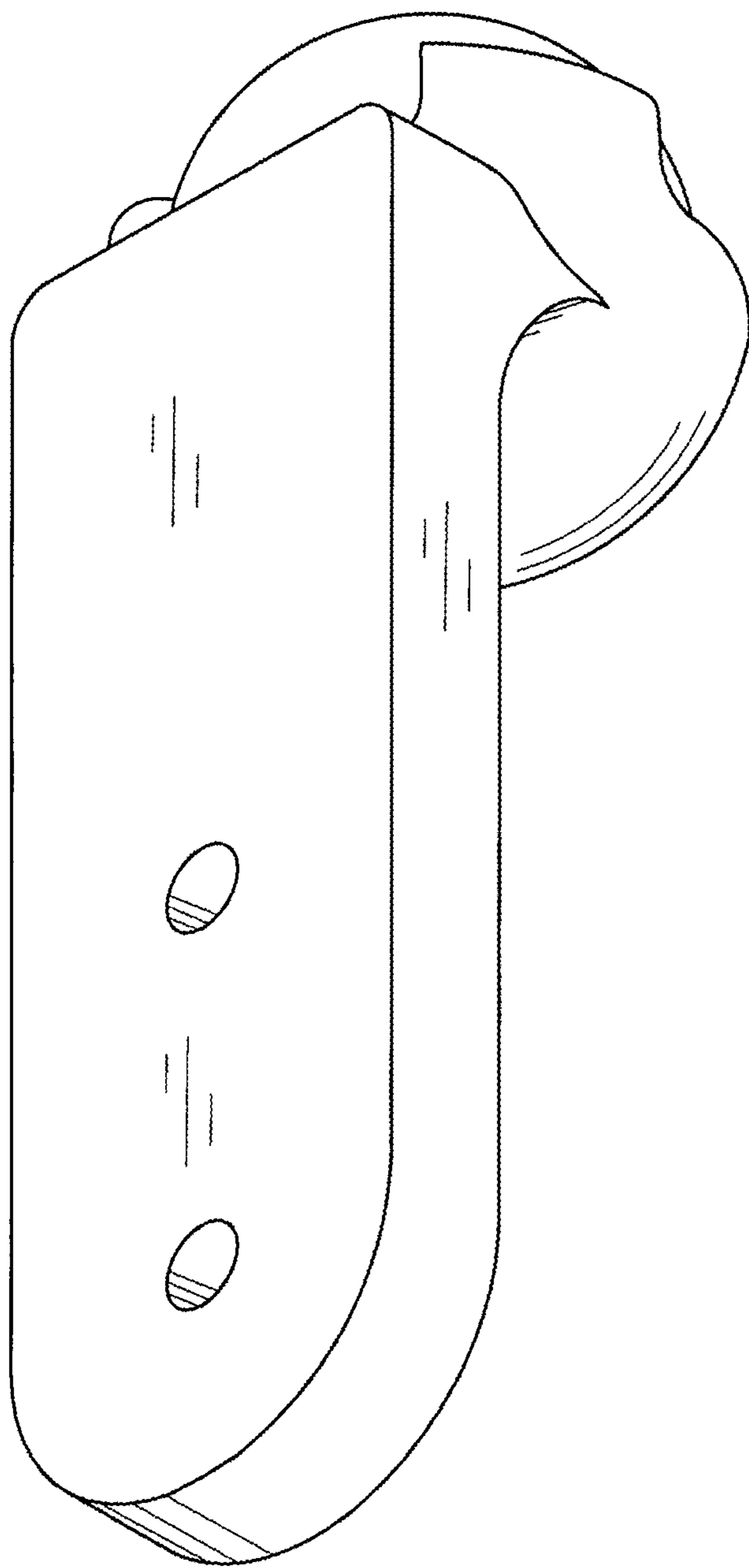


Fig. 7