



US00D765875S

(12) **United States Design Patent** (10) **Patent No.:** **US D765,875 S**
Hasegawa et al. (45) **Date of Patent:** **** Sep. 6, 2016**

(54) **REAGENT SET**

(71) Applicant: **Sysmex Corporation**, Kobe-shi, Hyogo (JP)

(72) Inventors: **Fuminari Hasegawa**, Kobe (JP); **Hiroyuki Ohashi**, Kobe (JP); **Shuji Nagai**, Mundelein, IL (US); **Ryo Ookubo**, Kawasaki (JP); **Yasuhiro Yamamoto**, Kawasaki (JP)

(73) Assignee: **SYSMEX CORPORATION**, Kobe (JP)

(**) Term: **14 Years**

(21) Appl. No.: **29/488,821**

(22) Filed: **Apr. 23, 2014**

(30) **Foreign Application Priority Data**

Oct. 25, 2013 (JP) 2013-024863

(51) **LOC (10) Cl.** **24-02**

(52) **U.S. Cl.**
USPC **D24/224**

(58) **Field of Classification Search**
USPC D24/216, 223–232, 121; 422/297, 300, 422/500, 547–566, 540, 63, 400, 68.1, 430; 211/85.13, 83; 396/647, 564, 198; D3/203.1–203.8, 315; 206/563, 219, 206/443, 564, 229; 215/6, 235; D9/423, D9/424, 455, 517, 524, 528, 743, 532; D18/43, 56; 220/23.83, 23.86; 436/43; 141/18

CPC B01L 3/50825; B01L 9/00; B01L 9/06; B01L 3/0234; B01L 3/502; B01L 3/08; B01F 13/0016; B01F 11/0022; B01F 13/002; B01F 5/0647; B01F 11/0002; B01J 19/0046; B65D 47/00; B65D 21/0237; B65D 1/04; B65D 1/40; B65D 25/2894; B65D 71/50; G01N 35/00; G03D 3/06

See application file for complete search history.

(56) **References Cited**

U.S. PATENT DOCUMENTS

| | | | | | | |
|-----------|----|---|---------|----------------|-------|---------------------------|
| D258,866 | S | * | 4/1981 | Houseman | | D9/528 |
| D292,267 | S | * | 10/1987 | Costa | | D9/524 |
| D292,268 | S | * | 10/1987 | Costa | | D9/524 |
| D292,373 | S | * | 10/1987 | Costa | | D9/524 |
| D297,166 | S | * | 8/1988 | Hollar | | D24/226 |
| 4,849,177 | A | * | 7/1989 | Jordan | | B01L 3/508 206/564 |
| D309,015 | S | * | 7/1990 | Fechtner | | D24/224 |
| 4,970,053 | A | * | 11/1990 | Fechtner | | B01L 3/508 422/566 |
| 5,022,547 | A | * | 6/1991 | Spangler | | B65D 21/0237 220/23.86 |
| D355,260 | S | * | 2/1995 | Tomasso | | D24/224 |
| D368,855 | S | * | 4/1996 | Triassi | | D9/528 |
| 5,578,272 | A | * | 11/1996 | Koch | | B01L 3/50825 422/547 |
| D400,263 | S | * | 10/1998 | Shugart | | D24/224 |
| 7,014,373 | B2 | * | 3/2006 | Piccinino, Jr. | | G03D 3/06 396/564 |
| D533,587 | S | * | 12/2006 | Andoh | | D18/56 |
| D541,175 | S | * | 4/2007 | Burns | | D9/743 |
| D543,867 | S | * | 6/2007 | Yourist | | D9/532 |

(Continued)

Primary Examiner — T. Chase Nelson

Assistant Examiner — Mark Cavanna

(74) *Attorney, Agent, or Firm* — Brinks Gilson & Lione

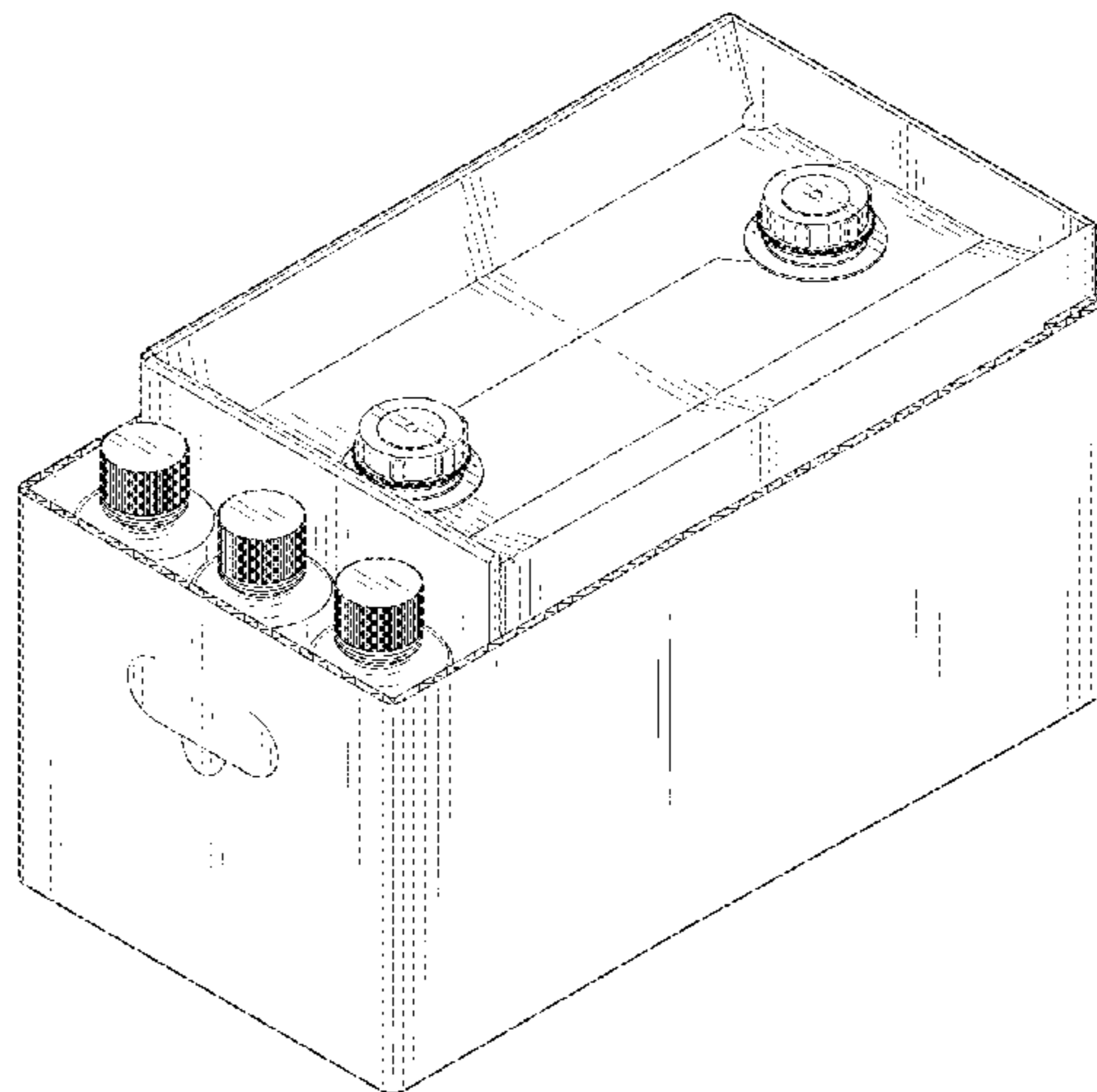
(57) **CLAIM**

We claim the ornamental design for a reagent set, as shown and described.

DESCRIPTION

FIG. 1 is a front and top perspective view of a reagent set of the present invention;
FIG. 2 is top view thereof;
FIG. 3 is a bottom view thereof;
FIG. 4 is a front view thereof;
FIG. 5 is a rear view thereof;
FIG. 6 is a first side view thereof; and,
FIG. 7 is a second side view thereof.

1 Claim, 6 Drawing Sheets



(56)

References Cited

U.S. PATENT DOCUMENTS

| | | | | | | | | | |
|----------------|--------|------------|-------|-------------------------|-------------------|---------|-------------|-------|-------------------------|
| 7,234,592 B2 * | 6/2007 | Ide | | B65D 1/40 206/229 | 2003/0044323 A1 * | 3/2003 | Diamond | | B01L 9/06 422/562 |
| D577,443 S * | 9/2008 | Parmer | | D24/224 | 2004/0241864 A1 * | 12/2004 | Sattler | | B01L 3/50825 436/43 |
| D630,765 S * | 1/2011 | Winkenbach | | D24/224 | 2005/0142040 A1 * | 6/2005 | Hanawa | | B01L 3/08 422/400 |
| D632,402 S * | 2/2011 | Sattler | | D24/224 | 2005/0175338 A1 * | 8/2005 | Ide | | G03D 3/06 396/647 |
| D637,731 S * | 5/2011 | Sattler | | D24/224 | 2007/0267378 A1 * | 11/2007 | Piccinino | | B65D 1/04 215/6 |
| 8,726,945 B2 * | 5/2014 | Sand | | B65D 25/2894 141/18 | 2008/0192567 A1 * | 8/2008 | Vincent | | B01F 11/0002 366/198 |
| 8,728,413 B2 * | 5/2014 | Talmer | | B01F 11/0002 422/550 | 2011/0014095 A1 | 1/2011 | Ueda et al. | | |
| 8,926,921 B2 * | 1/2015 | Rousseau | | B65D 71/50 422/430 | | | | | |

* cited by examiner

FIG. 1

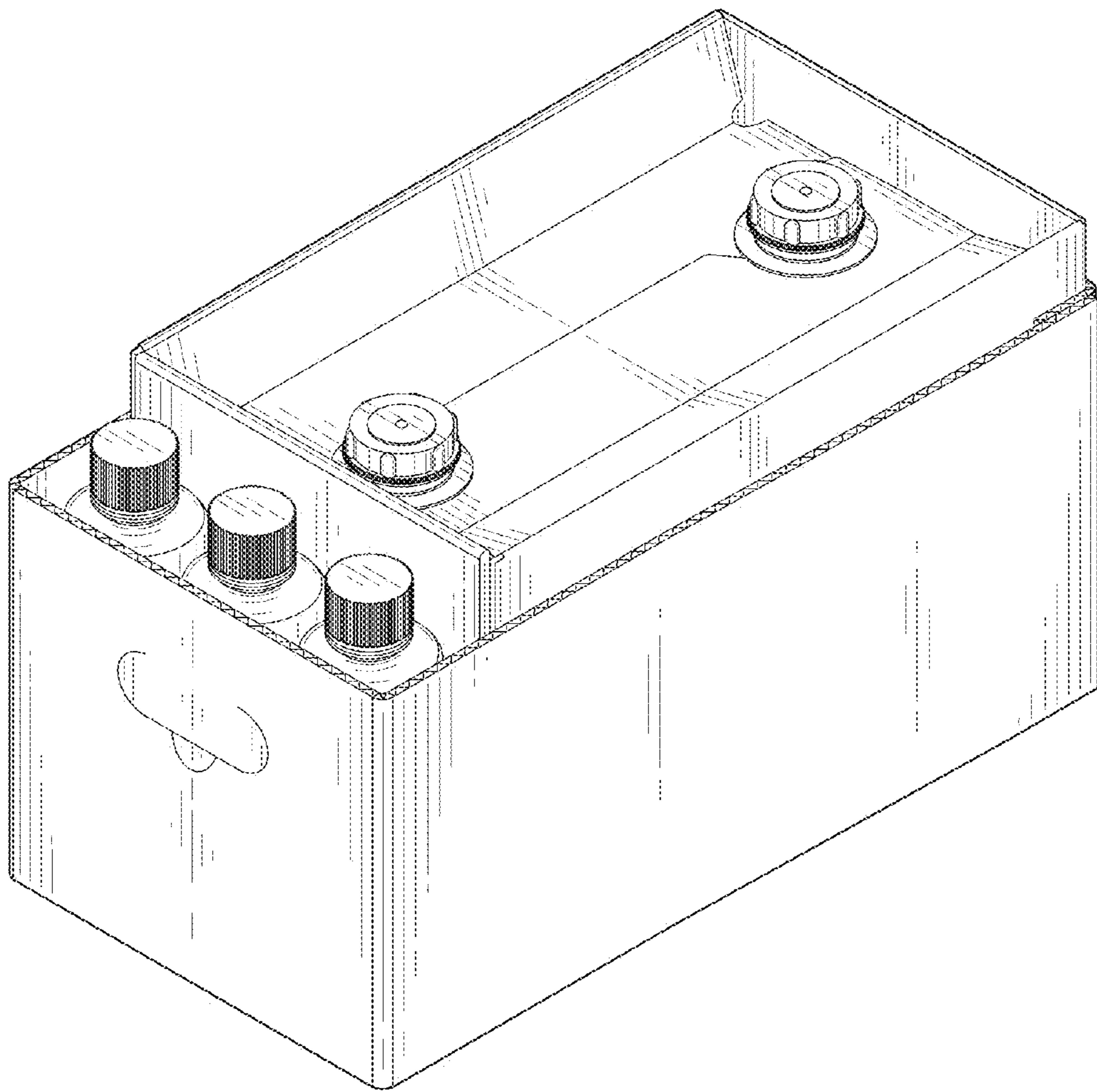


FIG. 2

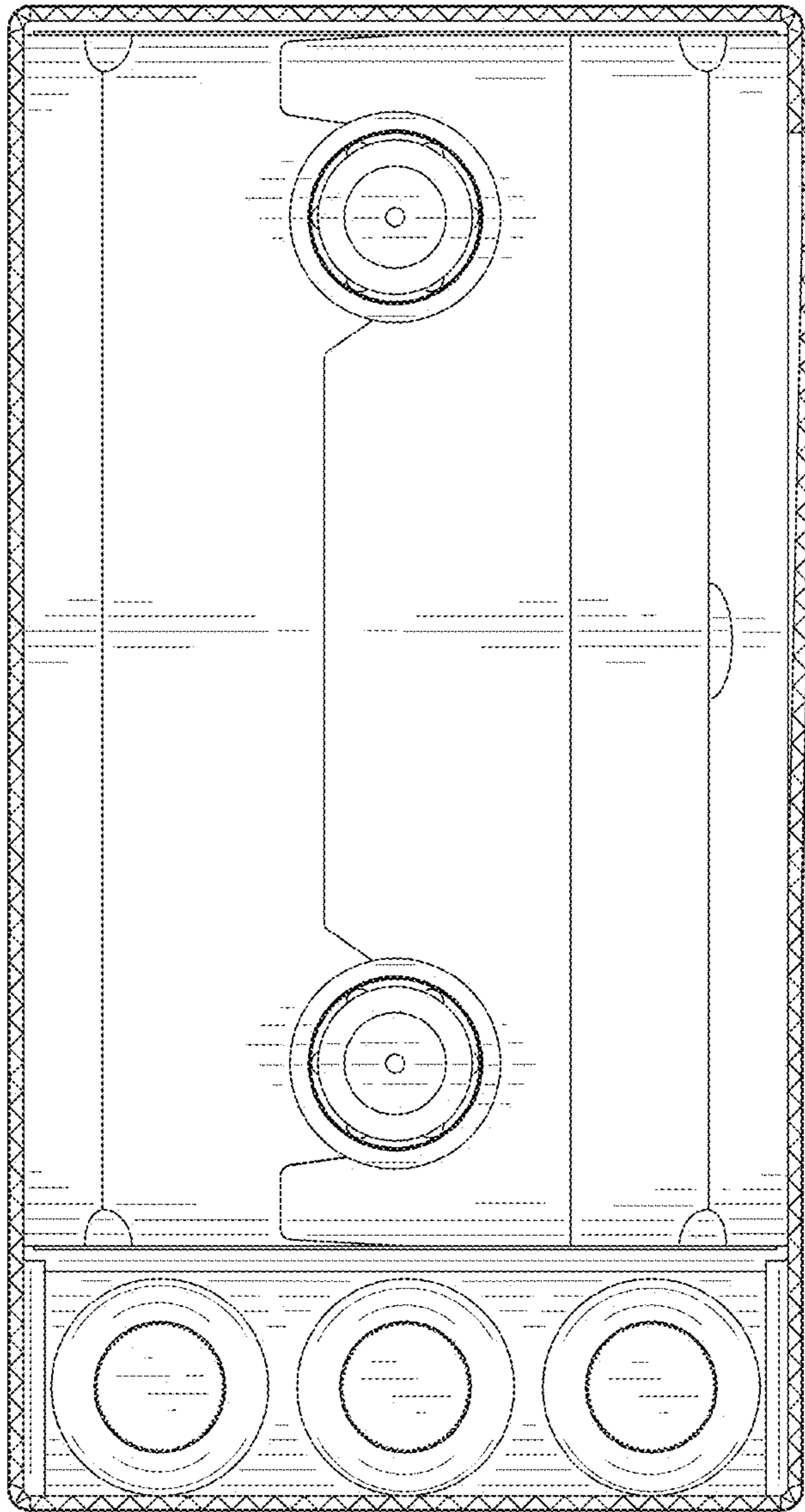


FIG. 3

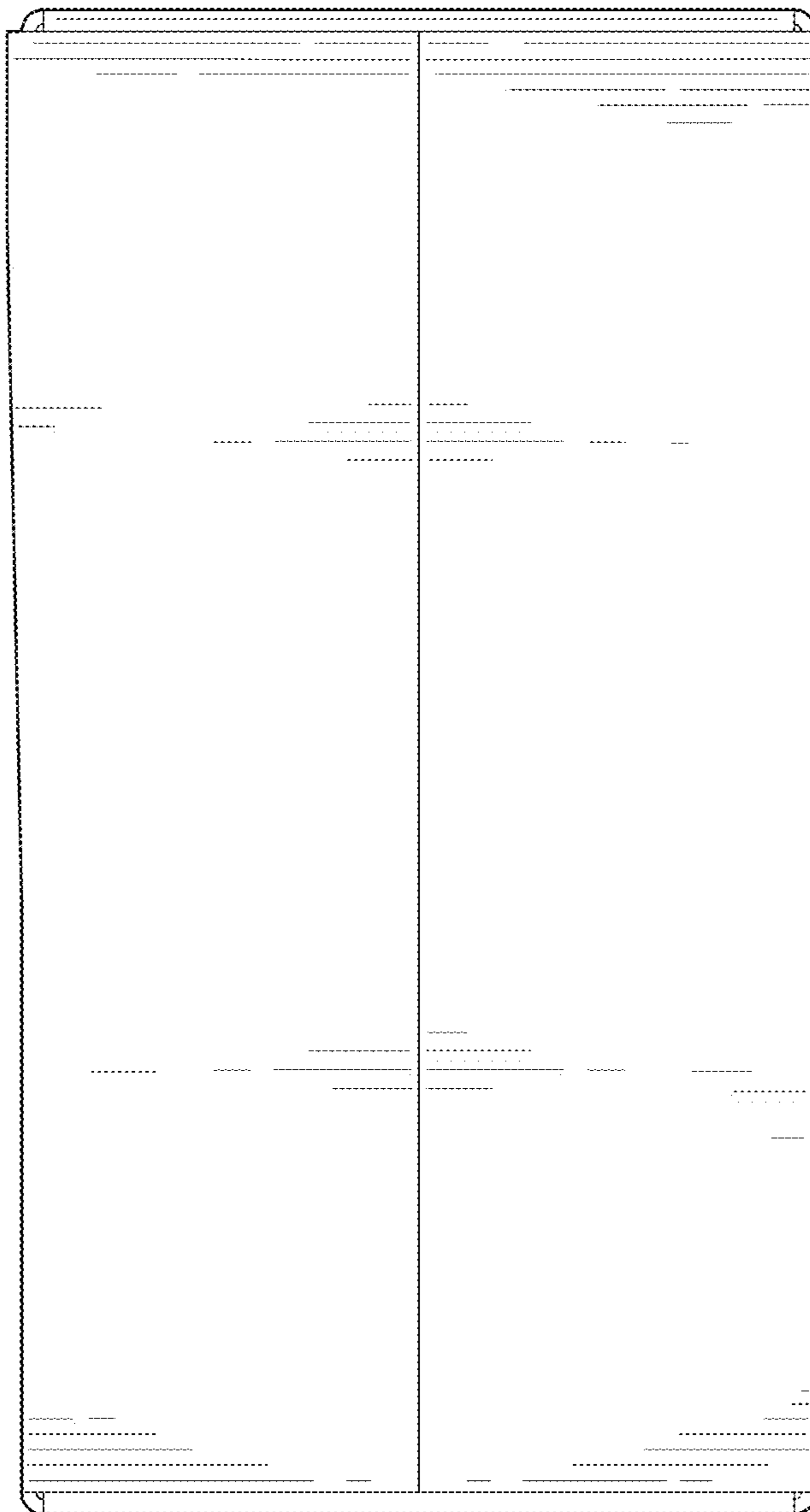


FIG. 4

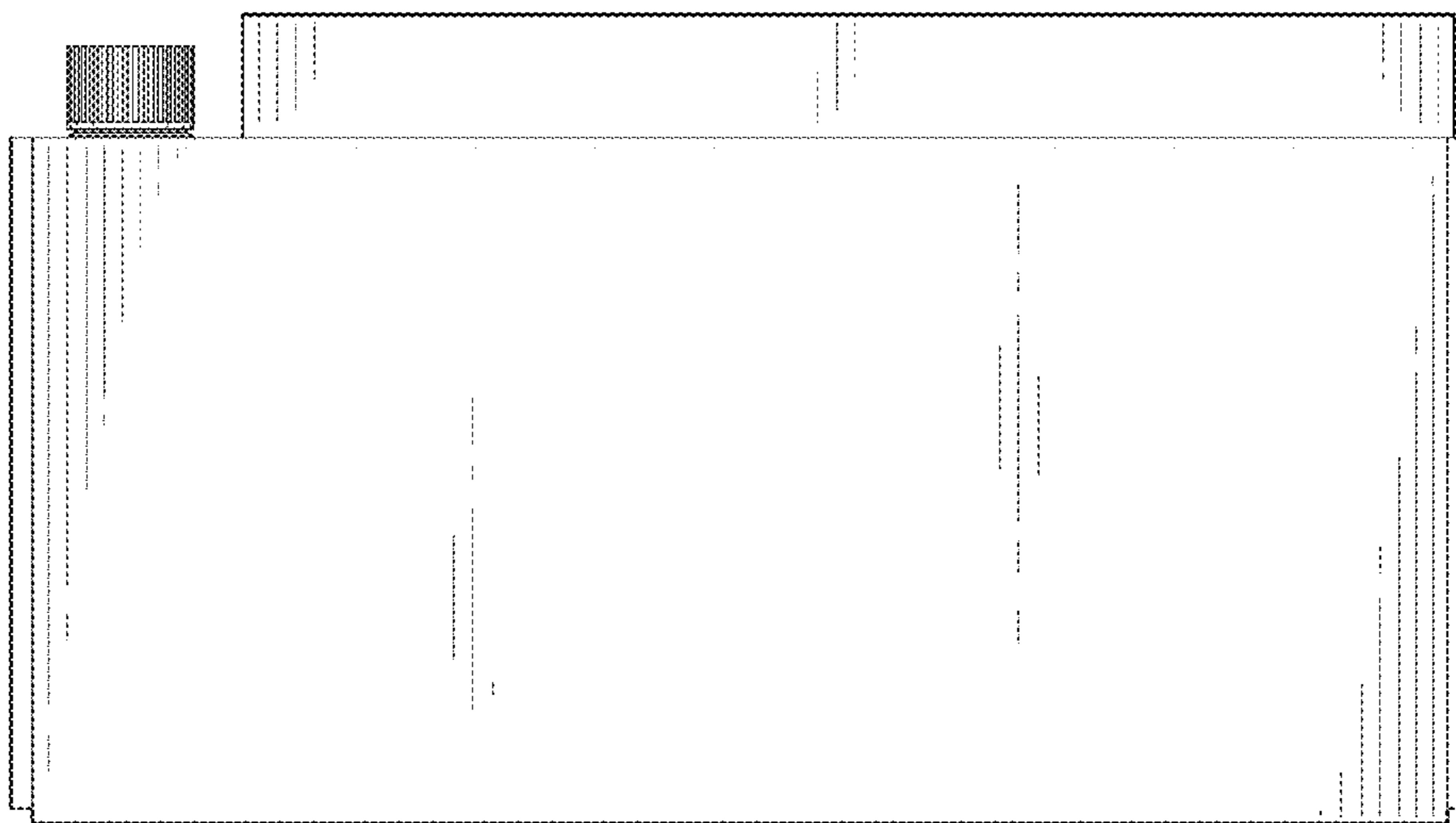


FIG. 5

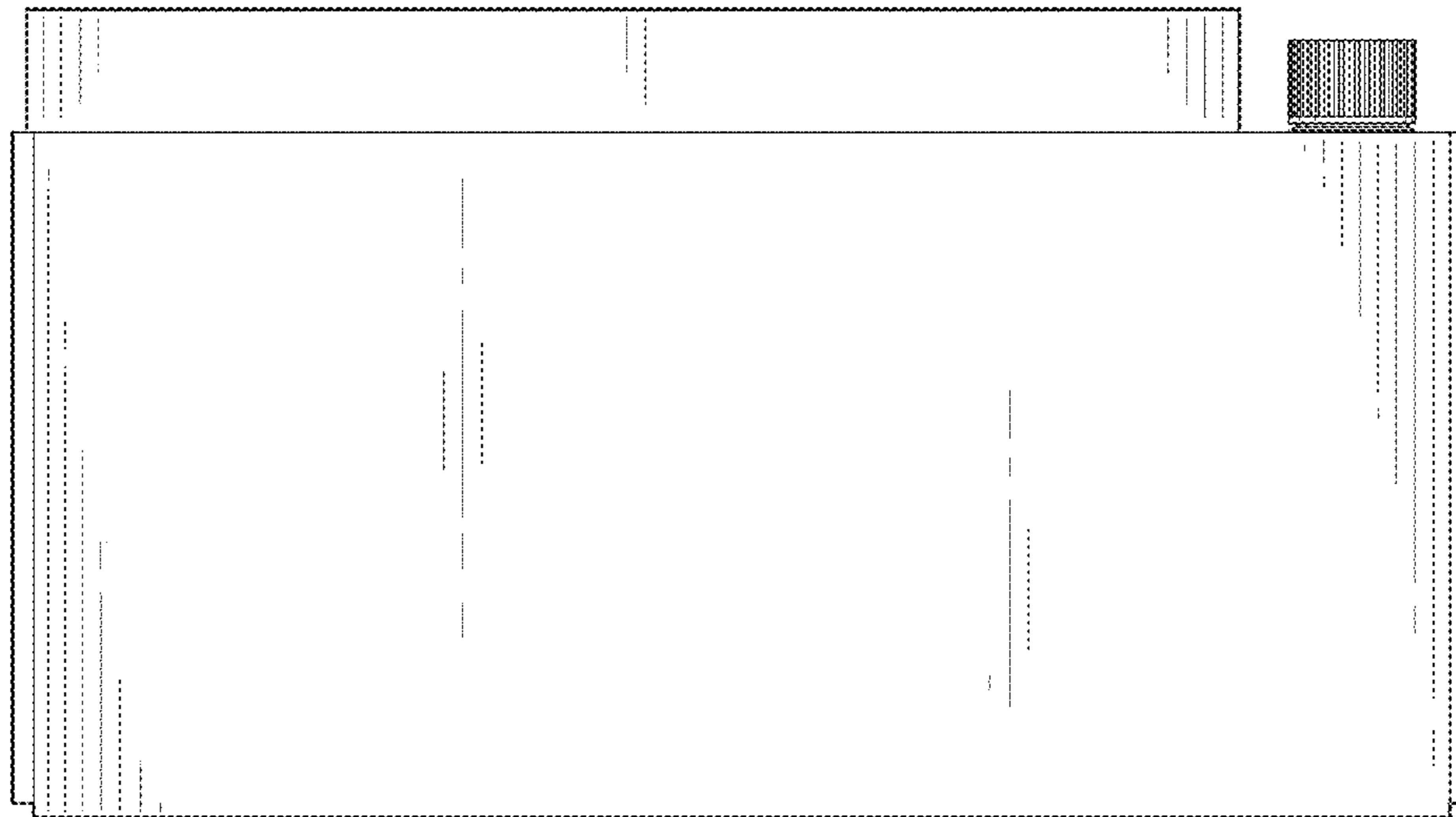


FIG. 6

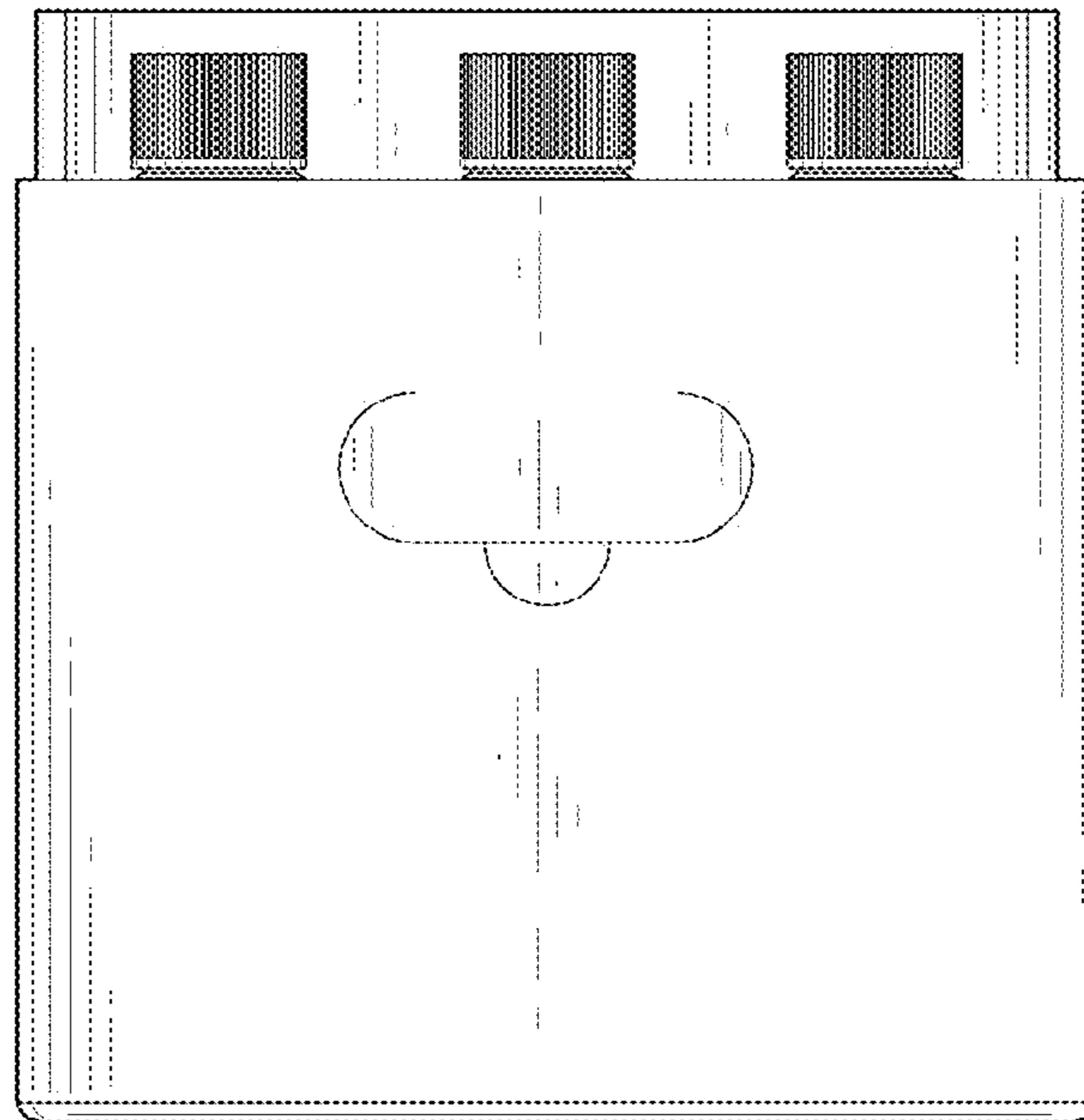


FIG. 7

