



US00D765874S

(12) **United States Design Patent** (10) **Patent No.:** **US D765,874 S**  
**Judson et al.** (45) **Date of Patent:** **\*\* Sep. 6, 2016**

(54) **TRANSPORTER FOR A TISSUE TRANSPORT SYSTEM**

D733,906 S \* 7/2015 Oonuma ..... D24/216  
 2012/0301952 A1\* 11/2012 Anderson ..... A01N 1/0247  
 435/284.1  
 2014/0169926 A1\* 6/2014 Henderson ..... A01N 1/0273  
 414/800

(71) Applicant: **Paragonix Technologies, Inc.**, Braintree, MA (US)

\* cited by examiner

(72) Inventors: **Jared Alden Judson**, Medford, MA (US); **William Edelman**, Sharon, MA (US); **Gerd Schmieta**, Boston, MA (US); **Lisa Maria Anderson**, Boston, MA (US)

*Primary Examiner* — Anhdao Doan  
(74) *Attorney, Agent, or Firm* — Brown Rudnick LLP; Thomas C. Meyers

(73) Assignee: **Paragonix Technologies, Inc.**, Braintree, MA (US)

(57) **CLAIM**  
The ornamental design for a transporter for a tissue transport system, as shown and described.

(\*\*) Term: **14 Years**

**DESCRIPTION**

(21) Appl. No.: **29/504,910**

(22) Filed: **Oct. 10, 2014**

(51) **LOC (10) Cl.** ..... **24-01**

(52) **U.S. Cl.**  
USPC ..... **D24/216**

(58) **Field of Classification Search**  
USPC ..... D24/216, 224, 227, 231, 232, 107;  
D9/445, 443, 454; D7/605, 608  
CPC ..... A01N 1/0273; A01N 1/0247; A01N  
1/0268; A01N 1/02  
See application file for complete search history.

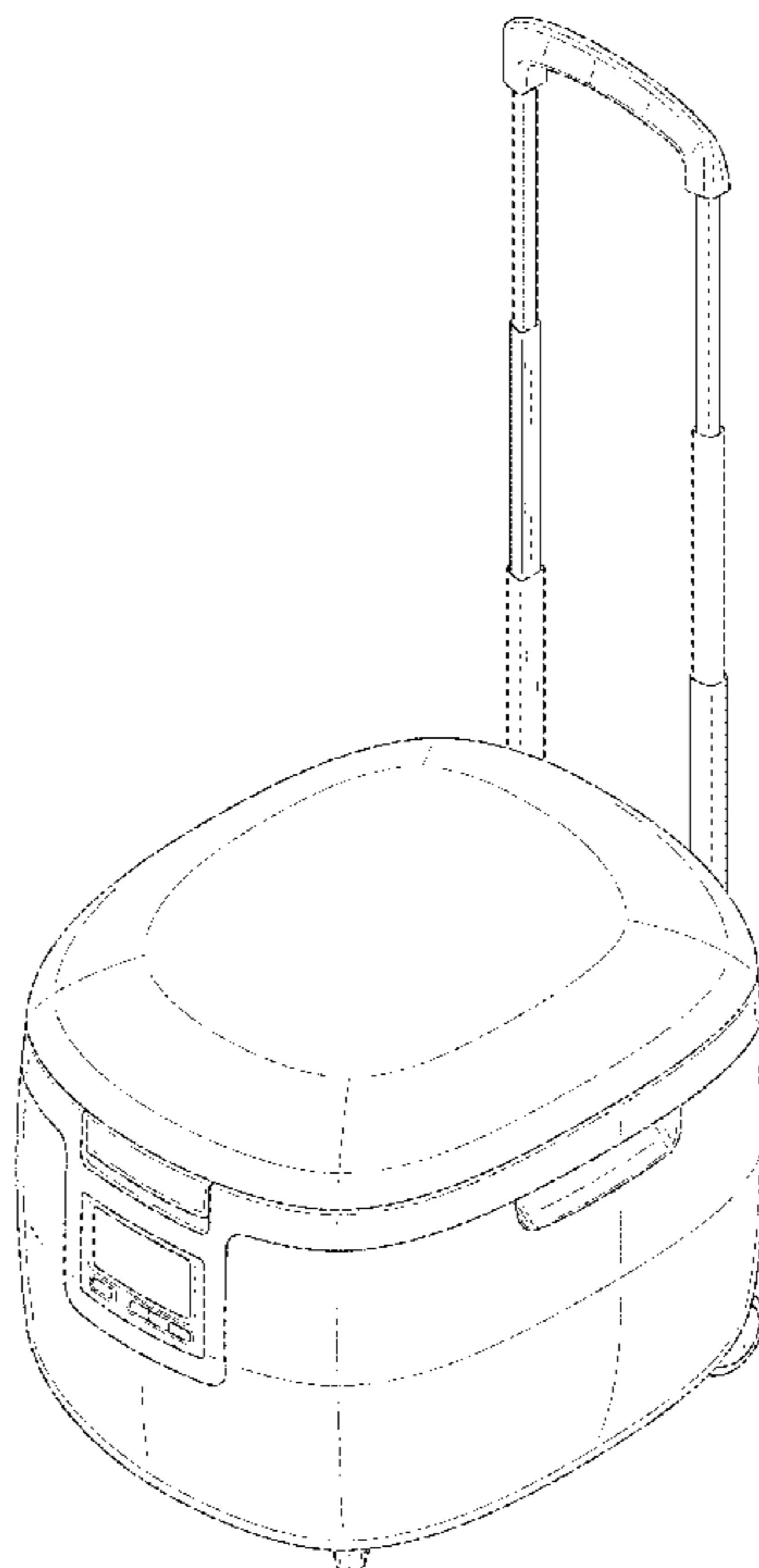
FIG. 1 illustrates a top front perspective view of a transporter for a tissue transport system;  
 FIG. 2 illustrates a top rear perspective view of the transporter of FIG. 1;  
 FIG. 3 illustrates a front view of the transporter of FIG. 1;  
 FIG. 4 illustrates a rear view of the transporter of FIG. 1;  
 FIG. 5 illustrates a right side view of the transporter of FIG. 1;  
 FIG. 6 illustrates a left side view of the transporter of FIG. 1;  
 FIG. 7 illustrates a top view of the transporter of FIG. 1;  
 FIG. 8 illustrates a bottom view of the transporter of FIG. 1; and,  
 FIG. 9 illustrates a rear view of the transporter of FIG. 1, wherein the handle of the transporter is partially extended. The broken lines are included for the purpose of illustrating unclaimed portions of the transporter and form no part of the claimed design.

(56) **References Cited**

U.S. PATENT DOCUMENTS

D351,318 S \* 10/1994 Wedi ..... D7/605  
 D470,594 S \* 2/2003 Brassil ..... D24/107  
 D642,697 S \* 8/2011 Gafvert ..... D24/216  
 D664,261 S \* 7/2012 Kravitz ..... D24/107

**1 Claim, 9 Drawing Sheets**



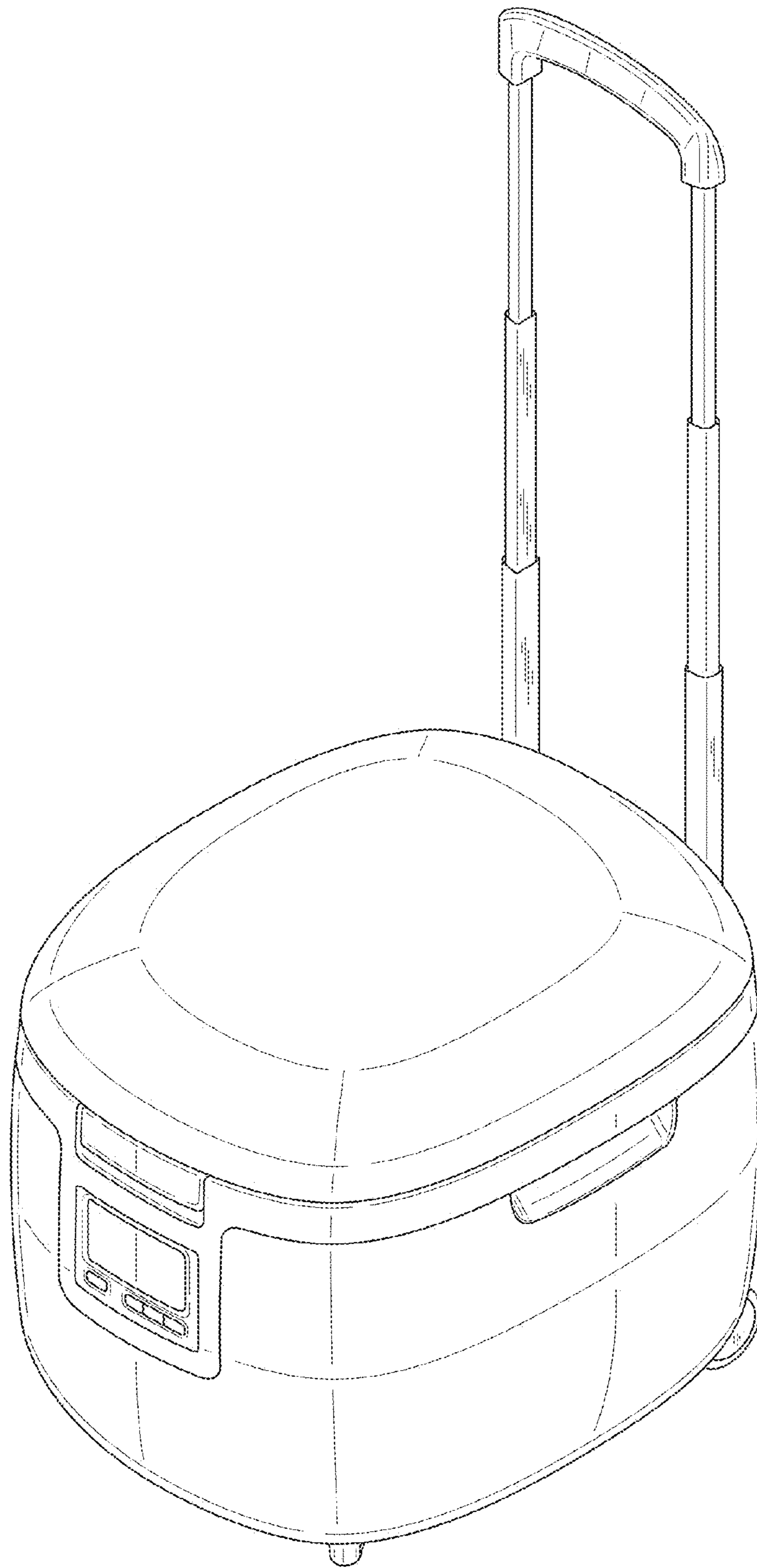


FIG.1

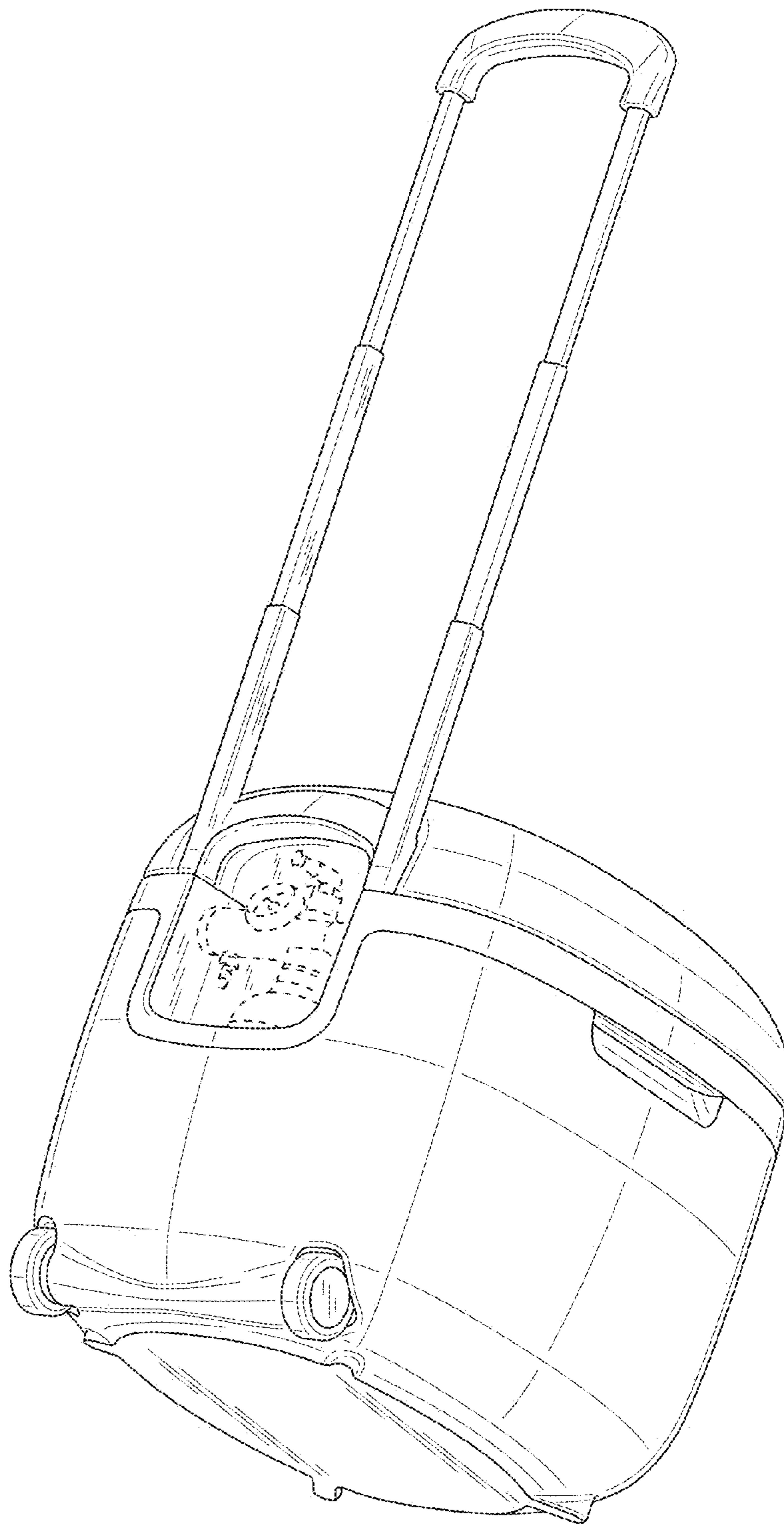


FIG.2

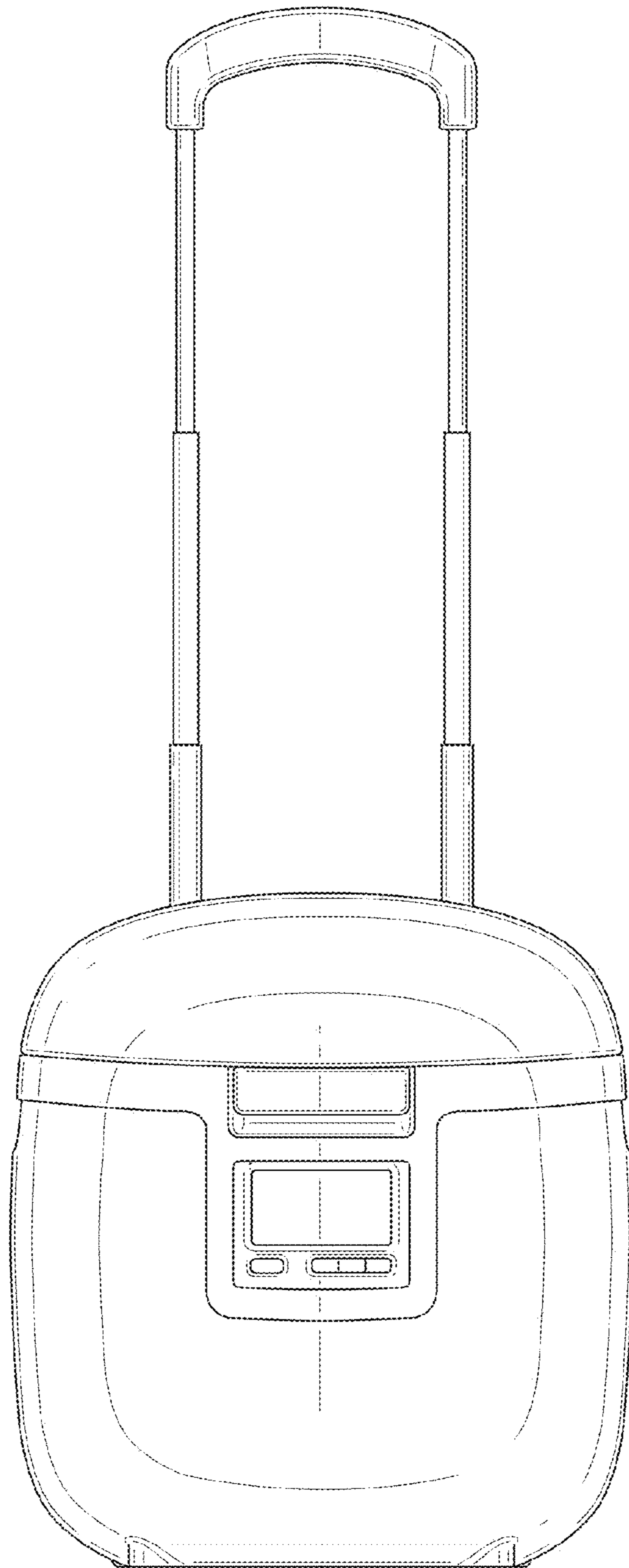


FIG.3

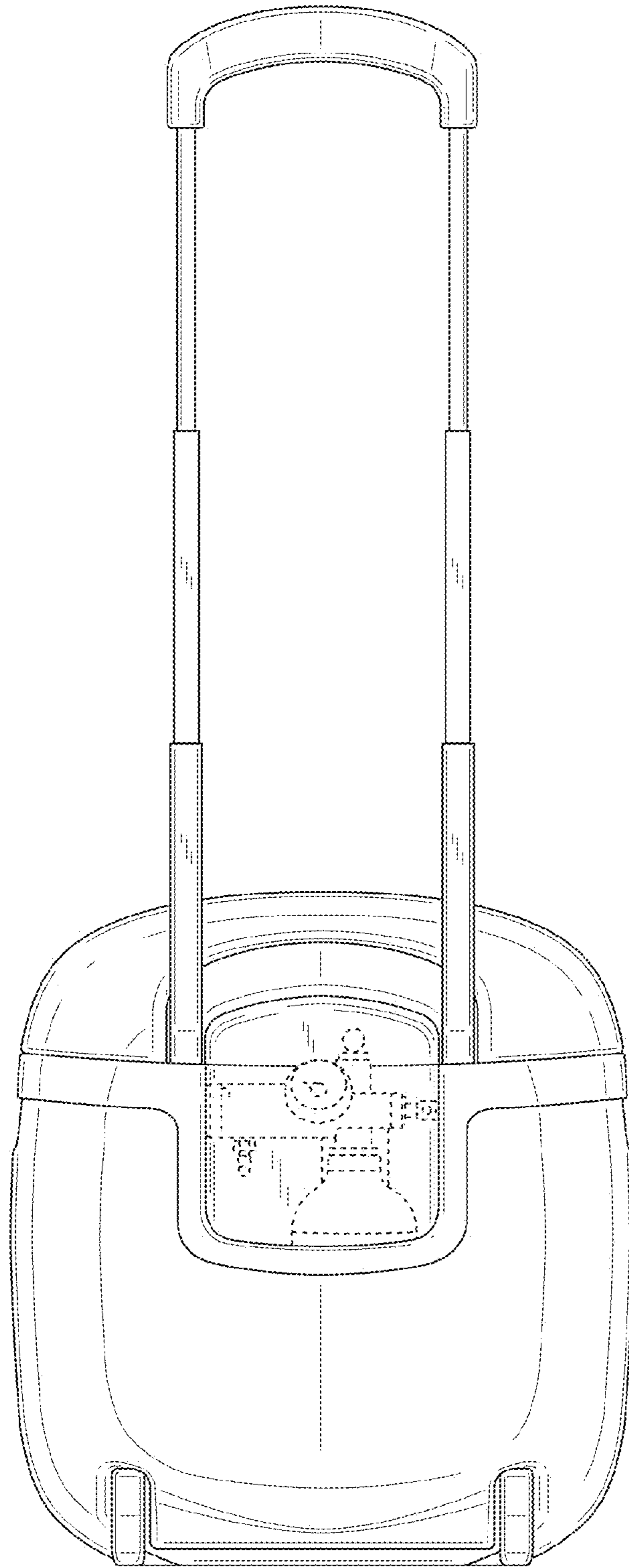


FIG.4

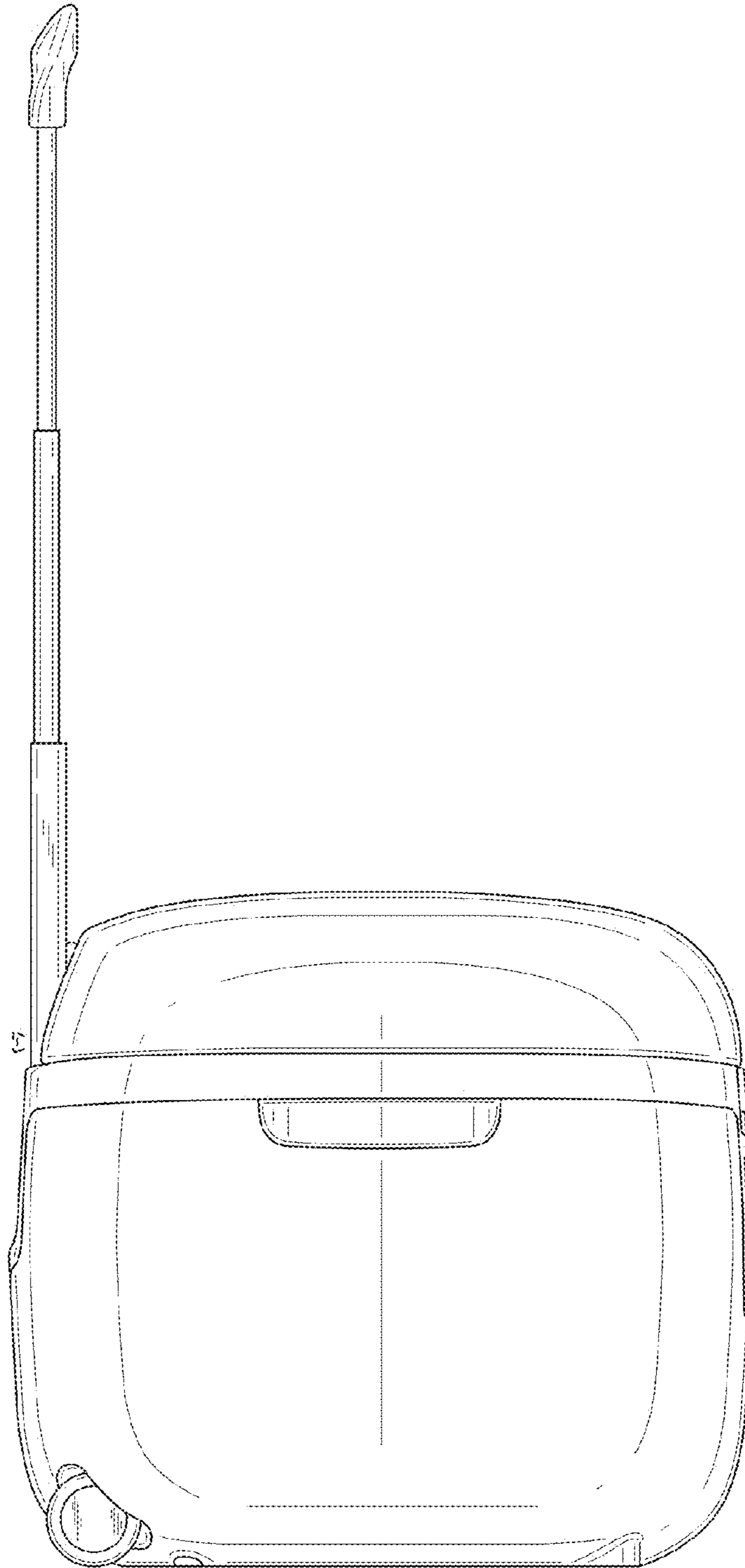


FIG.5

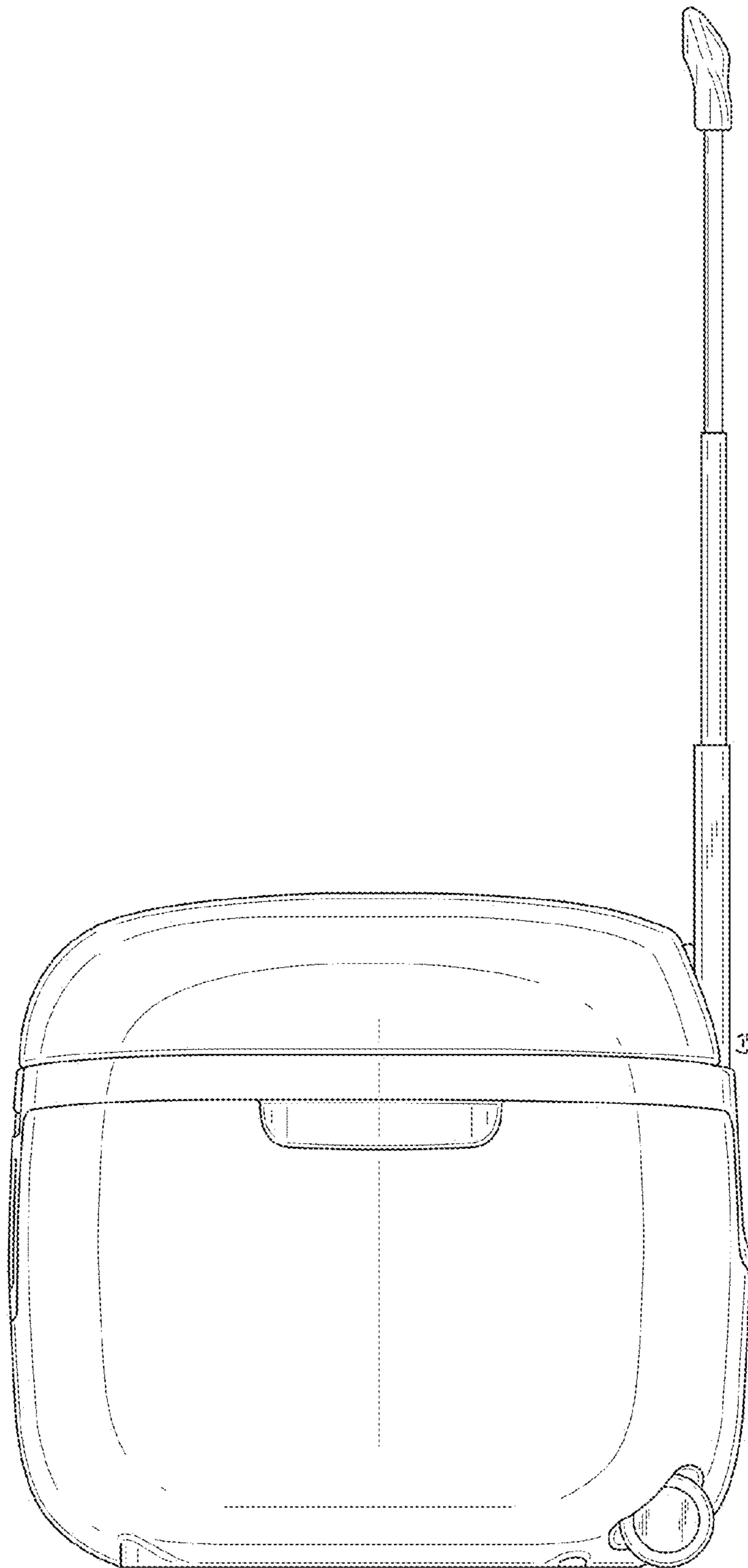


FIG.6

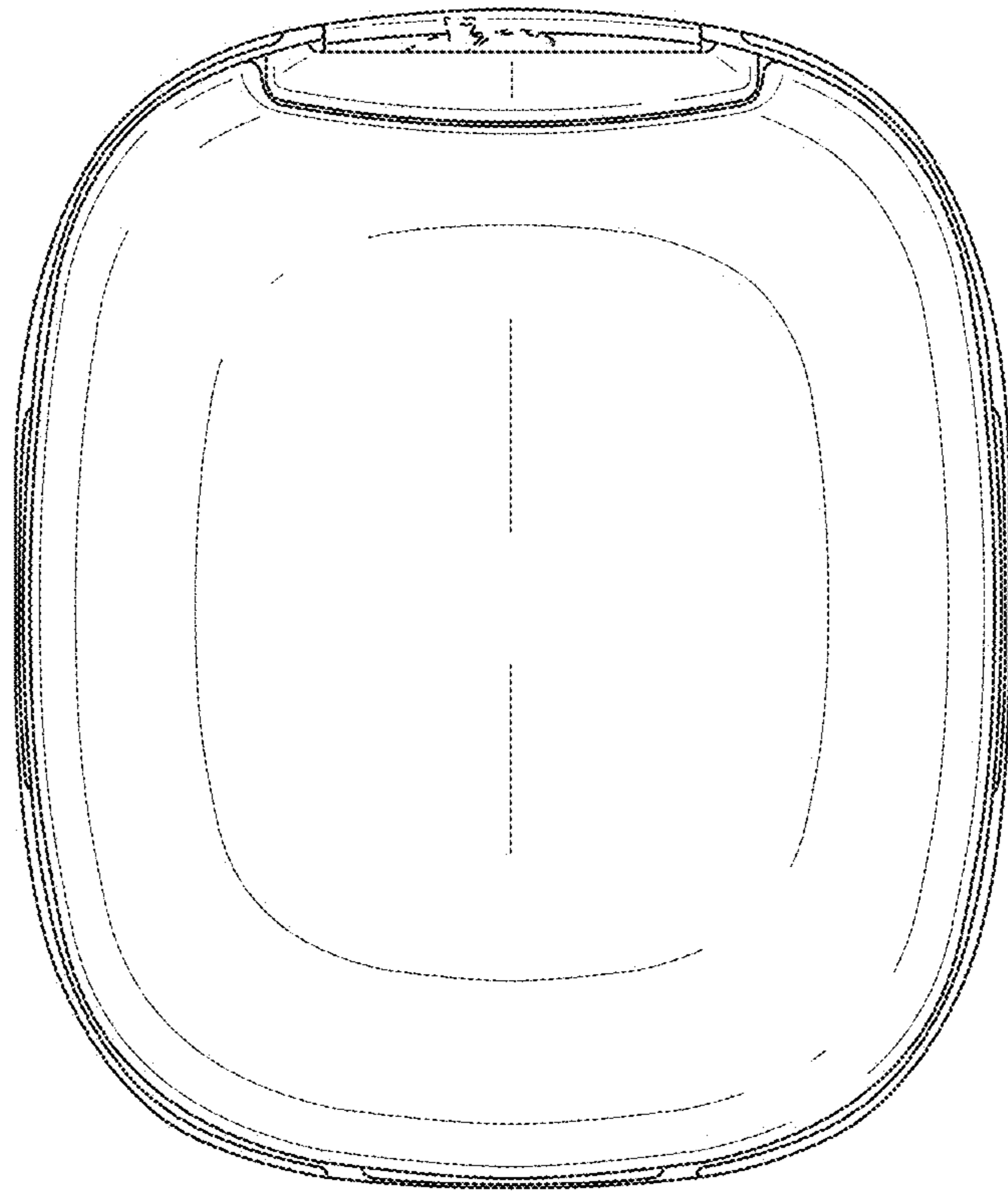


FIG. 7



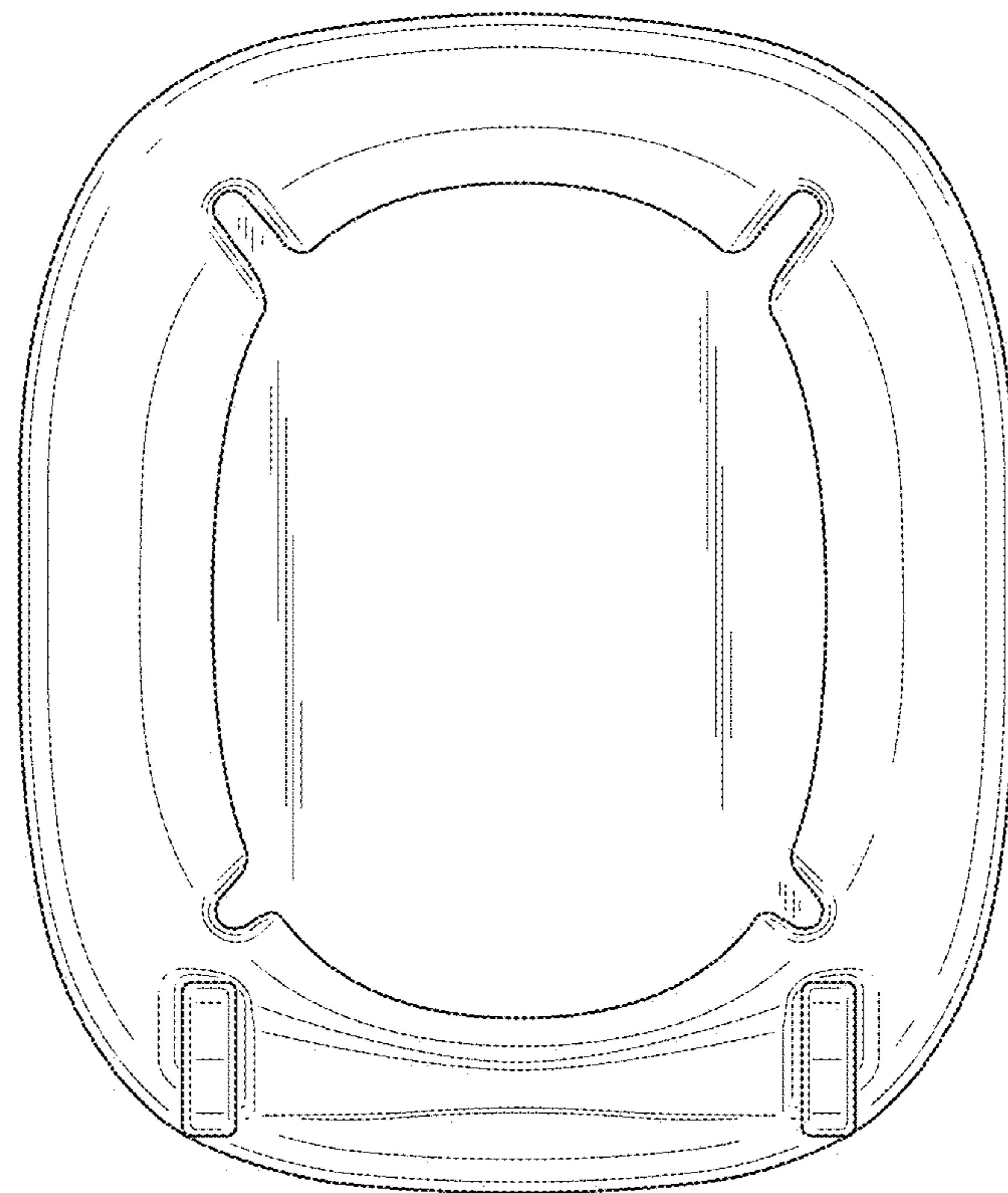


FIG. 8

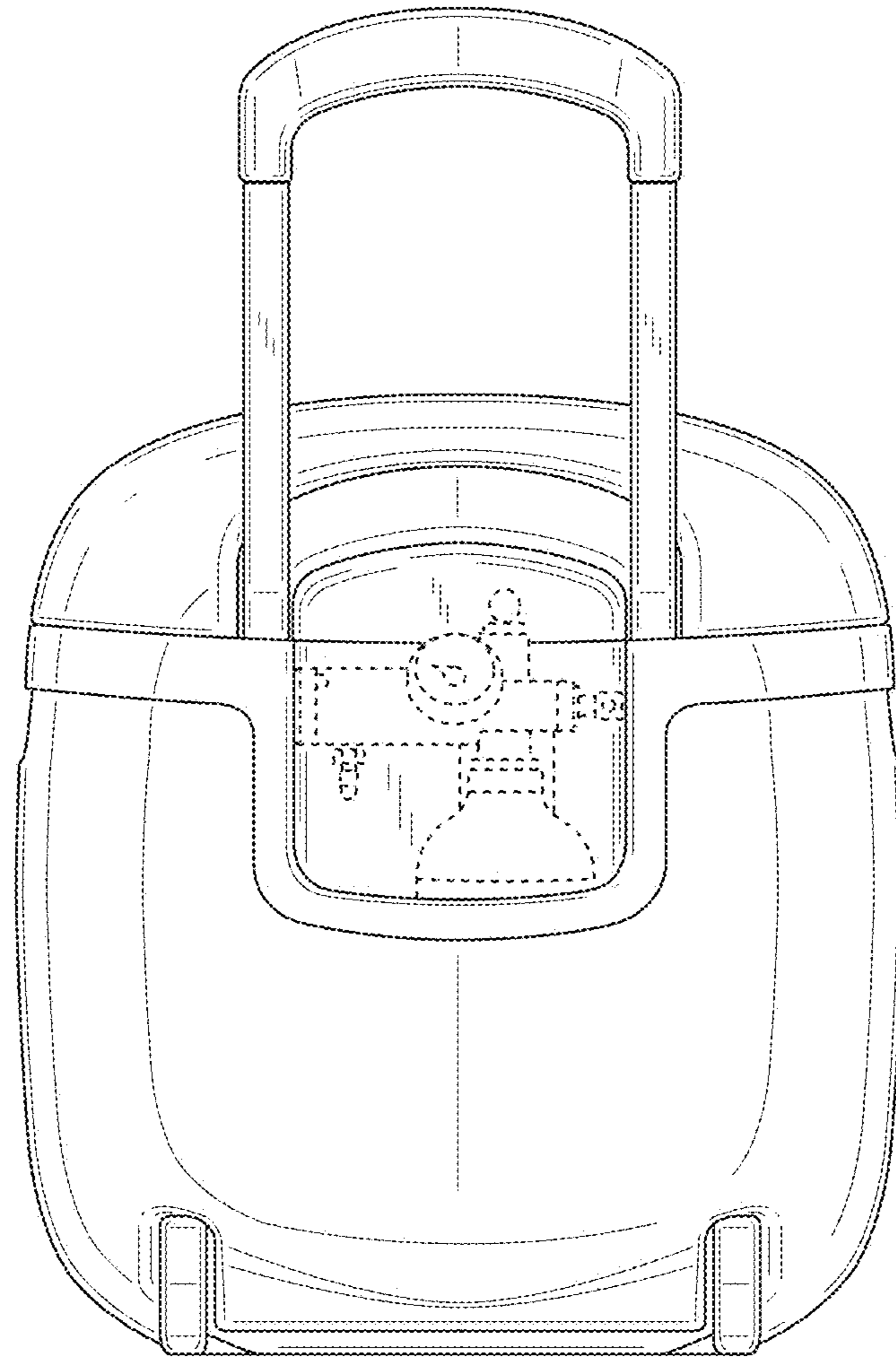


FIG.9