



US00D765873S

(12) **United States Design Patent**  
**Hetzel**

(10) **Patent No.:** **US D765,873 S**

(45) **Date of Patent:** **\*\* Sep. 6, 2016**

(54) **MESSAGE THERAPY DEVICE**

(71) Applicant: **John Hetzel**, Fairview Heights, IL (US)

(72) Inventor: **John Hetzel**, Fairview Heights, IL (US)

(\*\*) Term: **15 Years**

(21) Appl. No.: **29/546,050**

(22) Filed: **Nov. 18, 2015**

(51) **LOC (10) Cl.** ..... **28-03**

(52) **U.S. Cl.**  
USPC ..... **D24/214**

(58) **Field of Classification Search**  
USPC ..... D24/200, 211, 212, 213, 214, 215;  
601/19, 27-32, 46, 48, 52, DIG. 12,  
601/DIG. 14, DIG. 15, DIG. 16, DIG. 17, 99,  
601/112, 113, 118, 119, 120, 121;  
D30/160; D14/218; D11/26  
CPC ..... A61H 19/30; A61H 19/32; A61H 19/34;  
A61H 19/40; A61H 19/44; A61H 19/50;  
A61H 19/00; A61H 2201/0153; A61H  
2201/0207; A61H 2201/0263; A61H  
2201/0111; A61H 2201/1253; A61H  
2205/082; A61H 2205/085; A61H 15/0085;  
A61H 15/0092

See application file for complete search history.

(56) **References Cited**

**U.S. PATENT DOCUMENTS**

D319,105 S \* 8/1991 Cheng ..... D24/215  
D378,539 S \* 3/1997 Scott ..... D24/211  
D403,076 S \* 12/1998 York ..... D24/211  
D454,644 S \* 3/2002 York ..... D24/214

D469,880 S \* 2/2003 York ..... D24/214  
D502,264 S \* 2/2005 Timmer ..... D24/211  
D507,057 S \* 7/2005 Timmer ..... D24/211  
D535,752 S \* 1/2007 Smith ..... D24/214  
D569,005 S \* 5/2008 York ..... D24/214  
D667,131 S \* 9/2012 Faussett ..... D24/215  
D691,279 S \* 10/2013 Hane-Karr ..... D24/211  
D700,974 S \* 3/2014 Taalman ..... D24/215  
D726,028 S \* 4/2015 Thompson ..... D28/7  
2015/0223970 A1 \* 8/2015 Holland ..... A61H 15/00  
601/19

\* cited by examiner

*Primary Examiner* — Sandra Snapp

(74) *Attorney, Agent, or Firm* — Woodard, Emhardt,  
Moriarty, McNett & Henry LLP

(57) **CLAIM**

The ornamental design for a massage therapy device, as shown and described.

**DESCRIPTION**

FIG. 1 is a perspective top view of the massage therapy device.

FIG. 2 is a front view of the massage therapy device, the side and rear views are mirror images.

FIG. 3 is a top view of the massage therapy device.

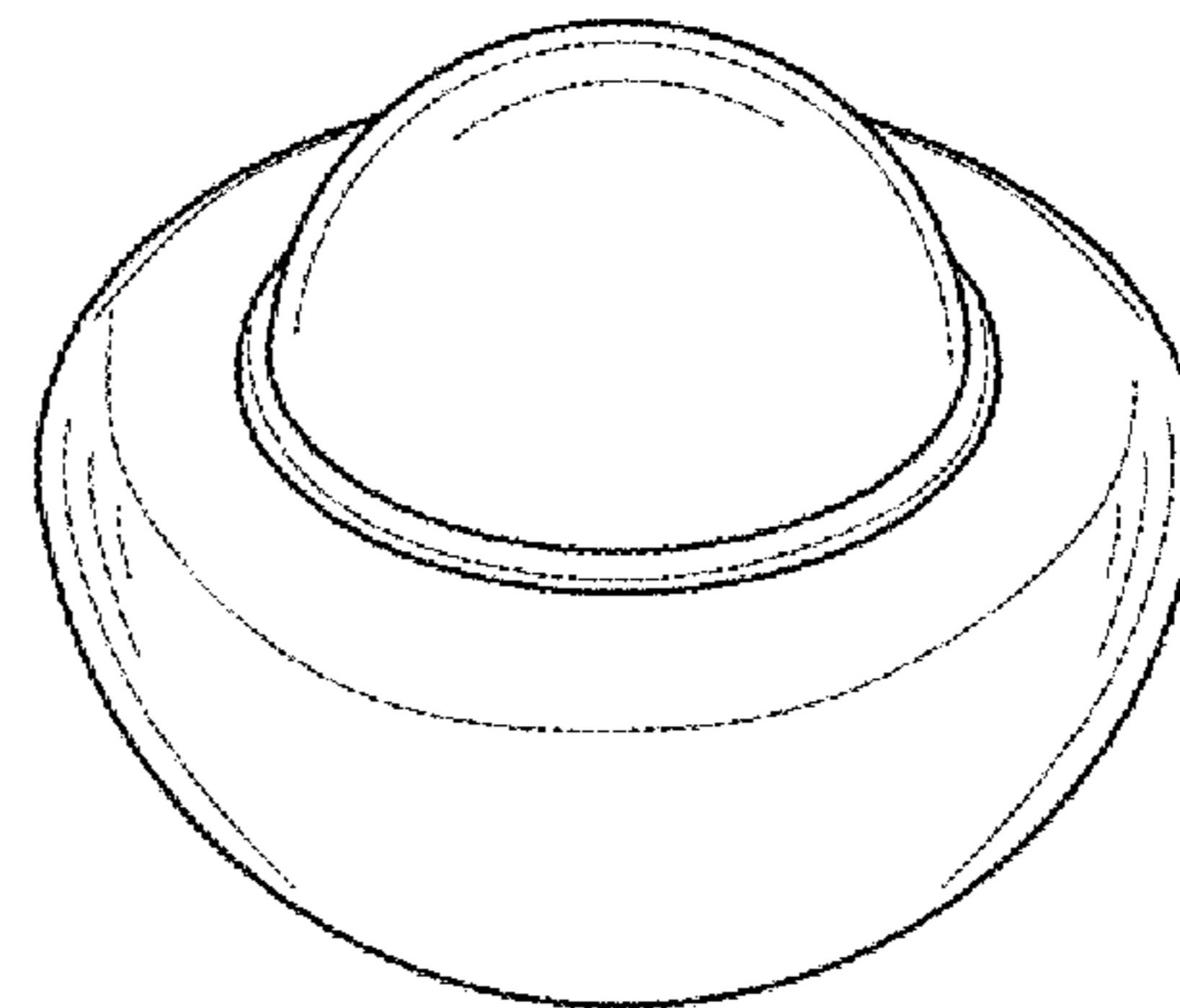
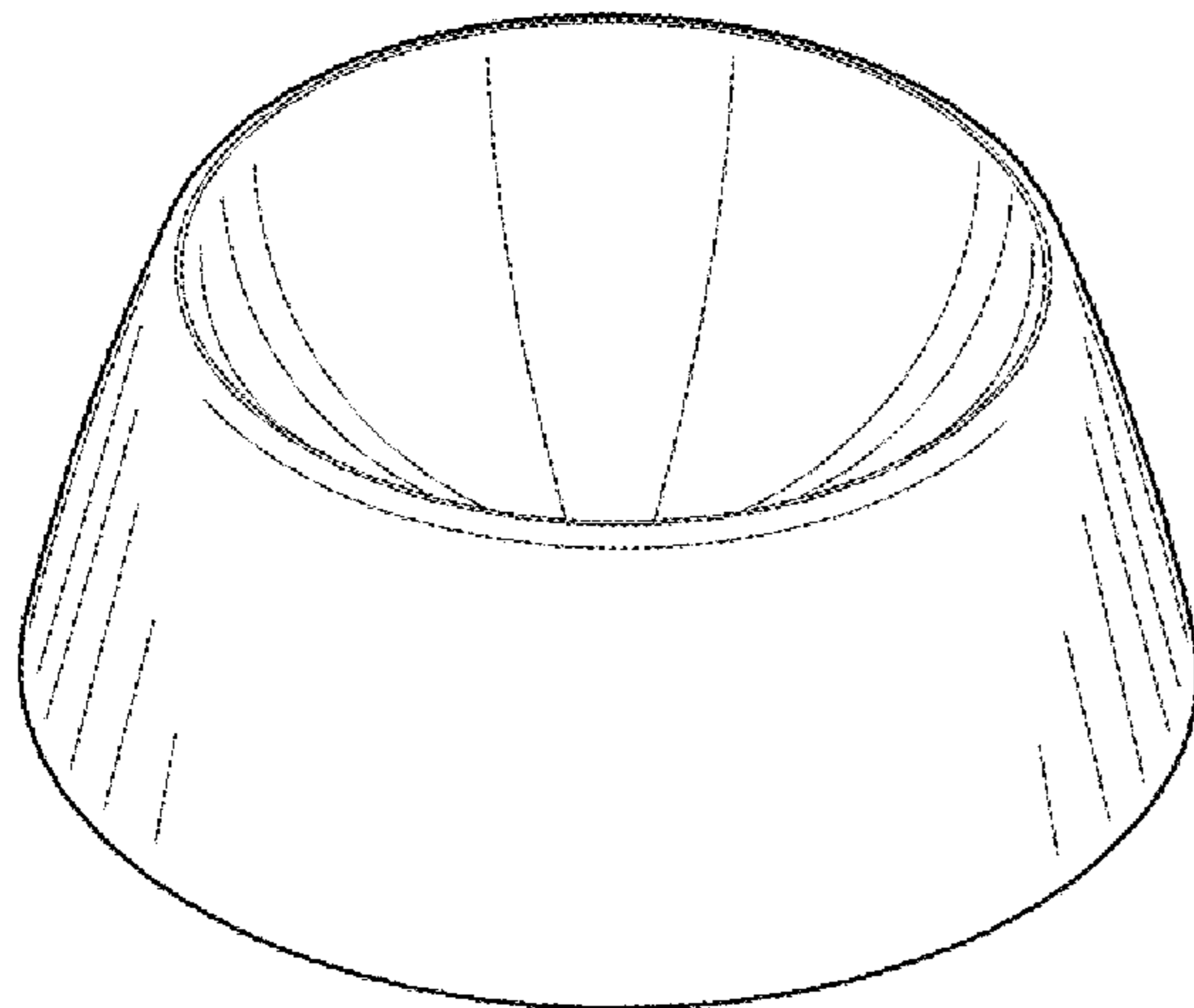
FIG. 4 is a bottom view of the massage therapy device.

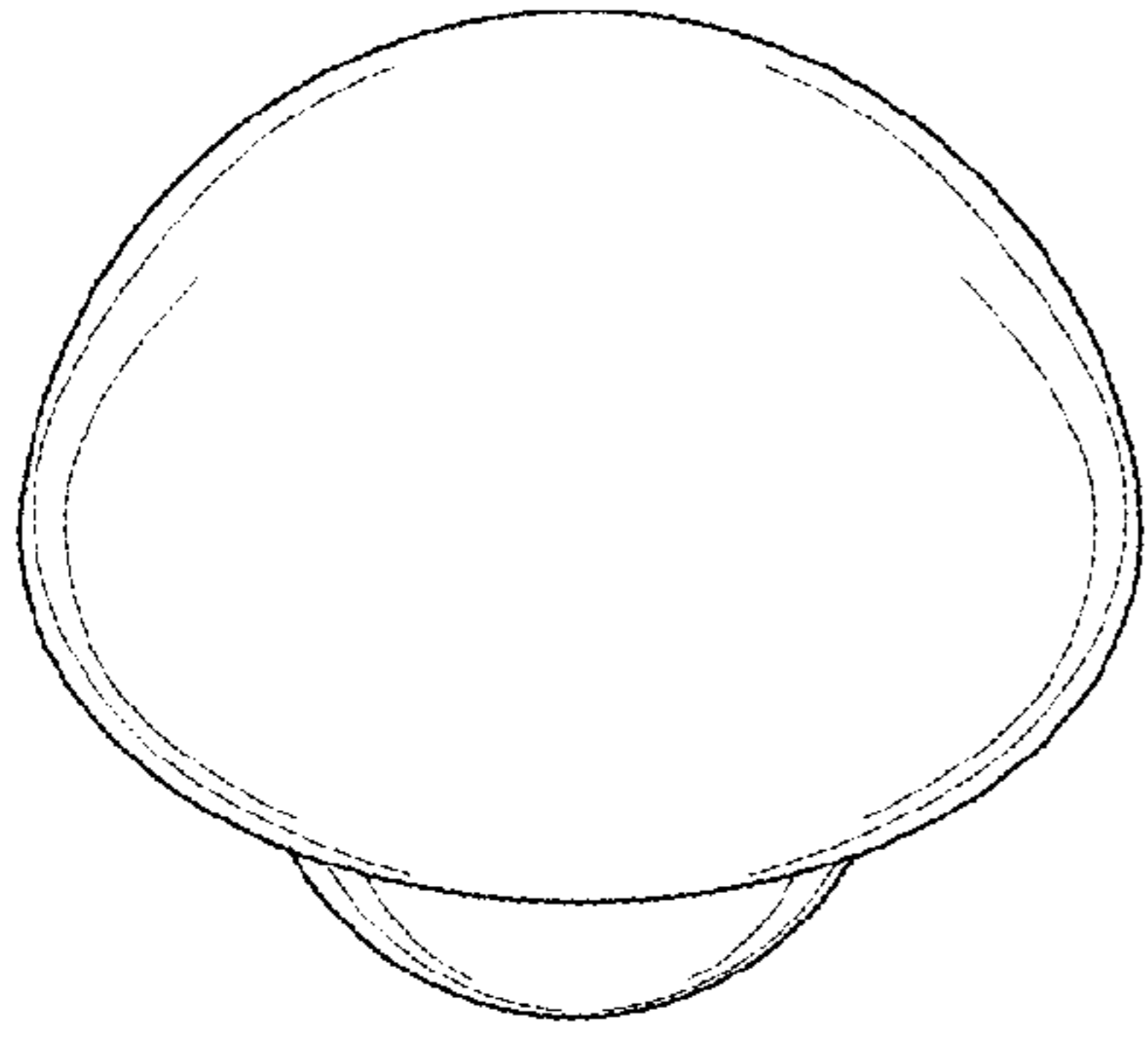
FIG. 5 is a perspective view of a second embodiment of FIG. 1, the only difference being the inclusion of a base, it being understood that all other aspects of the massage therapy device are the same as those of the first embodiment.

FIG. 6 is a perspective view of the massage therapy device and base, with the device placed downward in the base; and,

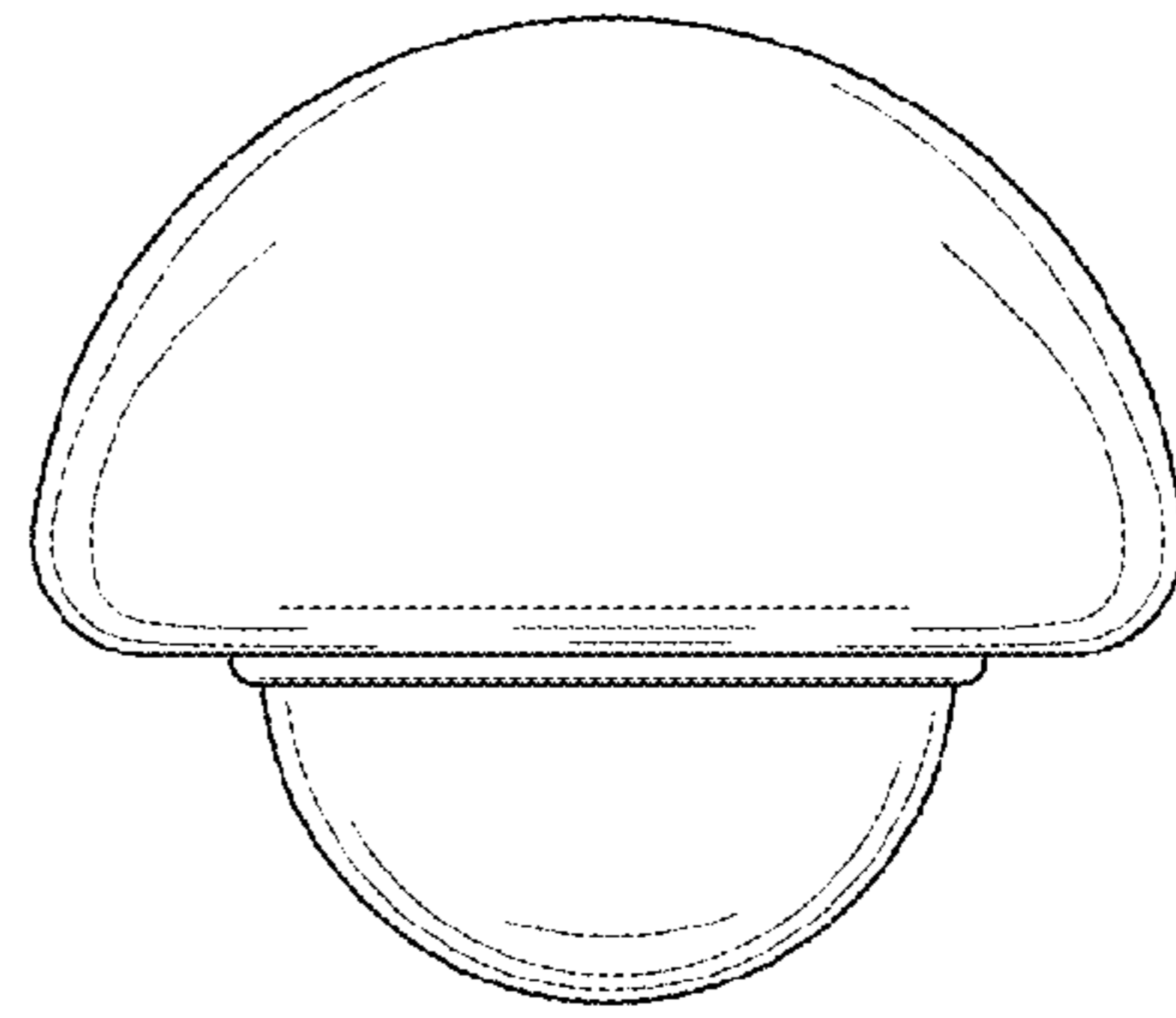
FIG. 7 is a perspective view of the massage therapy device and base, with the device placed upward in the base.

**1 Claim, 2 Drawing Sheets**

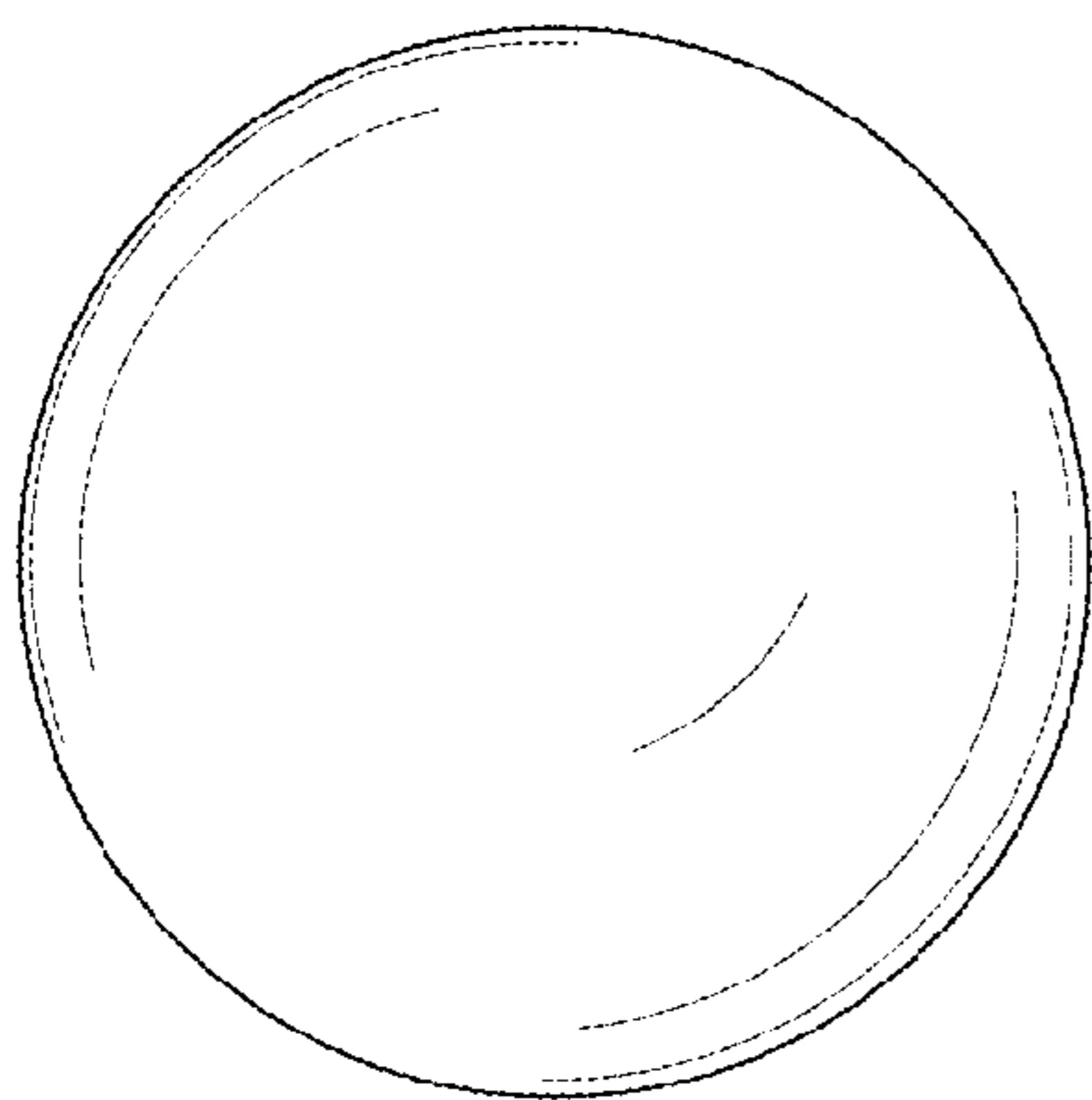




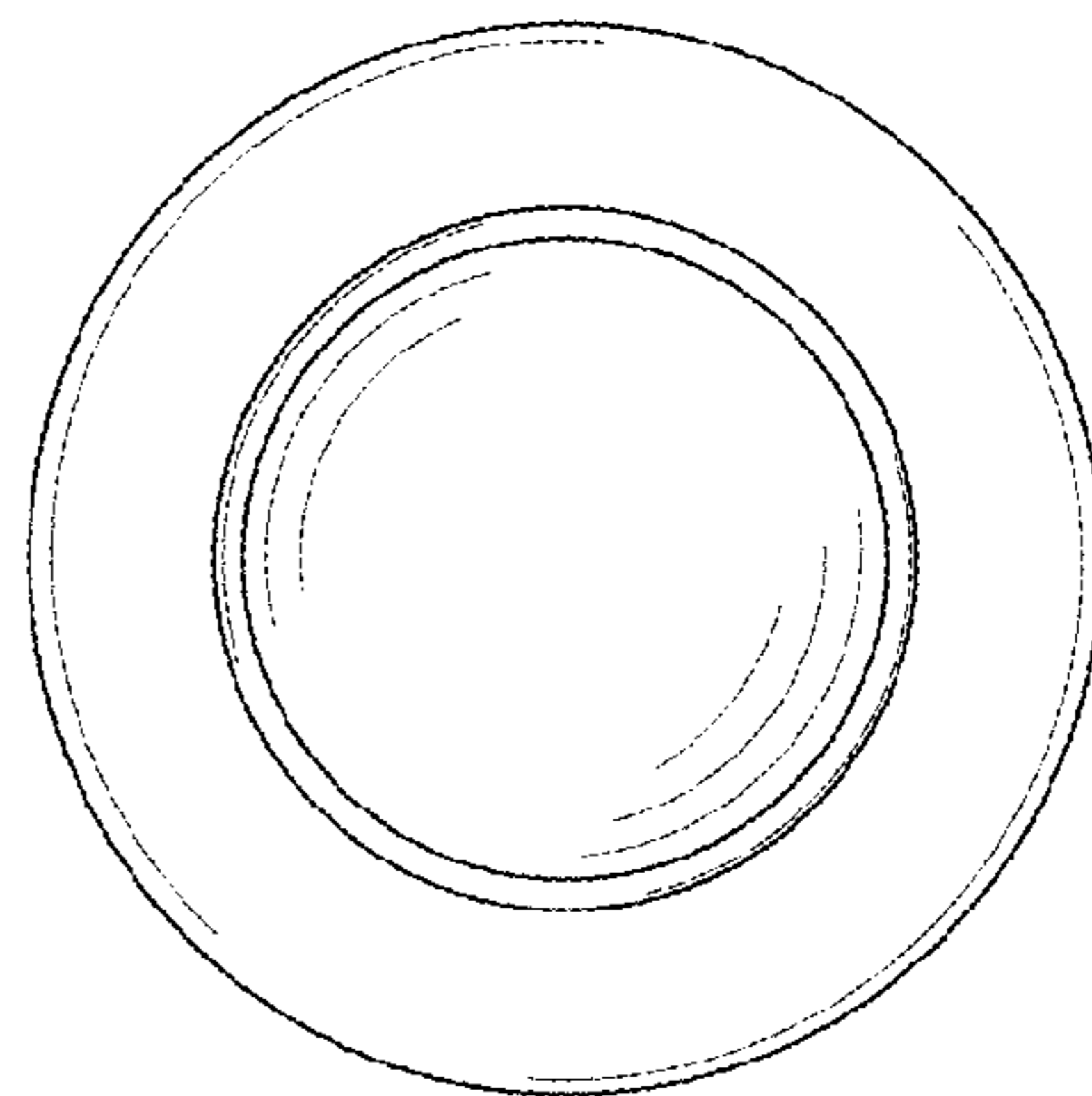
**Fig. 1**



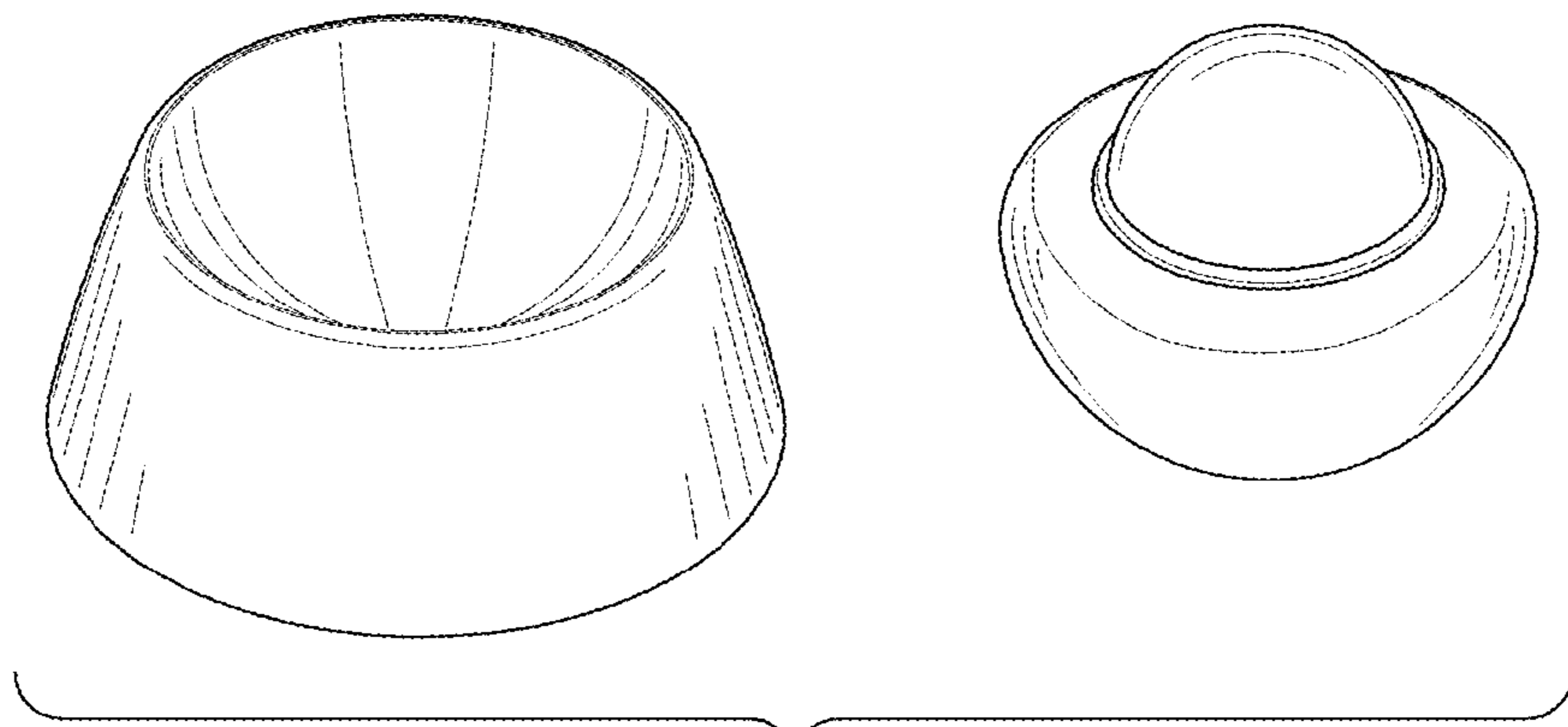
**Fig. 2**



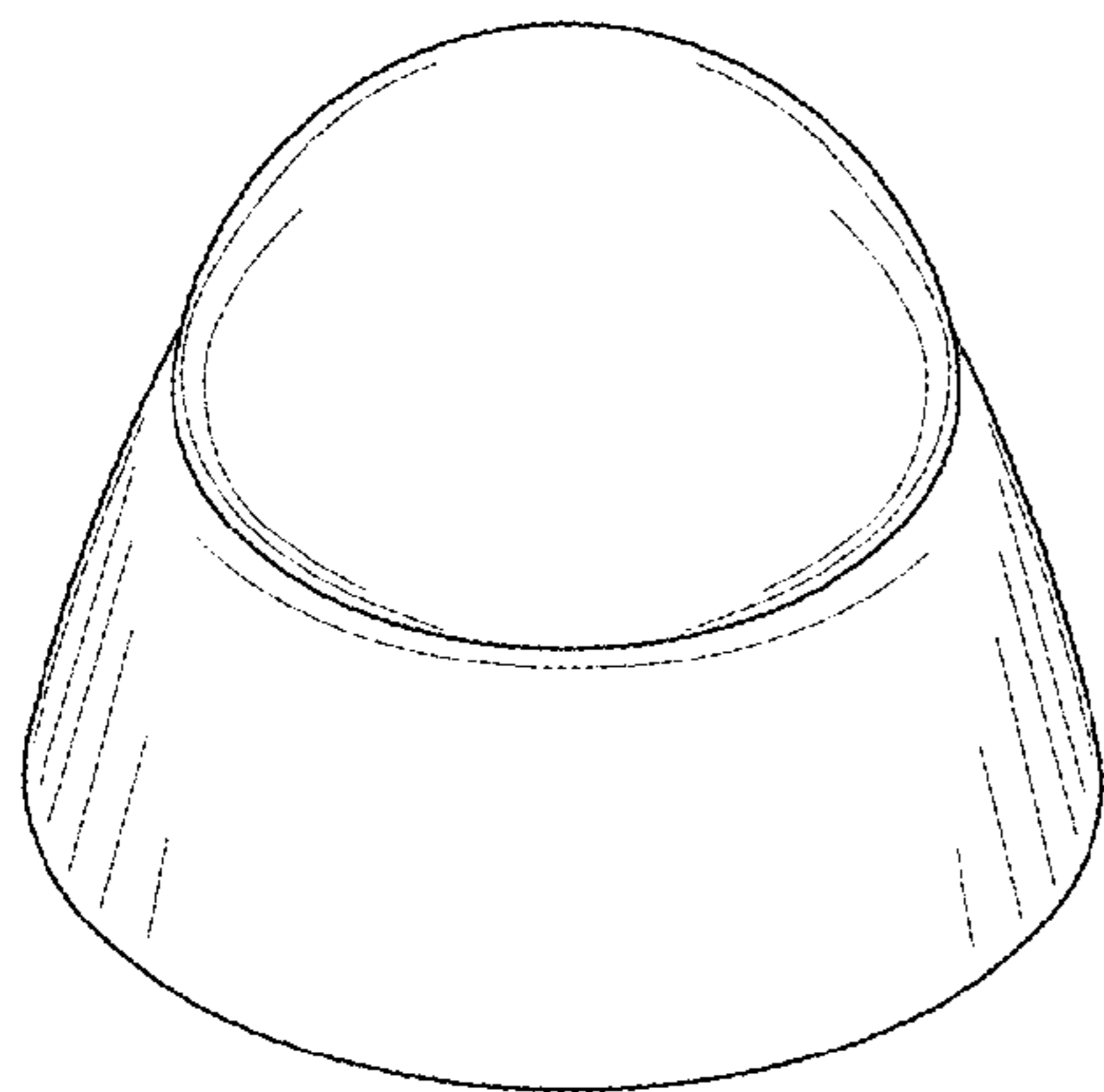
**Fig. 3**



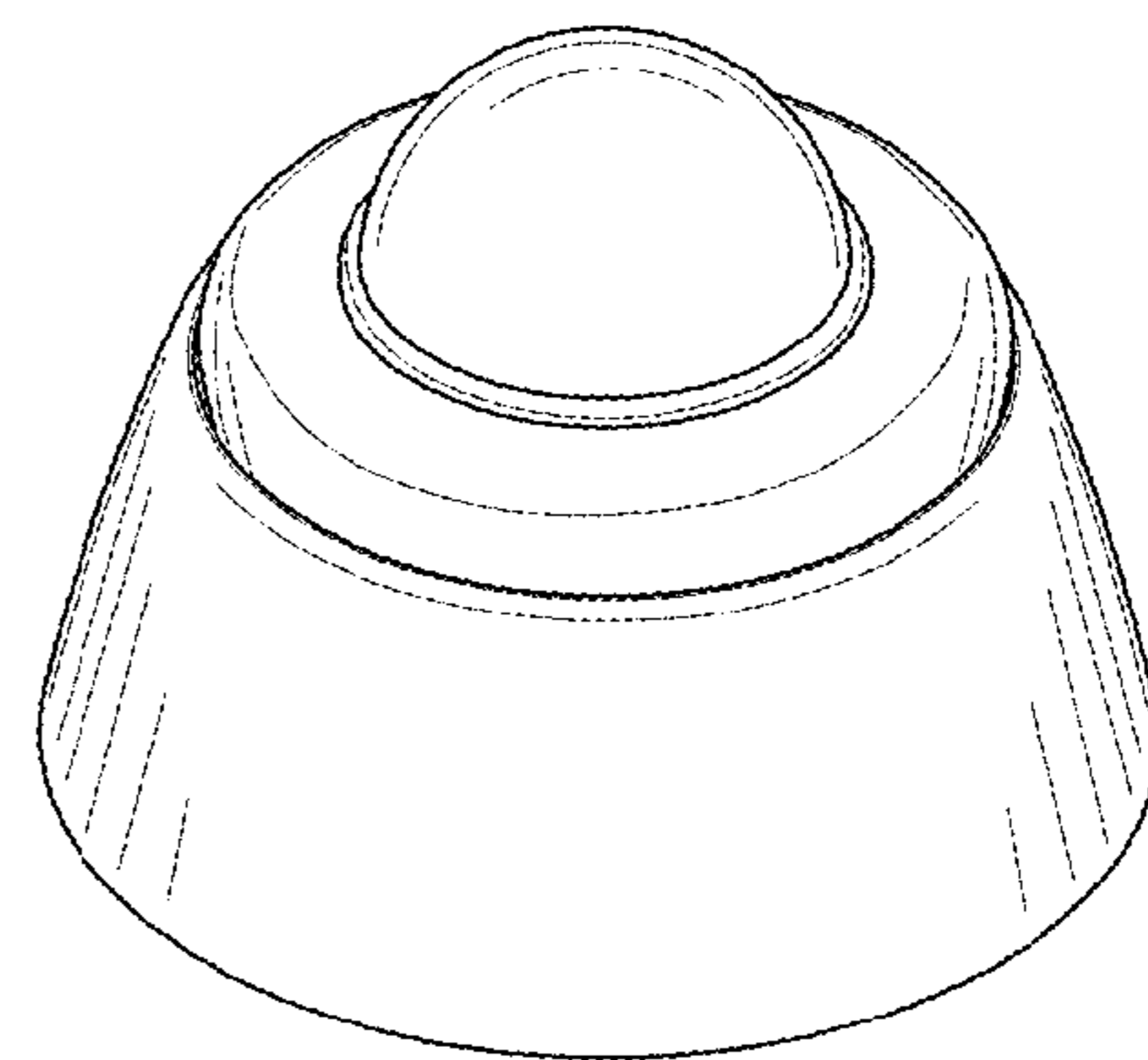
**Fig. 4**



**Fig. 5**



**Fig. 6**



**Fig. 7**