



US00D765863S

(12) **United States Design Patent** (10) **Patent No.:** **US D765,863 S**  
**Carney et al.** (45) **Date of Patent:** **\*\* Sep. 6, 2016**

(54) **ANALYTE TEST METER DOCKING STATION**

(71) Applicant: **Cilag GmbH International**, Zug (CH)

(72) Inventors: **Ciaran Carney**, Inverness (GB); **Brian Guthrie**, Inverness (GB); **Allan Faulkner**, Inverness (GB)

(73) Assignee: **Cilag GmbH International**, Zug (CH)

(\*\*) Term: **14 Years**

(21) Appl. No.: **29/500,040**

(22) Filed: **Aug. 21, 2014**

(51) **LOC (10) Cl.** ..... **24-01**

(52) **U.S. Cl.**  
USPC ..... **D24/169**

(58) **Field of Classification Search**

USPC ..... D24/216, 223, 231, 232, 107, 169, 186;  
D10/46, 75, 81; D14/341, 388, 434;  
D13/108

CPC .... G01N 33/66; G01N 33/49; G01N 33/493;  
A61B 5/14532; G06F 1/1632; H04N  
2201/0058; H02J 7/0044

See application file for complete search history.

(56) **References Cited**

**U.S. PATENT DOCUMENTS**

D516,023 S \* 2/2006 Quinn ..... D13/108  
D516,026 S \* 2/2006 Barrett ..... D13/108

D535,614 S \* 1/2007 Majanen ..... D13/108  
D601,258 S \* 9/2009 Bell ..... D24/169  
D601,259 S \* 9/2009 Guthrie ..... D24/169  
D633,038 S \* 2/2011 Fahrendorff ..... D13/108  
D648,339 S \* 11/2011 O'Neil ..... D14/434  
8,521,558 B2 \* 8/2013 Malave ..... G06F 19/3487  
705/2  
D697,625 S \* 1/2014 Montgomery ..... D24/186  
D739,407 S \* 9/2015 Son ..... D14/434  
D751,079 S \* 3/2016 Skjoldborg ..... D14/434  
2008/0307144 A1 \* 12/2008 Minoo ..... G06F 1/1632  
710/304

\* cited by examiner

*Primary Examiner* — Anhdao Doan

(57) **CLAIM**

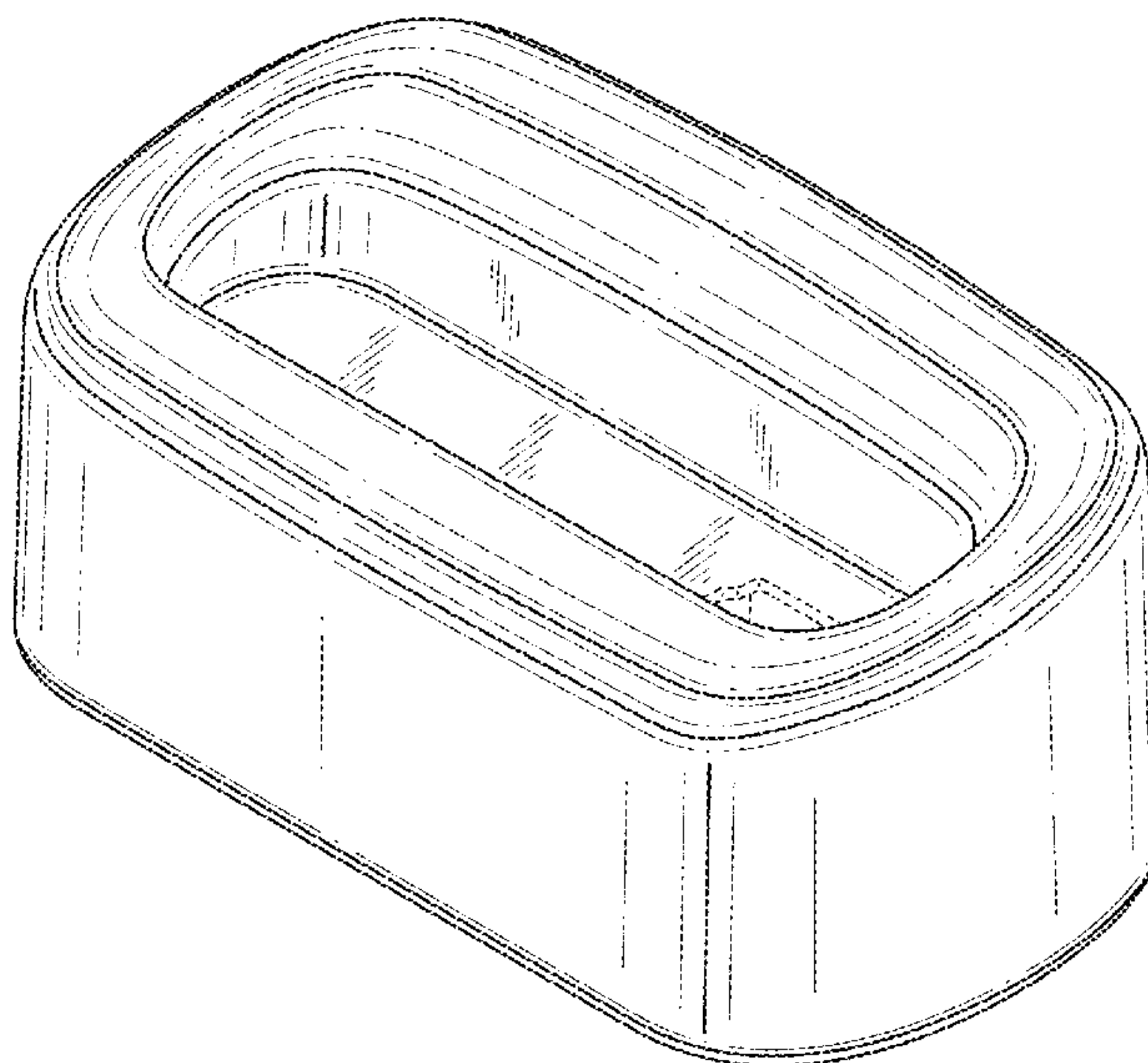
We claim the ornamental design for an analyte test meter docking station, as shown and described.

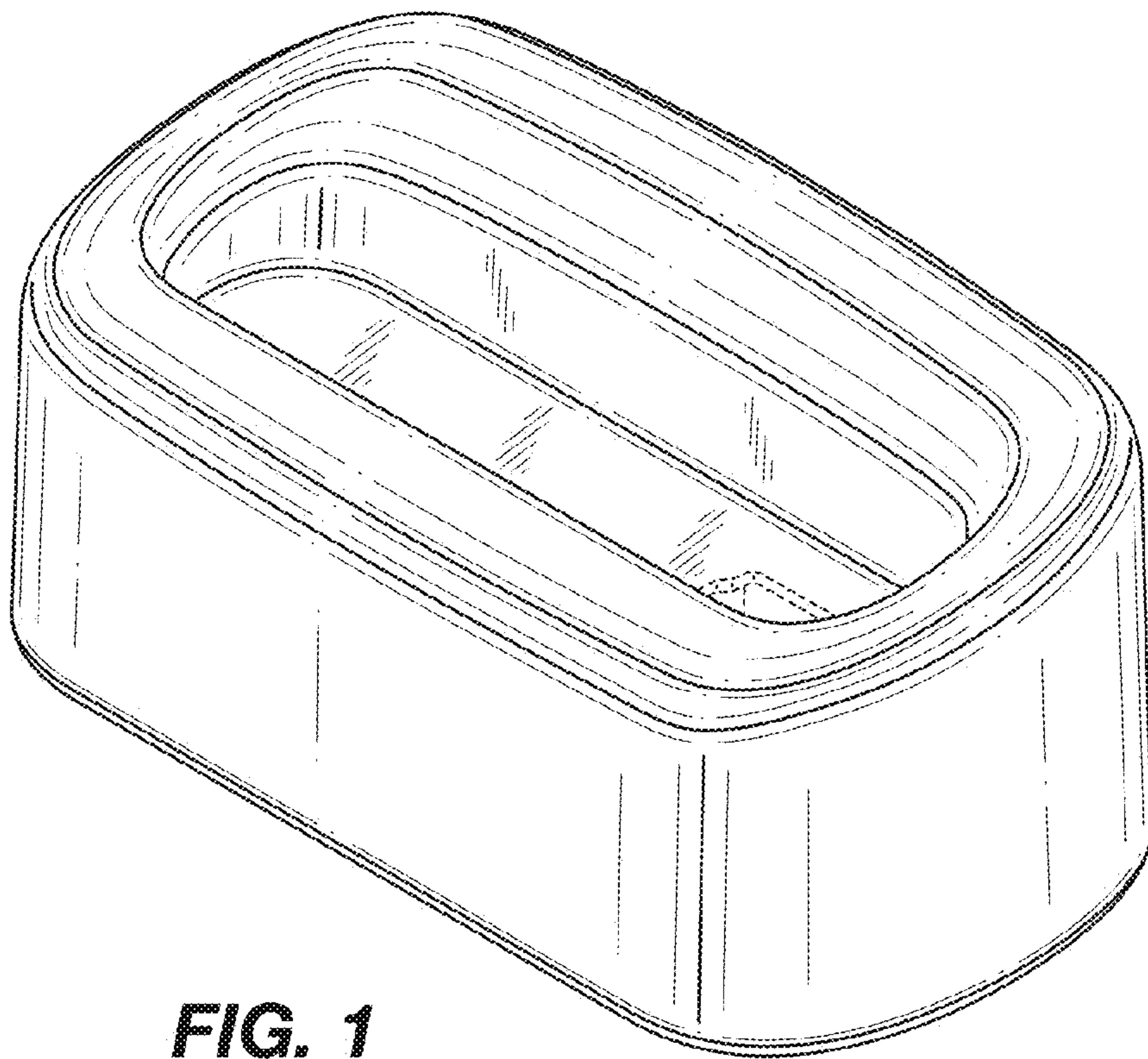
**DESCRIPTION**

FIG. 1 is a top, front and right side perspective view of an analyte test meter docking station;  
FIG. 2 is a front plan view thereof;  
FIG. 3 is a right side elevational view thereof;  
FIG. 4 is a rear plan view thereof;  
FIG. 5 is a left side elevational view thereof;  
FIG. 6 is a top elevational view thereof; and,  
FIG. 7 is a bottom elevational view thereof.

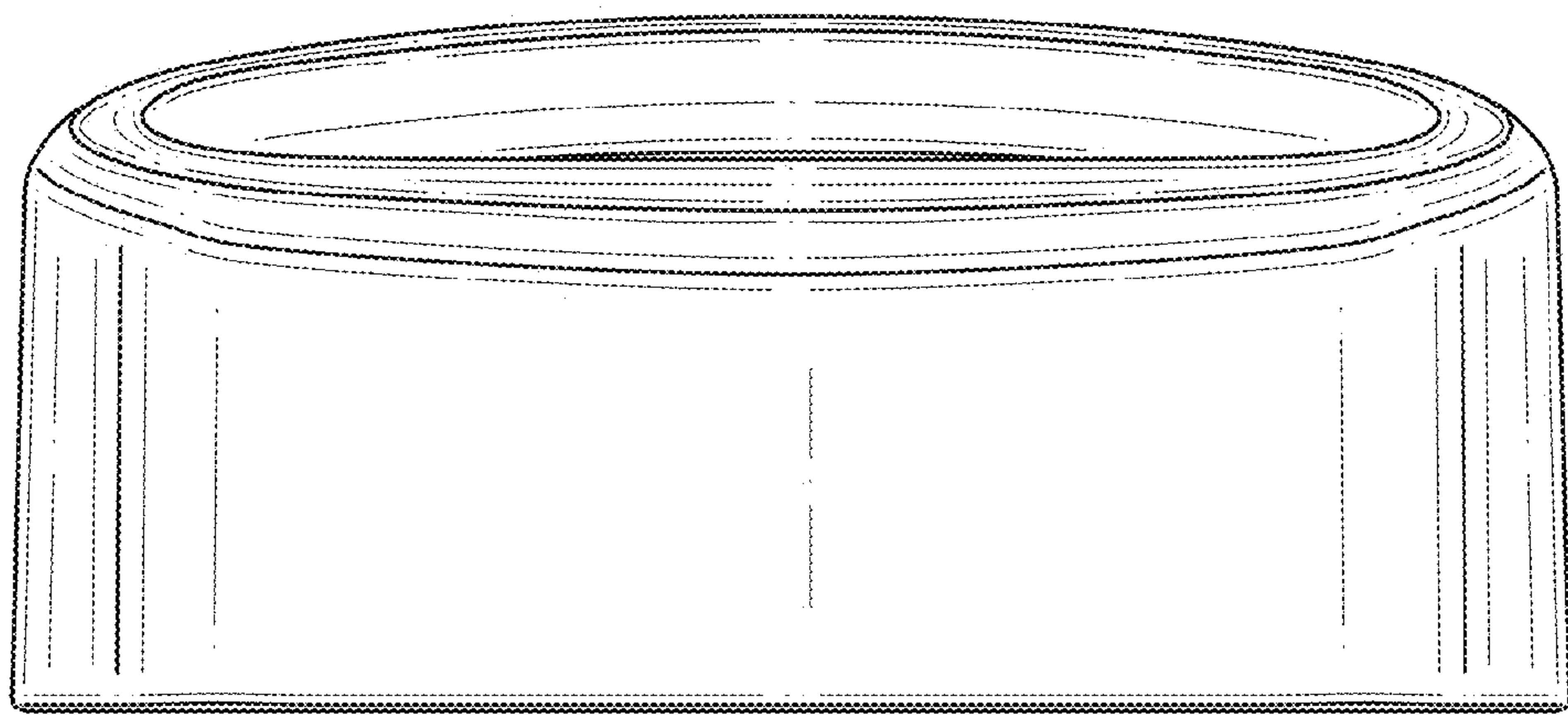
The broken lines in FIGS. 1 and 6 views are for illustrating portion of the analyte test meter docking station that forms no part of the claimed design; the broken lines form no part of the claimed design.

**1 Claim, 6 Drawing Sheets**

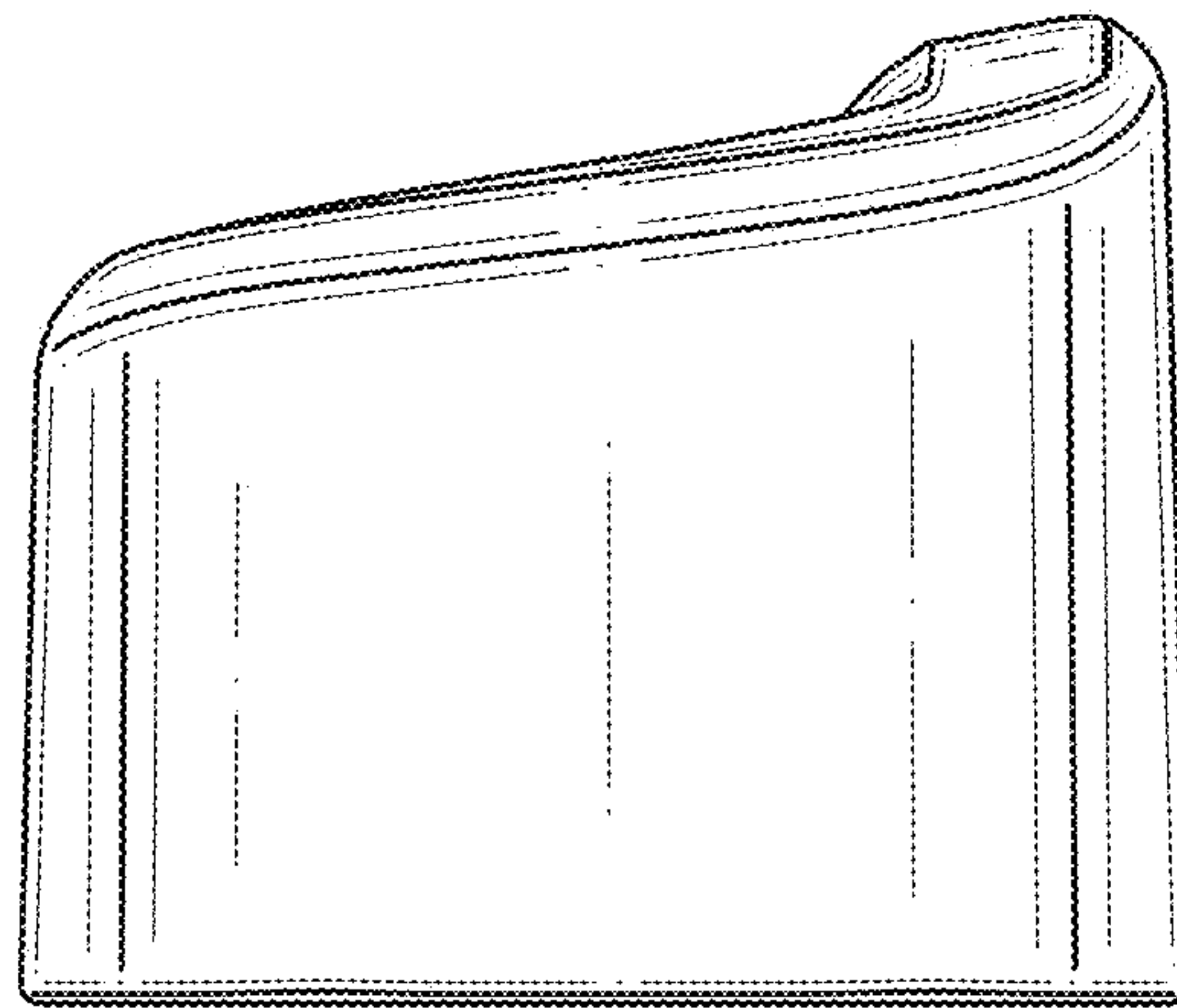




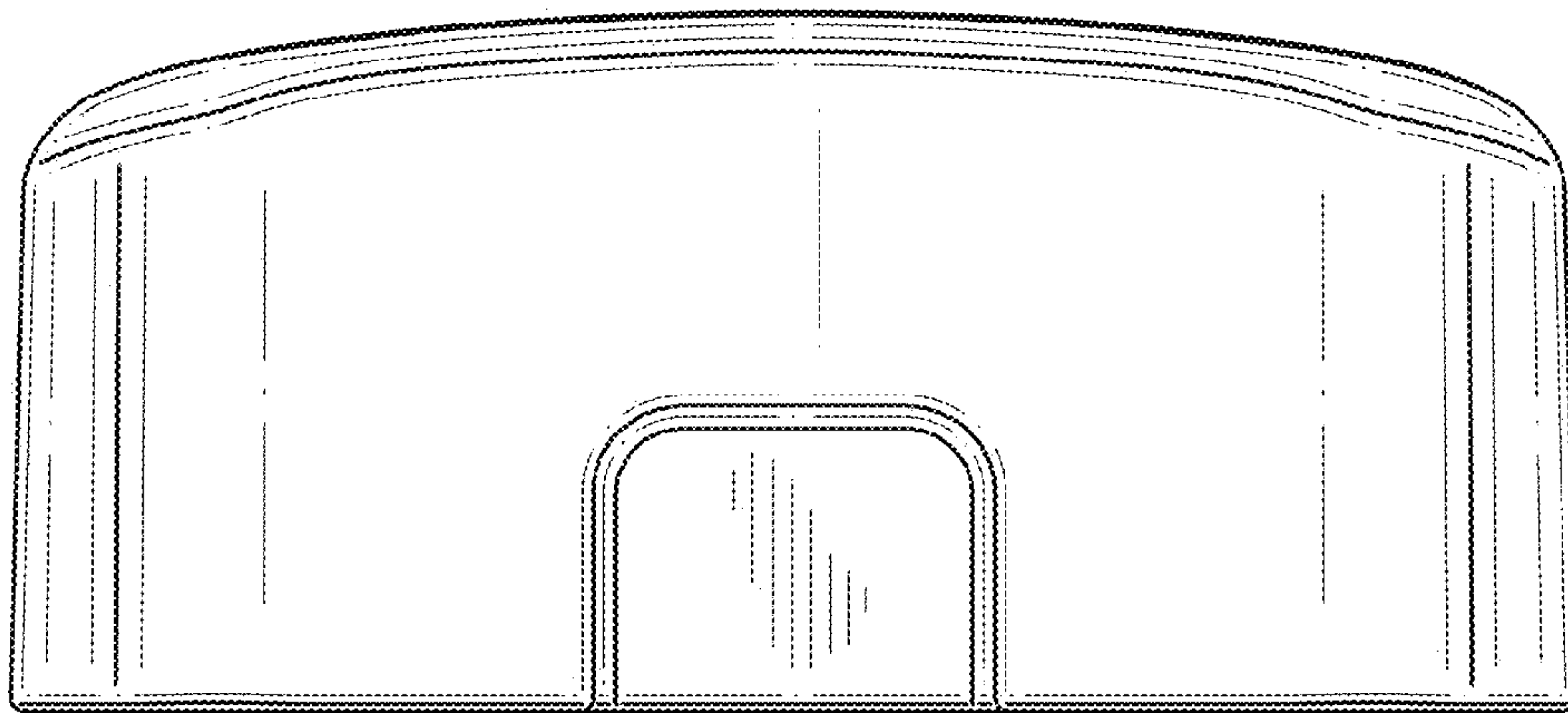
**FIG. 1**



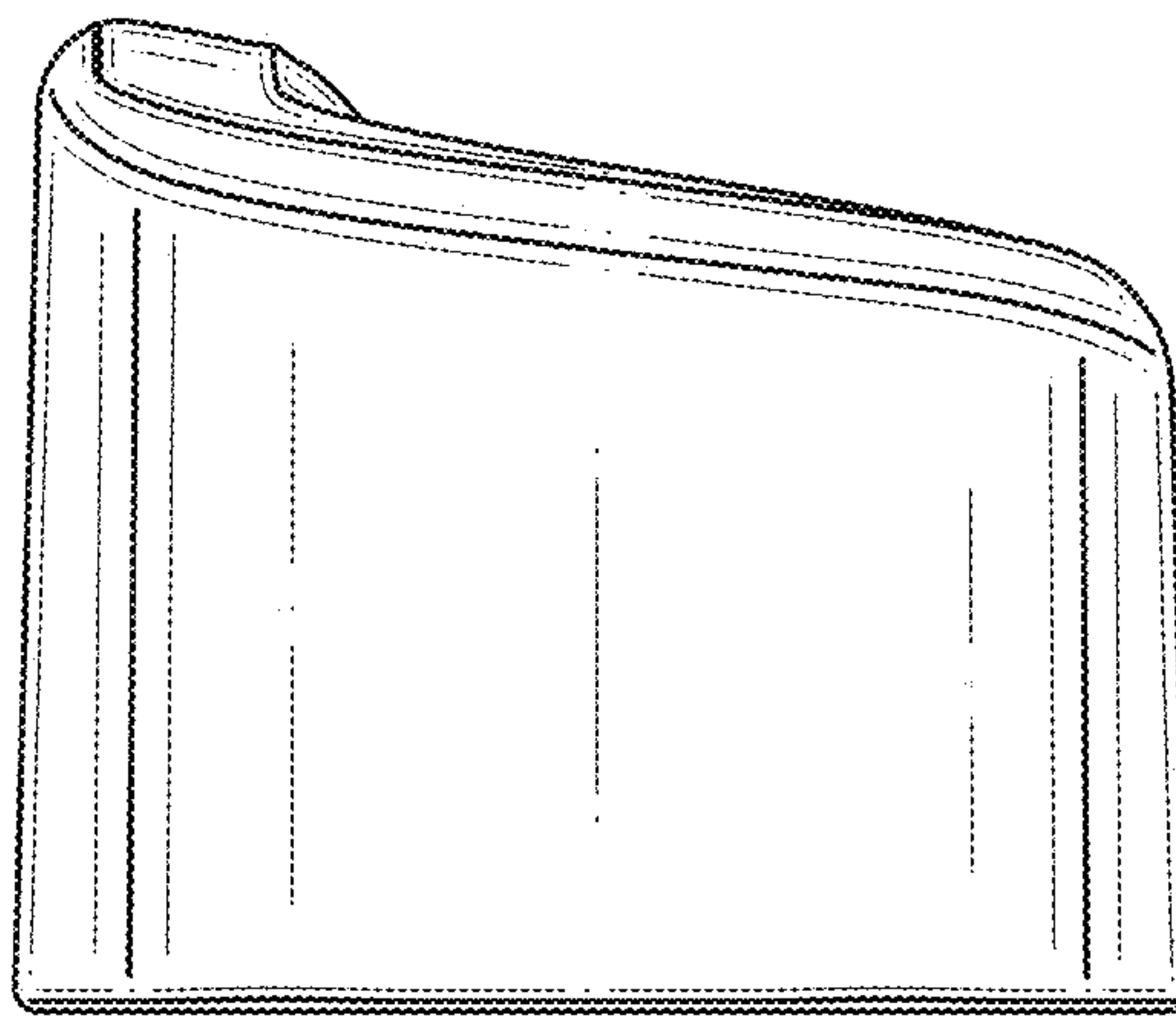
**FIG. 2**



**FIG. 3**

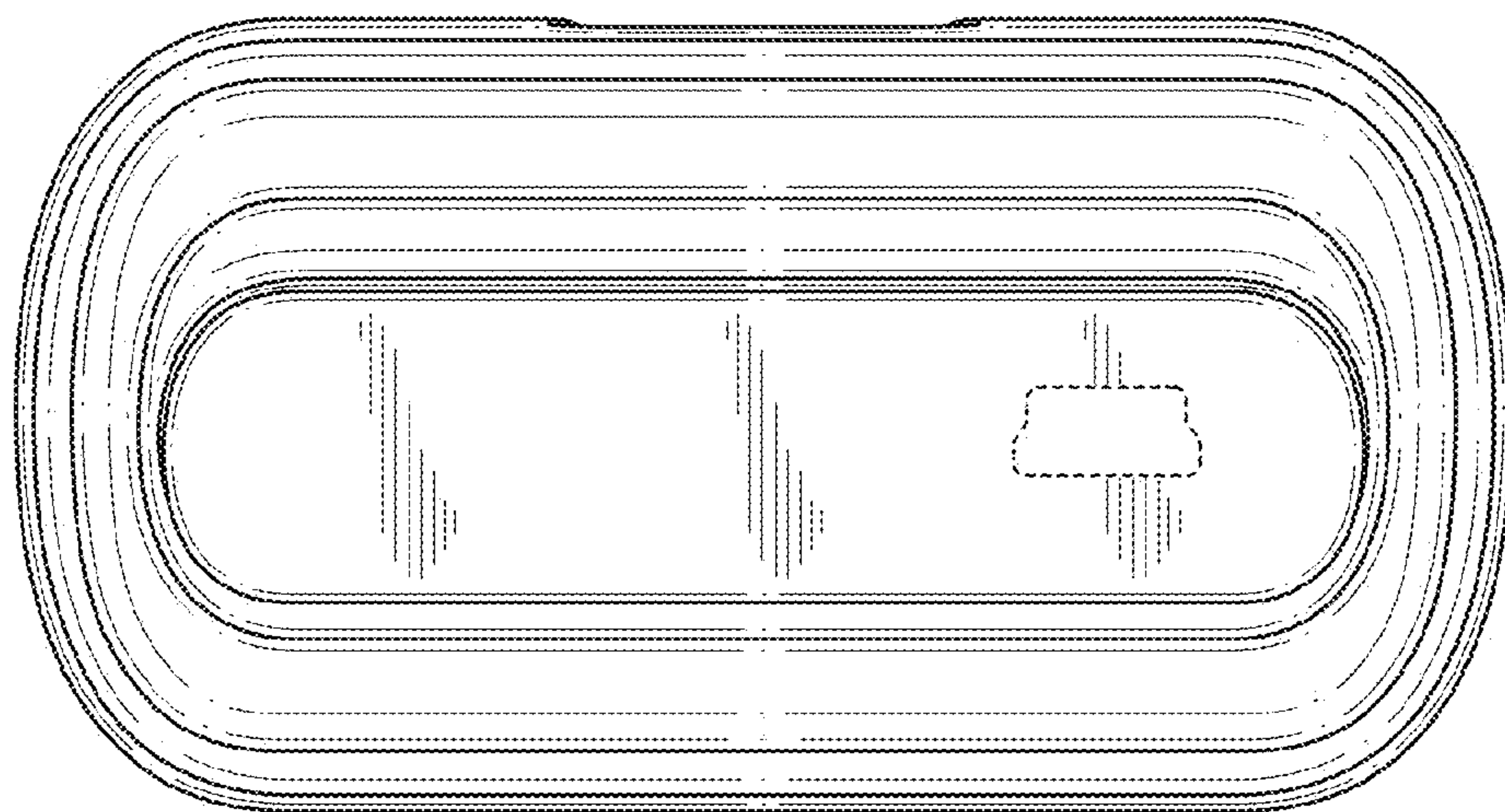


**FIG. 4**

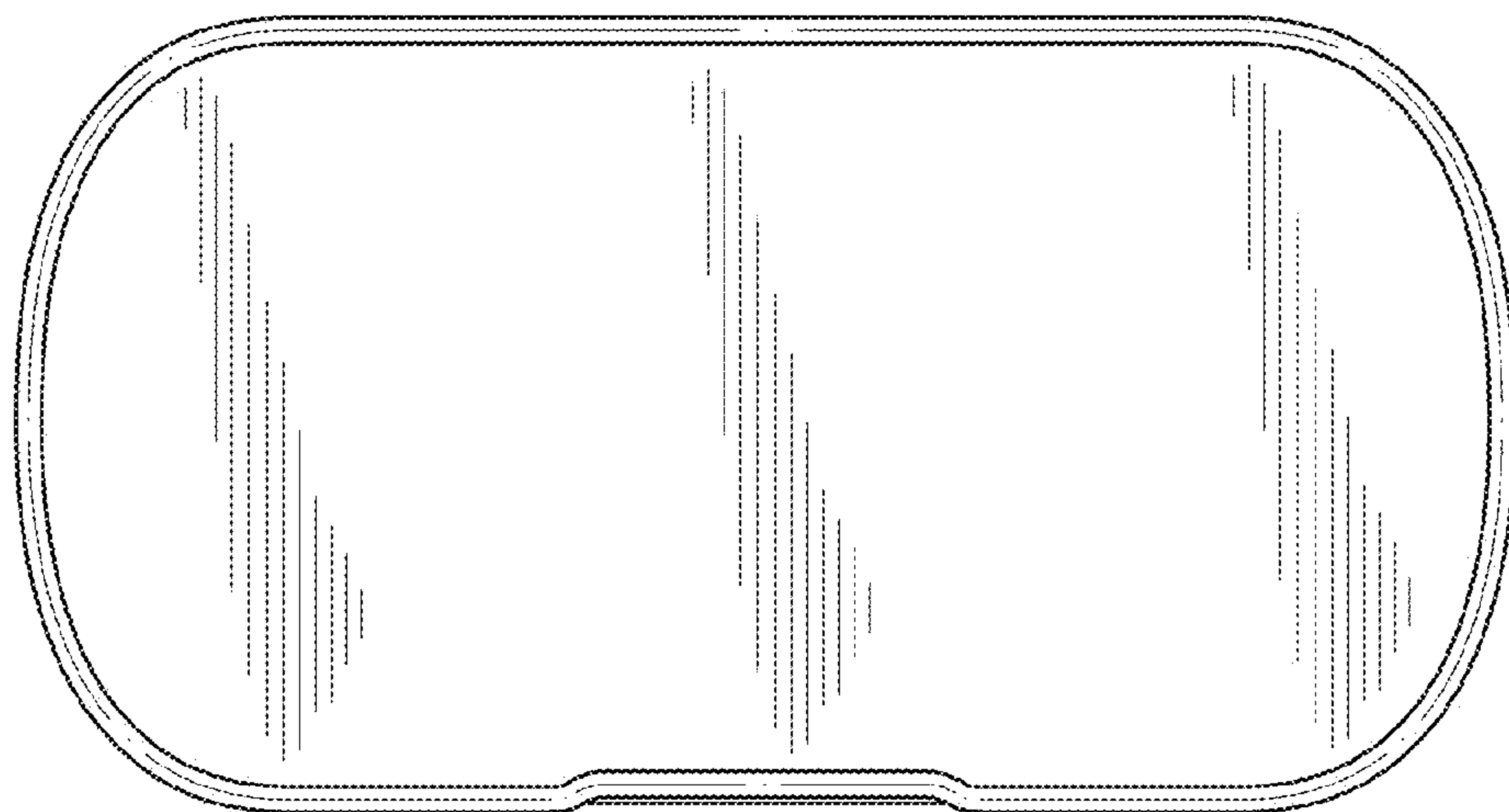


**FIG. 5**





**FIG. 6**



**FIG. 7**