

US00D765862S

(12) **United States Design Patent**  
**Schendel**

(10) **Patent No.:** **US D765,862 S**

(45) **Date of Patent:** **\*\* Sep. 6, 2016**

(54) **DENTAL IMPLANT**

(71) Applicant: **Stephen A. Schendel**, Atherton, CA  
(US)

(72) Inventor: **Stephen A. Schendel**, Atherton, CA  
(US)

(\*\*) Term: **15 Years**

(21) Appl. No.: **29/552,634**

(22) Filed: **Jan. 25, 2016**

(51) **LOC (10) Cl.** ..... **24-02**

(52) **U.S. Cl.**  
USPC ..... **D24/156**

(58) **Field of Classification Search**  
USPC ..... D24/155-157  
CPC .... A61C 8/00; A61C 8/0089; A61C 8/0069;  
A61C 8/0054; A61C 8/0096; A61C 8/0039;  
A61C 8/0063; A61C 8/006; A61C 8/0001;  
A61C 8/0012; A61C 8/0075; A61C 8/0083;  
A61C 13/225

See application file for complete search history.

(56) **References Cited**

**U.S. PATENT DOCUMENTS**

D342,314 S \* 12/1993 Miller ..... D24/156  
D355,972 S \* 2/1995 Broberg ..... D24/156  
D356,869 S \* 3/1995 Holmen ..... D24/156

D578,218 S \* 10/2008 Purga ..... D24/156  
D588,699 S \* 3/2009 Aldecoa ..... D24/156  
D601,703 S \* 10/2009 Kahdemann ..... D24/156  
D603,513 S \* 11/2009 Emanuelli ..... D24/156  
D604,851 S \* 11/2009 Ishikawa ..... D24/156  
D605,291 S \* 12/2009 Ishikawa ..... D24/156  
D620,117 S \* 7/2010 Dawson ..... D24/156  
D659,247 S \* 5/2012 Lussi ..... D24/156  
D668,764 S \* 10/2012 Lussi ..... D24/156  
D748,263 S \* 1/2016 Ishiwata ..... D24/156

\* cited by examiner

*Primary Examiner* — Charles Hanson

(74) *Attorney, Agent, or Firm* — Rodgers & Rodgers

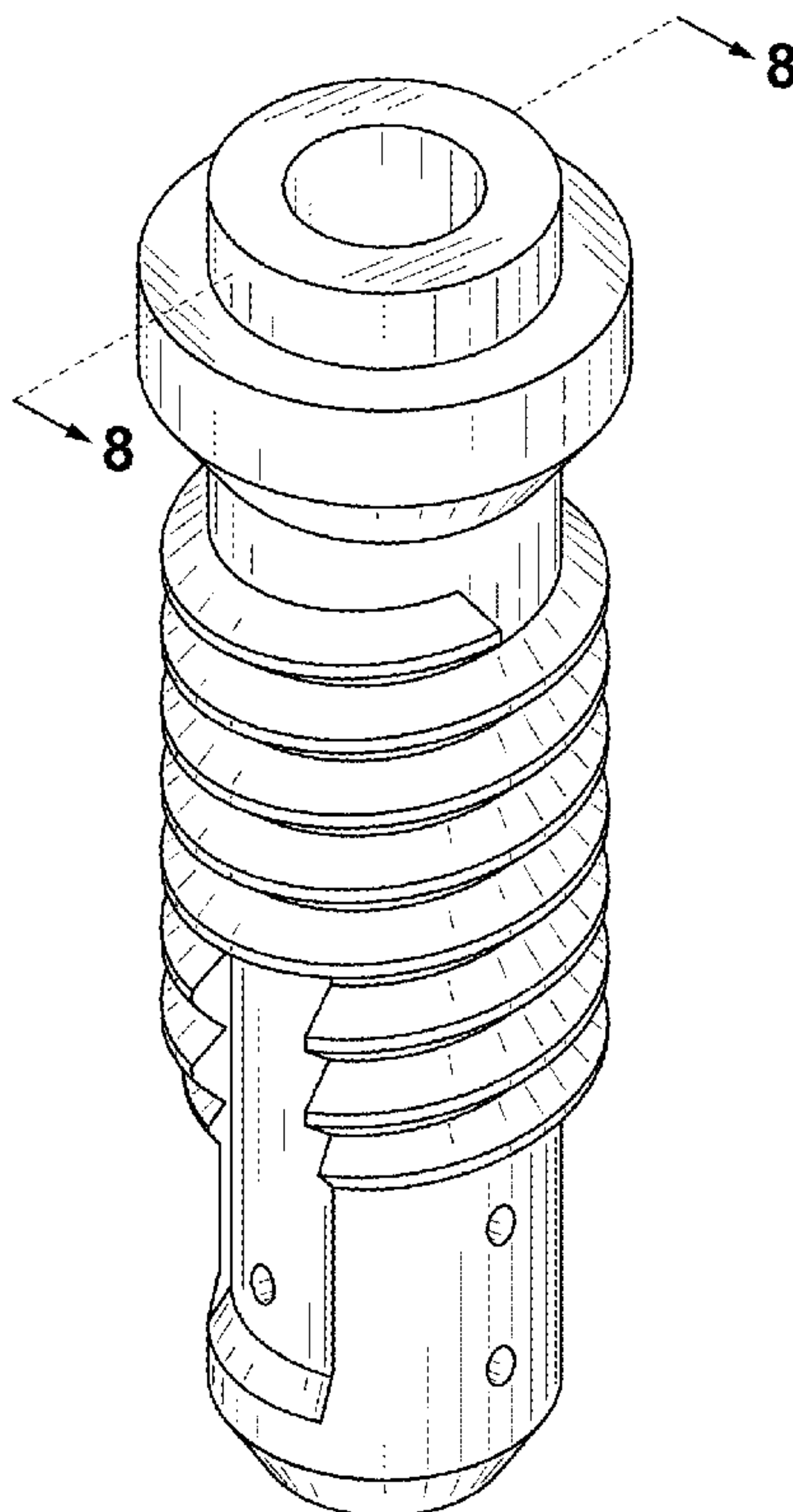
(57) **CLAIM**

The ornamental design for a dental implant, as shown and described.

**DESCRIPTION**

FIG. 1 is a perspective view of a dental implant showing my new design;  
FIG. 2 is a front elevational view thereof;  
FIG. 3 is a rear elevational view thereof;  
FIG. 4 is a right-side elevational view thereof;  
FIG. 5 is a left-side elevational view thereof;  
FIG. 6 is a top plan view thereof;  
FIG. 7 is a bottom plan view thereof; and,  
FIG. 8 an elevational view taken along line 8-8 in FIG. 1.

**1 Claim, 5 Drawing Sheets**



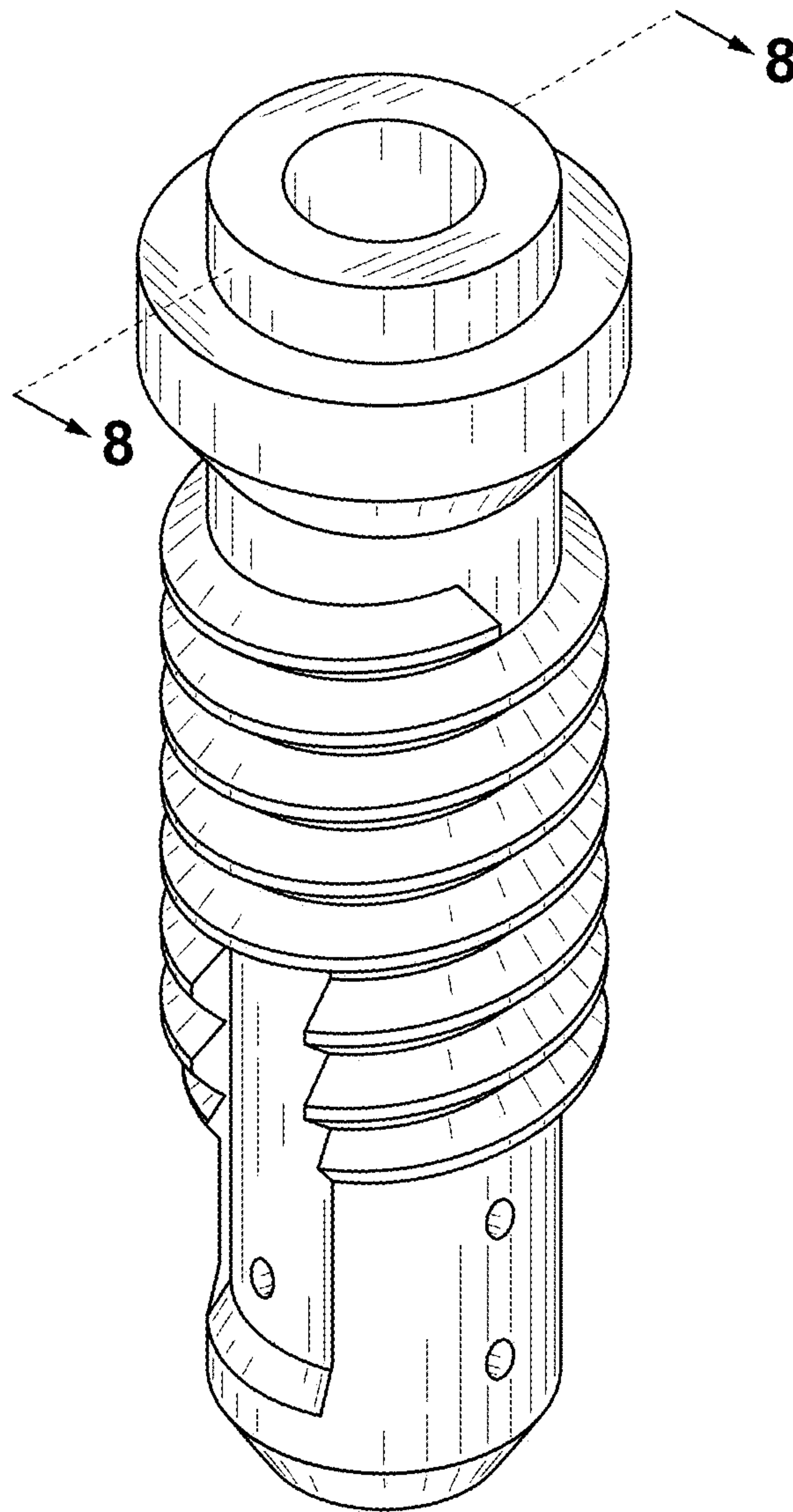


FIG. 1

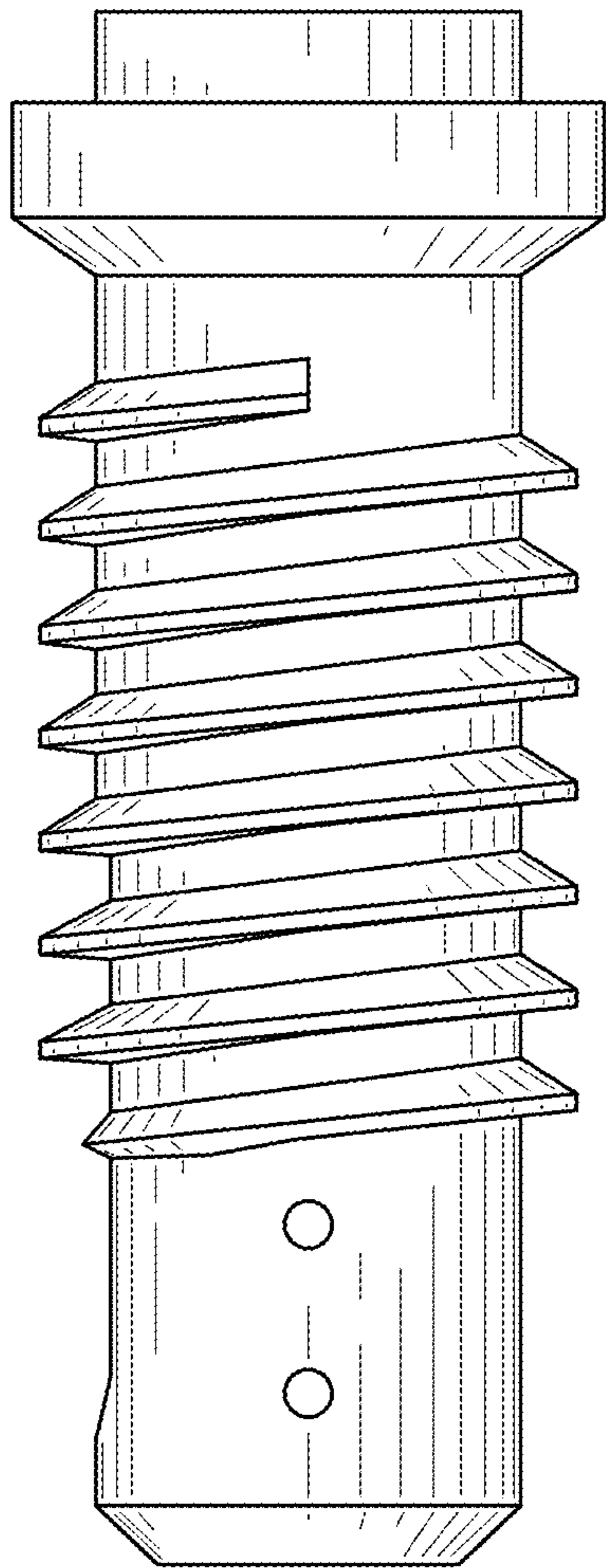


FIG. 2

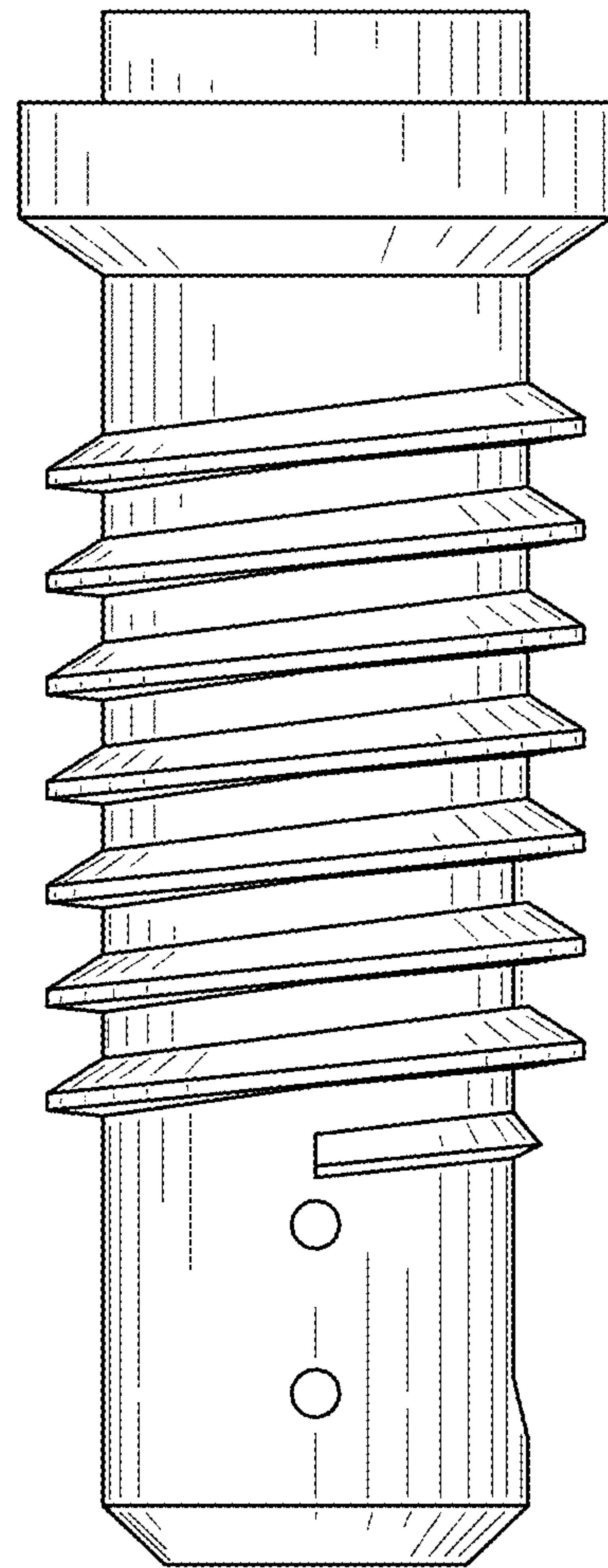


FIG. 3

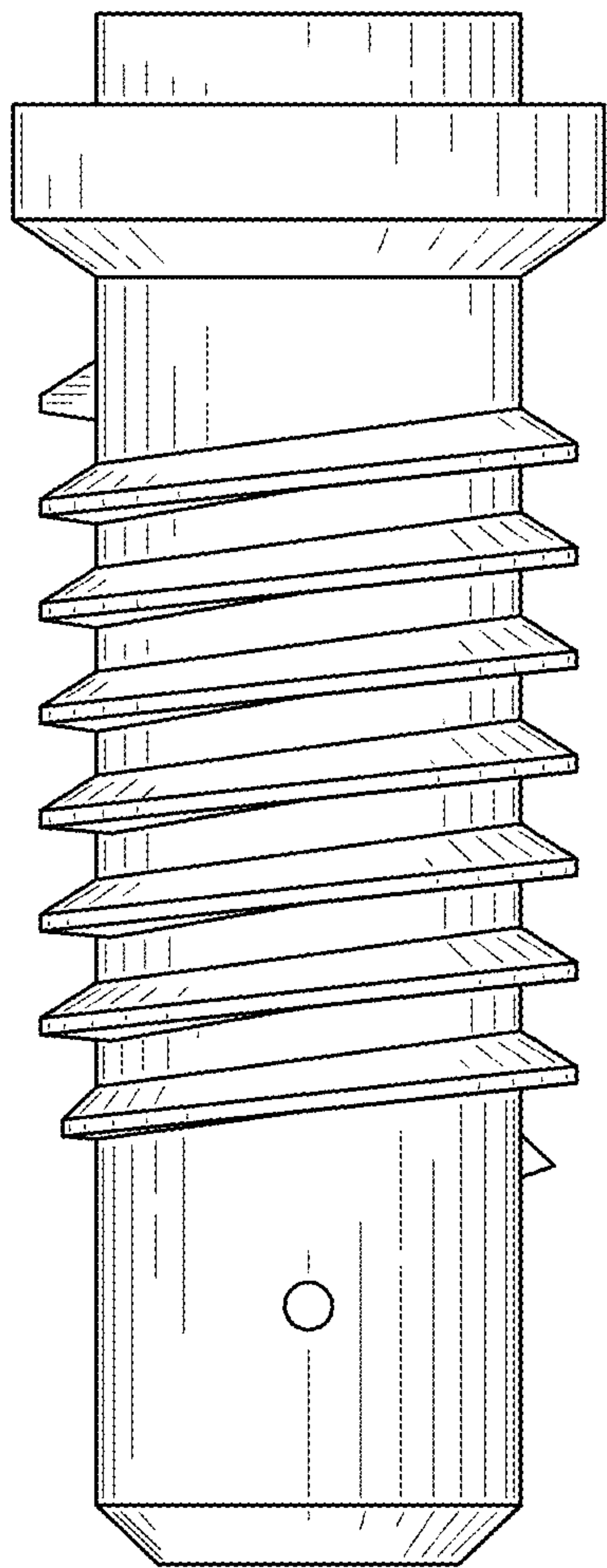


FIG. 4

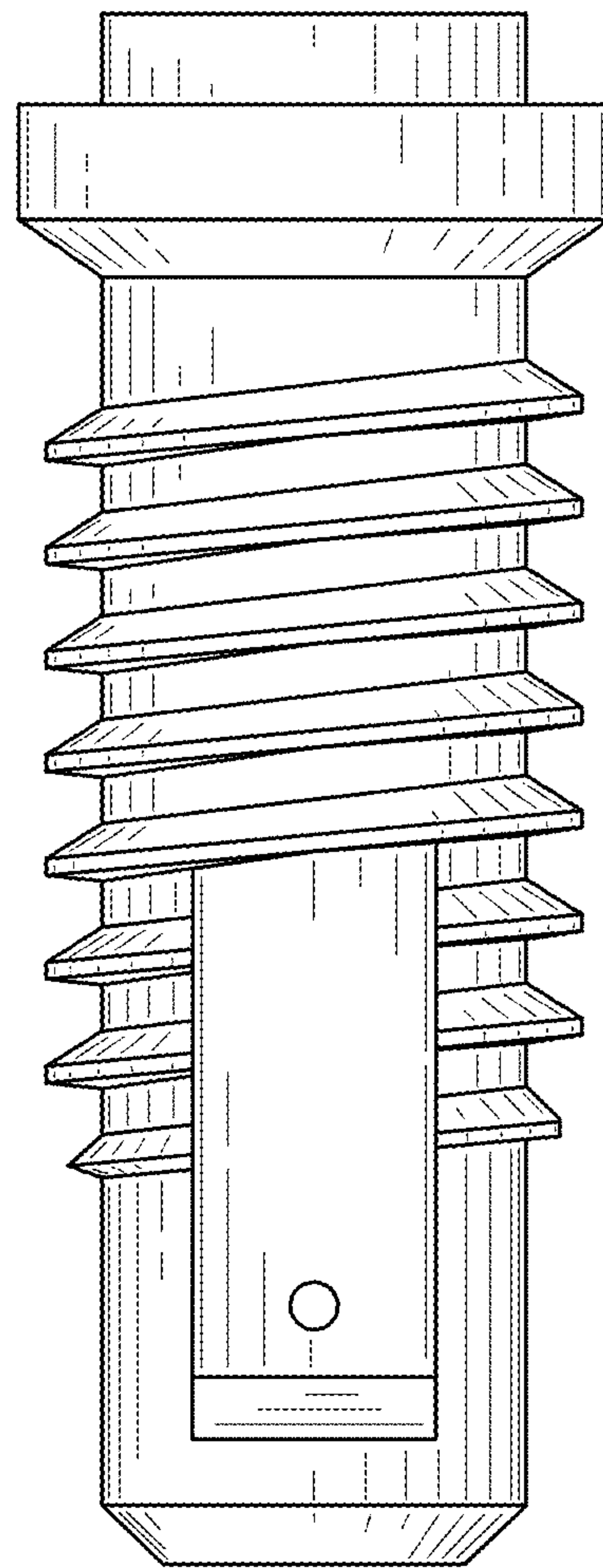
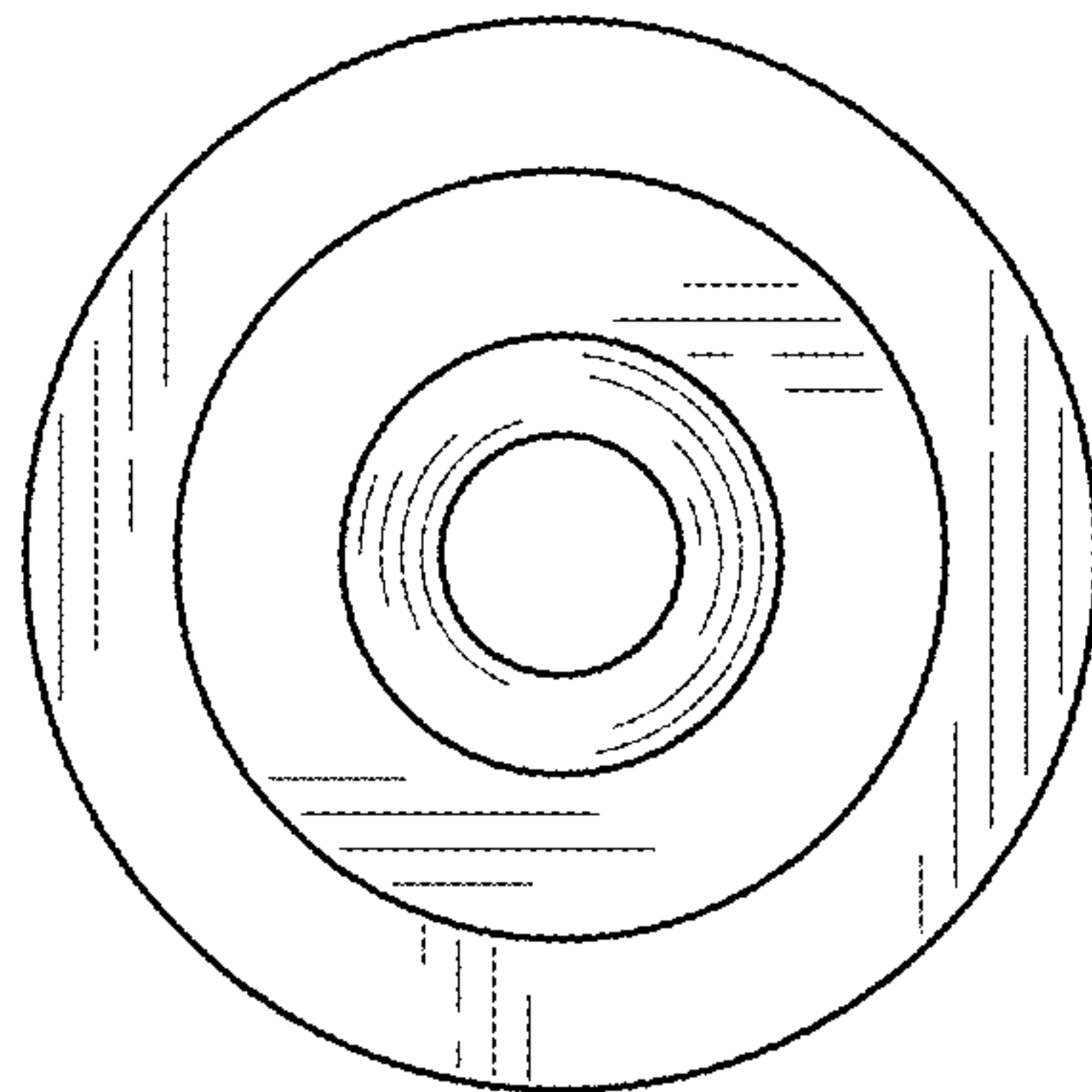
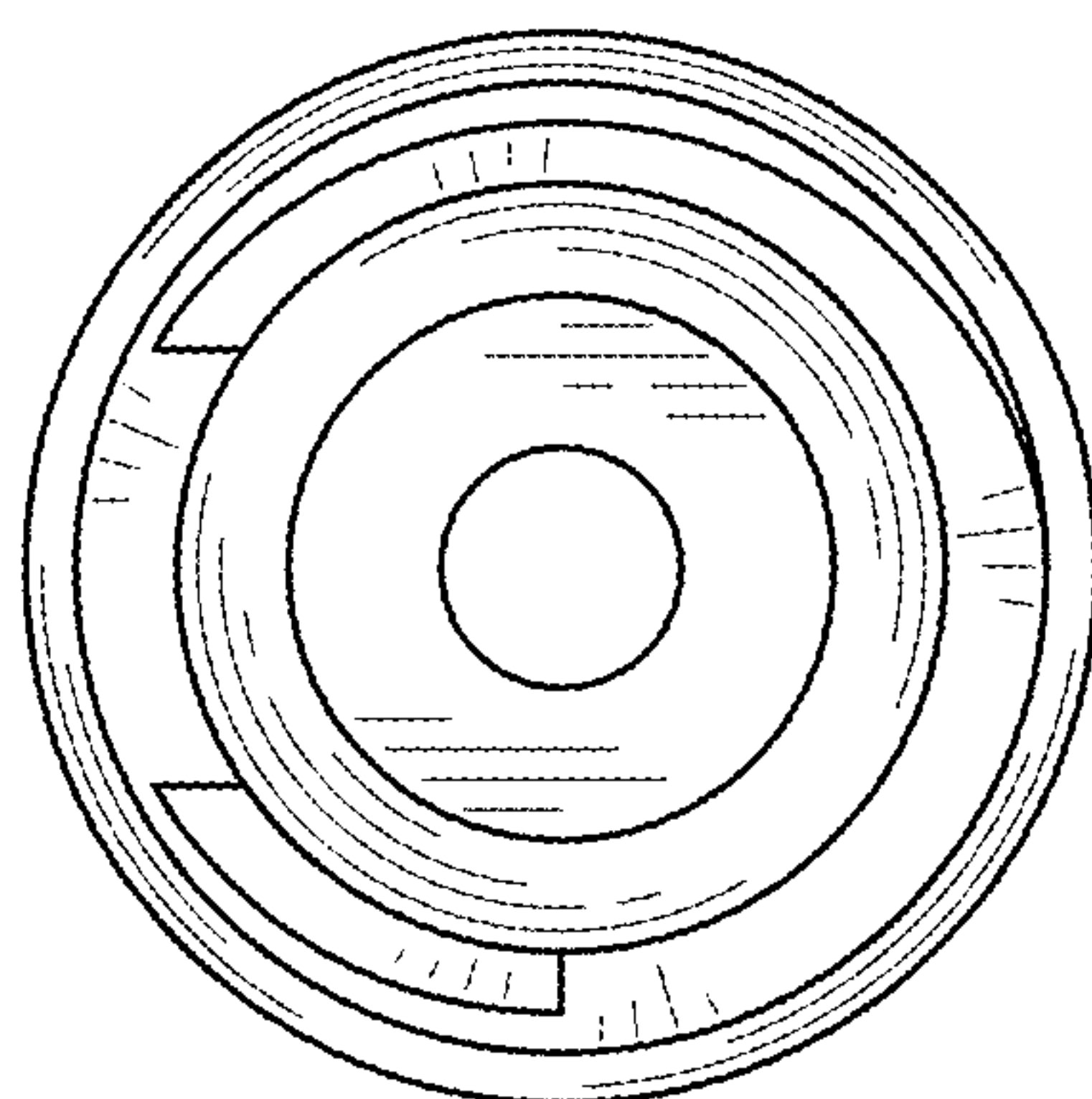


FIG. 5





**FIG. 6**



**FIG. 7**

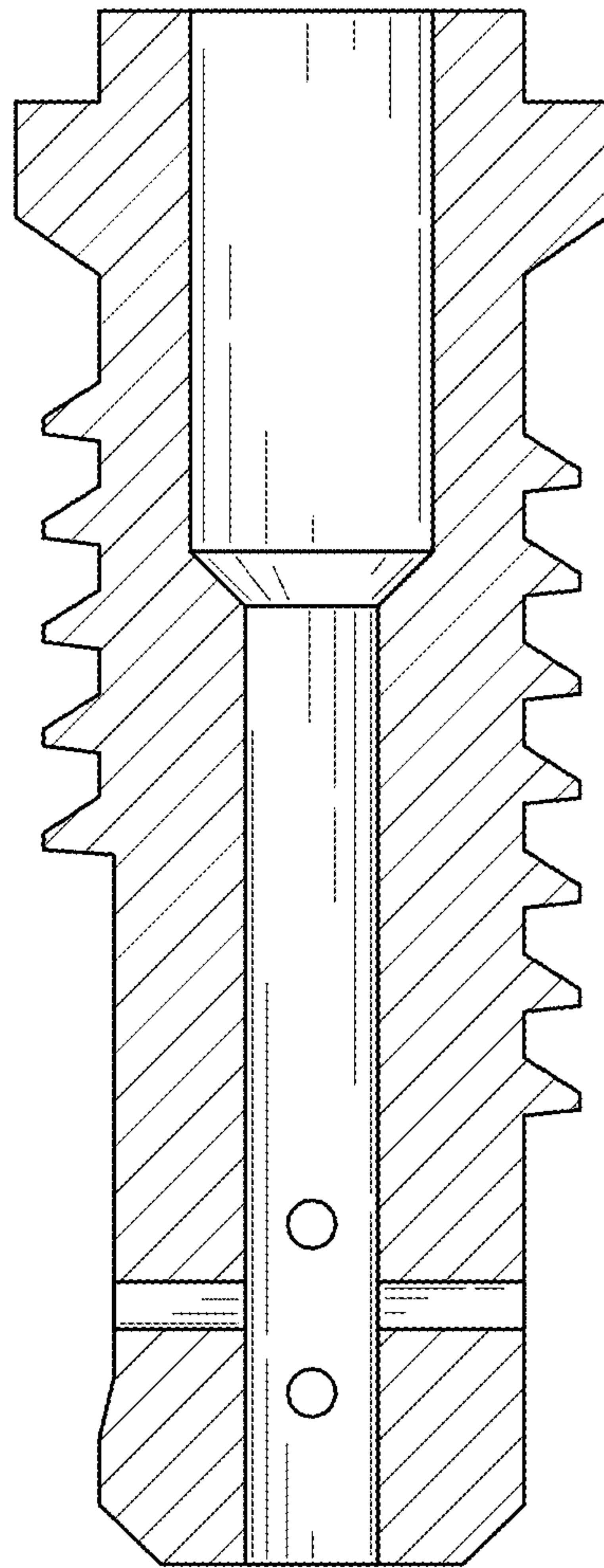


FIG. 8