



US00D765856S

(12) **United States Design Patent** (10) **Patent No.:** **US D765,856 S**  
**Schoene et al.** (45) **Date of Patent:** **\*\* Sep. 6, 2016**

(54) **DENTAL IMPLANT**  
(71) Applicant: **Vita Zahnfabrik H. Rauter GmbH & Co. KG**, Bad Saeckingen (DE)  
(72) Inventors: **Andre Schoene**, Bad Saeckingen (DE); **Jens Fischer**, Bad Saeckingen (DE)  
(73) Assignee: **Vita Zahnfabrik H. Rauter GmbH & Co. KG**, Bad Saeckingen (DE)

D603,513 S \* 11/2009 Emanuelli ..... D24/156  
D603,514 S \* 11/2009 Emanuelli ..... D24/156  
D604,851 S \* 11/2009 Ishikawa ..... D24/156  
D605,291 S \* 12/2009 Ishikawa ..... D24/156  
D665,910 S \* 8/2012 Hung ..... D24/156  
D666,295 S \* 8/2012 Hung ..... D24/156  
2005/0106534 A1 5/2005 Gahlert  
2005/0113834 A1 5/2005 Breitenstien et al.  
2005/0266380 A1 12/2005 Soler et al.  
2005/0266382 A1 12/2005 Soler et al.  
2006/0084035 A1 4/2006 Volz et al.

(Continued)

(\*\*) Term: **14 Years**

FOREIGN PATENT DOCUMENTS

(21) Appl. No.: **29/499,128**

CH 699905 B1 5/2010  
DE 9200264 U1 3/1992

(22) Filed: **Aug. 12, 2014**

(Continued)

(30) **Foreign Application Priority Data**

Feb. 14, 2014 (EM) ..... 001403158-0001

*Primary Examiner* — Charles Hanson

(51) **LOC (10) Cl.** ..... **24-02**

(74) *Attorney, Agent, or Firm* — Ohlandt, Greeley, Ruggiero & Perle, LLP

(52) **U.S. Cl.**  
USPC ..... **D24/156**

(57) **CLAIM**

(58) **Field of Classification Search**  
USPC ..... D24/155, 156  
CPC A61C 8/0089; A61C 8/0069; A61C 8/0054;  
A61C 8/00; A61C 8/0096; A61C 8/0039;  
A61C 8/0063; A61C 8/006; A61C 8/0001;  
A61C 8/0012; A61C 8/0075; A61C 13/225  
See application file for complete search history.

The ornamental design for a dental implant, as shown and described.

**DESCRIPTION**

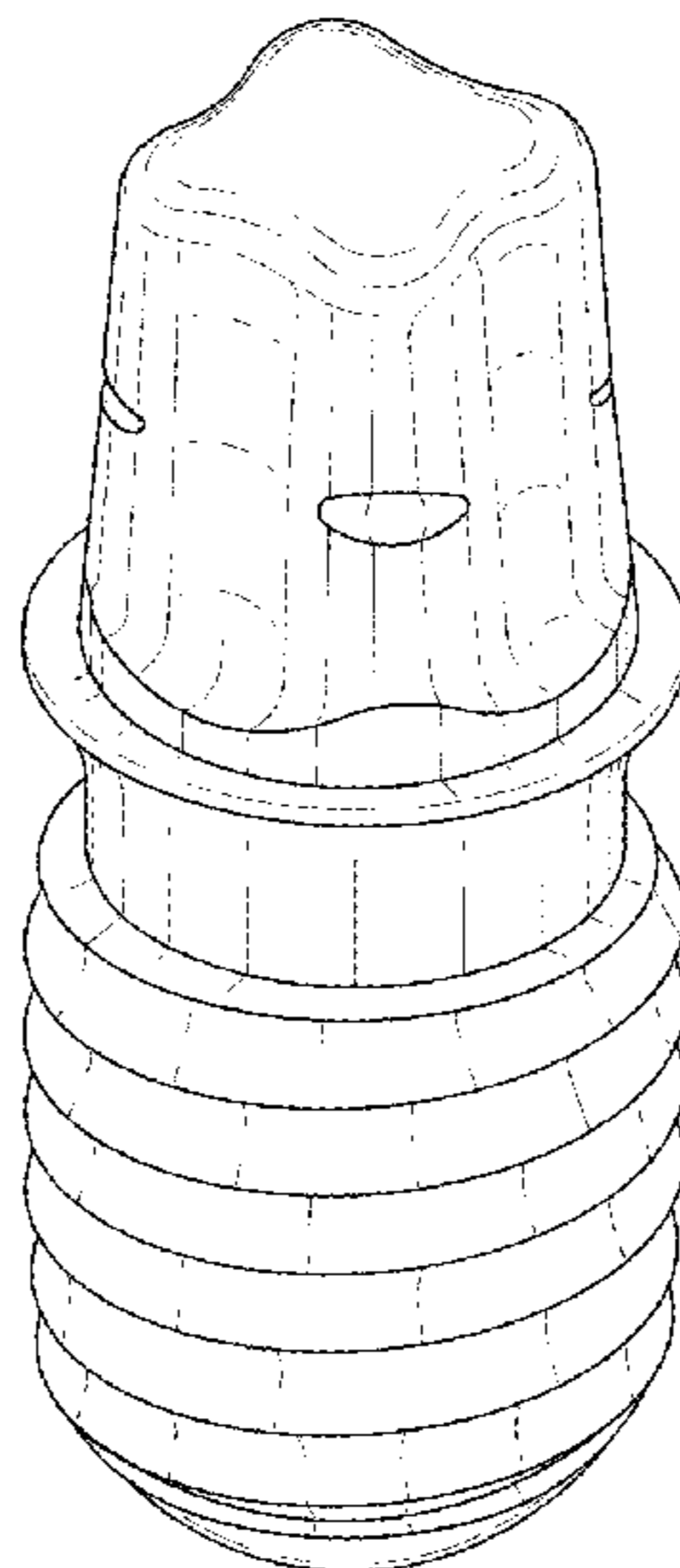
(56) **References Cited**

U.S. PATENT DOCUMENTS

6,386,877 B1 5/2002 Sutter  
6,460,601 B1 10/2002 Brehm  
6,461,160 B1 10/2002 Sutter  
D583,945 S \* 12/2008 Anitua Aldecoa ..... D24/156  
D588,699 S \* 3/2009 Aldecoa ..... D24/156  
D588,700 S \* 3/2009 Anitua Aldecoa ..... D24/156  
D603,512 S \* 11/2009 Emanuelli ..... D24/156

FIG. 1 is a side perspective view of a dental implant according to the present disclosure;  
FIG. 2 is a second side perspective view of the dental implant of FIG. 1;  
FIG. 3 is a third side perspective view of the dental implant of FIG. 1;  
FIG. 4 is a side view of the dental implant of FIG. 1;  
FIG. 5 a fourth side perspective view of the dental implant of FIG. 1;  
FIG. 6 a bottom view of the dental implant of FIG. 1; and,  
FIG. 7 a top view of the dental implant of FIG. 1.

**1 Claim, 6 Drawing Sheets**



(56)

References Cited

U.S. PATENT DOCUMENTS

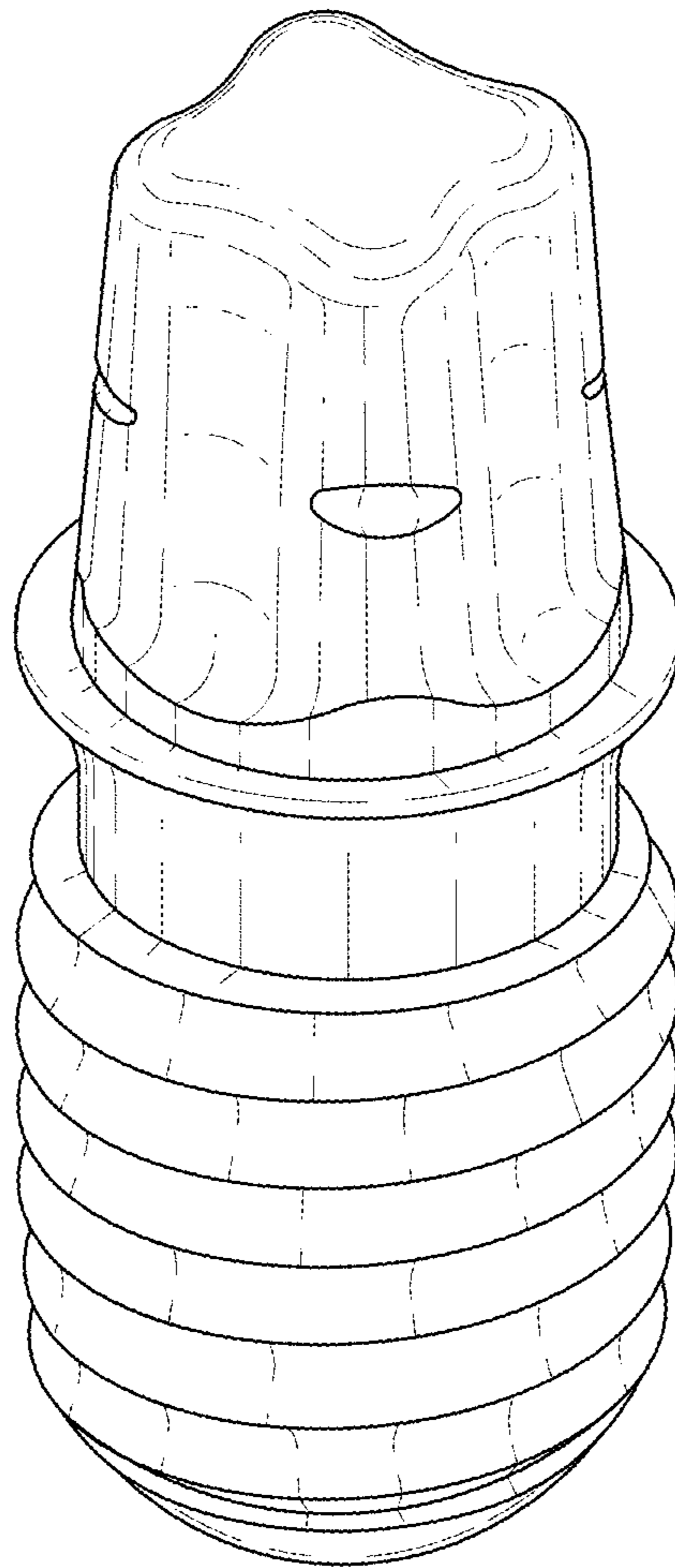
2007/0128580 A1 6/2007 Mörmann  
 2007/0202464 A1 8/2007 Schwarz et al.  
 2008/0014556 A1 1/2008 Neumeyer  
 2008/0057475 A1 3/2008 Feith  
 2008/0160483 A1 7/2008 Danger et al.  
 2008/0241789 A1 10/2008 Mundorf  
 2008/0293013 A1 11/2008 Lussi et al.  
 2009/0047635 A1 2/2009 Behrend et al.  
 2009/0075238 A1 3/2009 Galehr  
 2009/0076189 A1 3/2009 Matsushige et al.  
 2009/0142732 A1 6/2009 Kahdemann et al.  
 2010/0068675 A1 3/2010 Zucker  
 2010/0119994 A1 5/2010 Feith  
 2010/0330530 A1 12/2010 Menzel et al.  
 2011/0008753 A1 1/2011 Rupprecht et al.  
 2011/0014586 A1 1/2011 Jorneus et al.  
 2011/0045439 A1 2/2011 Tripodakis et al.  
 2011/0129105 A1 6/2011 Choi et al.  
 2012/0015325 A1 1/2012 Chen  
 2012/0164602 A1 6/2012 Lussi et al.  
 2013/0045464 A1 2/2013 Lussi

FOREIGN PATENT DOCUMENTS

DE 4120132 A1 12/1992  
 DE 4334608 A1 4/1995  
 DE 19822609 A1 12/1999  
 DE 10109118 A1 9/2002  
 DE 10159683 A1 6/2003  
 DE 10313825 A1 10/2004  
 DE 10319036 A1 11/2004  
 DE 10340059 A1 2/2005  
 DE 102004020192 A1 10/2005  
 DE 102004027543 A1 12/2005  
 DE 102004027959 A1 1/2006  
 DE 202006002232 U1 4/2006  
 DE 102005008273 A1 8/2006  
 DE 102006011800 A1 10/2006  
 DE 102005021807 B3 11/2006  
 DE 202006010552 U1 11/2006  
 DE 102005027402 A1 12/2006

DE 102005032938 A1 1/2007  
 DE 102005037809 A1 2/2007  
 DE 102006011629 A1 9/2007  
 DE 102006013456 A1 9/2007  
 DE 102006033547 A1 1/2008  
 DE 602004009279 T2 7/2008  
 DE 102007018453 B3 10/2008  
 DE 102007026325 A1 10/2008  
 DE 202008006129 U1 1/2009  
 DE 102007043837 A1 4/2009  
 DE 202008001585 U1 6/2009  
 DE 102008011963 A1 9/2009  
 DE 102008046027 B3 12/2009  
 DE 102008037859 A1 2/2010  
 DE 202010002259 U1 5/2010  
 DE 102010019387 A1 11/2011  
 DE 202011109973 U1 11/2012  
 DE 102011052644 A1 1/2013  
 EP 0664106 A2 7/1995  
 EP 1100395 A1 5/2001  
 EP 1100396 A1 5/2001  
 EP 1506745 A1 2/2005  
 EP 1598028 A1 11/2005  
 EP 1797840 A1 6/2007  
 EP 1825828 A1 8/2007  
 EP 1994907 A1 11/2008  
 EP 2022463 A1 2/2009  
 EP 2163221 A1 3/2010  
 EP 2286758 A1 2/2011  
 EP 2353540 A1 8/2011  
 EP 2535017 A1 12/2012  
 WO 9222261 A1 12/1992  
 WO 0134056 A1 5/2001  
 WO 2008009272 A1 1/2008  
 WO 2008138644 A1 11/2008  
 WO 2009009909 A1 1/2009  
 WO 2009063259 A2 5/2009  
 WO 2010025839 A1 3/2010  
 WO 2011012285 A1 2/2011  
 WO 2011092315 A1 8/2011  
 WO 2011119131 A1 9/2011  
 WO 2011120649 A1 10/2011  
 WO 2013011003 A1 1/2013  
 WO 2013021000 A1 2/2013

\* cited by examiner



*FIG. 1*

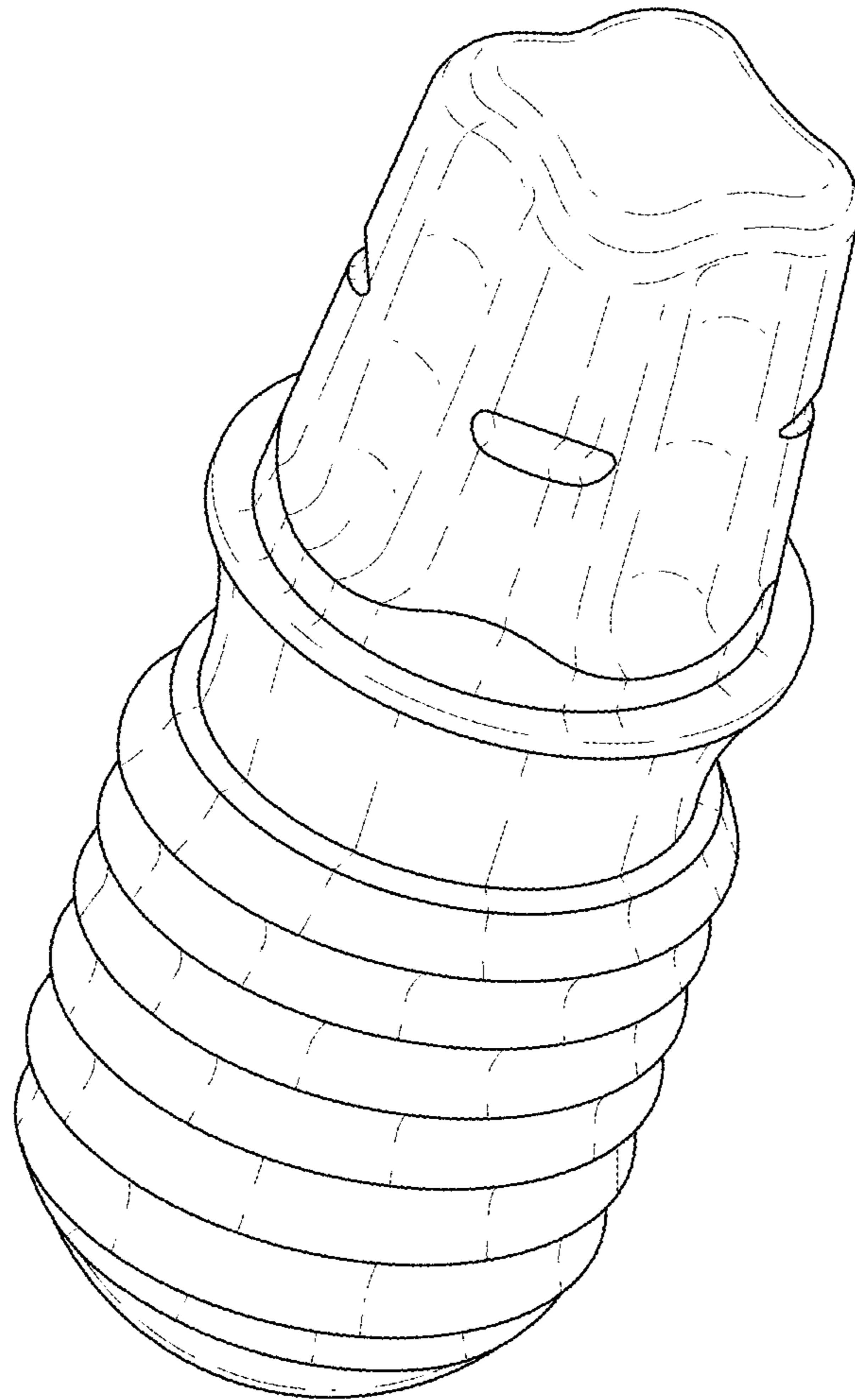
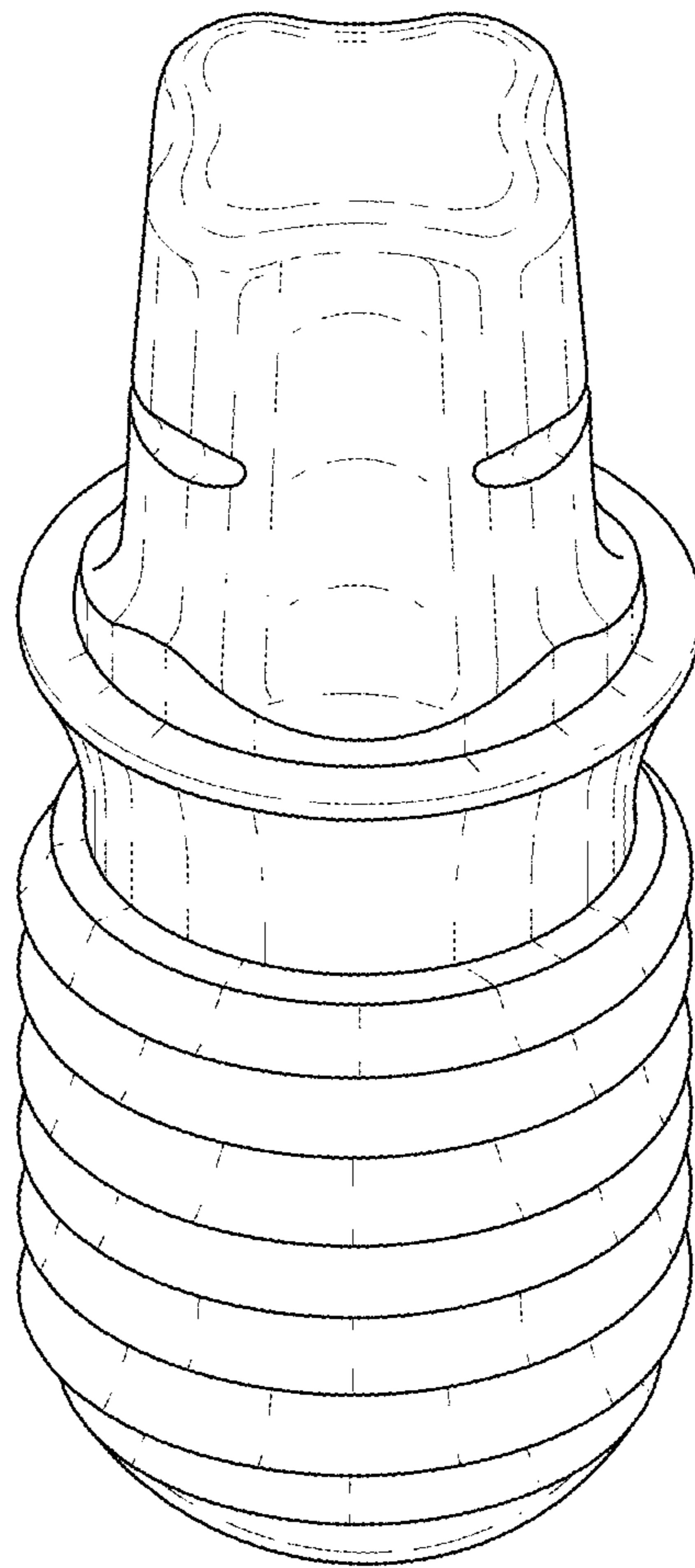


FIG. 2



*FIG. 3*

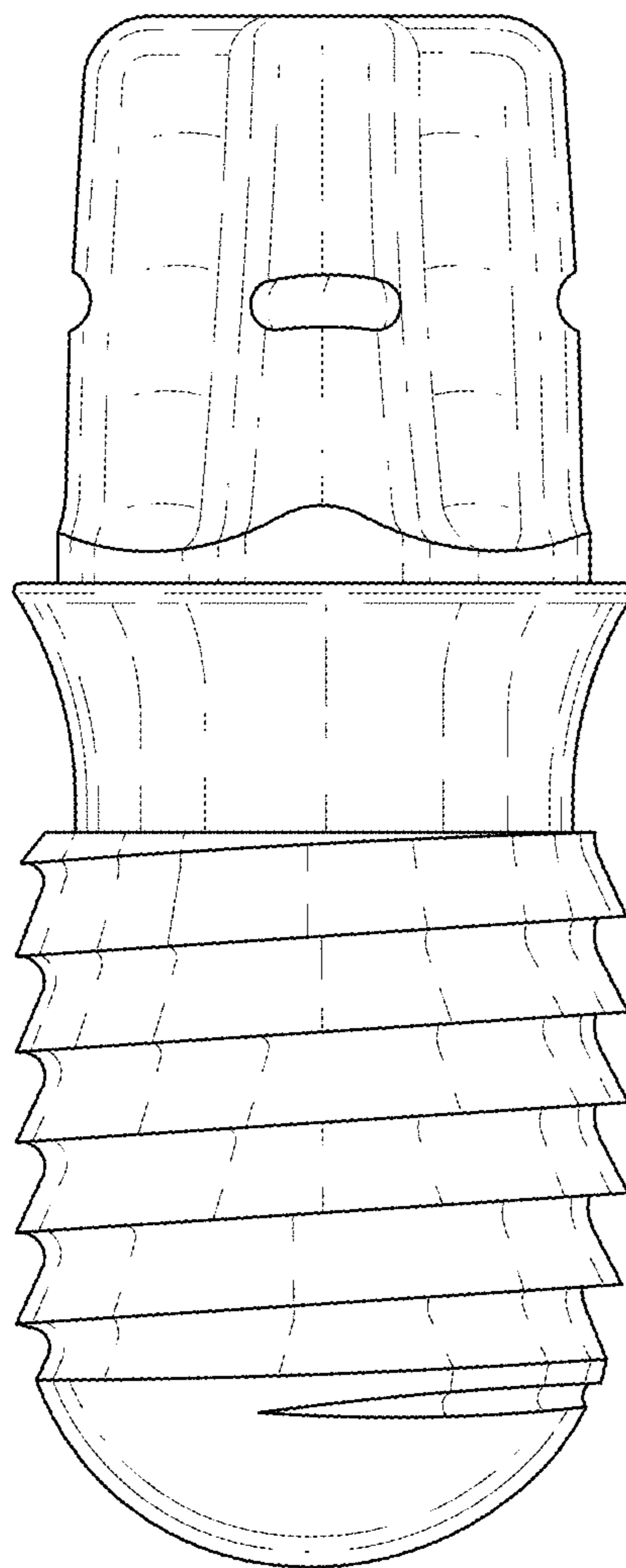


FIG. 4

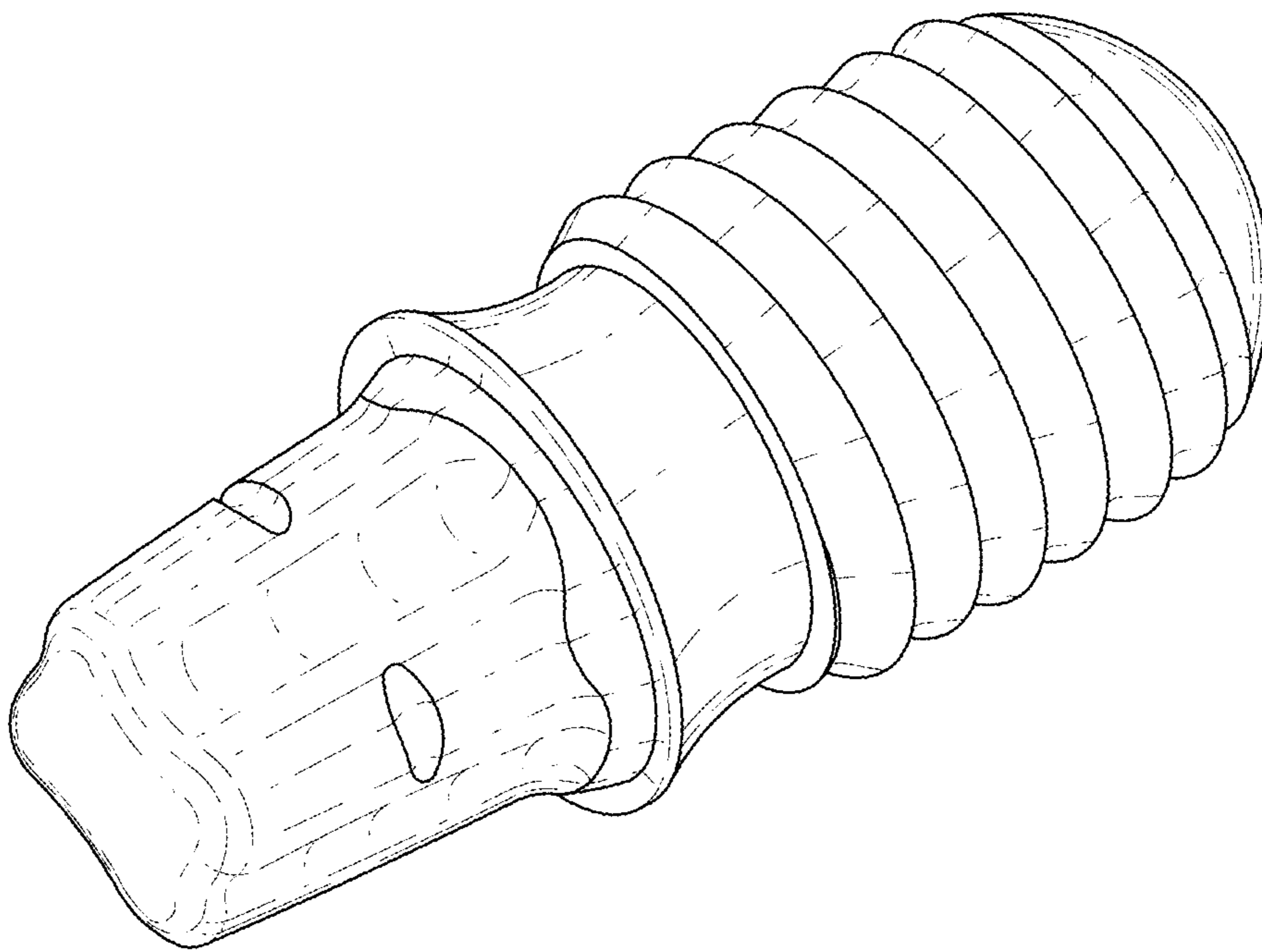
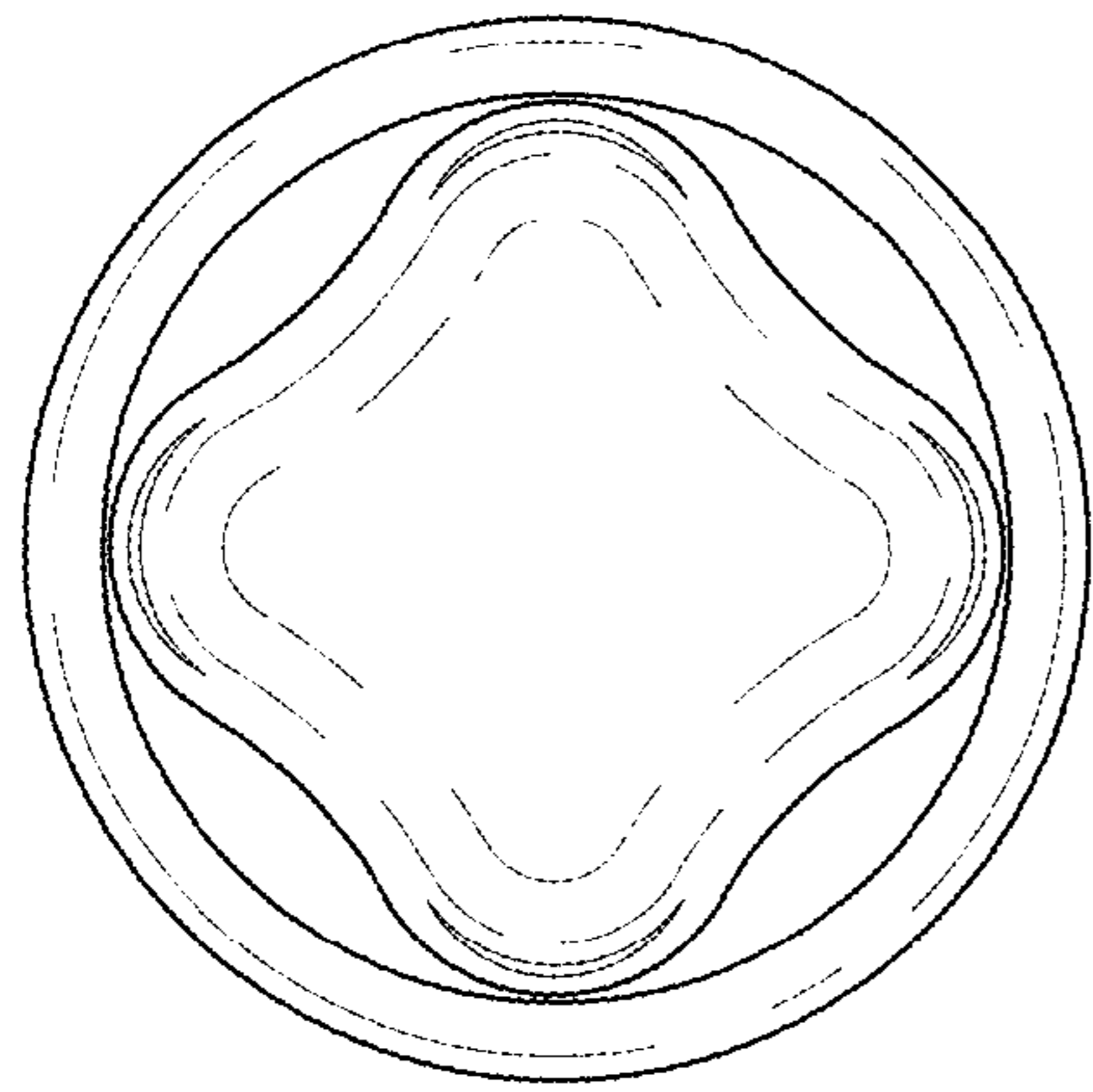
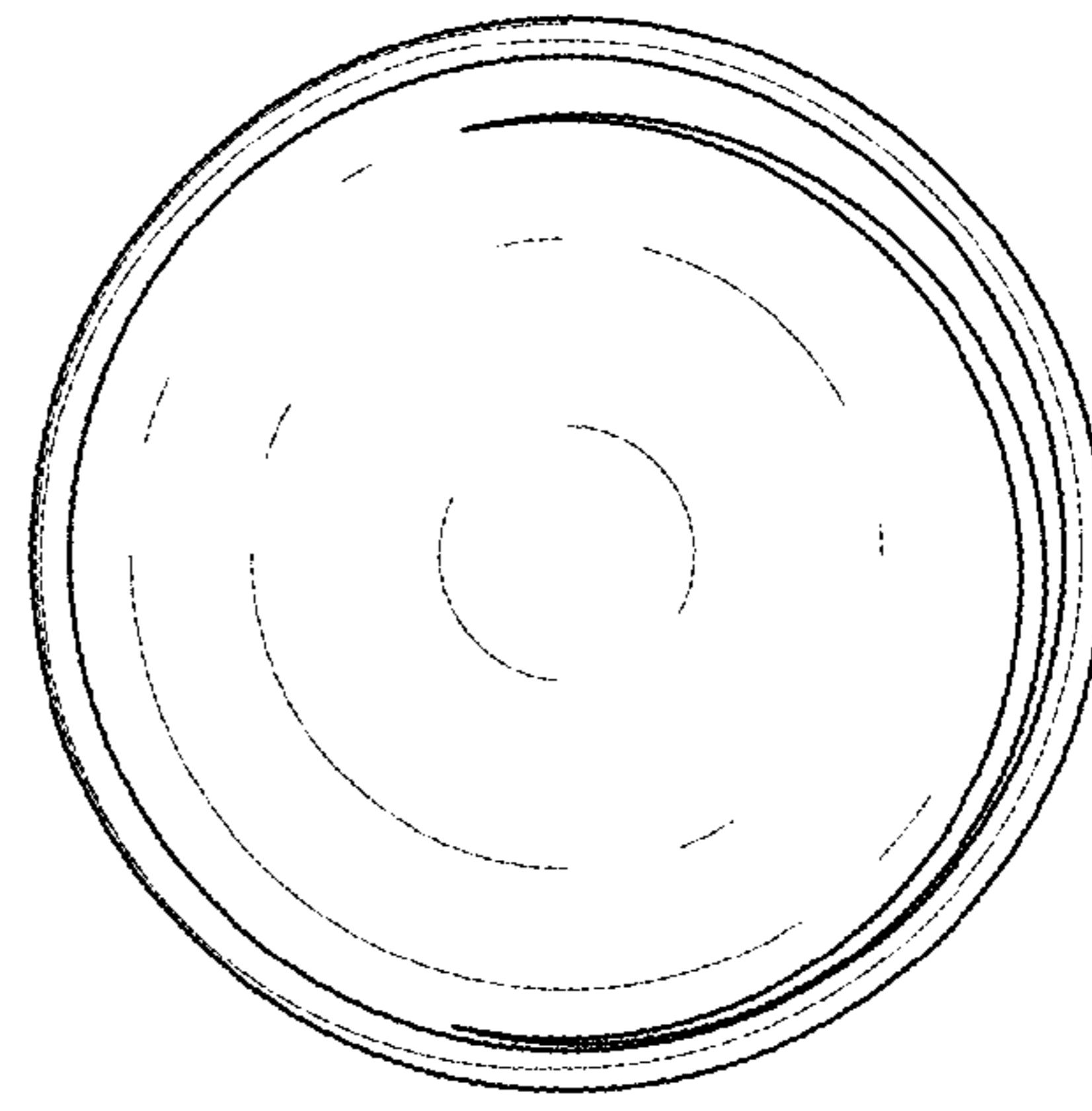


FIG. 5



*FIG. 6*



*FIG. 7*