



US00D765849S

(12) **United States Design Patent**
Radzinsky

(10) **Patent No.:** **US D765,849 S**
(45) **Date of Patent:** **** Sep. 6, 2016**

- (54) **PLUG**
- (71) Applicant: **Vladimir Radzinsky**, Torrance, CA (US)
- (72) Inventor: **Vladimir Radzinsky**, Torrance, CA (US)
- (**) Term: **14 Years**
- (21) Appl. No.: **29/517,949**
- (22) Filed: **Feb. 18, 2015**

5,653,768 A	8/1997	Kania	
5,735,021 A *	4/1998	Briggs	E05D 5/125 16/2.1
5,779,735 A	7/1998	Molino	
5,888,214 A	3/1999	Ochoa	
5,888,232 A	3/1999	Taylor	
6,231,618 B1 *	5/2001	Schall	A61F 2/76 623/33
D462,767 S *	9/2002	Meyer	D24/155
D462,769 S *	9/2002	Meyer	D24/155
6,511,512 B2 *	1/2003	Phillips	A61F 2/60 623/27
7,033,400 B2	4/2006	Currier	

Related U.S. Application Data

- (60) Division of application No. 14/204,591, filed on Mar. 11, 2014, which is a continuation-in-part of application No. 14/162,087, filed on Jan. 23, 2014, now Pat. No. 9,155,635.
- (51) **LOC (10) Cl.** **24-02**
- (52) **U.S. Cl.**
USPC **D24/155**
- (58) **Field of Classification Search**
USPC D24/155
CPC A61F 2/80; A61F 2/60; A61F 2/76;
A61F 2/68; A61F 2/64; A61F 2220/0025;
A61F 2220/41; A61F 2002/607; A61F
2002/802; A61F 2002/5007
See application file for complete search history.

(Continued)

FOREIGN PATENT DOCUMENTS

DE	10027760 A1	12/2001
EP	267347 A1	5/1988
EP	0976370	5/2000

OTHER PUBLICATIONS

A-525 / 4 Hole Rotating Base with Pyramid 98g Rated To 300 LBS / 136 kg.

(Continued)

Primary Examiner — Charles Hanson
(74) *Attorney, Agent, or Firm* — Fulwider Patton LLP

(56) **References Cited**

U.S. PATENT DOCUMENTS

1,481,784 A *	1/1924	Warner	F16B 21/06 16/4
1,617,925 A	2/1927	Shrodes	
1,826,683 A *	10/1931	Warner	A44B 17/007 24/690
1,831,307 A *	11/1931	King	A44B 17/0005 24/689
2,564,858 A *	8/1951	Reiter	A44B 17/007 24/621
4,593,431 A *	6/1986	Sandberg	E05D 15/44 16/381
4,608,054 A *	8/1986	Schroder	A61F 2/60 623/27
5,571,211 A	11/1996	Hiemisch et al.	
5,647,105 A *	7/1997	Candotti	A44B 17/007 24/691

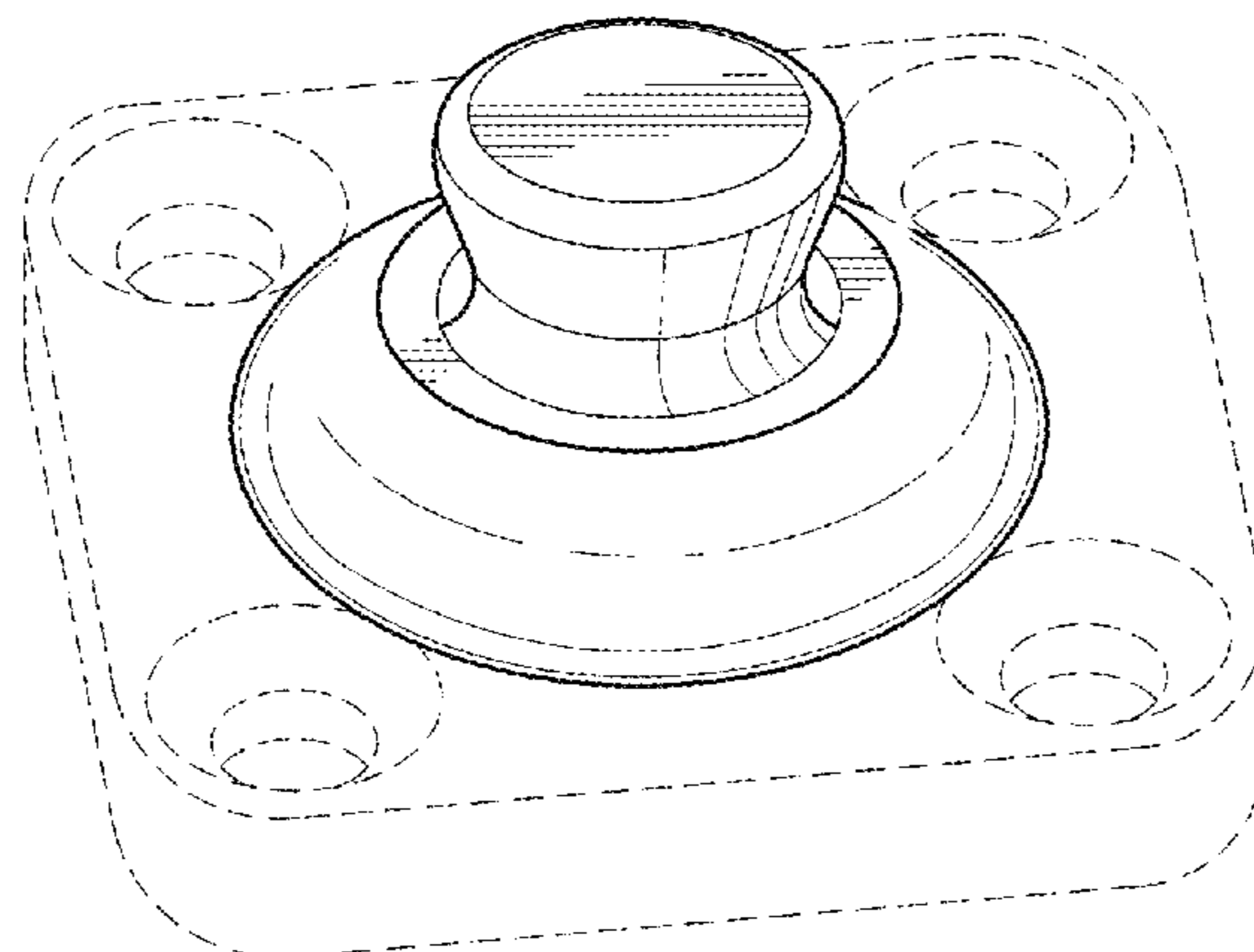
(57) **CLAIM**

The ornamental design for a plug, as shown and described.

DESCRIPTION

FIG. 1 is a perspective view of the plug, where the reverse side is a mirror image;
FIG. 2 is a front elevation view of the plug, where the left side, right side, and rear side are mirror images;
FIG. 3 is a top plan view of the plug; and,
FIG. 4 is a bottom plan view of the plug.
The broken line showing of is included for the purpose of illustrating environment and forms no part of the claimed design.

1 Claim, 2 Drawing Sheets



(56)

References Cited

U.S. PATENT DOCUMENTS

D527,458 S * 8/2006 Harn D24/155
D617,460 S * 6/2010 Okuda D24/155
7,727,285 B2 * 6/2010 Christensen A61F 2/66
623/55
7,766,974 B2 * 8/2010 Curtis A61F 2/66
623/55
D736,385 S * 8/2015 Nakaya D24/155
9,138,624 B2 * 9/2015 Maugham A63B 57/0075
2005/0033451 A1 2/2005 Aigner et al.
2005/0049720 A1 3/2005 Benson
2008/0228288 A1 9/2008 Nelson et al.
2008/0298886 A1 12/2008 Chen
2012/0018594 A1 1/2012 Radzinsky

OTHER PUBLICATIONS

SK&P Website: <http://www.simplyknobsandpulls.com/bargain-bin/>.

A-692 HD 4 Hole Connector without Pyramid Hole 56g Rated to 350 lbs / 159 kg.

Derwent Abstract of SU564862. Kondrashin. Aug. 22, 1977.
Endolite male pyramid. Verified by the wayback machine Sep. 28, 2013.
Kingsley SACH foot adapter. Verified by the wayback machine May 5, 2007.
Medi Clever Bones (1, 2 are different views). Verified by the wayback machine Jul. 20, 2013.
English translation of EP0976370 from Espacenet.
Angarami, Geraldo. An Efficient Low Cost Prosthetic Structural System. Journal of Prosthetics and Orthotics. 1998, vol. 1, No. 2, 86-91.
Edwards, Mark. Solutions for the Prosthetic Fitting of Bariatric Patients Using Ottobock Components. The Academy Today. Jan. 2013.
Derwent Abstract of DE20112494. Published Nov. 8, 2001. Medi Bayreuth Weihermueller and Voigtmann.
An Efficient Low Cost Prosthetic Structural System, Geraldo r. Angarami, C.P. / Carlos E. Samaria; Source: Journal of Prosthetics and Orthotics 1989; vol. 1, No. 2, p. 86; URL: http://www.oandp.org/ipo/library/1989_02_086.asp.

* cited by examiner

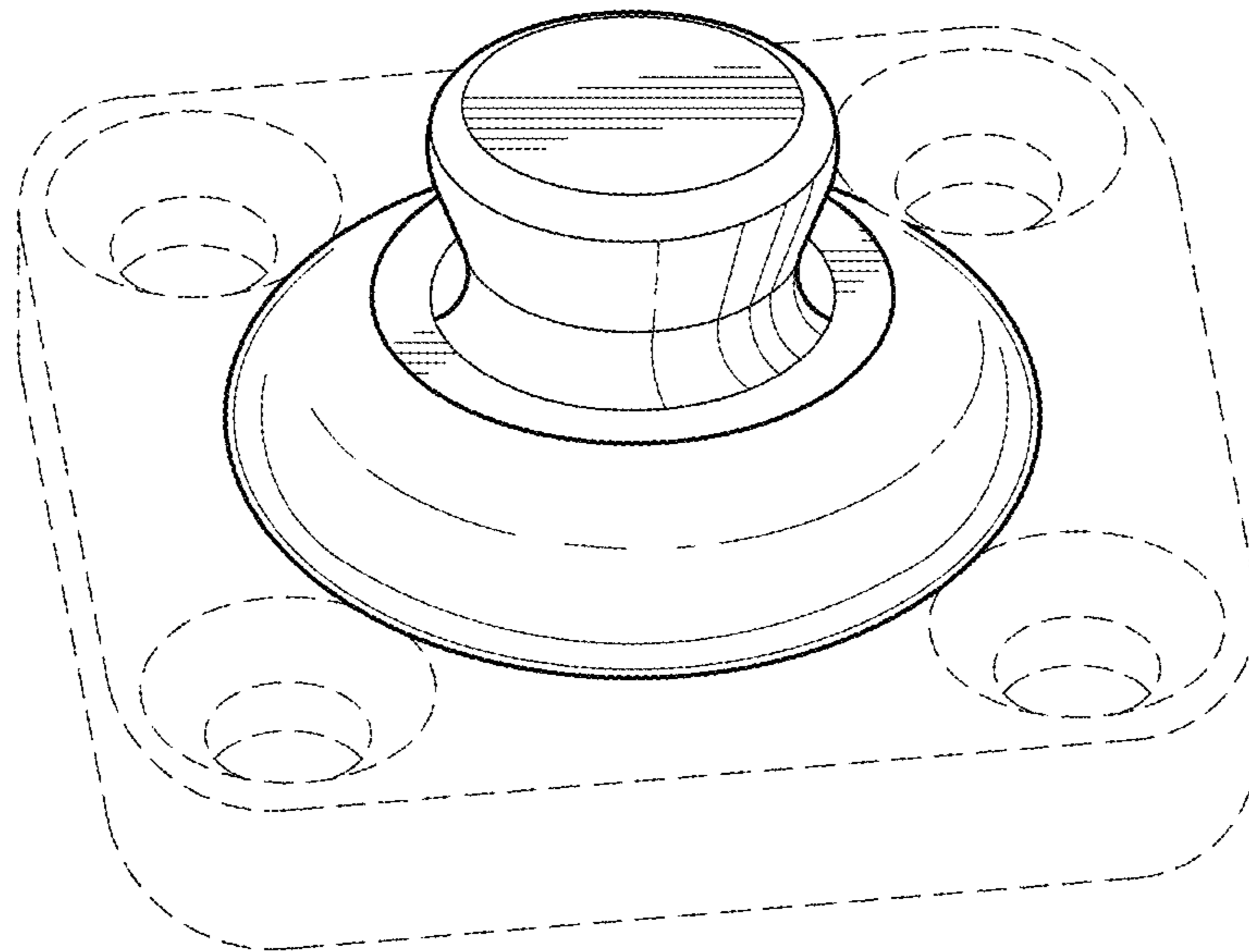


FIG. 1

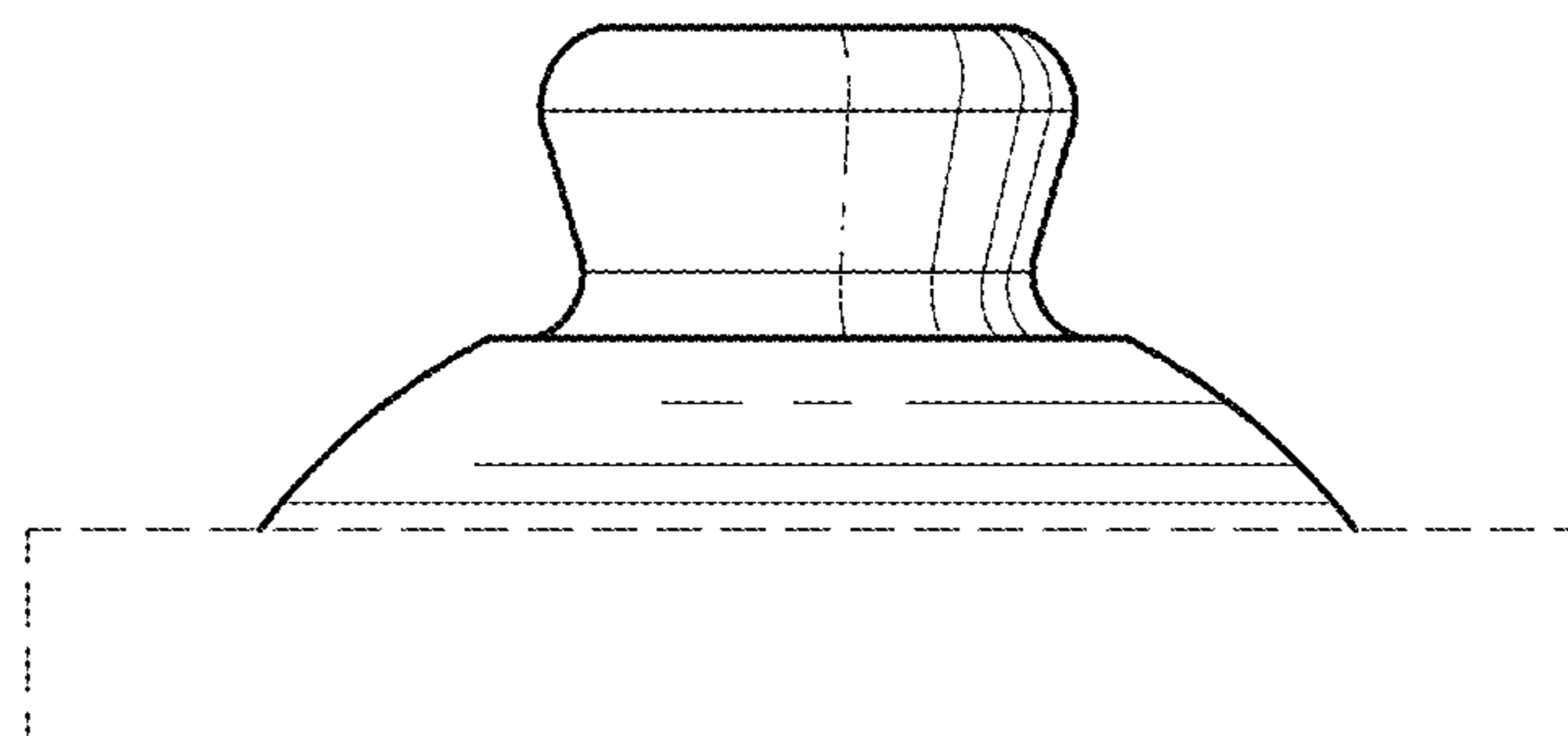


FIG. 2

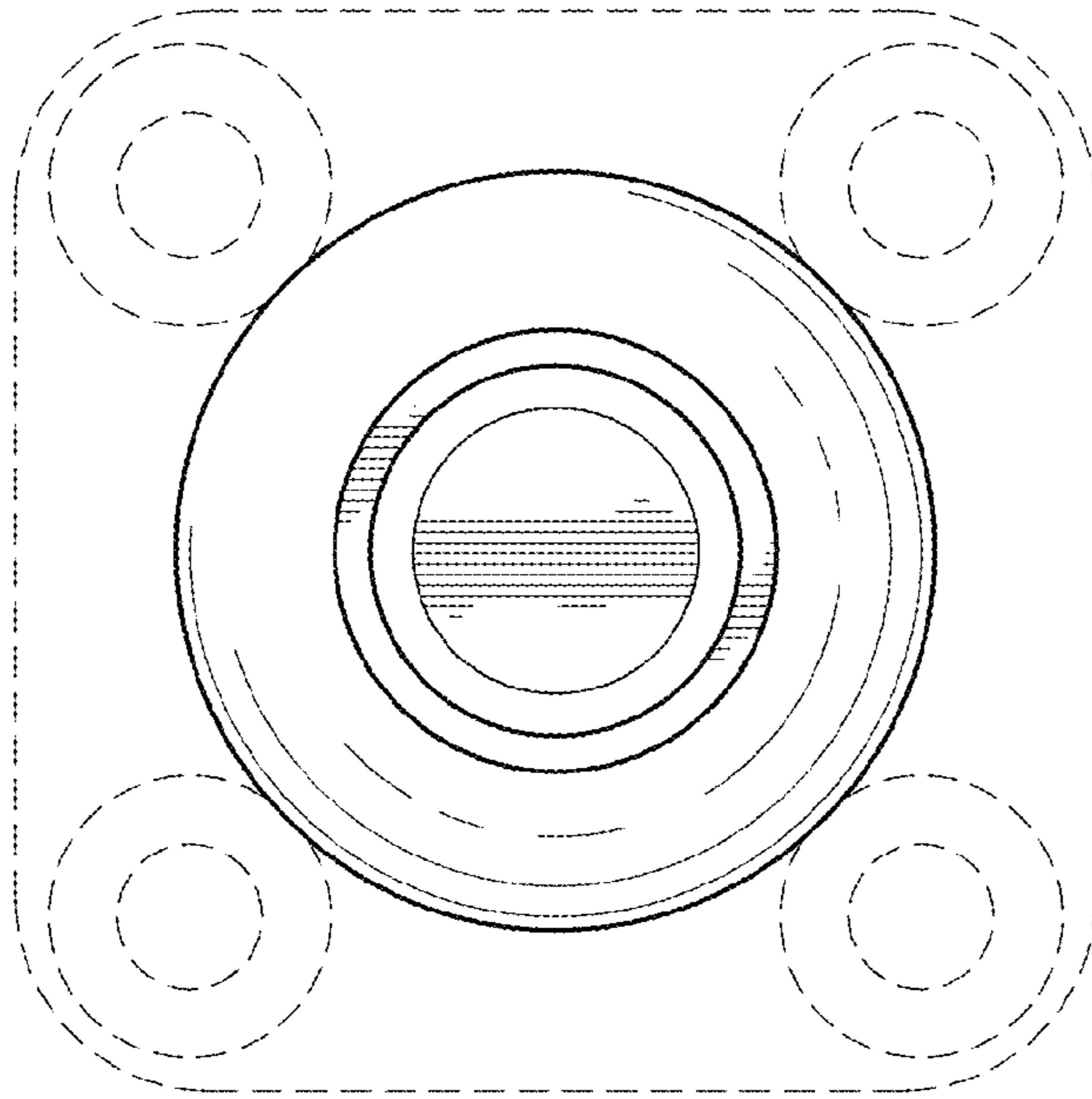


FIG. 3

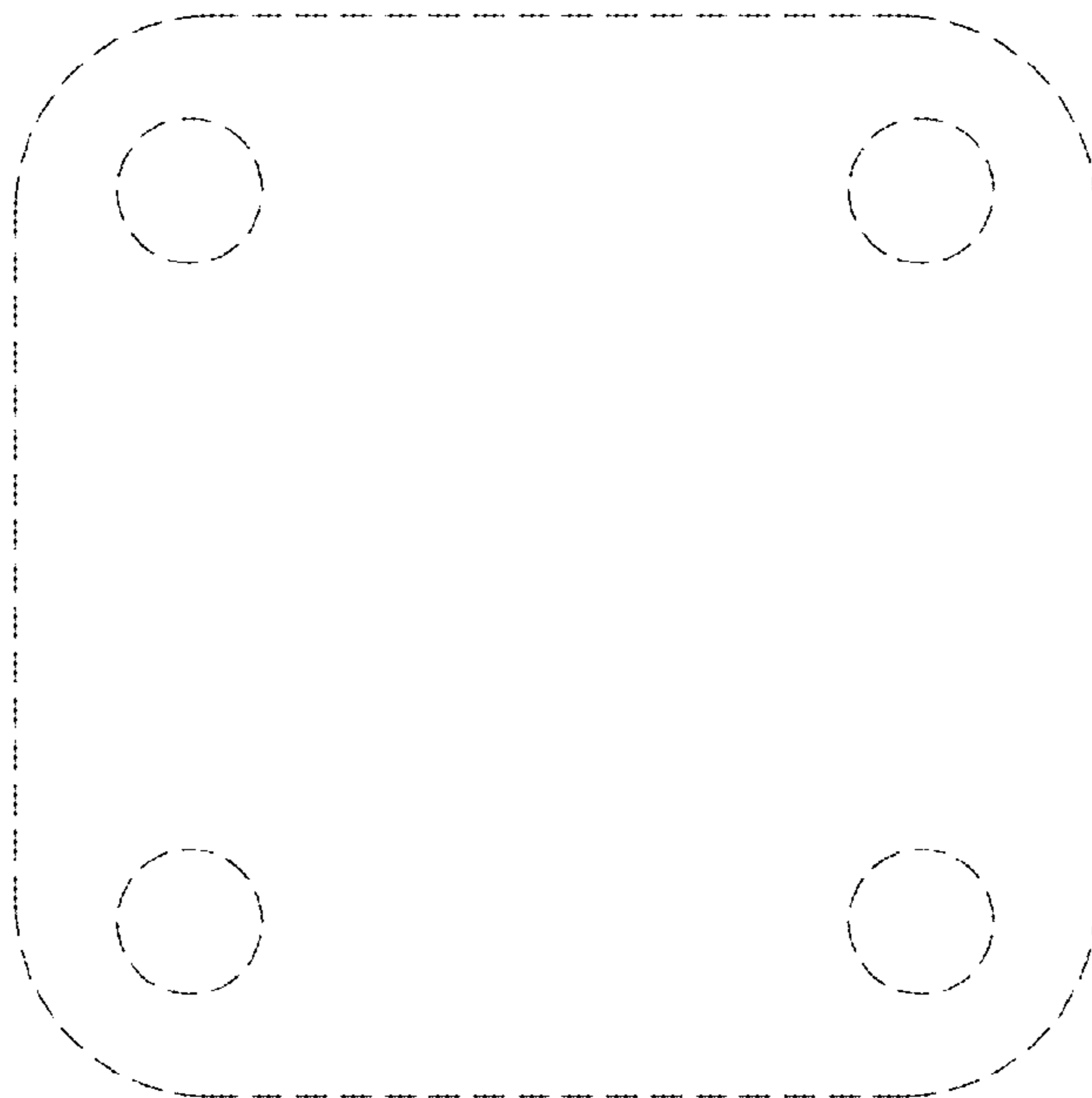


FIG. 4