



US00D765843S

(12) **United States Design Patent** (10) **Patent No.:** **US D765,843 S**  
**Breault et al.** (45) **Date of Patent:** **\*\* Sep. 6, 2016**

(54) **MOUNTING TAB FOR A CRANIAL IMPLANT**

(71) Applicant: **Kelyniam Global, Inc.**, Canton, CT (US)

(72) Inventors: **Nicholas Breault**, Bloomfield, CT (US); **Merwin Schaefer**, Plainville, CT (US)

(73) Assignee: **KELYNIAM GLOBAL, INC.**, Canton, CT (US)

(\*\*) Term: **14 Years**

(21) Appl. No.: **29/472,313**

(22) Filed: **Nov. 11, 2013**

(51) **LOC (10) Cl.** ..... **24-02**

(52) **U.S. Cl.**  
USPC ..... **D24/155**

(58) **Field of Classification Search**  
USPC ..... D24/155-157

CPC ..... A61B 17/8061; A61B 17/7059; A61B 17/8052; A61B 17/8605; A61B 17/8085; A61B 17/809; A61B 17/8014; A61B 17/8033; A61B 17/8004; A61B 17/888; A61B 17/842; A61B 17/8023; A61B 17/8009; A61B 17/86; A61B 17/1739; A61B 17/8066; A61B 17/1671; A61B 17/1757; A61B 17/8071; A61B 17/176; A61B 2017/1782; A61B 2017/1775

See application file for complete search history.

(56) **References Cited**

**U.S. PATENT DOCUMENTS**

4,573,458 A \* 3/1986 Lower ..... A61B 17/8085 606/280  
4,923,471 A \* 5/1990 Morgan ..... A61B 17/8085 606/285

4,959,065 A \* 9/1990 Arnett ..... A61B 17/8085 606/285  
5,372,598 A \* 12/1994 Luhr ..... A61B 17/8085 606/285  
D395,138 S \* 6/1998 Ohata ..... D24/155  
5,964,765 A \* 10/1999 Fenton, Jr. .... A61B 17/0487 606/103  
6,325,803 B1 \* 12/2001 Schumacher ..... A61B 17/8047 606/104  
6,436,099 B1 \* 8/2002 Drewry ..... A61B 17/7022 606/300

\* cited by examiner

*Primary Examiner* — Charles Hanson

(74) *Attorney, Agent, or Firm* — Steven M. McHugh

(57) **CLAIM**

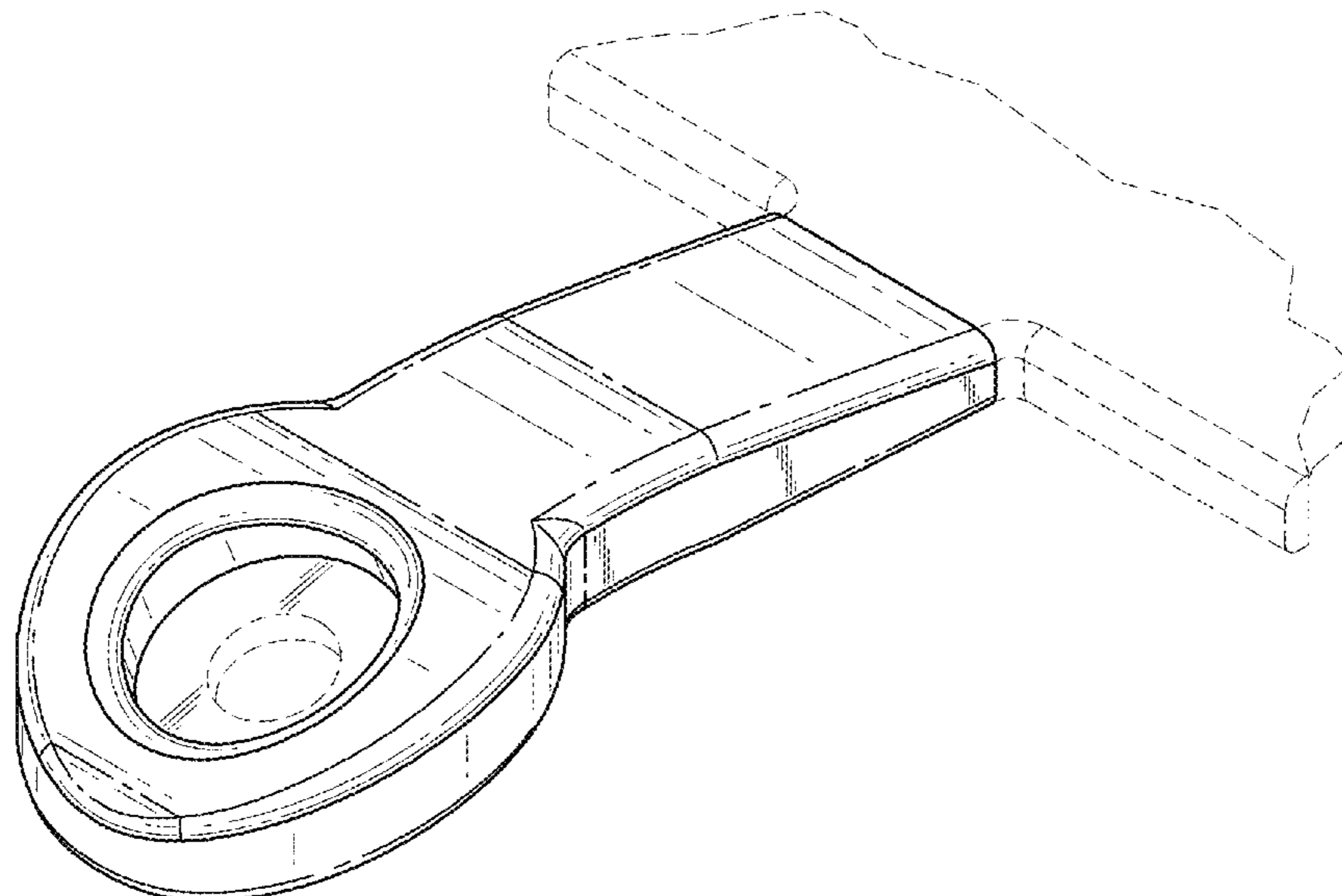
The ornamental design for a mounting tab for a cranial implant, as shown and described.

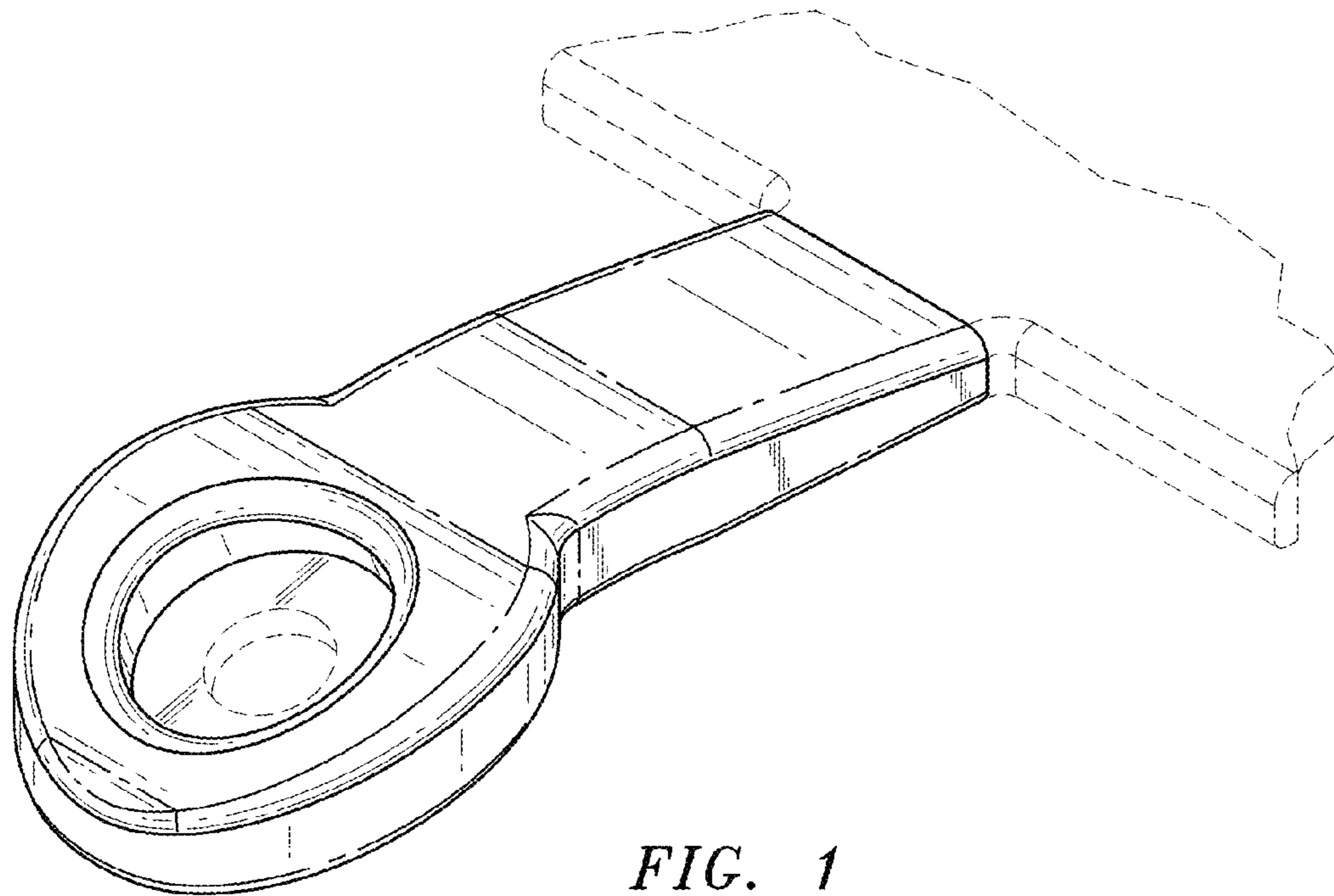
**DESCRIPTION**

FIG. 1 is a top front-right isometric view of a mounting tab for a cranial implant showing our new design; FIG. 2 is a bottom front-left isometric view thereof; FIG. 3 is a left side view thereof; FIG. 4 is a right side view thereof; FIG. 5 is a front view thereof; FIG. 6 is a rear view thereof; FIG. 7 is a top view thereof; and, FIG. 8 is a bottom view thereof.

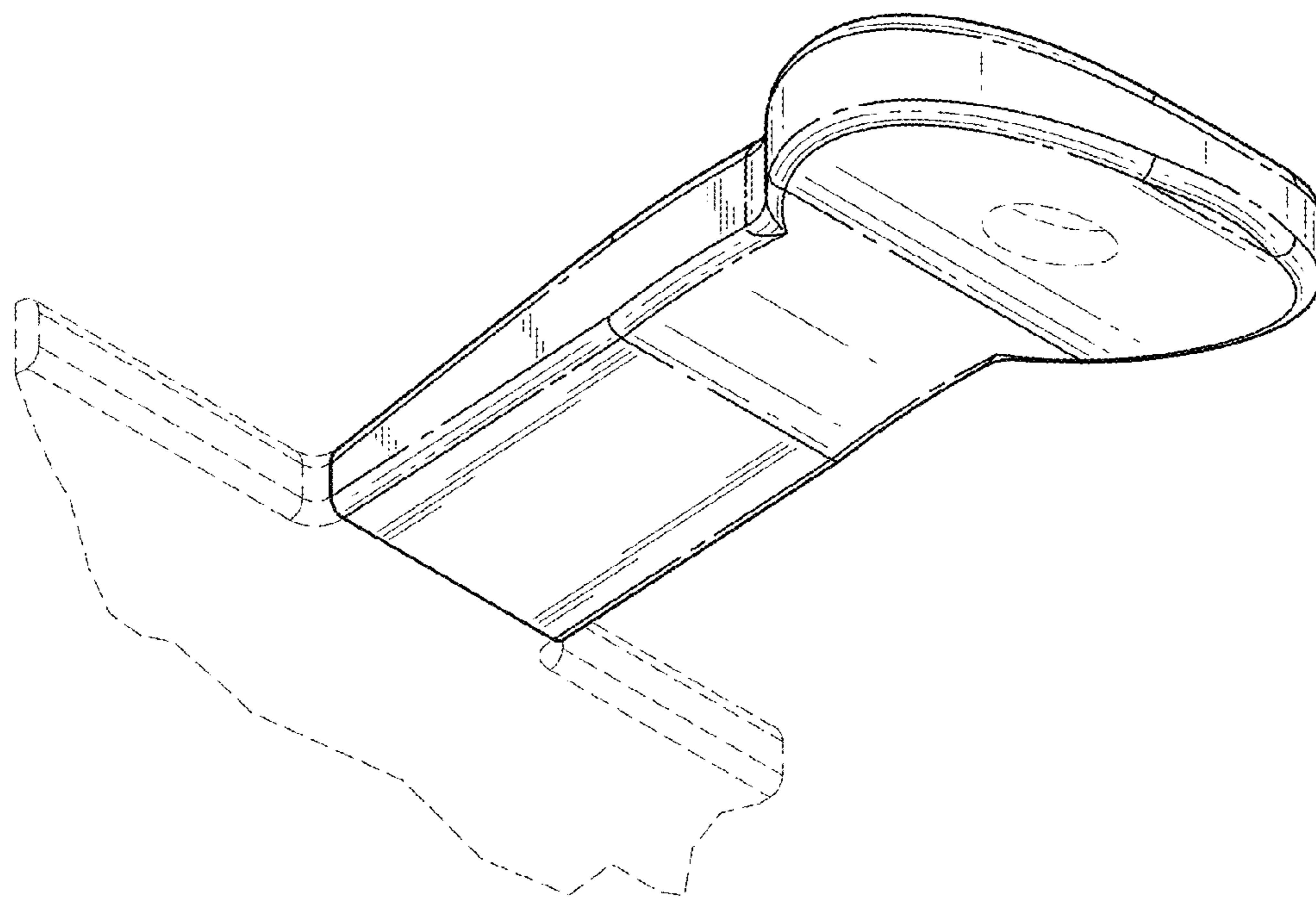
The broken line showing of the hole indicates unclaimed subject matter and the broken line showing of the attached member indicate environment and form no part of the claimed design.

**1 Claim, 3 Drawing Sheets**





*FIG. 1*



*FIG. 2*

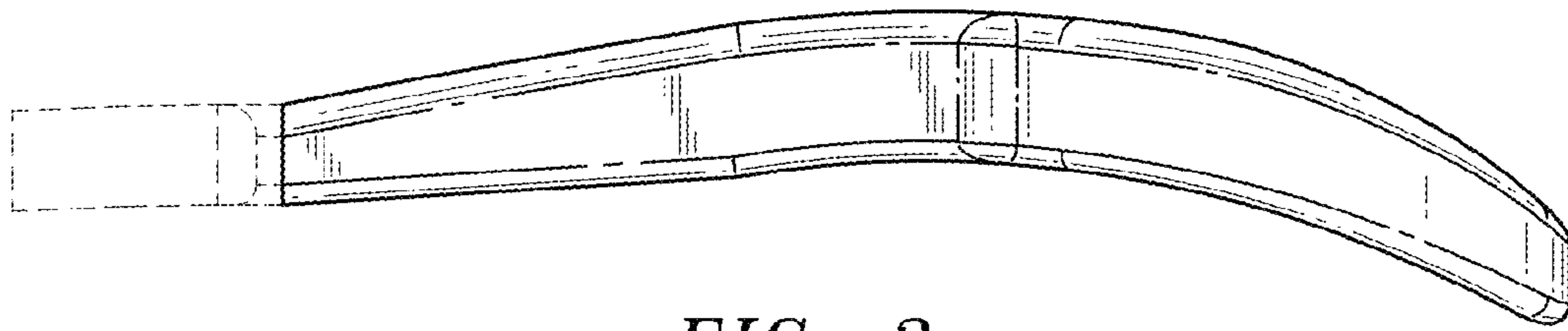


FIG. 3

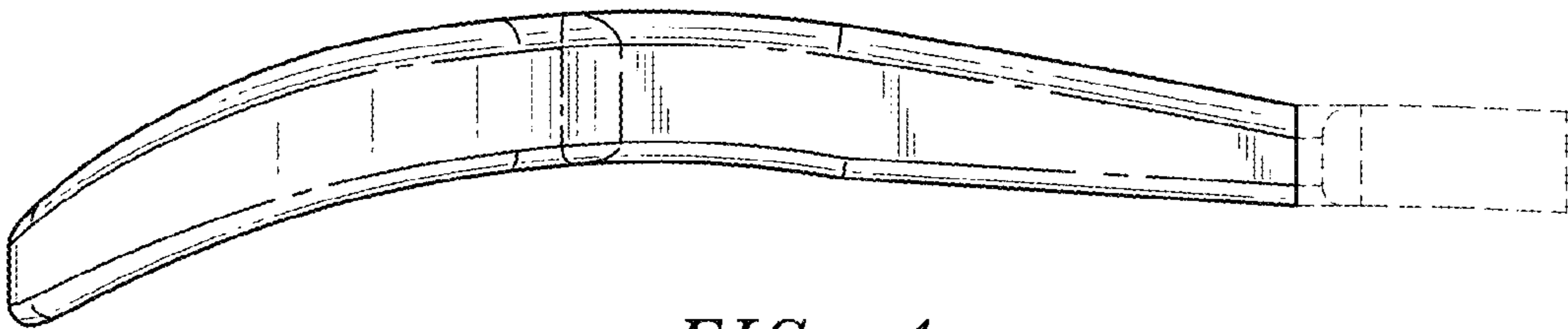


FIG. 4

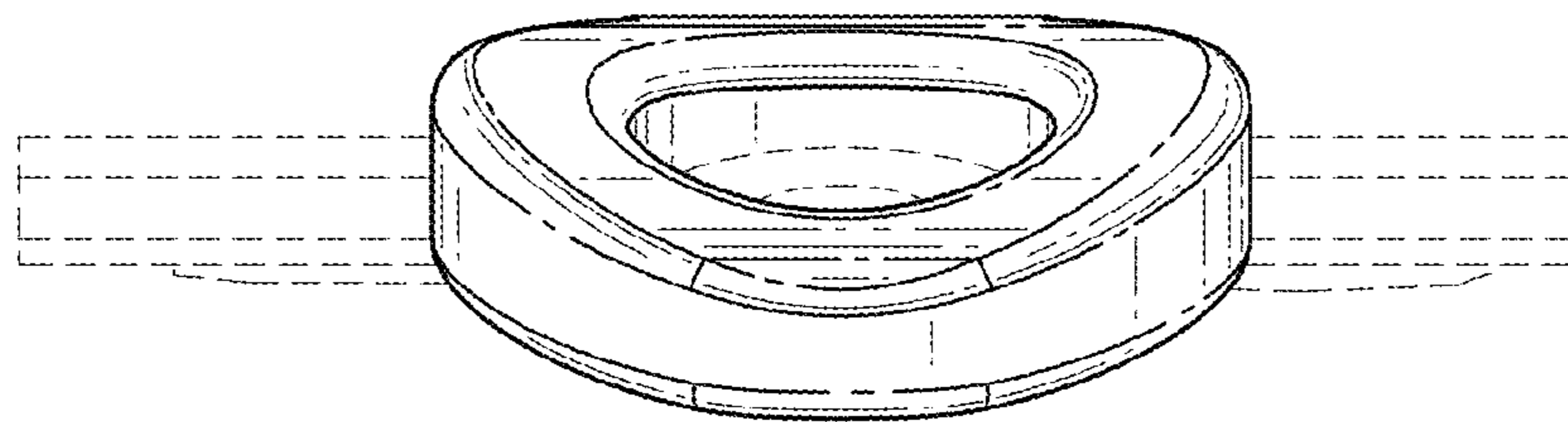


FIG. 5

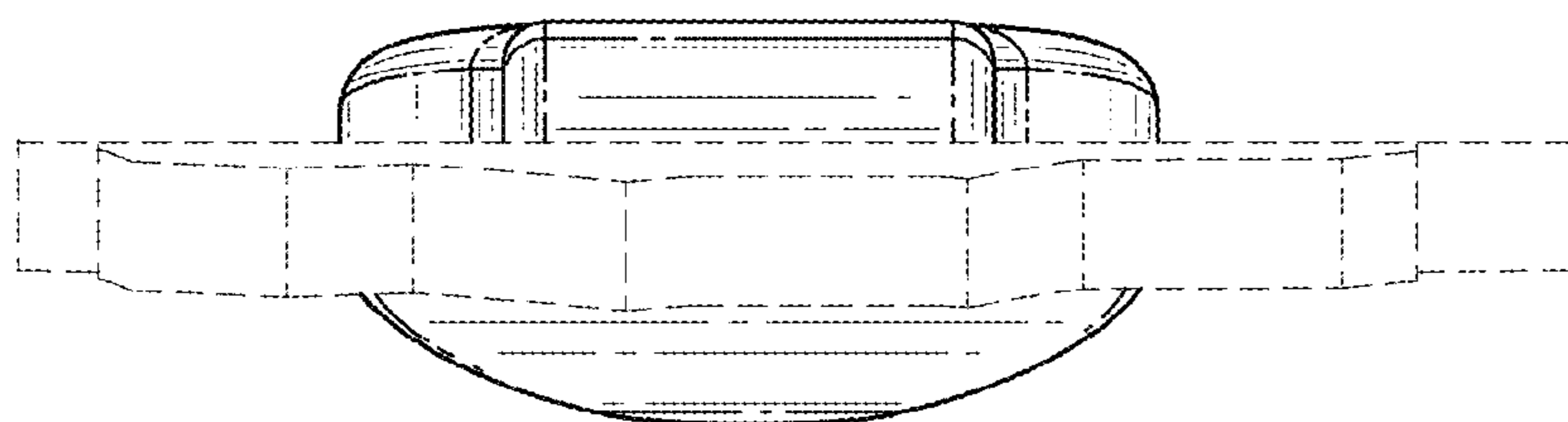


FIG. 6

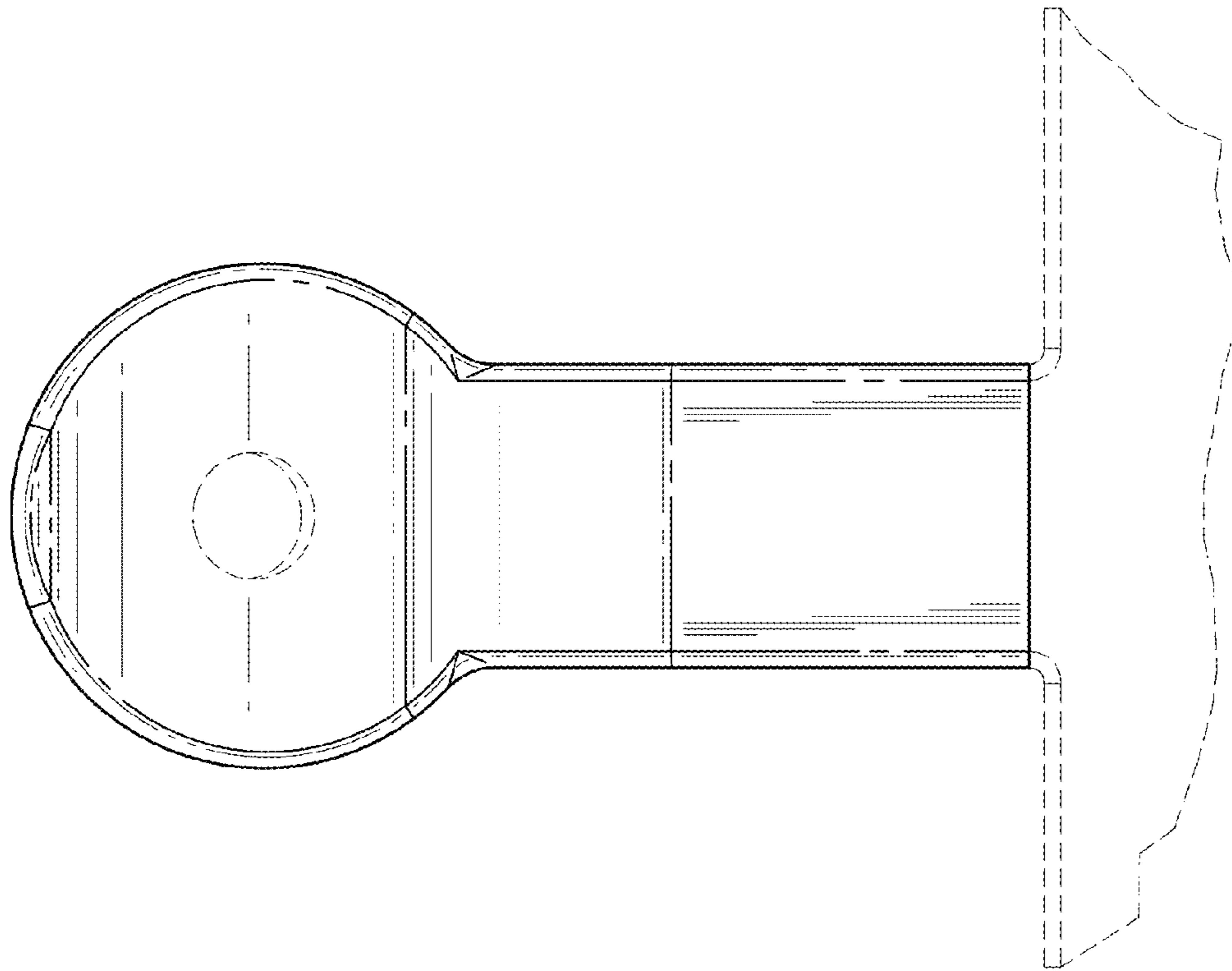


FIG. 7

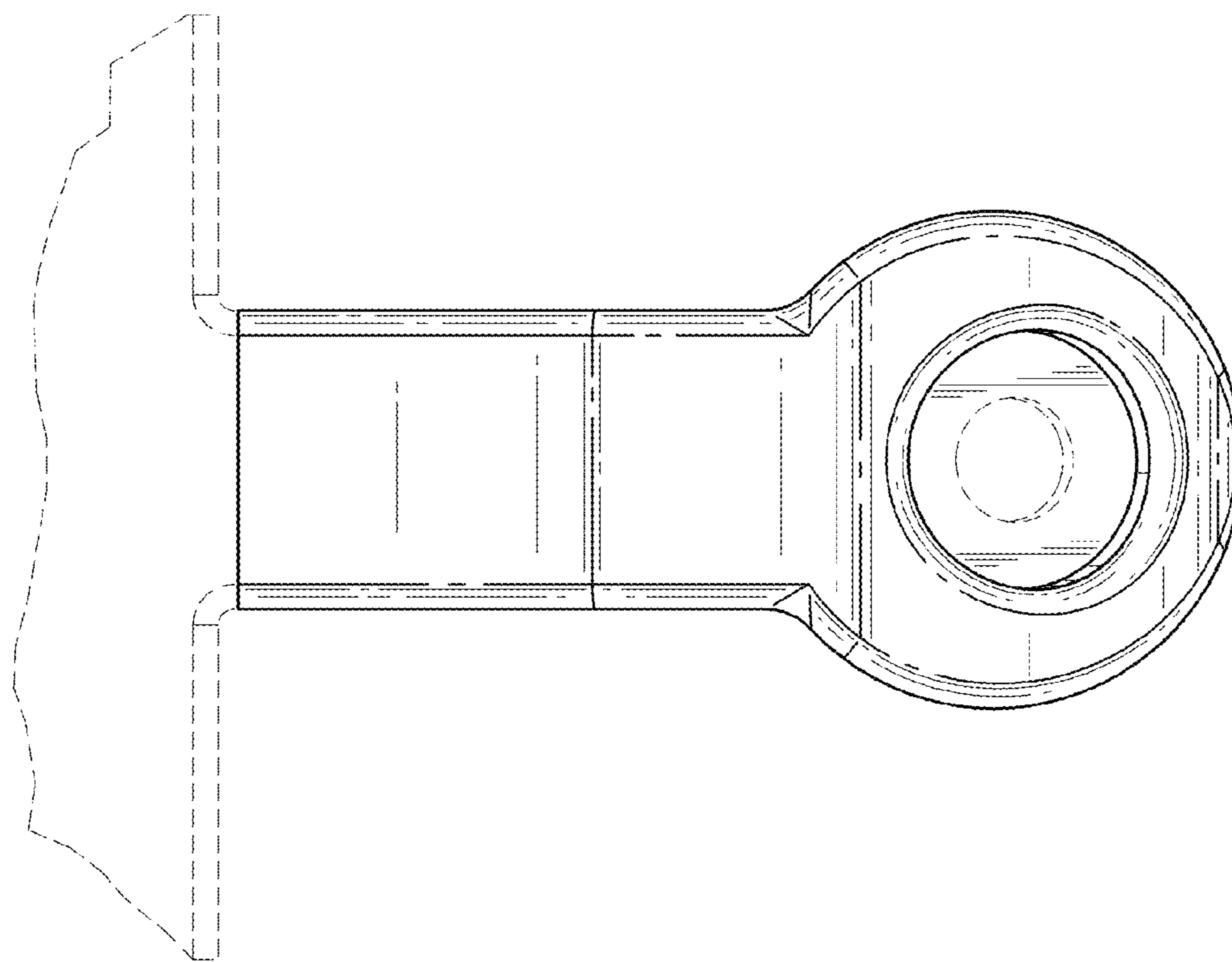


FIG. 8