



US00D765841S

(12) **United States Design Patent**
Schuerg

(10) **Patent No.:** **US D765,841 S**

(45) **Date of Patent:** **** Sep. 6, 2016**

(54) **HAND GRIP**

(71) Applicant: **Erbe Elektromedizin GmbH**,
Tuebingen (DE)

(72) Inventor: **Peter Schuerg**, Moessingen (DE)

(73) Assignee: **ERBE ELEKTROMEDIZIN GMBH**,
Tuebingen (DE)

(**) Term: **14 Years**

(21) Appl. No.: **29/475,689**

(22) Filed: **Dec. 5, 2013**

(30) **Foreign Application Priority Data**

Jun. 5, 2013 (EM) 002249672

(51) **LOC (10) Cl.** **24-02**

(52) **U.S. Cl.**
USPC **D24/144**

(58) **Field of Classification Search**
USPC D24/133, 144, 147; 606/1, 42, 45, 41,
606/49
CPC A61B 18/1402; A61B 15/14; A61B
18/1477; A61B 2018/00708
See application file for complete search history.

(56) **References Cited**

U.S. PATENT DOCUMENTS

5,282,799 A * 2/1994 Rydell 606/42
5,800,431 A * 9/1998 Brown 606/42

D402,030 S * 12/1998 Roberts et al. D24/144
6,258,088 B1 * 7/2001 Tzonev et al. 606/42
6,402,748 B1 * 6/2002 Schoenman et al. 606/45
D547,867 S * 7/2007 Malis et al. D24/144
7,503,917 B2 * 3/2009 Sartor et al. 606/45
8,690,872 B2 * 4/2014 Jayaraj 606/41
2011/0092971 A1 * 4/2011 Sartor et al. 606/42

* cited by examiner

Primary Examiner — Wan Laymon

(74) *Attorney, Agent, or Firm* — Fitch, Even, Tabin &
Flannery LLP

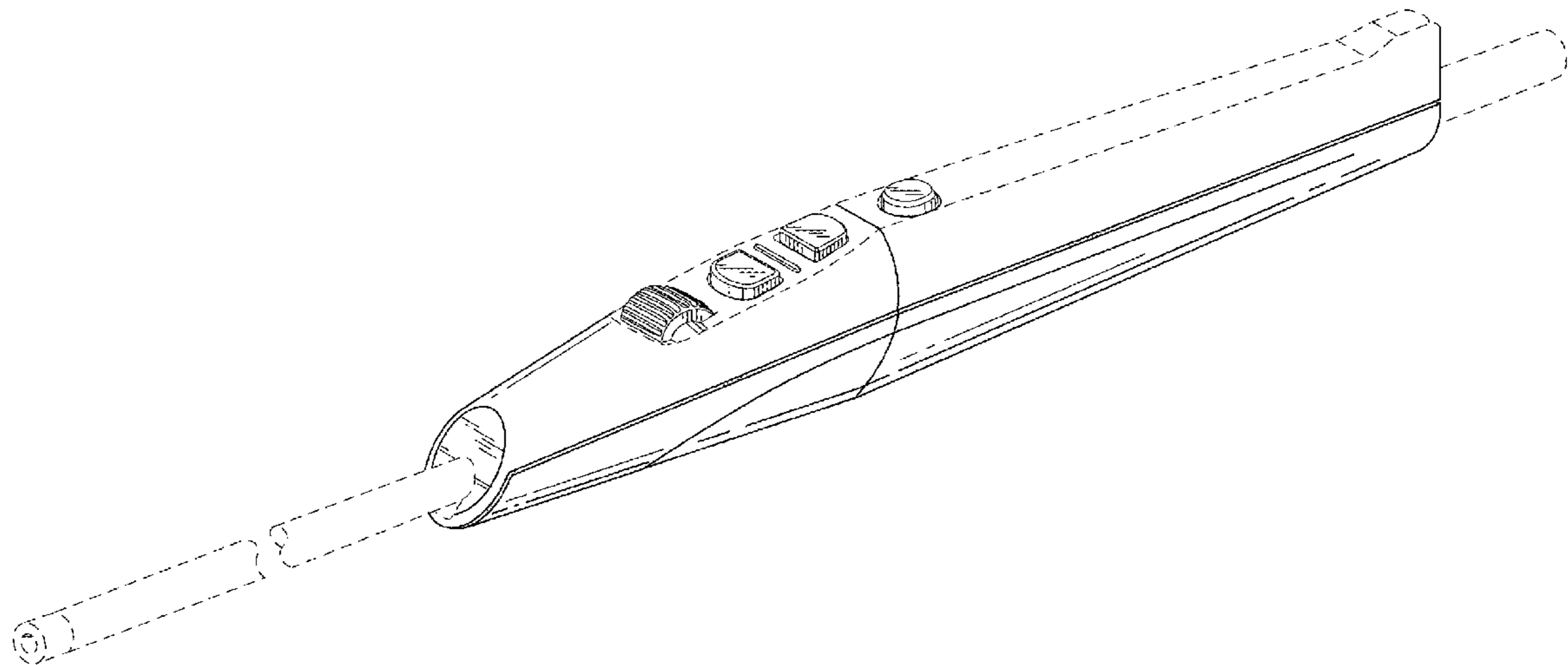
(57) **CLAIM**

I claim the ornamental design for a hand grip, as shown and
described.

DESCRIPTION

FIG. 1 is a front perspective view of a hand grip in
accordance with my new design;
FIG. 2 is a top plan view of the hand grip of FIG. 1;
FIG. 3 is a left side elevational view of the hand grip of FIG.
1, the right side elevational view being a mirror image
thereof;
FIG. 4 is an enlarged front elevational view of the hand grip
of FIG. 1;
FIG. 5 is an enlarged rear elevational view of the hand grip
of FIG. 1; and,
FIG. 6 is a bottom plan view of the hand grip of FIG. 1.
The broken lines shown in the figures represent portions of
the hand grip that form no part of the claimed design.

1 Claim, 3 Drawing Sheets



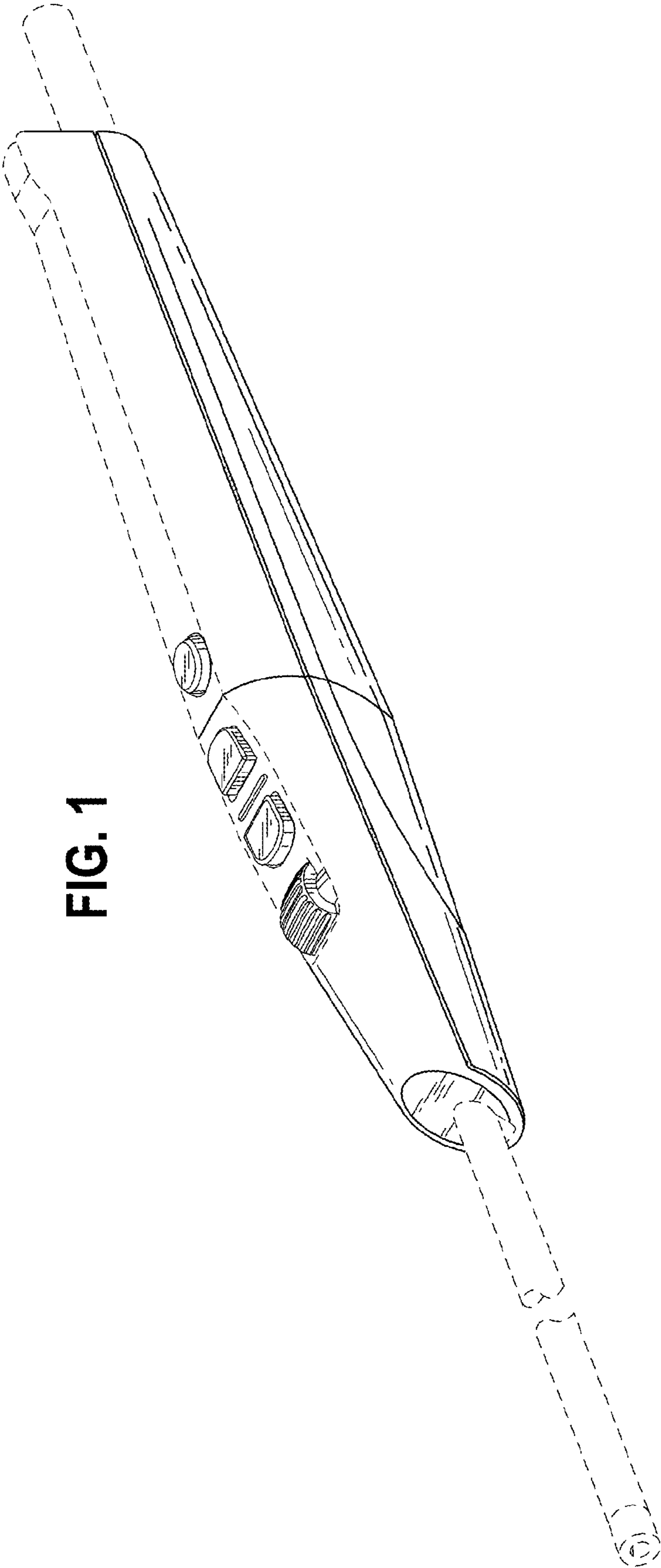


FIG. 1

FIG. 2

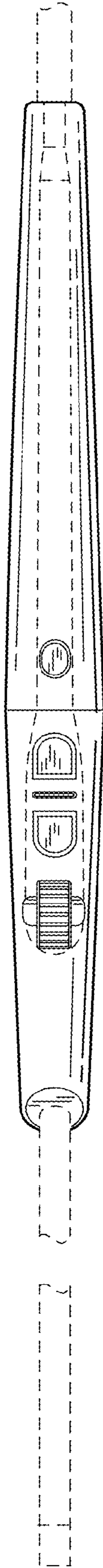


FIG. 3

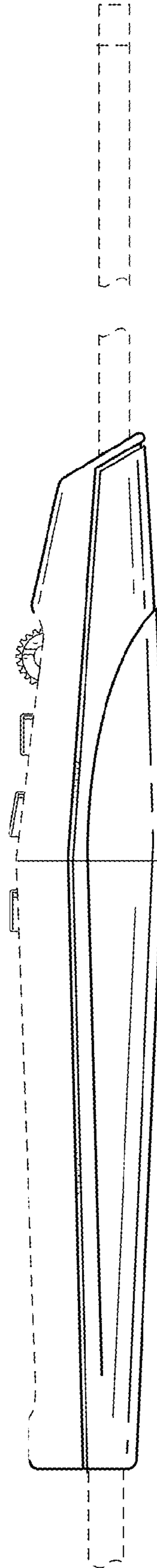


FIG. 5

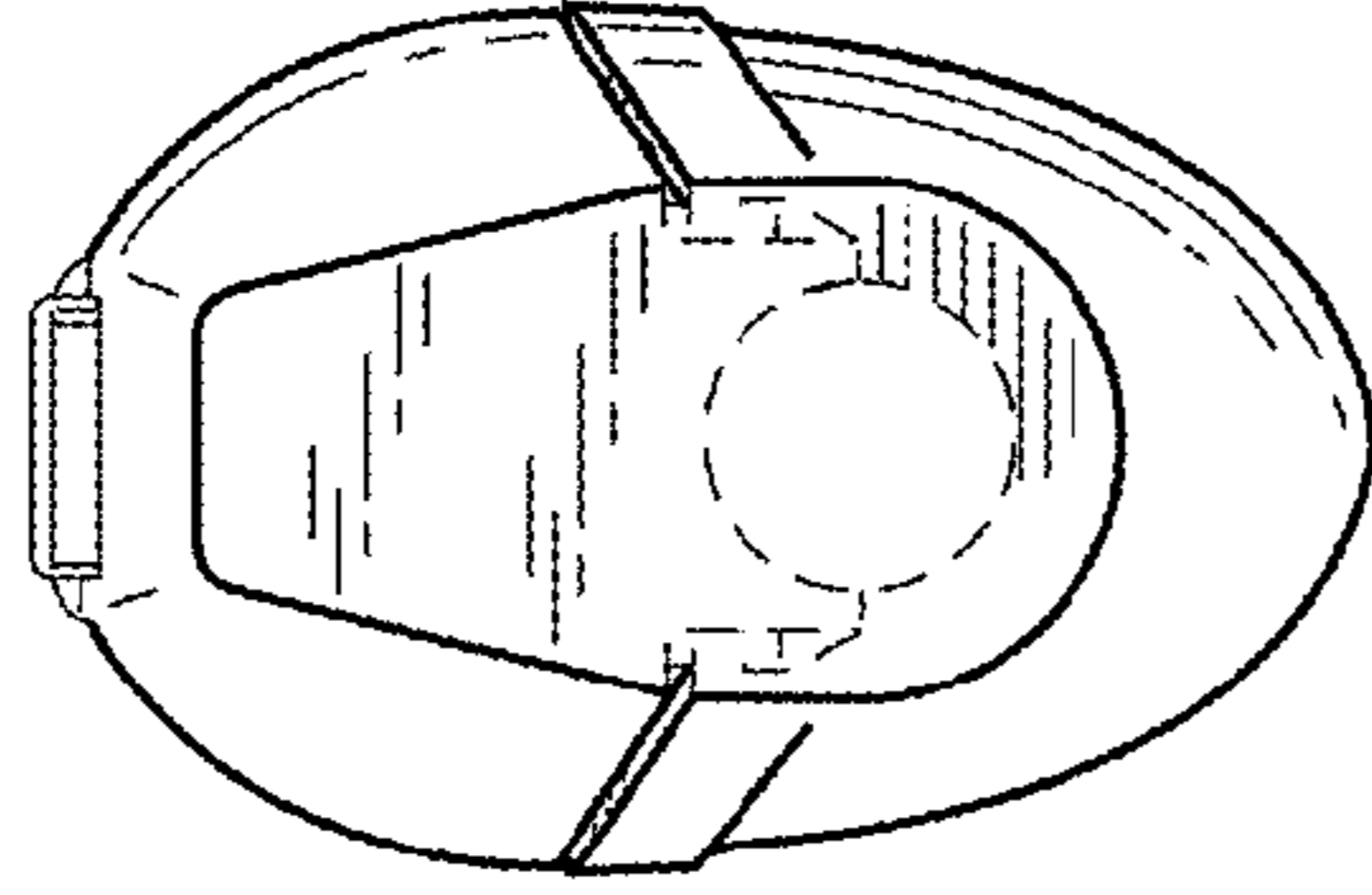


FIG. 4

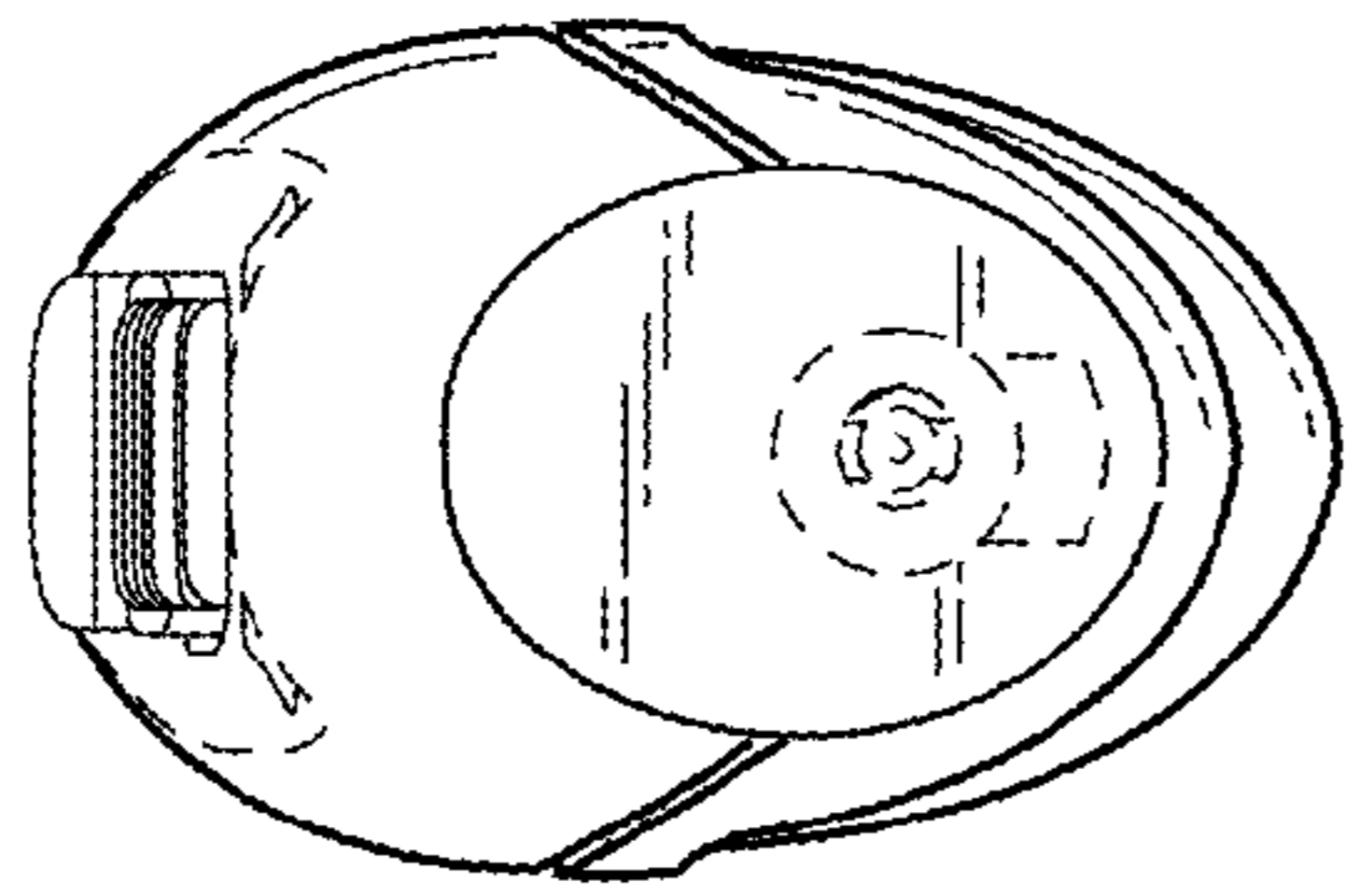


FIG. 6

