



US00D765840S

(12) **United States Design Patent** (10) **Patent No.:** **US D765,840 S**
Miller et al. (45) **Date of Patent:** **** Sep. 6, 2016**

(54) **LAPAROSCOPE AND ENDOSCOPE
CLEANING AND DEFOGGING DEVICE**

(71) Applicant: **Buffalo Filter LLC**, Lancaster, NY
(US)

(72) Inventors: **Michael J. Miller**, Depew, NY (US);
William Kellner, Amherst, NY (US);
Anthony L. Lizauckas, III,
Williamsville, NY (US); **Gregory Pepe**,
Lancaster, NY (US); **Samantha
Bonano**, Williamsville, NY (US)

(73) Assignee: **Buffalo Filter LLC**, Lancaster, NY
(US)

(**) Term: **14 Years**

(21) Appl. No.: **29/510,763**

(22) Filed: **Dec. 3, 2014**

(51) **LOC (10) Cl.** **24-02**

(52) **U.S. Cl.**
USPC **D24/137**

(58) **Field of Classification Search**
USPC D24/137; 600/102, 101, 133, 169;
126/263.04, 263.06, 263.08, 263.09,
126/400; 219/244; 356/244
CPC .. A61B 1/127; A61B 1/00057; A61B 1/045;
A61B 1/125; A61B 1/2676; A61B 1/313;
A61B 1/227; H04N 9/735
See application file for complete search history.

(56) **References Cited**

U.S. PATENT DOCUMENTS

5,549,543 A * 8/1996 Kim A61B 1/3132
219/429
7,311,660 B2 * 12/2007 Gomez A61B 1/127
126/263.04

8,148,667 B2 4/2012 Faries, Jr. et al.
8,152,717 B2 4/2012 Gomez
2005/0234301 A1* 10/2005 Gomez A61B 1/127
600/169
2008/0161646 A1* 7/2008 Gomez A61B 1/00057
600/169
2009/0112057 A1* 4/2009 Kammer A61B 1/127
600/102
2015/0313454 A1* 11/2015 Ide A61B 1/0008
600/129
2016/0135673 A1* 5/2016 Miller et al. A61B 1/123
134/57 R

* cited by examiner

Primary Examiner — Wan Laymon

Assistant Examiner — Mark Booker

(74) *Attorney, Agent, or Firm* — Phillips Lytle LLP

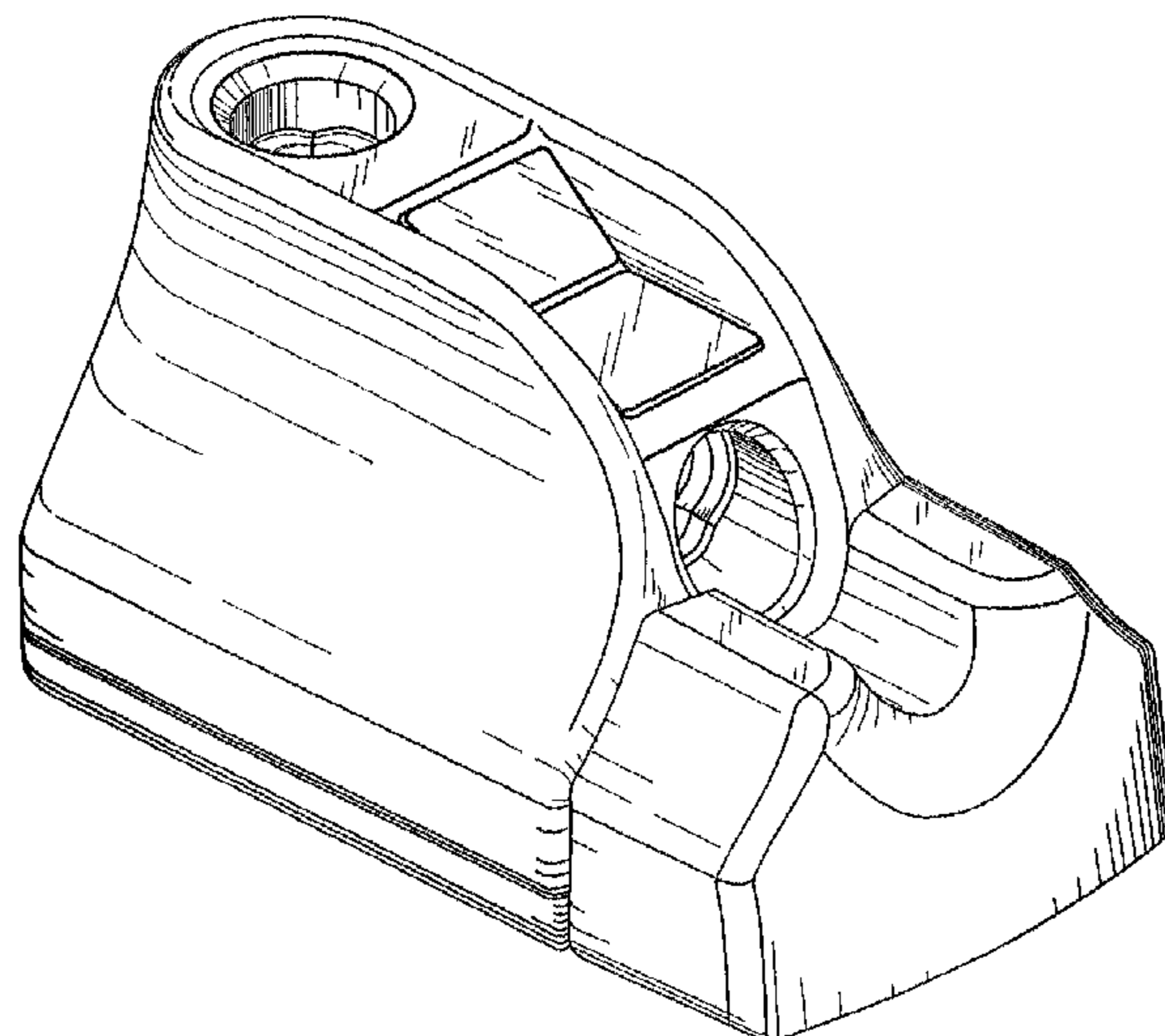
(57) **CLAIM**

The ornamental design for a laparoscope and endoscope cleaning and defogging device, as shown and described.

DESCRIPTION

FIG. 1 is a perspective view of the laparoscope and endoscope cleaning and defogging device showing our new design;
FIG. 2 is a front elevational view thereof;
FIG. 3 is a rear elevation view thereof;
FIG. 4 is a top plan view thereof;
FIG. 5 is a left side elevational view thereof;
FIG. 6 is a right side elevational view thereof; and,
FIG. 7 is a bottom plan view thereof.
The portions of the laparoscope and endoscope cleaning and defogging device shown in broken lines form no part of the claimed design.

1 Claim, 7 Drawing Sheets



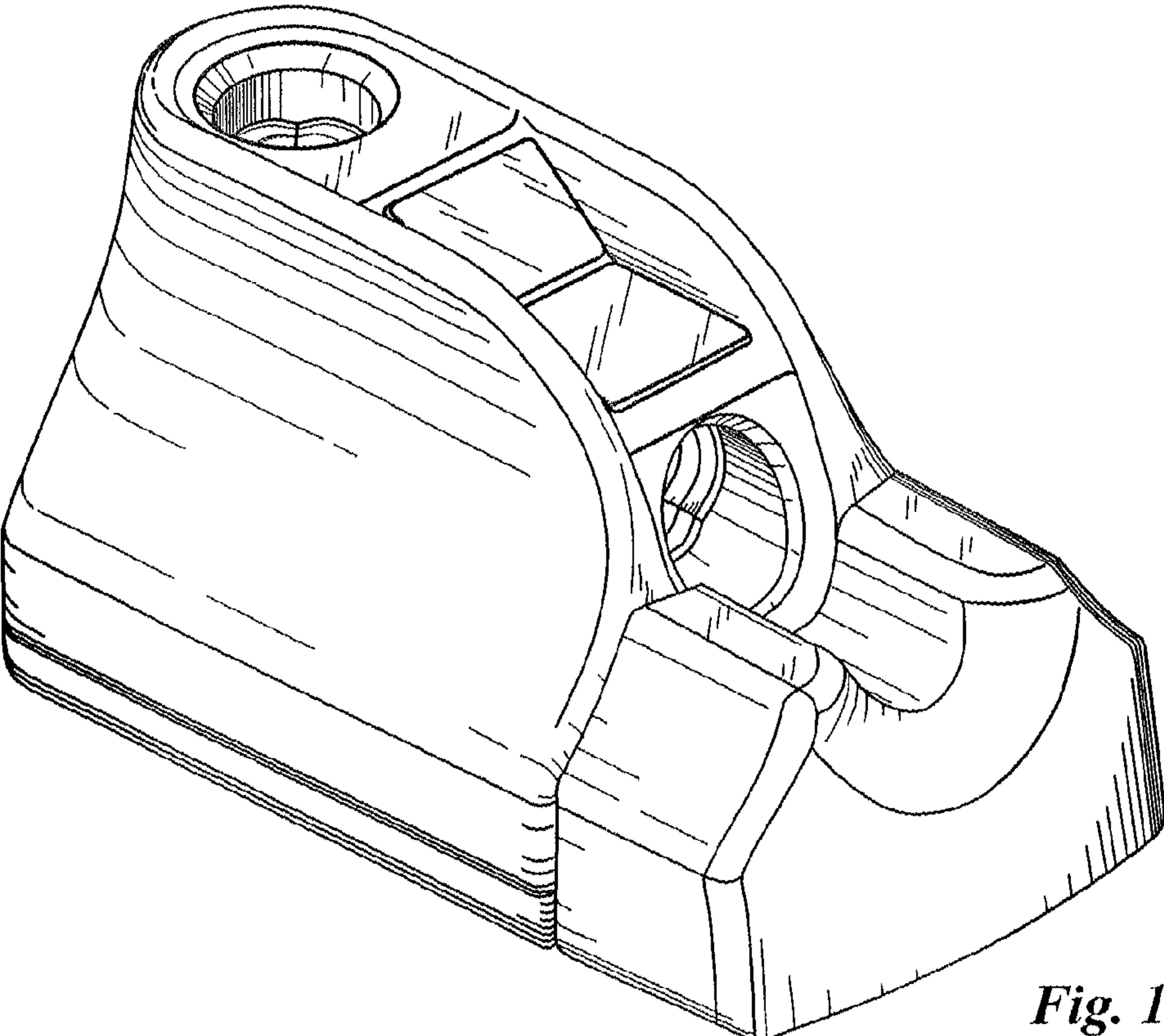


Fig. 1

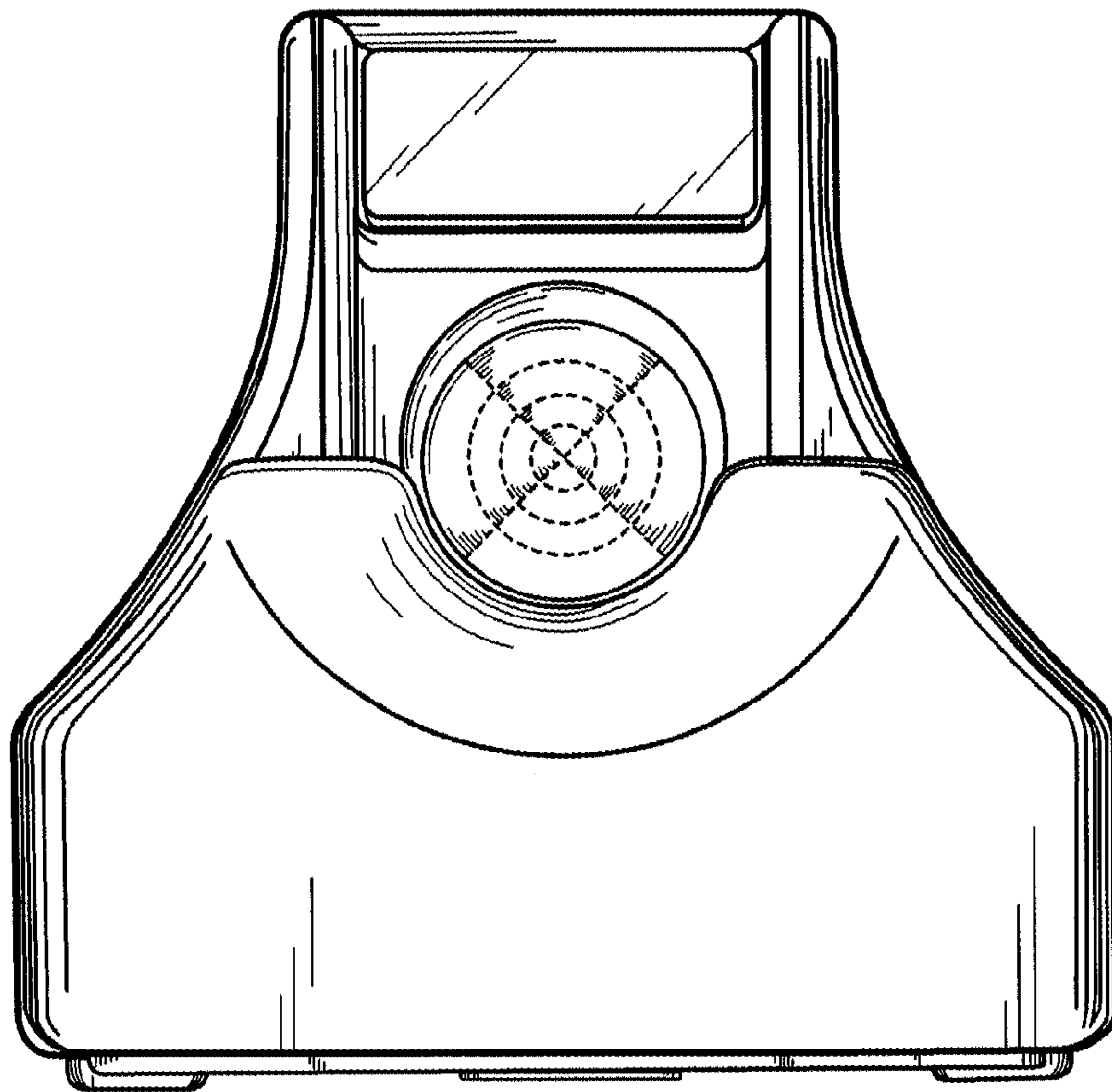


Fig. 2

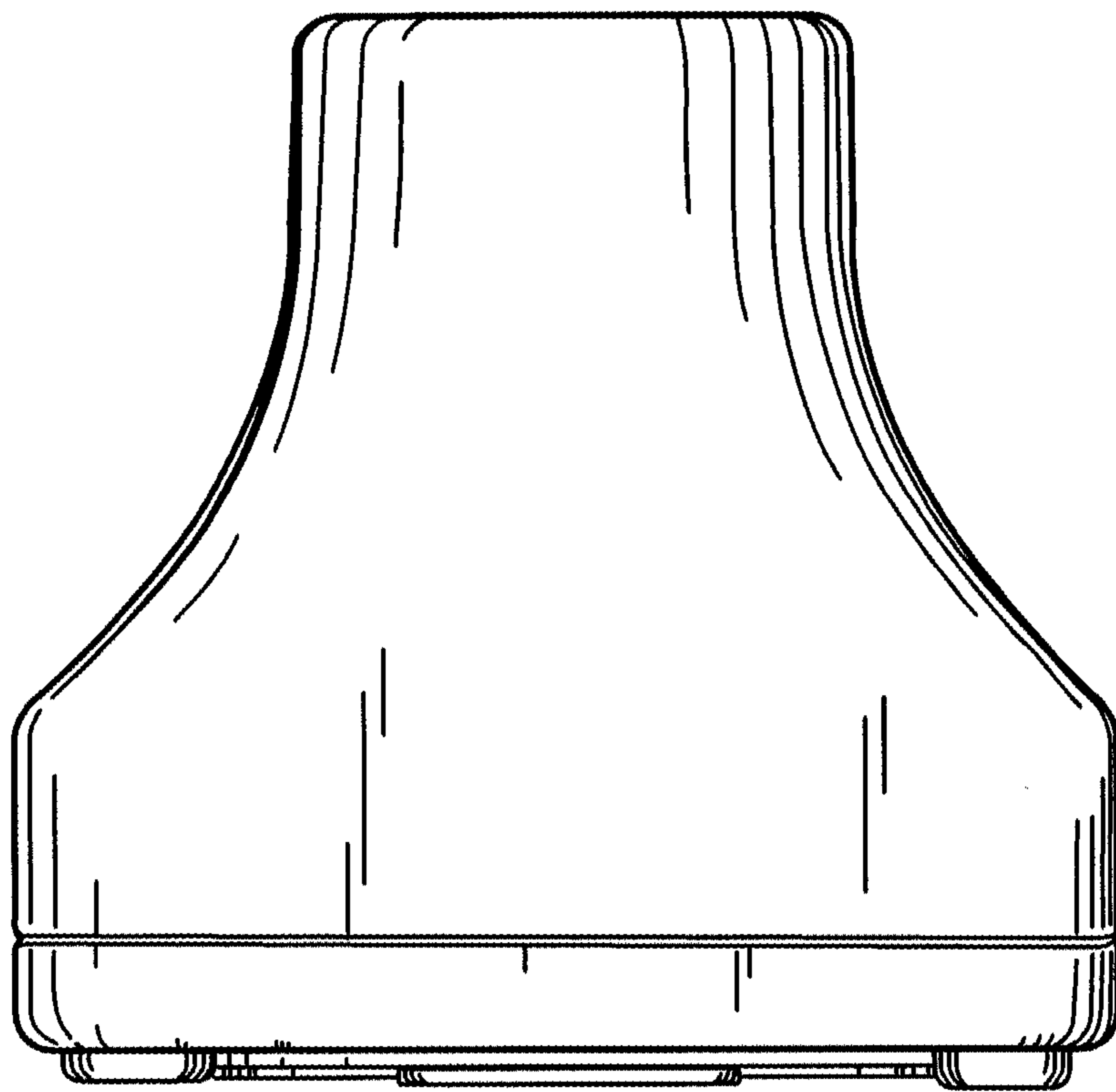


Fig. 3

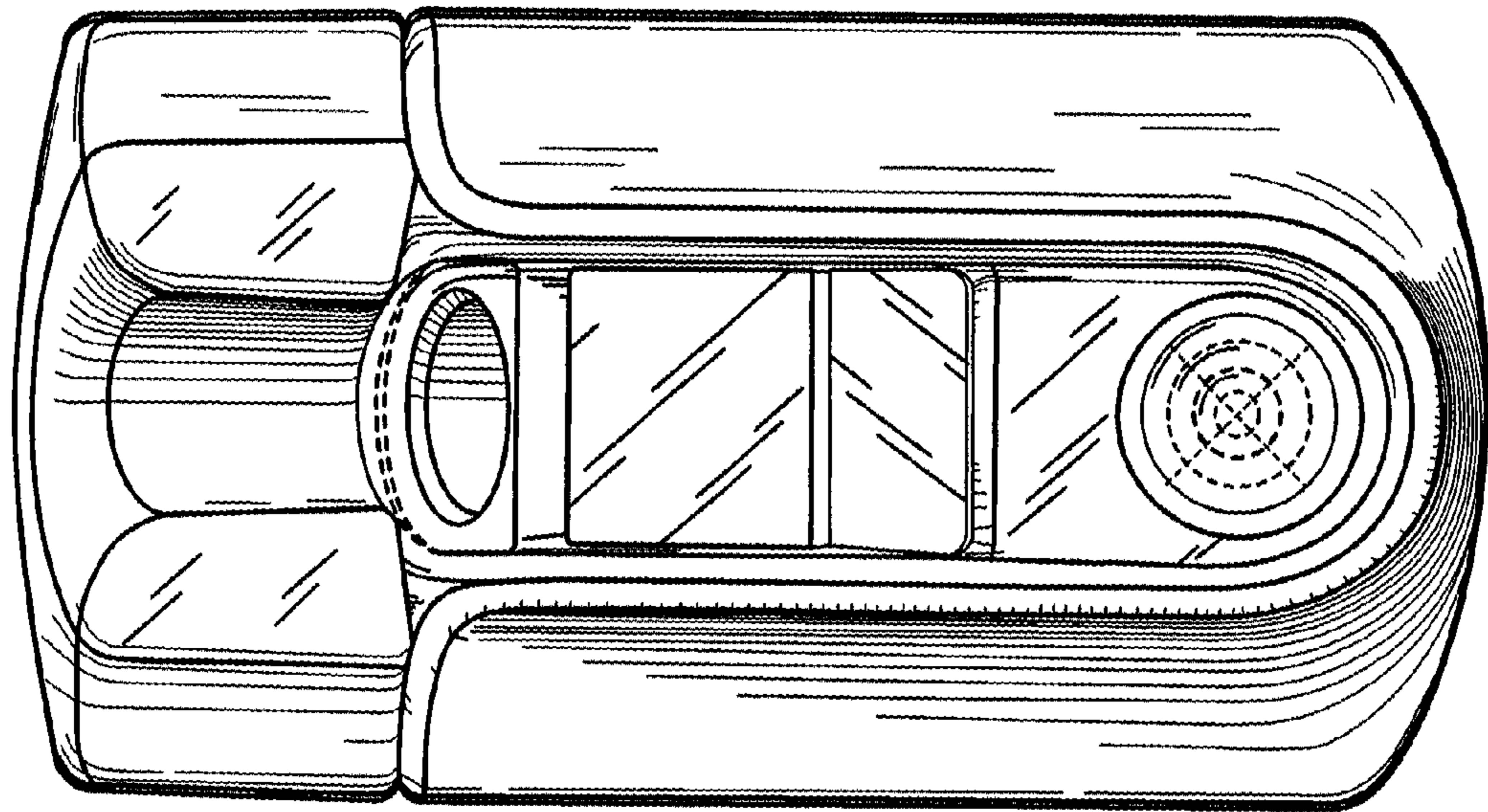


Fig. 4

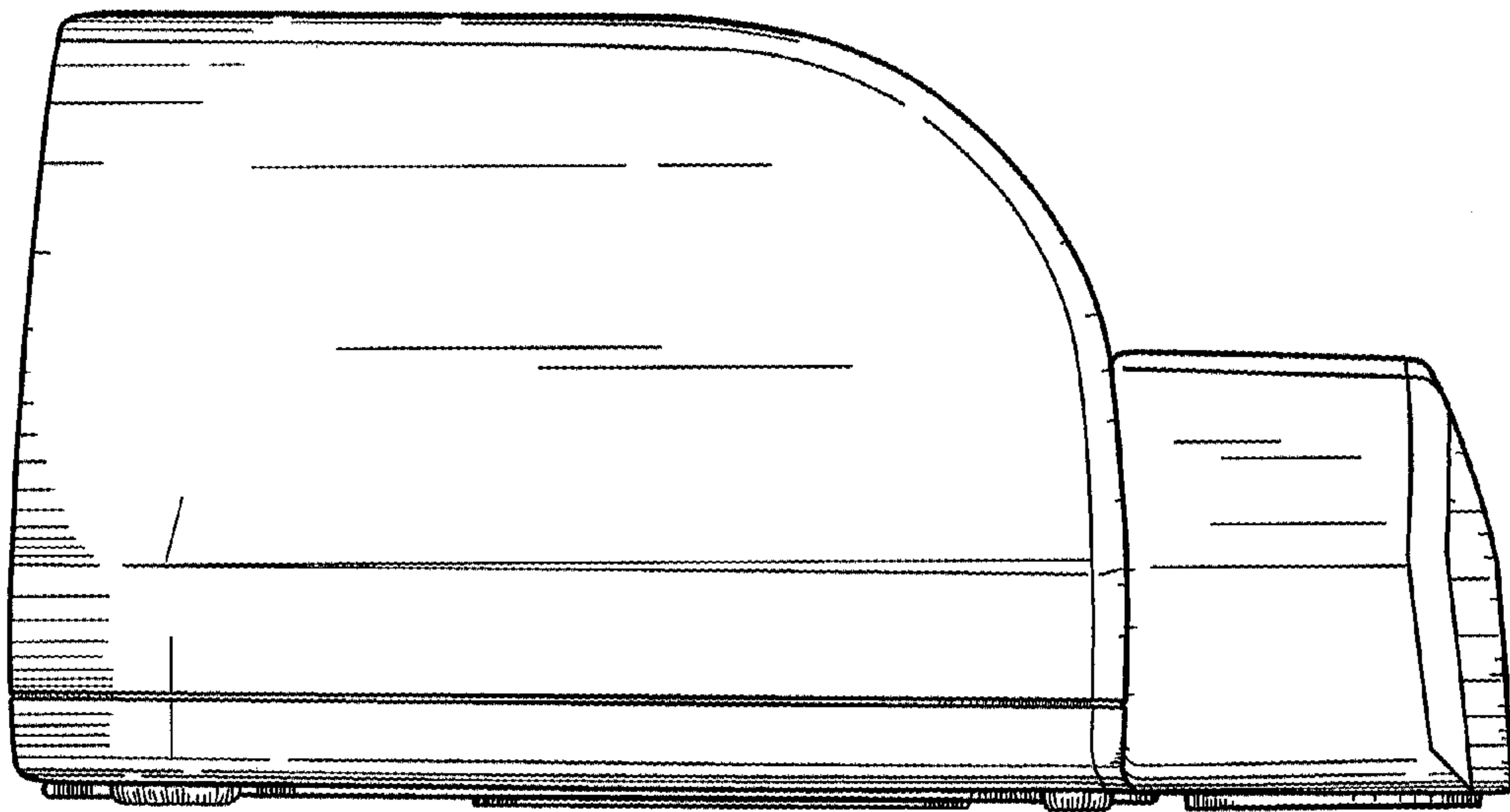


Fig. 5

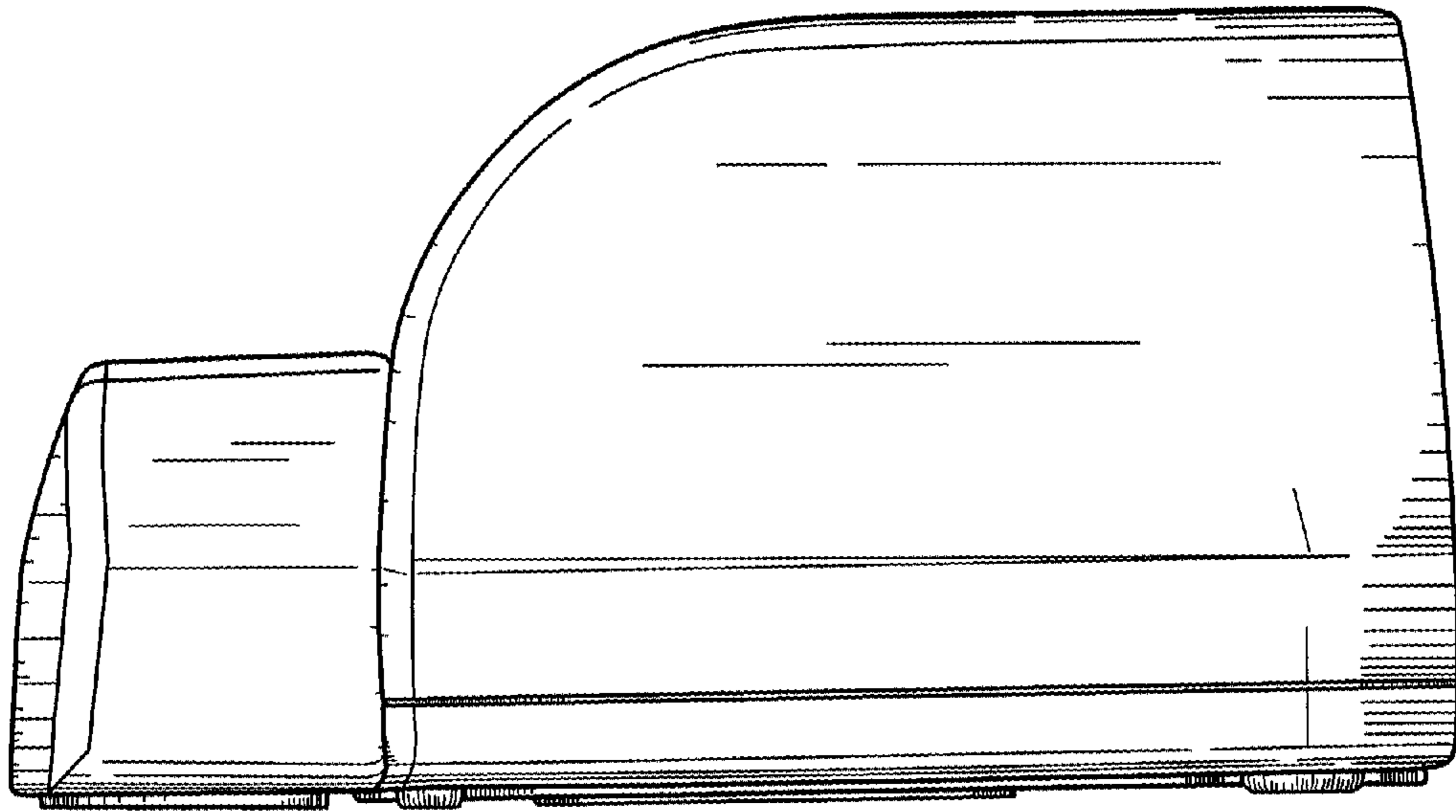


Fig. 6

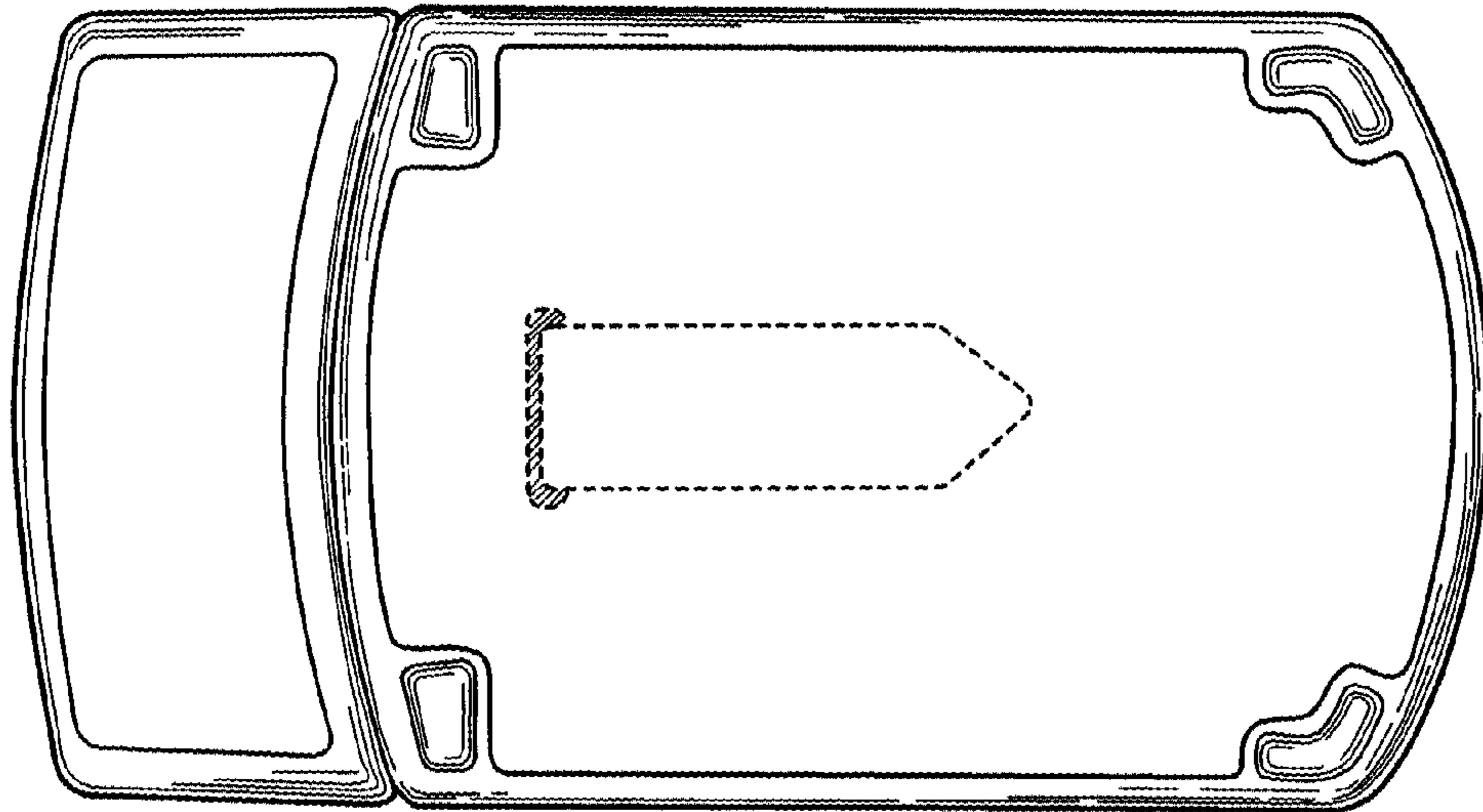


Fig. 7