



US00D765838S

(12) **United States Design Patent** (10) **Patent No.:** **US D765,838 S**
McGarry et al. (45) **Date of Patent:** **** Sep. 6, 2016**

(54) **SYRINGE RETENTION CLIP**
(71) Applicant: **Tech Group Europe Limited**, Exton, PA (US)

5,385,555 A 1/1995 Hausser
5,514,107 A 5/1996 Haber et al.
5,533,970 A 7/1996 Berger et al.
5,599,313 A 2/1997 Gyure et al.

(Continued)

(72) Inventors: **Martin McGarry**, Dublin (IE); **Mark Cleary**, Dublin (IE); **Patrick Dowling**, Dublin (IE)

FOREIGN PATENT DOCUMENTS

EP 268445 A2 5/1988
EP 0467173 A1 1/1992

(Continued)

(73) Assignee: **TECH GROUP EUROPE LIMITED**, Exton, PA (US)

Primary Examiner — David Muller

(**) Term: **14 Years**

(74) *Attorney, Agent, or Firm* — Panitch Schwarze Belisario & Nadel LLP

(21) Appl. No.: **29/521,919**

(57) **CLAIM**

(22) Filed: **Mar. 26, 2015**

The ornamental design for a syringe retention clip, as shown and described.

(51) **LOC (10) Cl.** **24-02**

DESCRIPTION

(52) **U.S. Cl.**

USPC **D24/130**

(58) **Field of Classification Search**

USPC D24/127–131, 112–114, 133, 186;
606/181, 185; 604/264, 523–528, 272,
604/187, 158, 164.01–164.11, 181, 184,
604/227; 600/101, 139, 143; 128/200.24,
128/207.14, 207.15

CPC A61M 5/178; A61M 3/00; A61M 5/20;
A61M 5/31; A61M 5/3146; A61M 5/3129;
A61M 5/3148; A61M 5/315

See application file for complete search history.

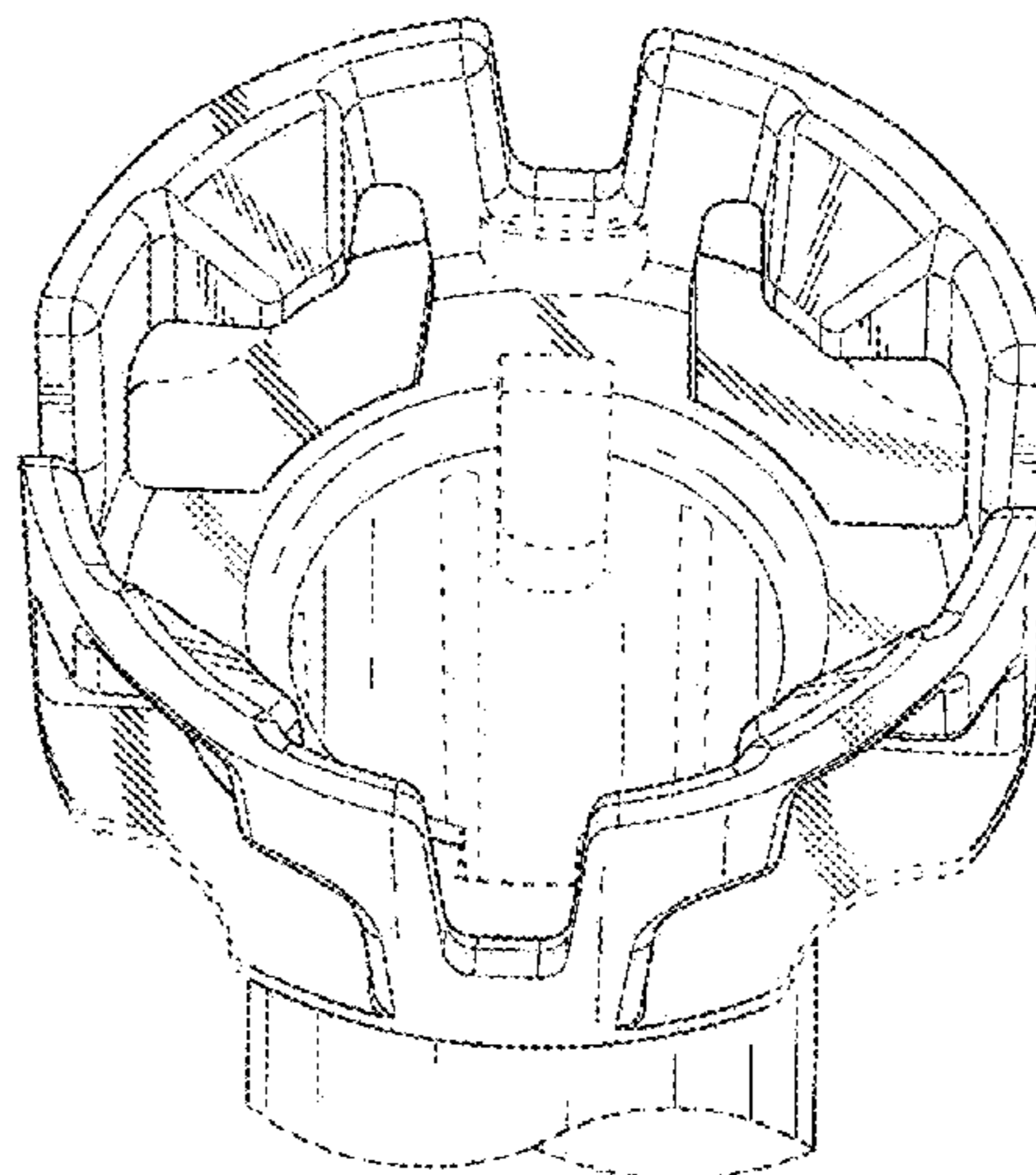
(56) **References Cited**

U.S. PATENT DOCUMENTS

D293,130 S * 12/1987 Ashie D24/128
4,966,592 A 10/1990 Burns et al.
5,188,597 A 2/1993 Sweeney et al.
5,242,416 A 9/1993 Hutson
5,250,037 A 10/1993 Bitdinger
5,273,543 A 12/1993 Bell et al.
5,304,149 A 4/1994 Morigi
5,338,310 A 8/1994 Lewandowski

FIG. 1 is a front perspective view of a syringe retention clip, in accordance with our new design, assembled with an injection device (shown in phantom);
FIG. 2 is a greatly enlarged front perspective view of the syringe retention clip shown in FIG. 1, assembled with a portion of the injection device (shown in phantom);
FIG. 3 is a greatly enlarged rear perspective view thereof;
FIG. 4 is a greatly enlarged front elevational view thereof;
FIG. 5 is a greatly enlarged front perspective view of the syringe retention clip, shown in FIG. 1, assembled without the injection device shown in FIG. 1;
FIG. 6 is a greatly enlarged rear perspective view thereof;
FIG. 7 is a greatly enlarged top plan view thereof;
FIG. 8 is a greatly enlarged bottom plan view thereof;
FIG. 9 is a greatly enlarged front elevational view thereof;
FIG. 10 is a greatly enlarged rear elevational view thereof; and,
FIG. 11 is a greatly enlarged right side elevational view thereof, the left side elevational view being identical.
The features shown in broken lines depict environmental structure only and form no part of the claimed design.

1 Claim, 6 Drawing Sheets



(56)

References Cited

U.S. PATENT DOCUMENTS

5,599,318 A 2/1997 Sweeney et al.
 5,607,399 A 3/1997 Grimard et al.
 5,647,849 A 7/1997 Kalin
 5,697,908 A 12/1997 Imbert et al.
 5,735,823 A 4/1998 Berger
 5,746,727 A 5/1998 Graves et al.
 5,755,696 A 5/1998 Caizza
 5,776,113 A 7/1998 Daugherty et al.
 5,893,842 A 4/1999 Imbert
 5,913,846 A 6/1999 Szabo
 5,919,165 A 7/1999 Benson
 5,919,182 A 7/1999 Avallone
 5,947,933 A 9/1999 Reichenbach et al.
 6,010,486 A 1/2000 Carter et al.
 6,030,366 A 2/2000 Mitchell
 6,086,563 A 7/2000 Moulton et al.
 6,159,184 A 12/2000 Perez et al.
 6,171,283 B1 1/2001 Perez et al.
 6,344,032 B1 2/2002 Perez et al.
 6,413,237 B1 7/2002 Caizza et al.
 6,461,333 B1 10/2002 Frezza
 6,468,246 B1 10/2002 Lo
 6,554,796 B2 4/2003 Lo
 6,558,357 B1 5/2003 Hoeck
 6,585,690 B1 7/2003 Hoeck et al.
 6,599,268 B1 7/2003 Townsend et al.
 6,599,269 B1 7/2003 Lewandowski et al.
 6,616,639 B2 9/2003 Gagnieux et al.
 6,623,459 B1 9/2003 Doyle
 6,629,963 B2 10/2003 Prais et al.
 6,776,777 B2 8/2004 Barrelle
 6,872,190 B1 3/2005 Denis et al.
 6,872,194 B2 3/2005 Doyle et al.
 6,905,478 B2 6/2005 Ingram et al.
 6,966,898 B1 11/2005 Pouget et al.
 6,976,976 B2 12/2005 Doyle
 7,041,085 B2 5/2006 Perez et al.
 7,101,355 B2 9/2006 Doyle
 7,104,969 B2 9/2006 Du Plessis
 7,115,114 B2 10/2006 Caizza
 7,182,734 B2 2/2007 Saulenas et al.
 7,207,973 B2 4/2007 Barrelle
 7,255,689 B2 8/2007 Westbye
 7,267,664 B2 9/2007 Rizzo
 7,294,119 B2 11/2007 Westbye et al.
 7,331,934 B2 2/2008 Suresh et al.
 7,344,517 B2 3/2008 Schiller
 D581,527 S * 11/2008 Jansen D24/130
 7,468,054 B2 12/2008 Crawford et al.
 7,497,847 B2 3/2009 Crawford et al.
 7,500,963 B2 3/2009 Westbye et al.
 7,544,180 B2 6/2009 Woehr
 7,582,073 B2 9/2009 Barrelle et al.
 7,618,401 B2 11/2009 Vedrine
 7,682,344 B2 3/2010 Barrelle
 D616,092 S * 5/2010 Domkowski D24/129
 D616,094 S * 5/2010 Boone, III D24/133
 7,803,132 B2 9/2010 Janek et al.
 7,828,774 B2 11/2010 Harding et al.
 7,850,661 B2 12/2010 Chevallier et al.
 7,887,518 B2 2/2011 Caizza
 D637,713 S * 5/2011 Nord D24/129
 7,955,308 B2 6/2011 Westbye
 7,988,663 B2 8/2011 Schiller et al.
 D655,017 S * 2/2012 Mosler D24/129
 8,308,696 B2 11/2012 Chevalier
 8,337,467 B2 12/2012 Rimlinger et al.
 D674,088 S * 1/2013 Lev D24/129
 8,372,044 B2 2/2013 Westbye et al.
 D681,230 S * 4/2013 Mosler D24/129
 D695,397 S * 12/2013 Nakatsuka D24/127

8,603,043 B2 12/2013 Chevalier
 8,628,499 B2 1/2014 Peruzzo
 8,715,246 B2 5/2014 Giambattista et al.
 D714,437 S * 9/2014 Steele D24/129
 D743,044 S * 11/2015 Jackson D24/129
 D747,472 S * 1/2016 Bradley D24/129
 D750,239 S * 2/2016 Pappalardo D24/130
 2001/0021820 A1 9/2001 Lynn
 2003/0023205 A1 1/2003 Botich et al.
 2003/0187401 A1 10/2003 Doyle
 2004/0122378 A1 6/2004 Hsu
 2004/0167476 A1 8/2004 Westbye
 2005/0020985 A1 1/2005 Doyle
 2005/0096597 A1 5/2005 Crawford et al.
 2005/0159709 A1 7/2005 Wilkinson
 2006/0036216 A1 2/2006 Rimlinger et al.
 2006/0167408 A1 7/2006 Amatuni
 2006/0184133 A1 8/2006 Pessin
 2006/0189933 A1 8/2006 Alheidt et al.
 2006/0264825 A1 11/2006 Westbye et al.
 2006/0276756 A1 12/2006 Francavilla
 2007/0179441 A1 8/2007 Chevallier
 2007/0270759 A1 11/2007 Pessin
 2008/0021409 A1 1/2008 Pessin
 2008/0300549 A1 12/2008 Verespej et al.
 2009/0157010 A1 6/2009 Martin
 2009/0318888 A1 12/2009 Alchas et al.
 2010/0331778 A1 12/2010 Wayman et al.
 2011/0054411 A1 3/2011 Dowds et al.
 2011/0172640 A1 7/2011 Cronenberg et al.
 2011/0230832 A1 9/2011 Neale et al.
 2014/0114257 A1 4/2014 Peruzzo

FOREIGN PATENT DOCUMENTS

EP 0864335 A2 9/1998
 EP 1019123 A1 7/2000
 EP 1436026 A1 7/2004
 EP 1464352 A2 10/2004
 EP 1474194 A1 11/2004
 EP 1485153 A2 12/2004
 EP 1487522 A1 12/2004
 EP 1496964 A1 1/2005
 EP 1530979 A1 5/2005
 EP 1532997 A1 5/2005
 EP 1558310 A1 8/2005
 EP 1596906 A1 11/2005
 EP 1605997 A1 12/2005
 EP 1660158 A1 5/2006
 EP 1758630 A1 3/2007
 EP 1781359 A1 5/2007
 EP 1786497 A1 5/2007
 EP 1946789 A1 7/2008
 EP 2308532 A1 4/2011
 FR 360751 A 5/1906
 WO 99 17823 A1 4/1999
 WO 03000323 A1 1/2003
 WO 03068298 A1 8/2003
 WO 03077977 A2 9/2003
 WO 03082386 A1 10/2003
 WO 2004043524 A1 5/2004
 WO 2004058338 A1 7/2004
 WO 2004075956 A1 9/2004
 WO 2005009519 A1 2/2005
 WO 2005009520 A1 2/2005
 WO 2005030301 A1 4/2005
 WO 2005039678 A2 5/2005
 WO 2005046772 A1 5/2005
 WO 2005061032 A1 7/2005
 WO 2006008366 A1 1/2006
 WO 2006027445 A1 3/2006
 WO 2006027447 A1 3/2006

* cited by examiner

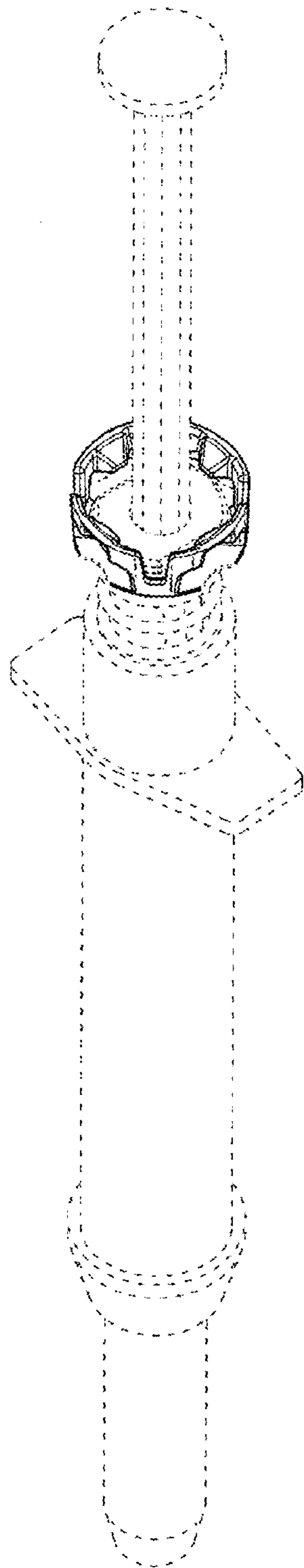
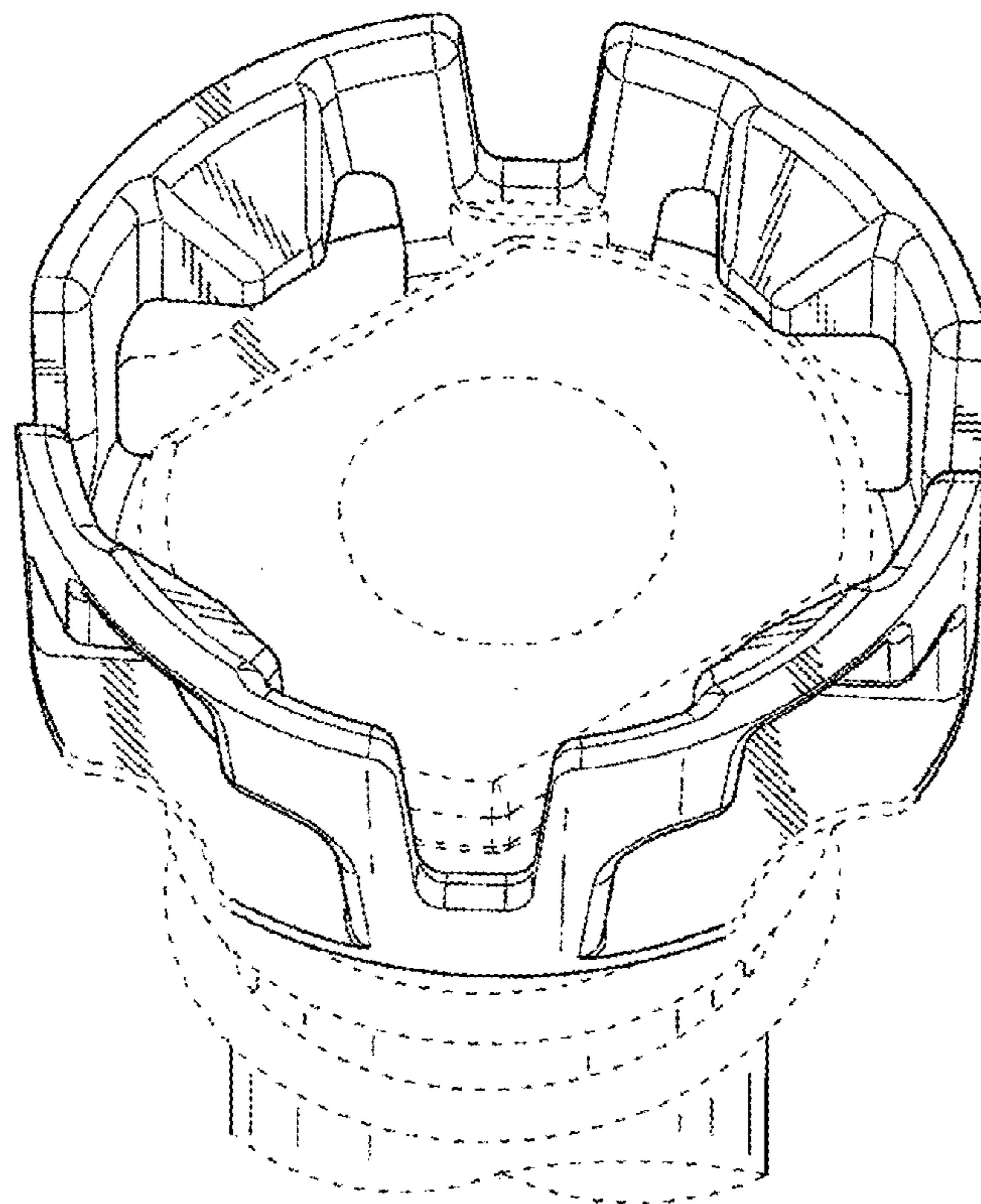


FIG. 1

FIG. 2



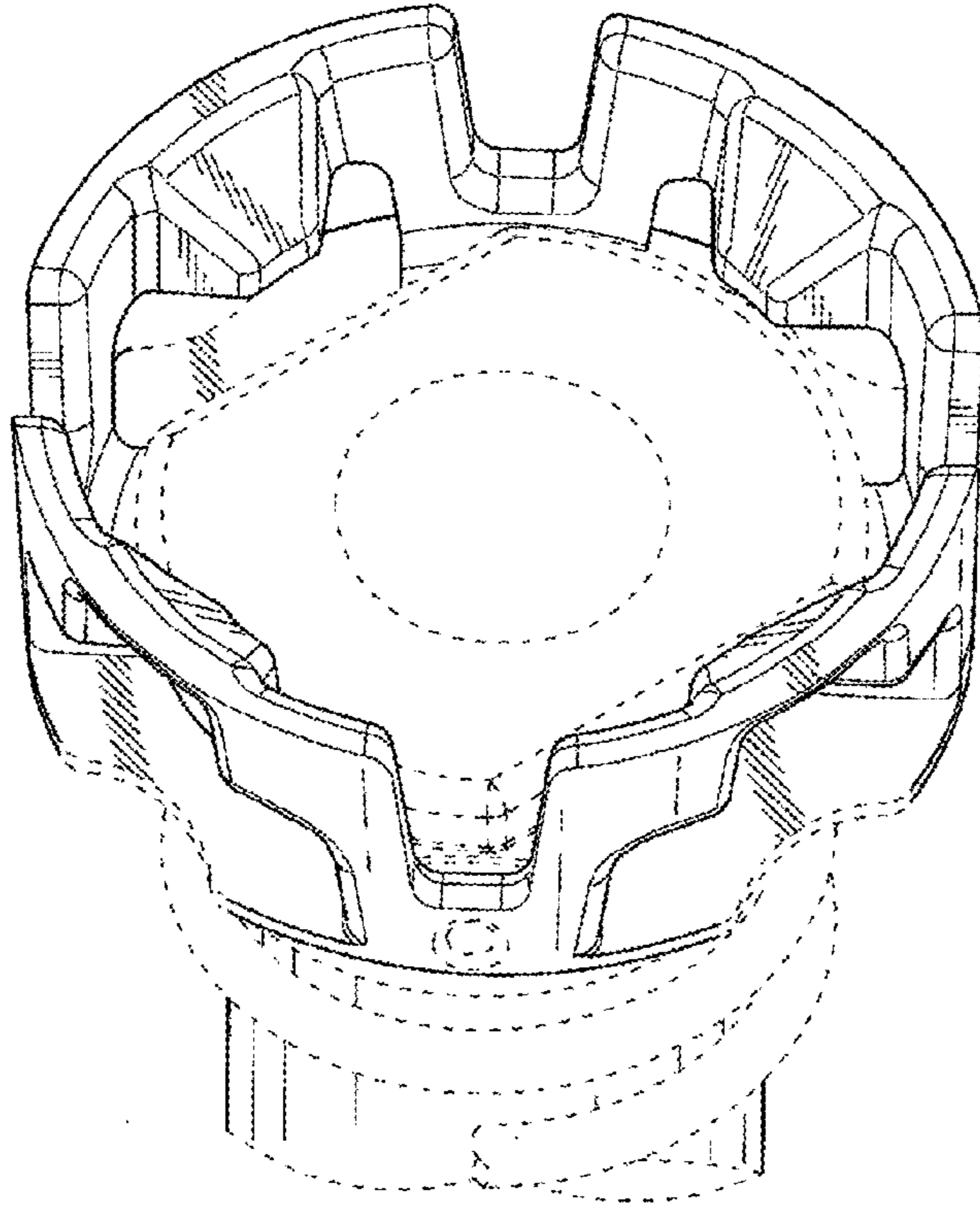


FIG. 3

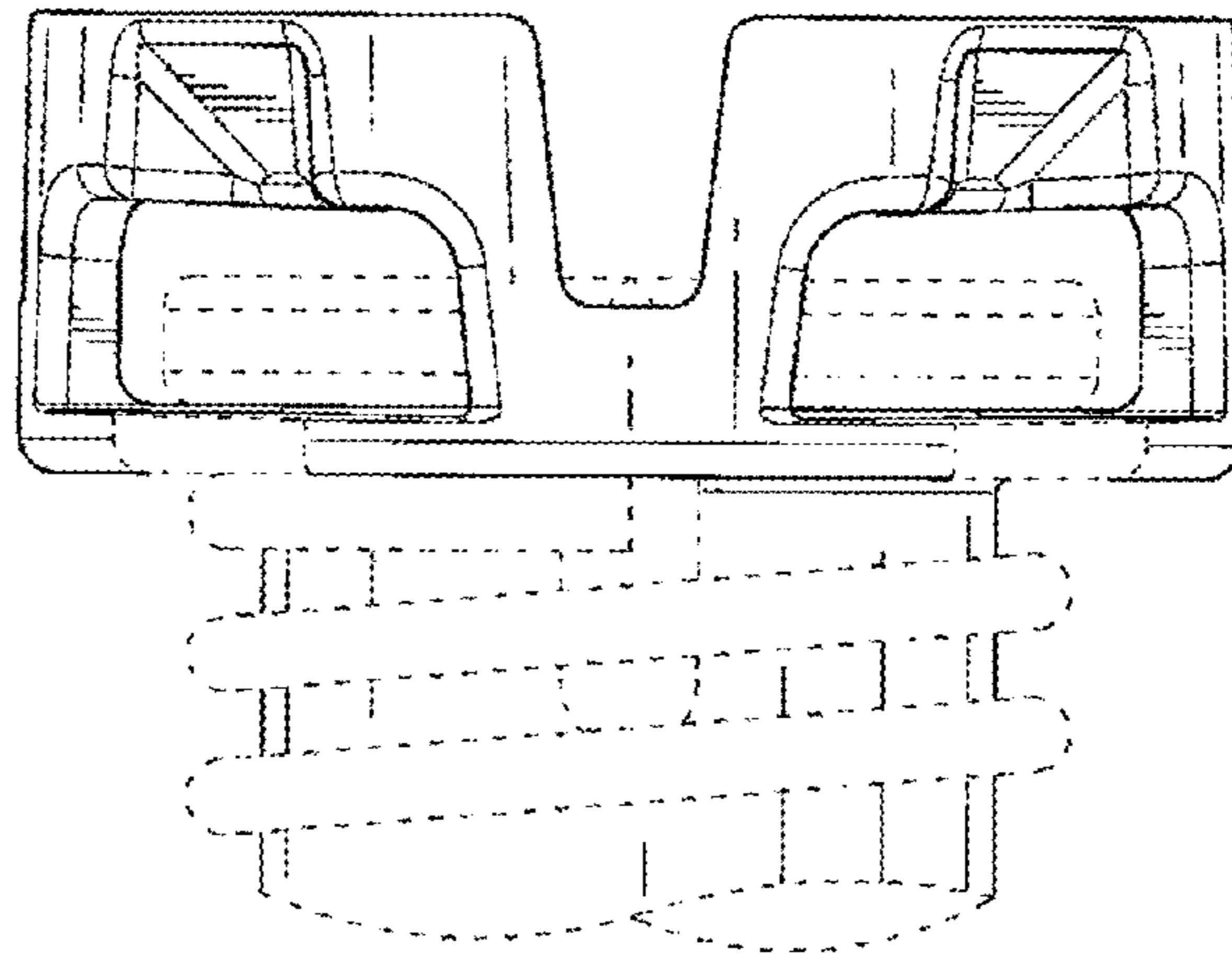


FIG. 4

FIG. 5

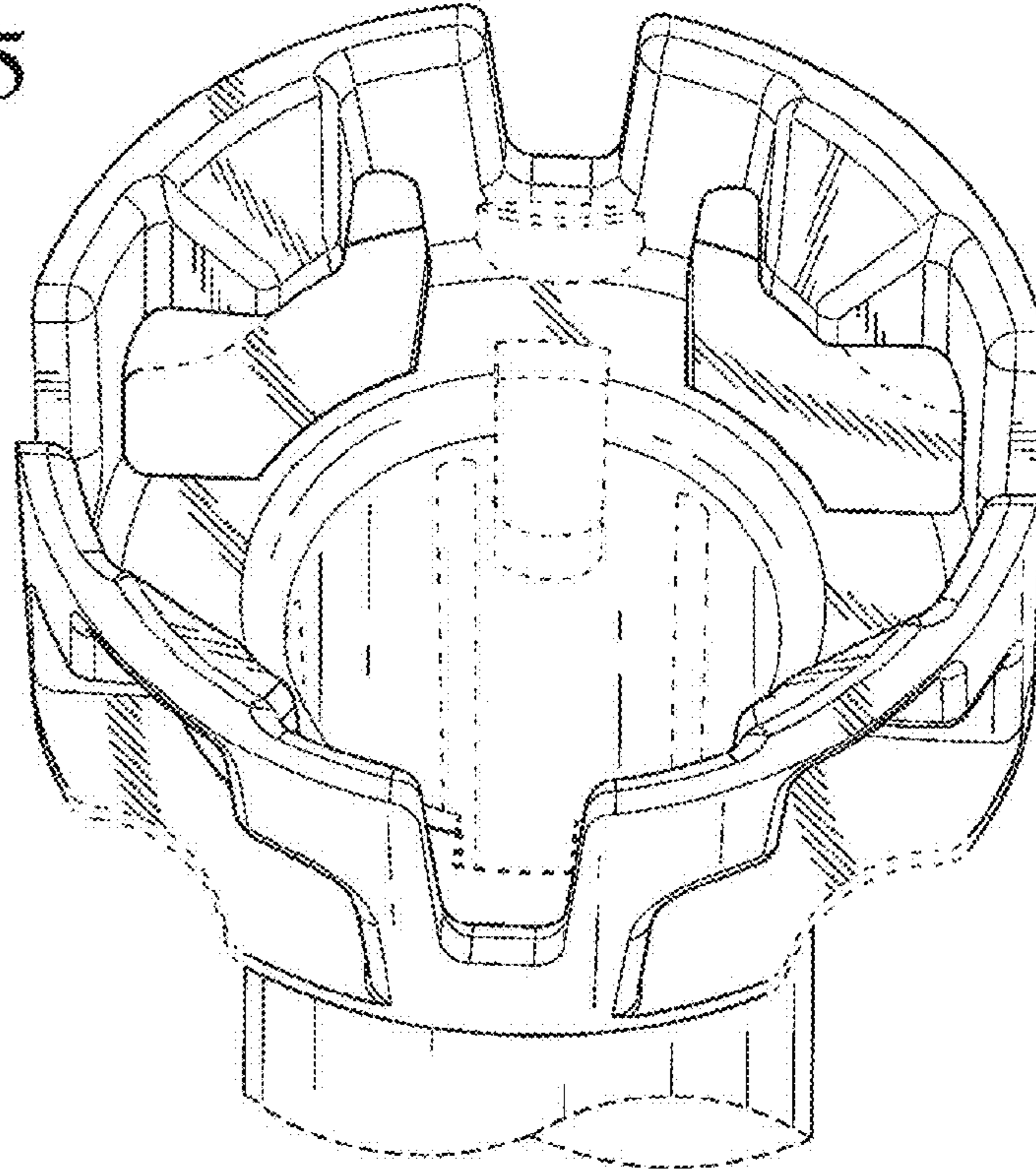
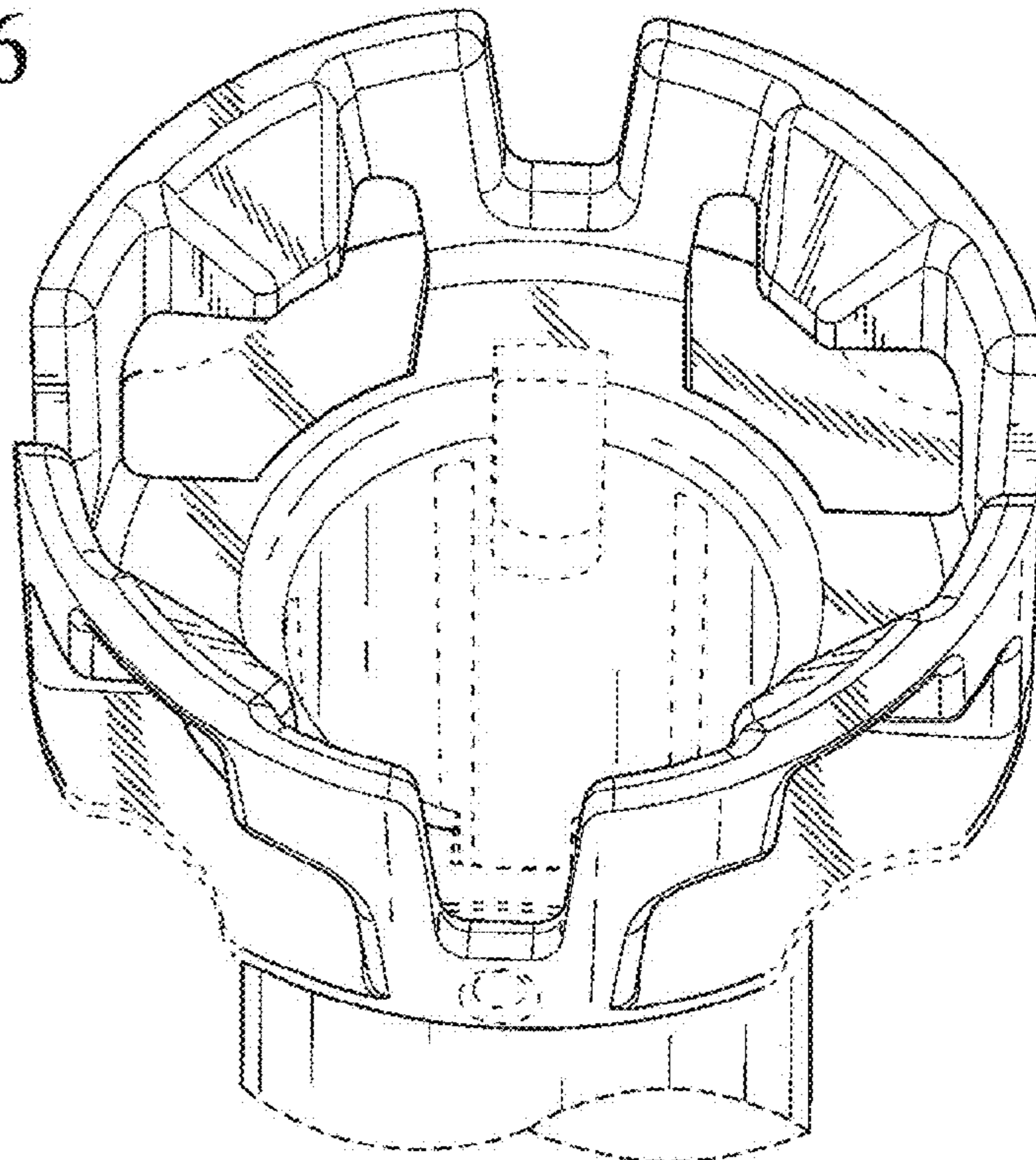


FIG. 6



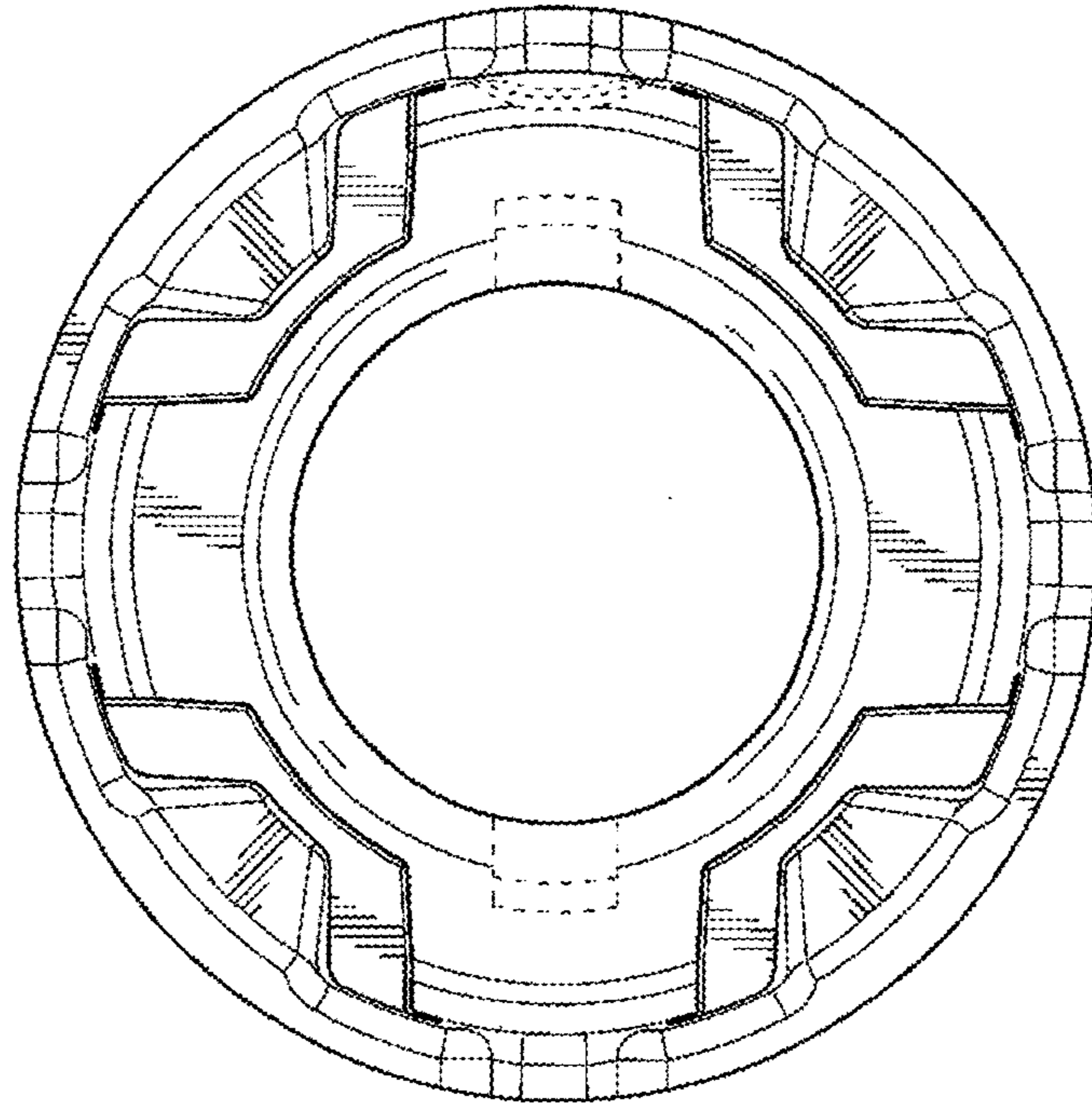


FIG. 7

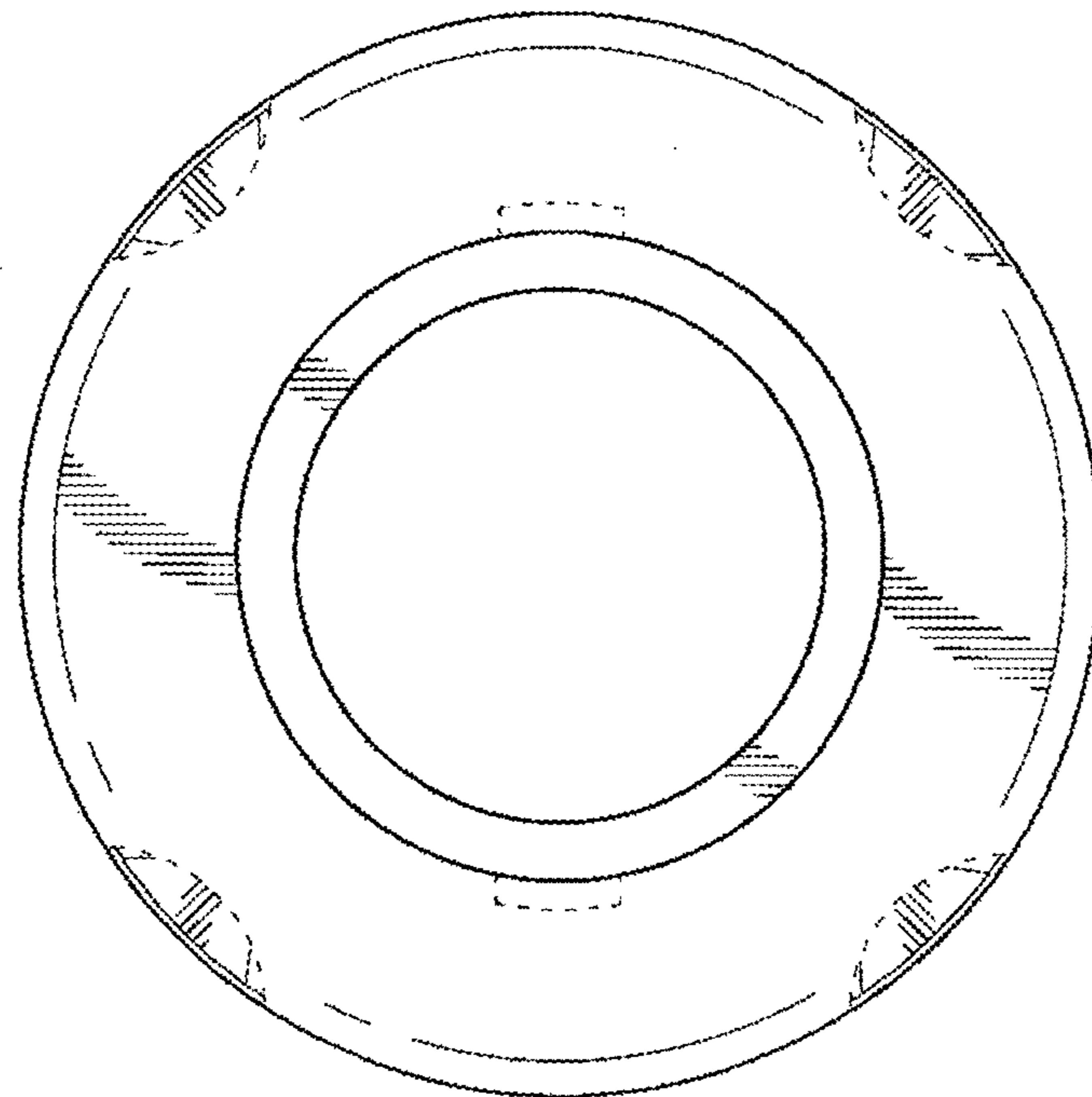


FIG. 8

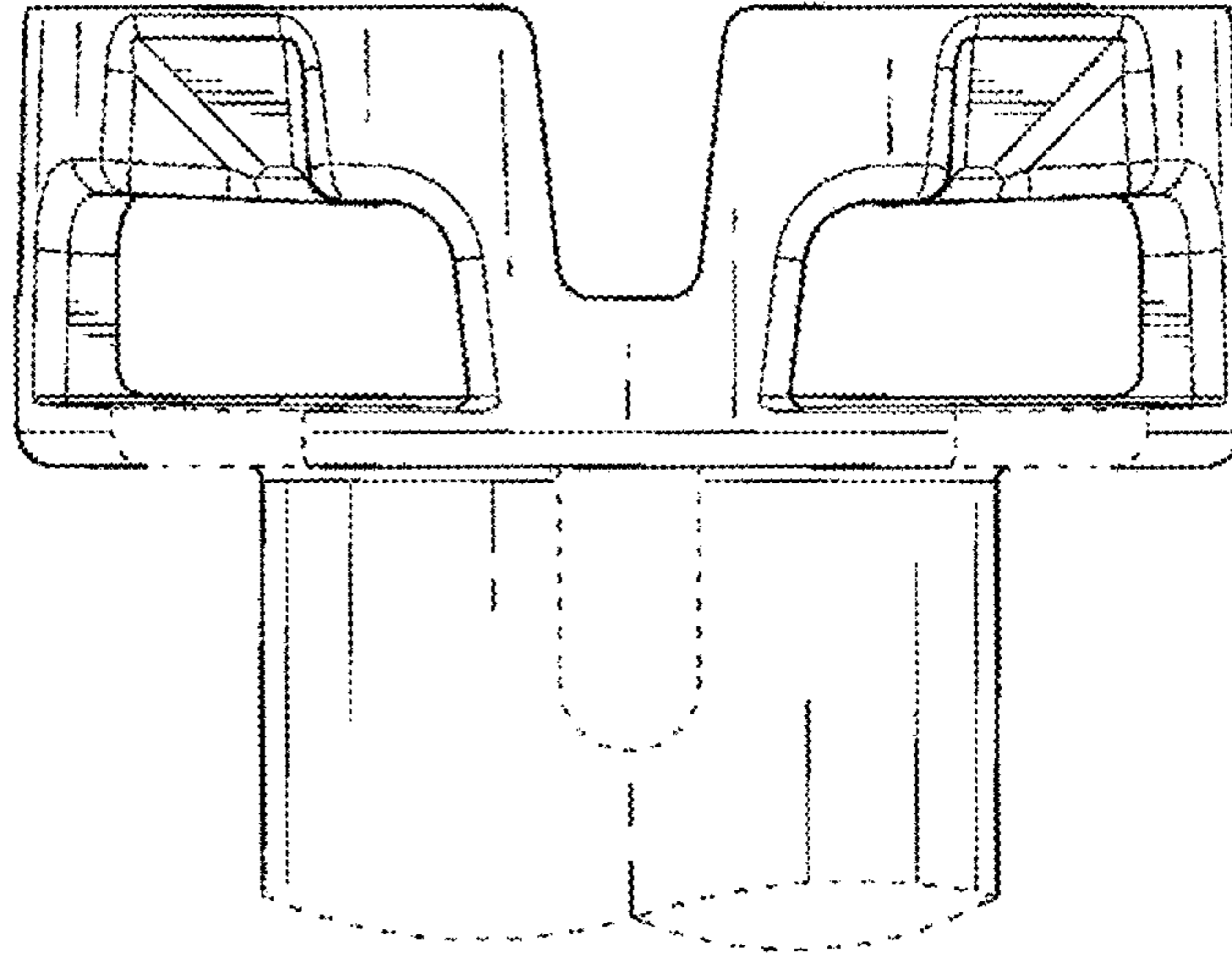


FIG. 9

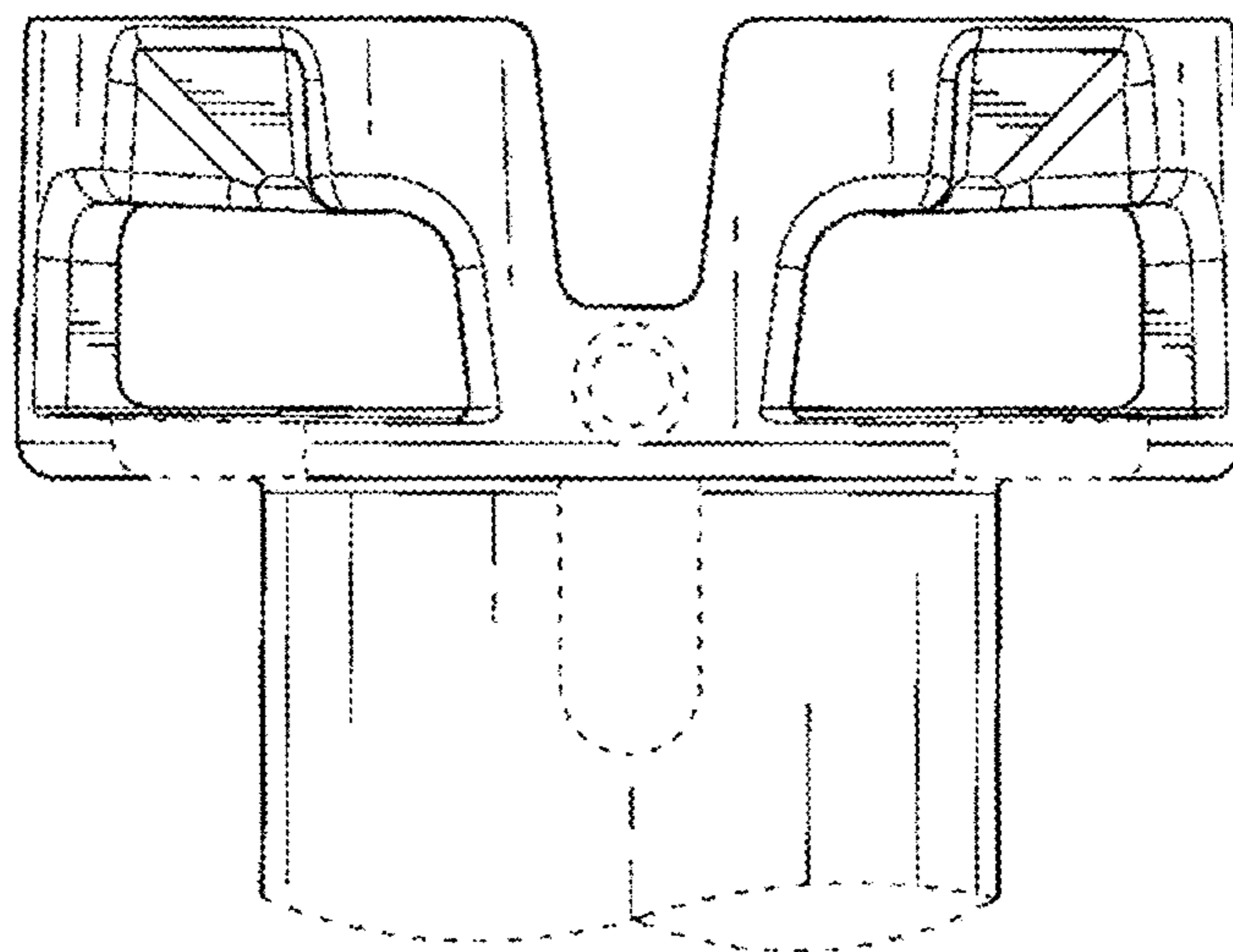


FIG. 10

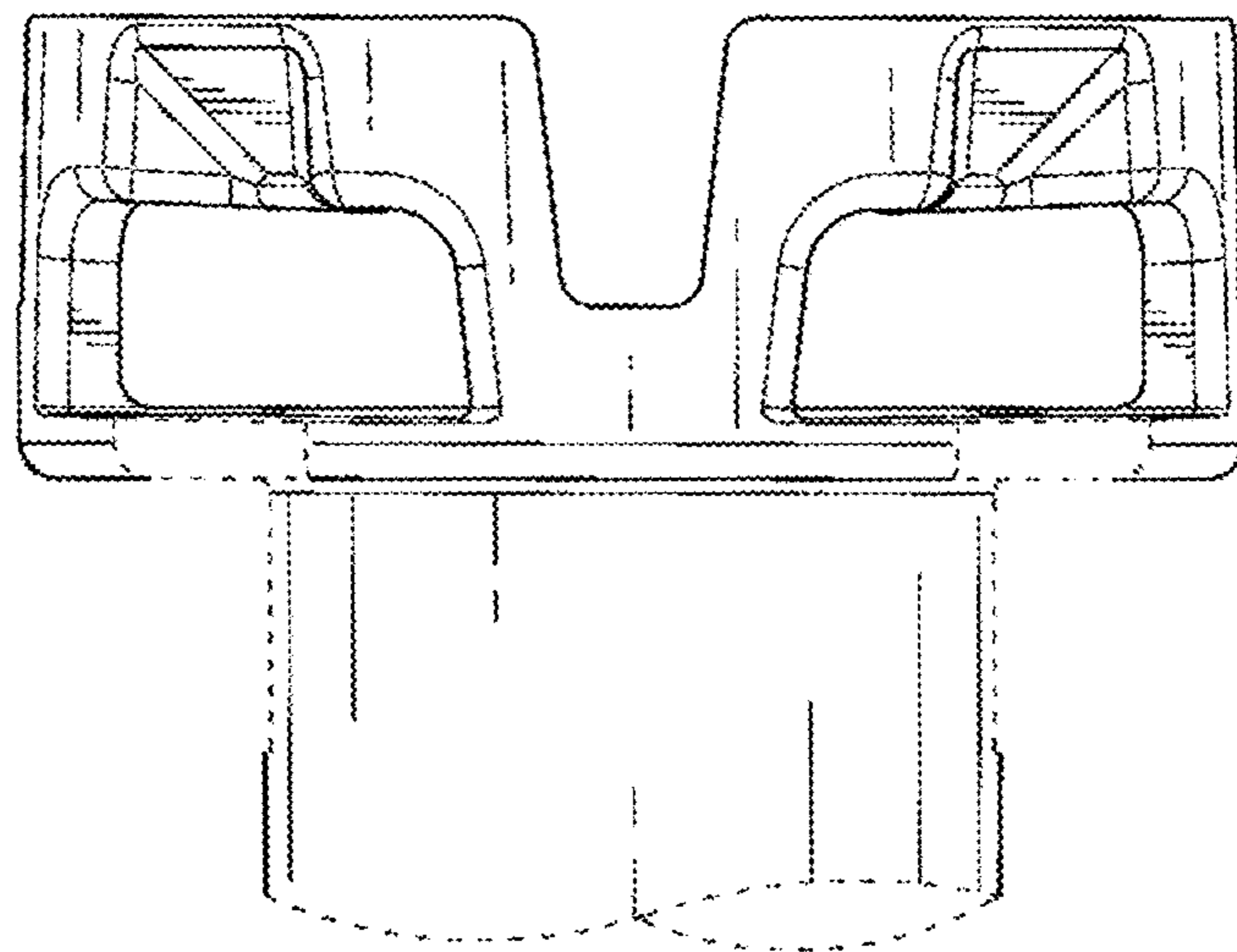


FIG. 11