



US00D765836S

(12) **United States Design Patent** (10) **Patent No.:** **US D765,836 S**
Kammer et al. (45) **Date of Patent:** **** Sep. 6, 2016**

(54) **CONTAINER FOR FORMATION OF SURGICAL SLUSH**

D471,101 S * 3/2003 Bezek D9/428
D533,670 S 12/2006 Py et al.
D537,721 S 3/2007 Kertels
H2199 H * 9/2007 Horton D24/197

(71) Applicant: **C° Change Surgical LLC**,
Winston-Salem, NC (US)

(Continued)

(72) Inventors: **Patrick Kammer**, Greensboro, NC
(US); **Kevin Joseph Rackers**,
Summerfield, NC (US)

OTHER PUBLICATIONS

Johnston, Nathan M., Office Action and Notices of References Cited for co-pending and commonly assigned application for Container for Formation of Surgical Slush, Design U.S. Appl. No. 29/510,524, filed Nov. 30, 2014 for Container for Formation of Surgical Slush, Office Action dated Jan. 5, 2016, 9 pages, United States Patent and Trademark Office, Alexandria, Virginia.

(73) Assignee: **C° Change Surgical LLC**,
Winston-Salem, NC (US)

(Continued)

(**) Term: **15 Years**

(21) Appl. No.: **29/528,084**

Primary Examiner — David Muller

(22) Filed: **May 26, 2015**

Assistant Examiner — Nathan Johnston

(51) **LOC (10) Cl.** **24-04**

(74) *Attorney, Agent, or Firm* — Kevin E Flynn; Flynn IP Law

(52) **U.S. Cl.**

USPC **D24/121**

(58) **Field of Classification Search**

USPC D24/121, 113, 112, 127, 224, 117;
604/403; D9/453, 449, 447, 440, 436,
D9/435, 434, 516, 547, 549, 560, 572,
D9/573; D7/398, 397, 608, 602, 619.1,
D7/629; 222/570, 569, 544, 548, 562, 157,
222/158

CPC .. A61B 19/081; A61F 7/0241; A61F 7/0085
See application file for complete search history.

(57) **CLAIM**

The ornamental design for a container for formation of surgical slush, as shown.

DESCRIPTION

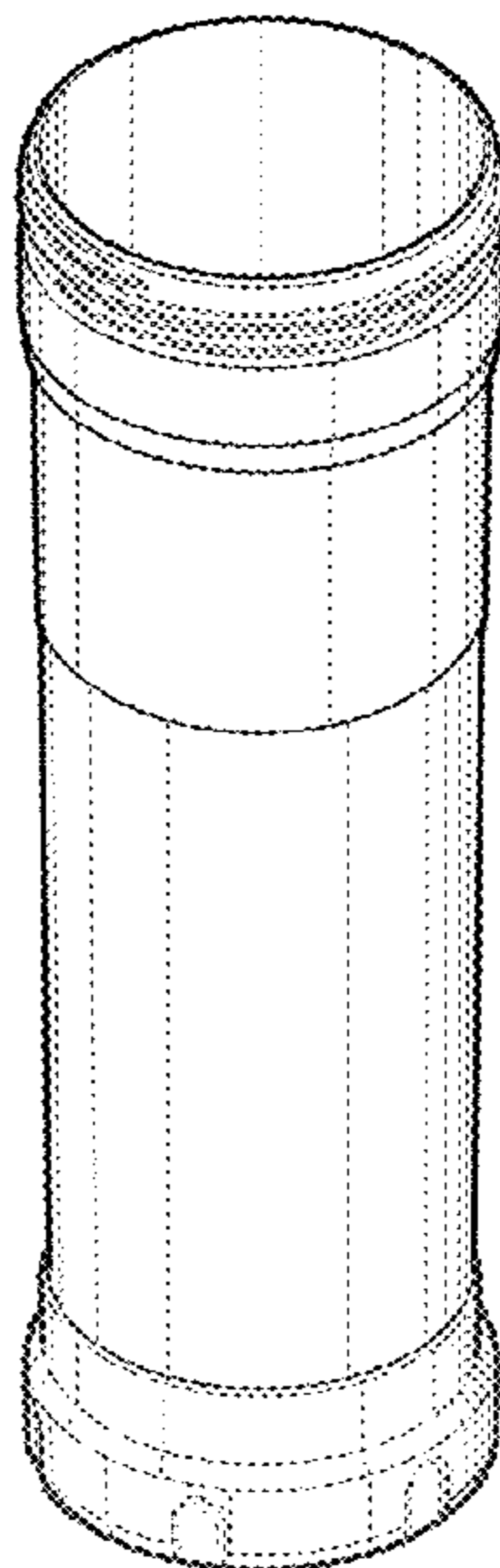
FIG. 1 is a perspective view of the right side, front side, and top side of a container for formation of surgical slush with a container top showing the new design; FIG. 2 is a perspective view of the right side, front side, and top side of a container without the container top of FIG. 1; FIG. 3 is a front side elevational view thereof; FIG. 4 is a right side elevational view thereof; FIG. 5 is a left side elevational view thereof; and, FIG. 6 is a rear side elevational view thereof. The broken lines are shown for environmental purposes only and form no part of the claimed design.

(56) **References Cited**

U.S. PATENT DOCUMENTS

3,809,068 A 5/1974 Kosowsky
D335,450 S 5/1993 Pezzoli et al.
D337,271 S 7/1993 Pezzoli et al.
D354,913 S 1/1995 Pezzoli et al.
D439,345 S 3/2001 Herchenbach et al.

1 Claim, 4 Drawing Sheets



(56)

References Cited

OTHER PUBLICATIONS

U.S. PATENT DOCUMENTS

D559,396 S 1/2008 Dave
 D561,908 S * 2/2008 Py D24/224
 D569,195 S * 5/2008 Kim D7/608
 D592,909 S 5/2009 Alviar et al.
 D627,604 S * 11/2010 Eyal D7/510
 7,874,167 B2 1/2011 Kammer
 D641,591 S 7/2011 Tsukida
 D652,682 S 1/2012 Eyal
 D690,161 S * 9/2013 Garner D7/510
 D709,734 S 7/2014 Kotani
 D729,584 S 5/2015 Weston et al.
 D729,585 S * 5/2015 Boroski D7/511
 D741,655 S * 10/2015 Whelan D7/300.1
 D744,781 S * 12/2015 Rummel D7/511
 2010/0200602 A1 * 8/2010 Chan A47G 19/2272
 220/714

C Change Surgical website Intelli-Siush Feb. 3, 2015 <http://www.cchangesurgical.com/surgislush.html>, 3 pages.
 C Change Surgical Facebook Intelli-Siush Jan. 18, 2015 <https://www.facebook.com/SurgiSiush-315075491944248/>, 3 pages plus two images from that web page printed for a total of 5 pages.
 1000 mL Standard Jar, web page found at <http://www.savillex.com/ProductDetail.aspx?ProductName=Jar-only-1000-ml-threaded-top>, copyrighted 2013, Savillex Corporation, Eden Prairie, MN, USA.
 Jar Dimensions, PDF file linked to web page found at <http://www.savillex.com/ProductDetail.aspx?ProductName=Jar-only-1000-ml-threaded-top>, PDF metadata indicates file creation date of Nov. 28, 2012, Savillex Corporation, Eden Prairie, MN, USA.
 Kammer, Patrick, SurgiSLUSH™—Set Your Team Free with the New Intelli-SLUSH™ Re-Usable Slush Containers, Jan. 12, 2015, 2 pages, C° Change Surgical LLC, Winston-Salem, NC.

* cited by examiner

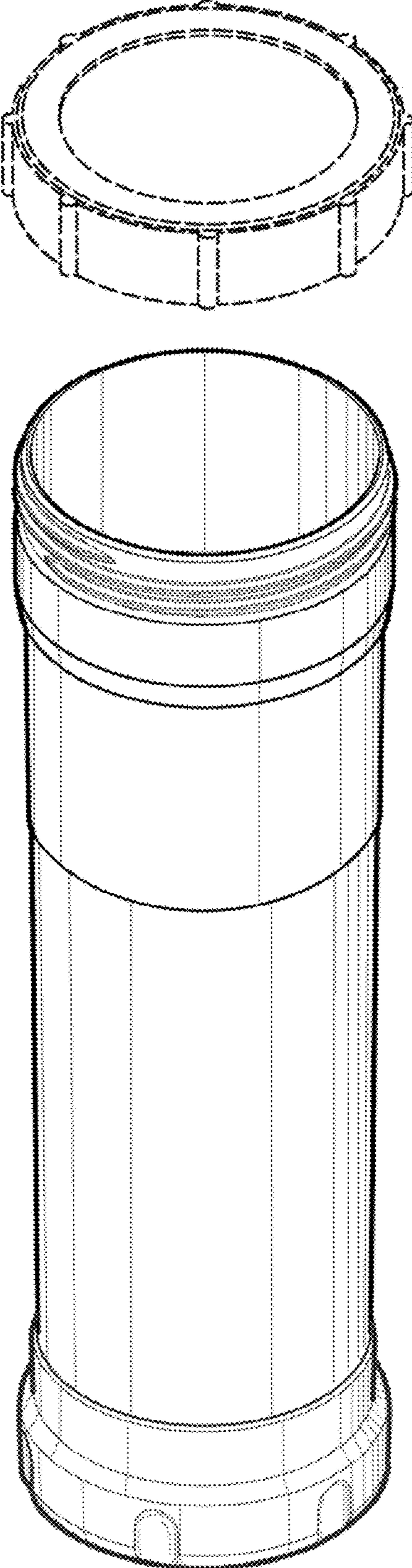


FIG. 1

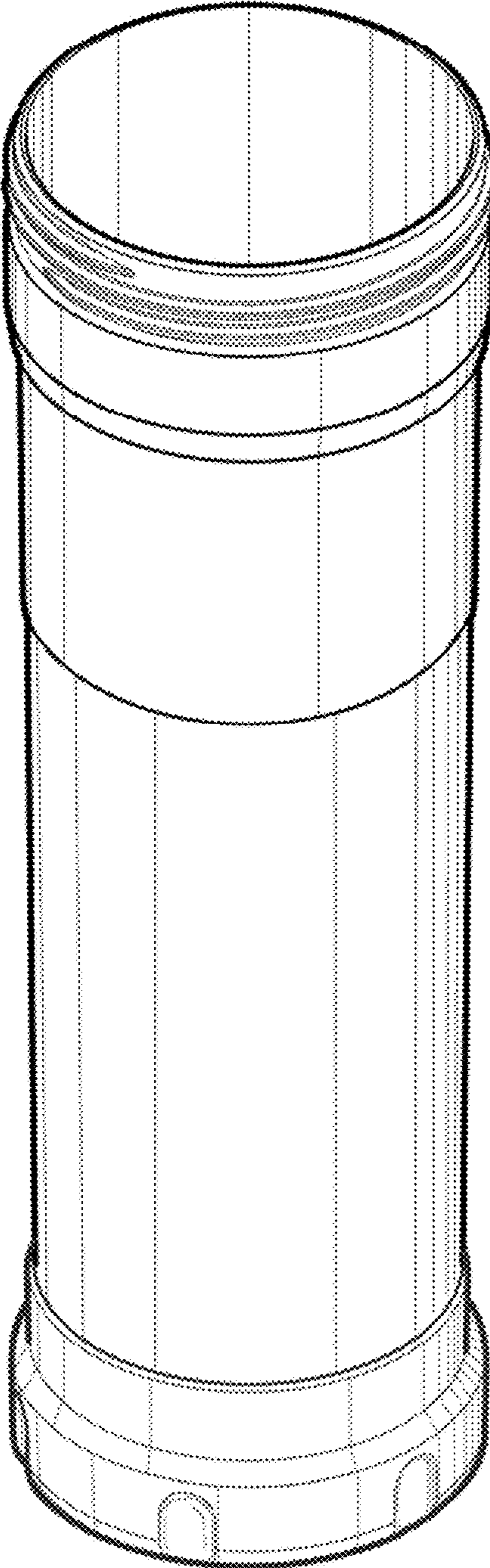


FIG. 2

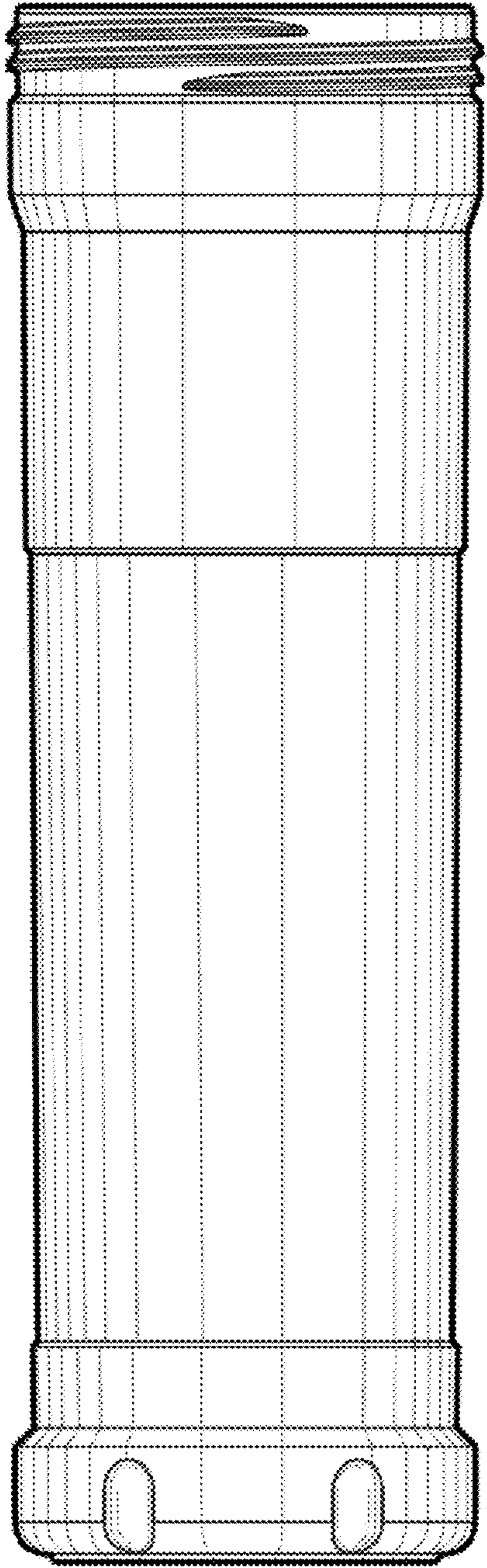


FIG. 3

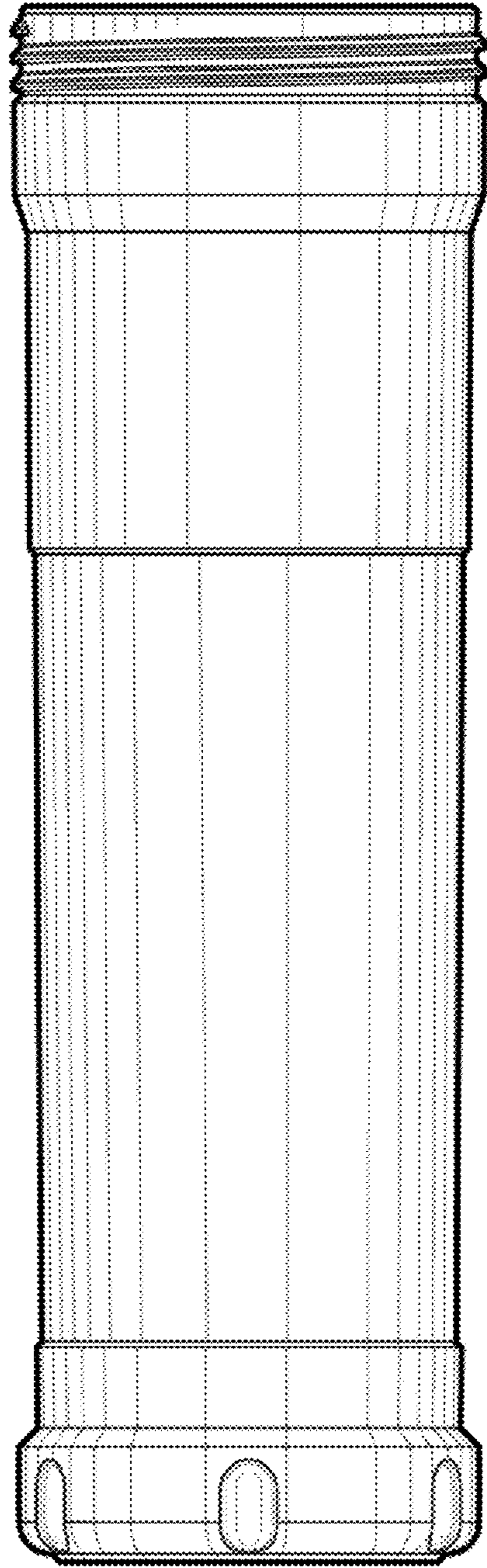


FIG. 4

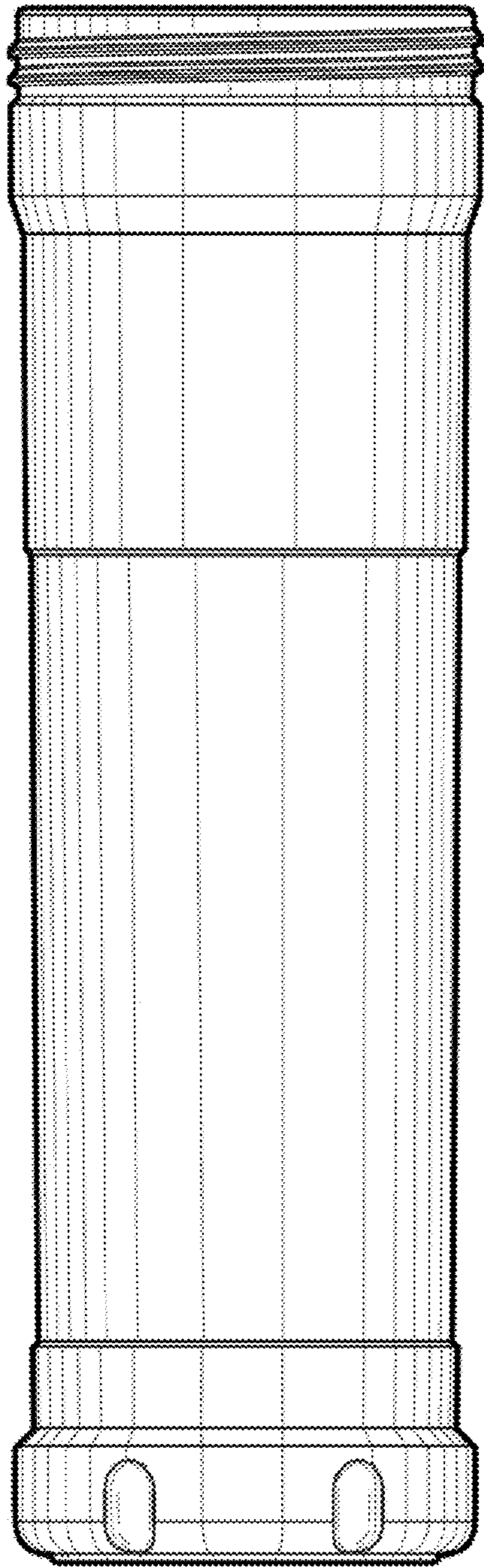


FIG. 5

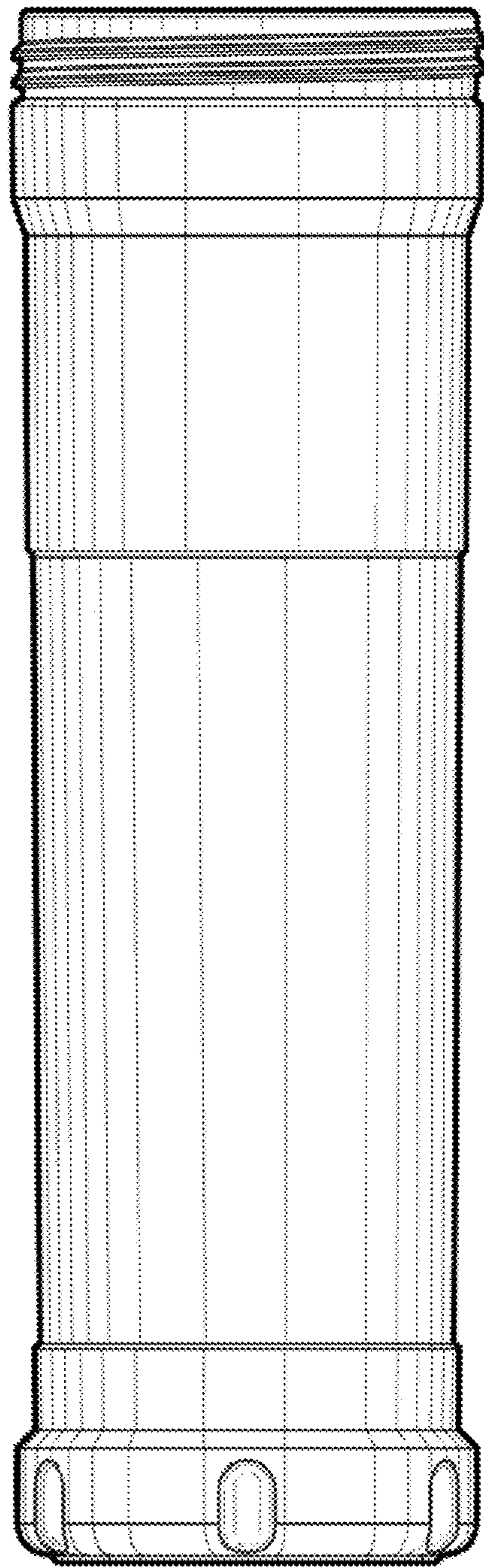


FIG. 6