

US00D765835S

(12) **United States Design Patent** (10) **Patent No.:** **US D765,835 S**  
**Kammer et al.** (45) **Date of Patent:** **\*\* Sep. 6, 2016**

(54) **CONTAINER FOR FORMATION OF SURGICAL SLUSH**

(71) Applicant: **C° Change Surgical LLC**,  
Winston-Salem, NC (US)

(72) Inventors: **Patrick Kammer**, Greensboro, NC  
(US); **Kevin Joseph Rackers**,  
Summerfield, NC (US)

(73) Assignee: **C° Change Surgical LLC**,  
Winston-Salem, NC (US)

(\*\*) Term: **14 Years**

(21) Appl. No.: **29/510,524**

(22) Filed: **Nov. 30, 2014**

(51) **LOC (10) Cl.** ..... **24-04**

(52) **U.S. Cl.**  
USPC ..... **D24/121**

(58) **Field of Classification Search**  
USPC ..... D24/121, 113, 112, 127, 224, 117;  
604/403; D9/453, 449, 447, 440, 436,  
D9/435, 434, 516, 547, 549, 560, 572,  
D9/573; D7/398, 397, 608, 602, 619.1,  
D7/629; 222/570, 569, 544, 548, 562, 157,  
222/158  
CPC .. A61B 19/081; A61F 7/0241; A61F 7/0085  
See application file for complete search history.

(56) **References Cited**

**U.S. PATENT DOCUMENTS**

- 3,809,068 A \* 5/1974 Kosowsky ..... A61B 5/1405  
422/913
- D335,450 S \* 5/1993 Pezzoli ..... D24/197
- D337,271 S \* 7/1993 Pezzoli ..... D9/453
- D354,913 S \* 1/1995 Pezzoli ..... D24/197
- D439,345 S \* 3/2001 Herchenbach ..... D24/224

- D471,101 S 3/2003 Bezek
- D533,670 S \* 12/2006 Py ..... D24/121
- D537,721 S \* 3/2007 Kertels ..... D9/449
- H2199 H 9/2007 Horton
- D559,396 S \* 1/2008 Dave ..... D24/121
- D561,908 S 2/2008 Py
- D569,195 S 5/2008 Kim
- D592,909 S \* 5/2009 Alviar ..... D7/510
- D627,604 S 11/2010 Eyal

(Continued)

**OTHER PUBLICATIONS**

C Change Surgical website, Intelli-Slush, Feb. 3, 2015, <http://www.cchangesurgical.com/surgislush.html>.\*

(Continued)

*Primary Examiner* — David Muller

*Assistant Examiner* — Nathan Johnston

(74) *Attorney, Agent, or Firm* — Kevin E. Flynn; Flynn IP Law

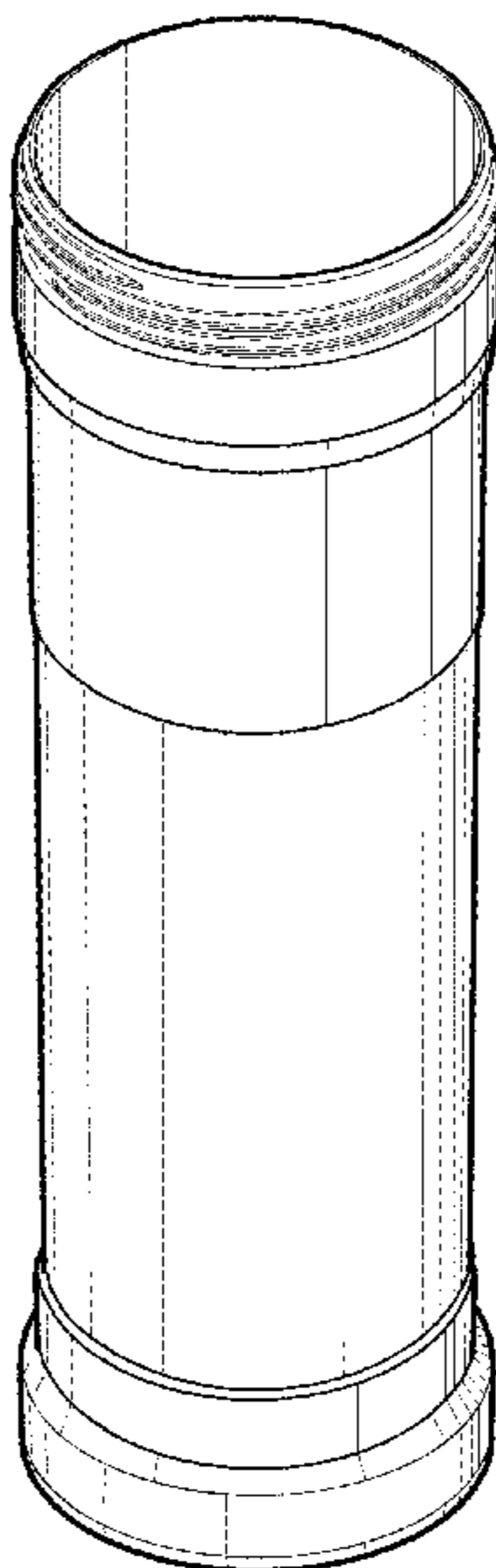
(57) **CLAIM**

The ornamental design for a container for formation of surgical slush, as shown.

**DESCRIPTION**

FIG. 1 is a perspective view of the right side, front side, and top side of a container for formation of surgical slush with a container top showing the new design;  
FIG. 2 is a perspective view of the right side, front side, and top side of a container without the container top of FIG. 1;  
FIG. 3 is a front side elevational view thereof;  
FIG. 4 is a right side elevational view thereof;  
FIG. 5 is a left side elevational view thereof; and,  
FIG. 6 is a rear side elevational view thereof.  
The broken lines are shown for environmental purposes only and form no part of the claimed design.

**1 Claim, 4 Drawing Sheets**



(56)

References Cited

OTHER PUBLICATIONS

U.S. PATENT DOCUMENTS

7,874,167 B2 1/2011 Kammer  
D641,591 S \* 7/2011 Tsukida ..... D7/608  
D652,682 S \* 1/2012 Eyal ..... D7/510  
D690,161 S 9/2013 Garner  
D709,734 S \* 7/2014 Kotani ..... D7/608  
D729,584 S \* 5/2015 Weston ..... D7/510  
D729,585 S 5/2015 Boroski  
D741,655 S 10/2015 Whelan  
D744,781 S 12/2015 Rummel  
2010/0200602 A1 8/2010 Chan

C Change Surgical Facebook, Intelli-Slush, Jan. 18, 2015, <https://www.facebook.com/SurgiSlush-315075491944248/>. \*  
1000 mL Standard Jar, web page found at <http://www.savillex.com/ProductDetail.aspx?ProductName=Jar-only-1000-ml-threaded-top>, copyrighted 2013, Savillex Corporation, Eden Prairie, MN, USA. Jar Dimensions, PDF file linked to web page found at <http://www.savillex.com/ProductDetail.aspx?ProductName=Jar-only-1000-ml-threaded-top>, PDF metadata indicates file creation date of Nov. 28, 2012, Savillex Corporation, Eden Prairie, MN, USA.

\* cited by examiner

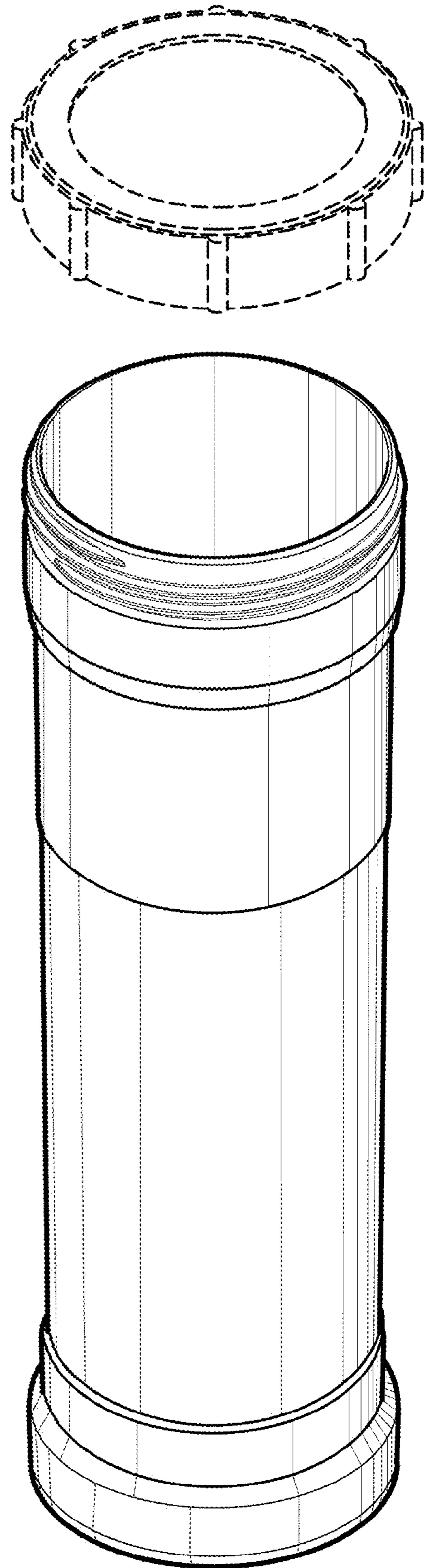


FIG. 1

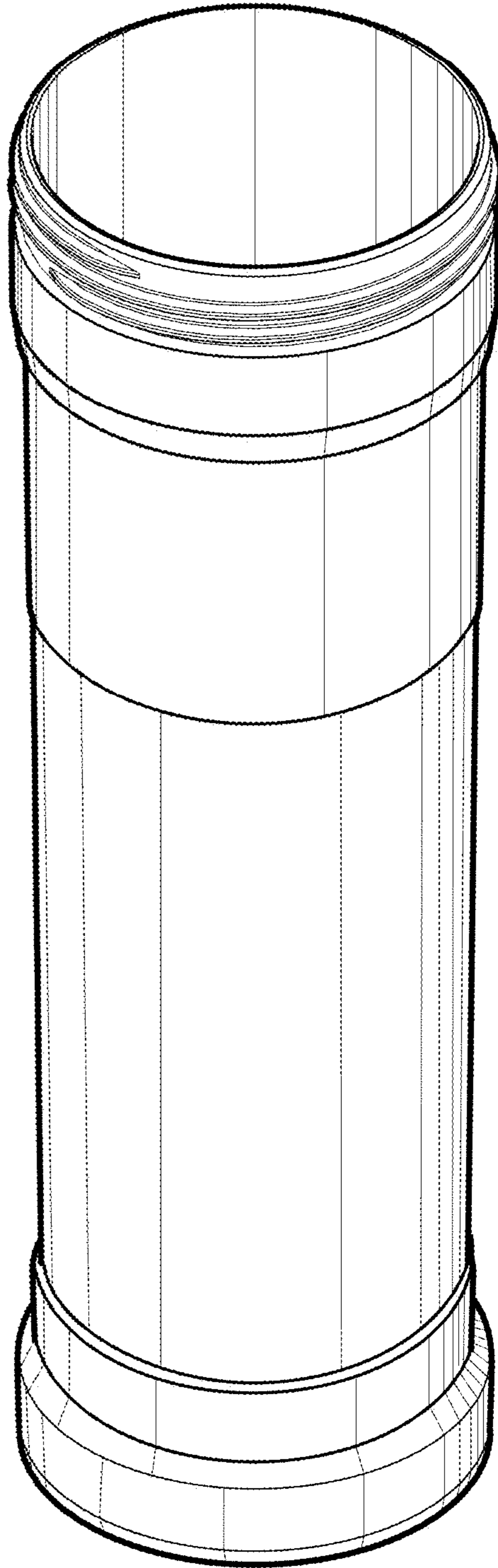


FIG. 2



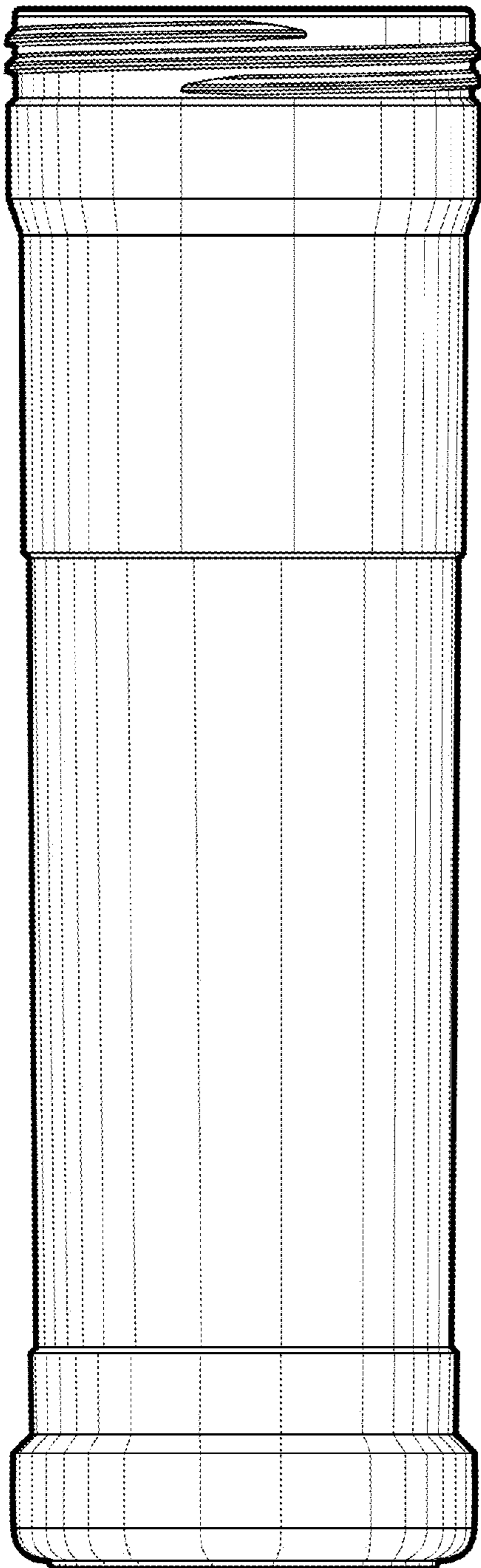


FIG. 3

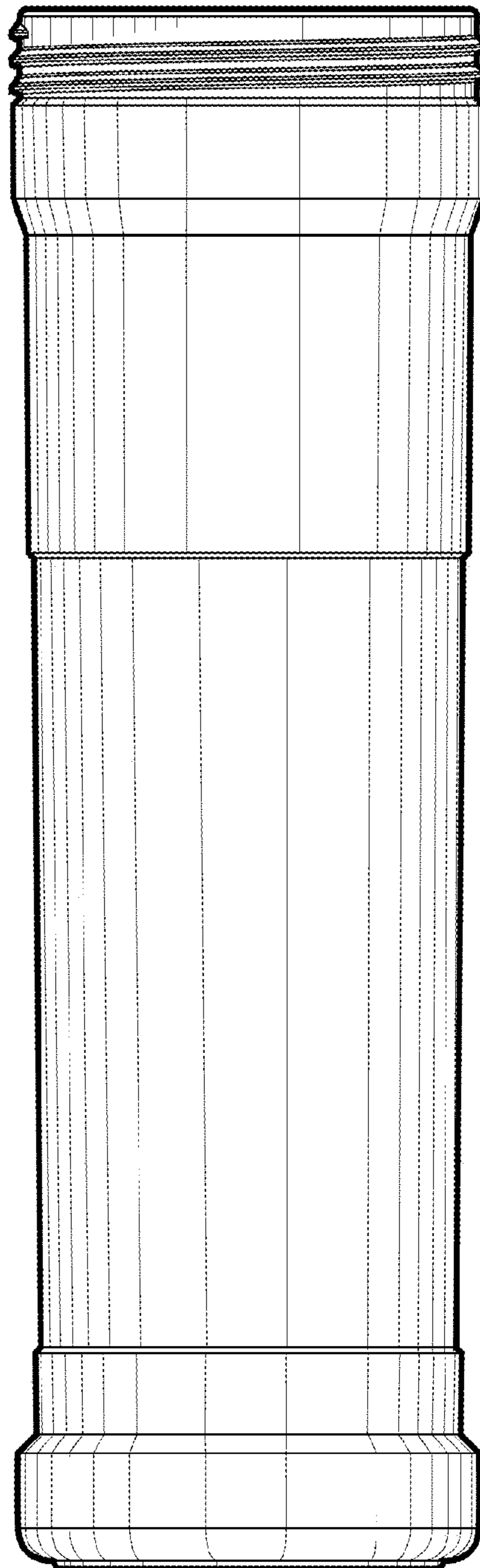


FIG. 4

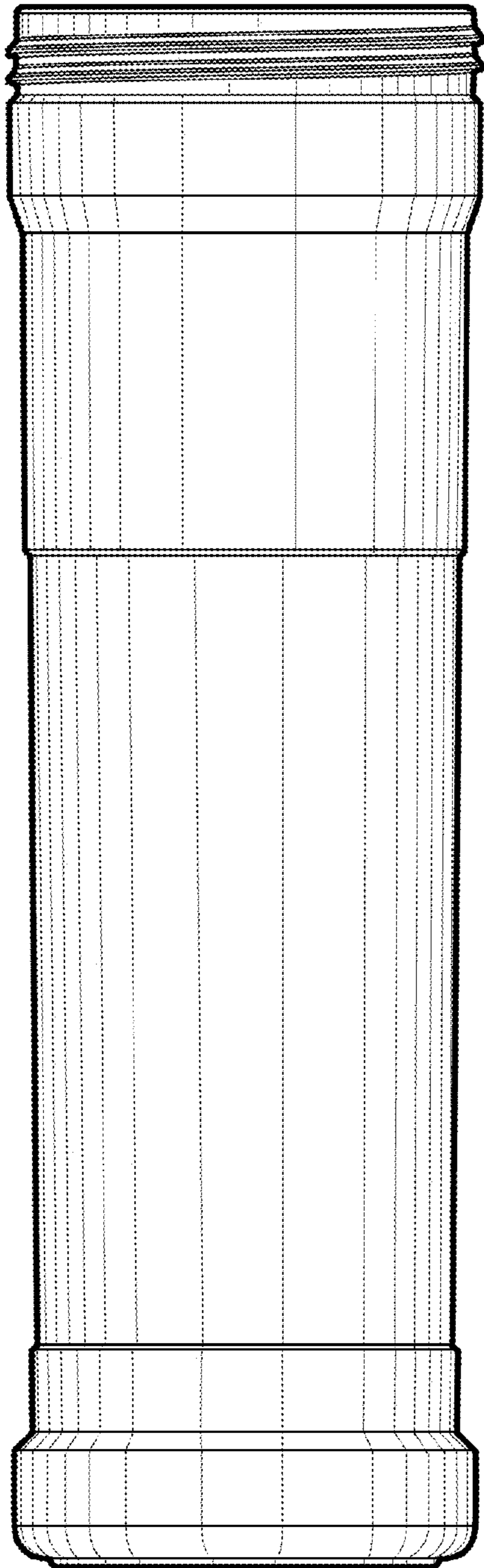


FIG. 5

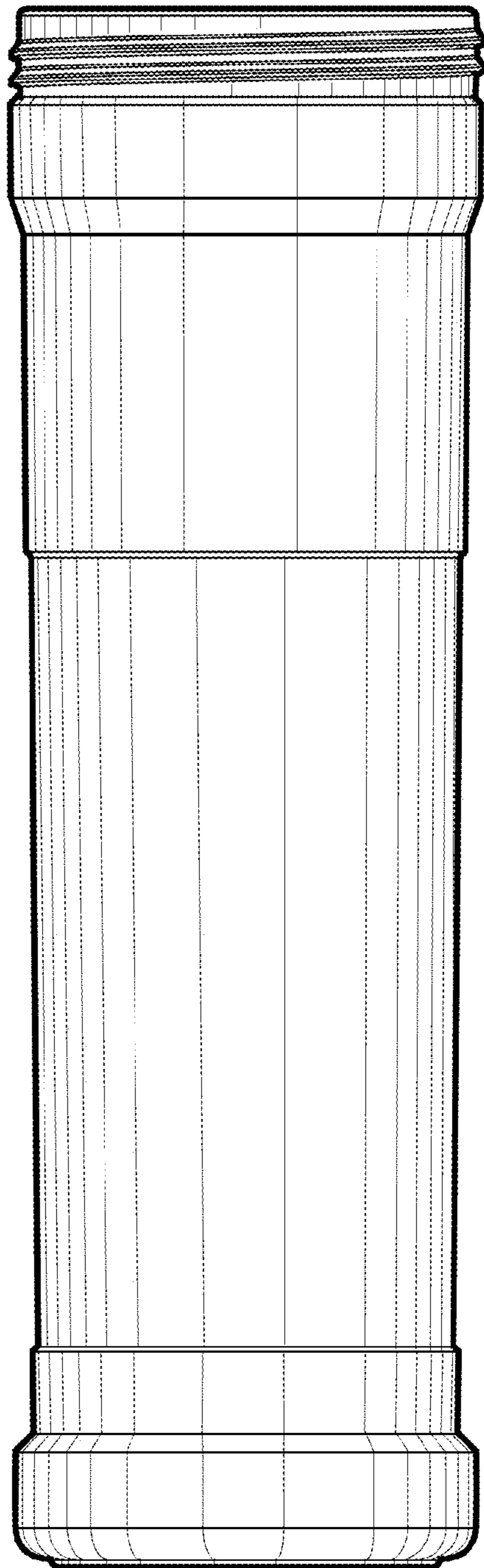


FIG. 6