

US00D765834S

(12) **United States Design Patent** (10) **Patent No.:** **US D765,834 S**  
**Behan** (45) **Date of Patent:** **\*\* Sep. 6, 2016**

(54) **STABILIZED EYEDROPPER**  
(71) Applicant: **Bullseye Dropper, LLC**, Covington, KY (US)  
(72) Inventor: **Robert James Behan**, Crescent Springs, KY (US)

4,733,802 A 3/1988 Sheldon  
4,792,334 A 12/1988 Py  
4,834,727 A 5/1989 Cope  
4,834,728 A 5/1989 McKenna  
D324,267 S \* 2/1992 Smitt ..... D24/112  
5,156,285 A 10/1992 Zogg et al.

(Continued)

(73) Assignee: **Bullseye Dropper, LLC**, Covington, KY (US)

**FOREIGN PATENT DOCUMENTS**

ES 1015791 U 9/1991  
FR 2694492 A1 2/1994

(Continued)

(\*\*) Term: **14 Years**

(21) Appl. No.: **29/486,907**

**OTHER PUBLICATIONS**

(22) Filed: **Apr. 3, 2014**

Facebook, Bullseye Dropper, Jul. 10, 2014, <https://www.facebook.com/bullseyedropper/>.\*

(51) **LOC (10) Cl.** ..... **24-02**

(Continued)

(52) **U.S. Cl.**  
USPC ..... **D24/115**

(58) **Field of Classification Search**  
USPC ..... D24/115, 117, 223, 226, 222; 222/209, 222/207, 215, 541.6, 541.4, 541.9; D9/695-699, 529; 206/529; 604/3, 604/298; 215/47, 48; 128/200.24  
CPC ... A61F 9/0026; A61F 9/0008; B65D 47/18; A61H 35/02  
See application file for complete search history.

*Primary Examiner* — David Muller  
*Assistant Examiner* — Nathan Johnston  
(74) *Attorney, Agent, or Firm* — Wood, Herron & Evans, LLP

(57) **CLAIM**  
The ornamental design for a stabilized eyedropper, as shown and described.

(56) **References Cited**

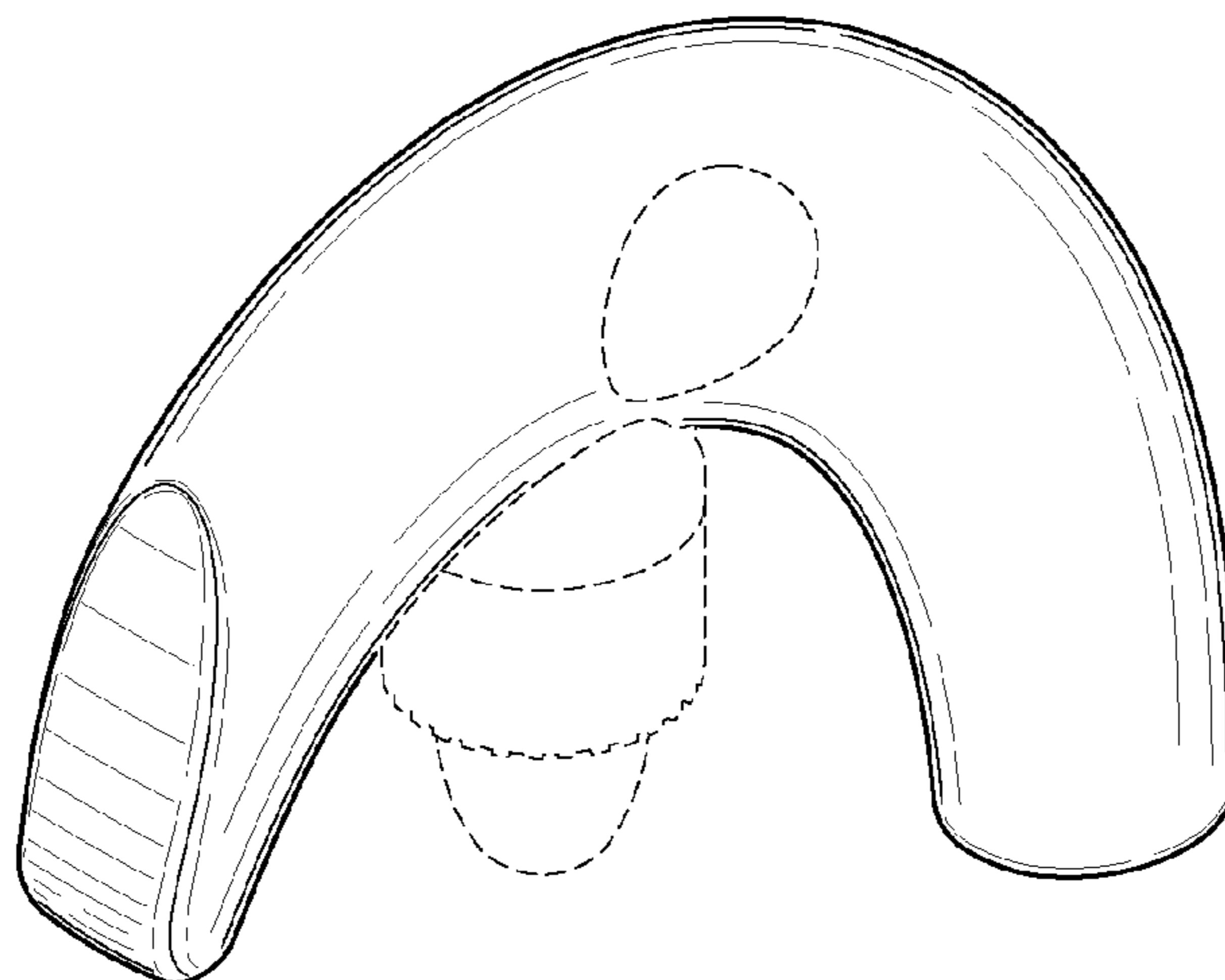
**DESCRIPTION**

**U.S. PATENT DOCUMENTS**

3,058,466 A 10/1962 Routsong  
3,135,302 A 6/1964 Ballin  
3,224,650 A 12/1965 Willits, Jr.  
3,248,017 A 4/1966 Allen  
3,422,995 A 1/1969 Carpigiani  
3,872,866 A 3/1975 Lelicoff  
3,934,590 A 1/1976 Campagna et al.  
3,945,381 A 3/1976 Silver  
4,085,750 A 4/1978 Bosshold  
4,111,200 A 9/1978 Sbarra et al.  
4,526,490 A 7/1985 Welsh  
4,543,096 A 9/1985 Keene  
4,605,398 A 8/1986 Herrick

FIG. 1 is a front perspective view of the stabilized eyedropper of the present invention;  
FIG. 2 is a front elevation view thereof;  
FIG. 3 is a rear elevation view thereof;  
FIG. 4 is a top plan view thereof;  
FIG. 5 is a left side elevation view thereof;  
FIG. 6 is a right side elevation view thereof; and,  
FIG. 7 is a bottom plan view thereof.  
The broken lines are shown for environmental purpose only and form no part of the claimed design.

**1 Claim, 3 Drawing Sheets**



(56)

References Cited

U.S. PATENT DOCUMENTS

D364,456 S \* 11/1995 Solnit ..... D24/112  
5,487,495 A 1/1996 Derksen  
5,582,330 A 12/1996 Iba  
5,611,788 A 3/1997 Marchment  
5,810,794 A 9/1998 Peplinski  
D425,617 S \* 5/2000 Snedden ..... D24/115  
6,090,086 A 7/2000 Bolden  
D432,918 S \* 10/2000 Aftoora ..... D7/590  
D439,977 S \* 4/2001 Wenger ..... D24/133  
6,530,908 B1 3/2003 Sherman et al.  
6,595,970 B1 7/2003 Davidian  
7,077,831 B2 7/2006 Skolik  
D530,823 S \* 10/2006 Sevier ..... D24/200  
D627,878 S \* 11/2010 Bruns ..... D24/112  
7,846,140 B2 \* 12/2010 Hagele ..... A61F 9/0008  
604/295  
D643,530 S \* 8/2011 Ramstad ..... D24/133  
8,216,195 B2 7/2012 Wu

8,246,589 B2 8/2012 Marx  
D670,394 S \* 11/2012 Collins ..... D24/186  
8,348,912 B2 1/2013 Rehkemper et al.  
D676,194 S \* 2/2013 Biegel ..... D28/7  
8,678,299 B2 3/2014 Ham et al.  
D744,091 S \* 11/2015 Bendix ..... D24/118  
2012/0310184 A1 12/2012 Pederson

FOREIGN PATENT DOCUMENTS

GB 1044102 A 9/1966  
GB 2142829 A 1/1985  
JP 2000310645 A 11/2000

OTHER PUBLICATIONS

International Searching Authority, International Search Report and  
Written Opinion in related Application No. PCT/US2014/03280,  
mailed Sep. 12, 2014 (9 pages).

\* cited by examiner

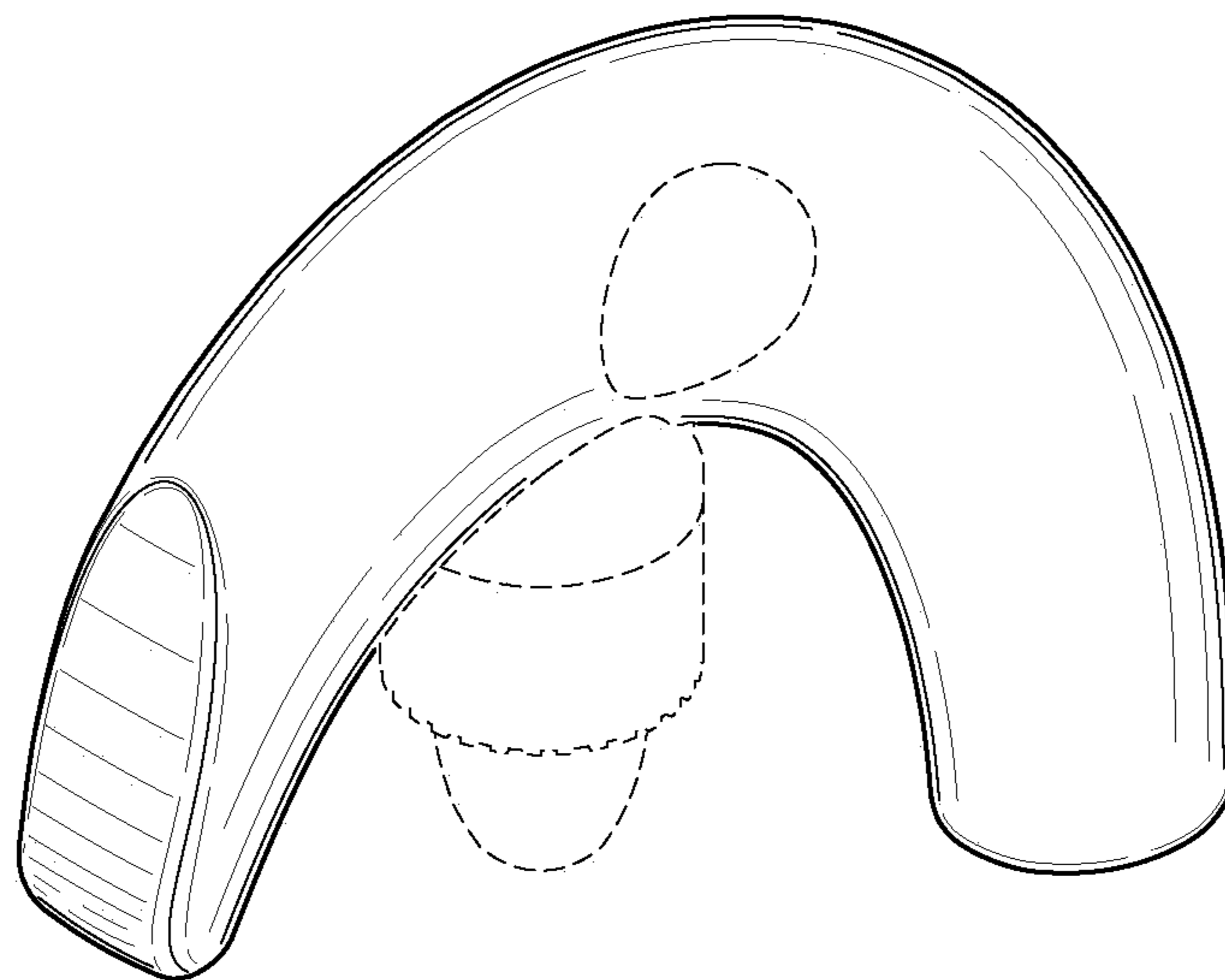


FIG. 1

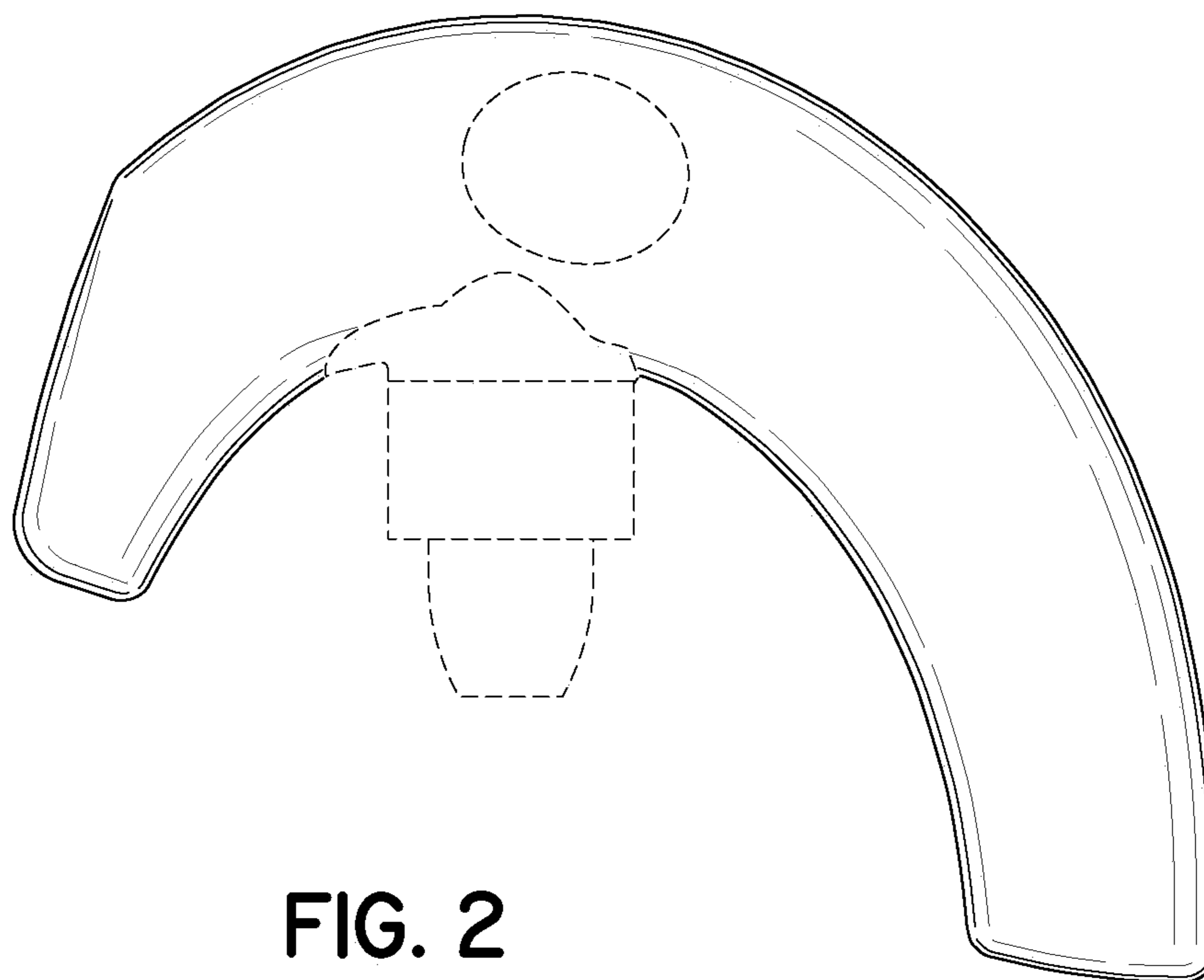


FIG. 2

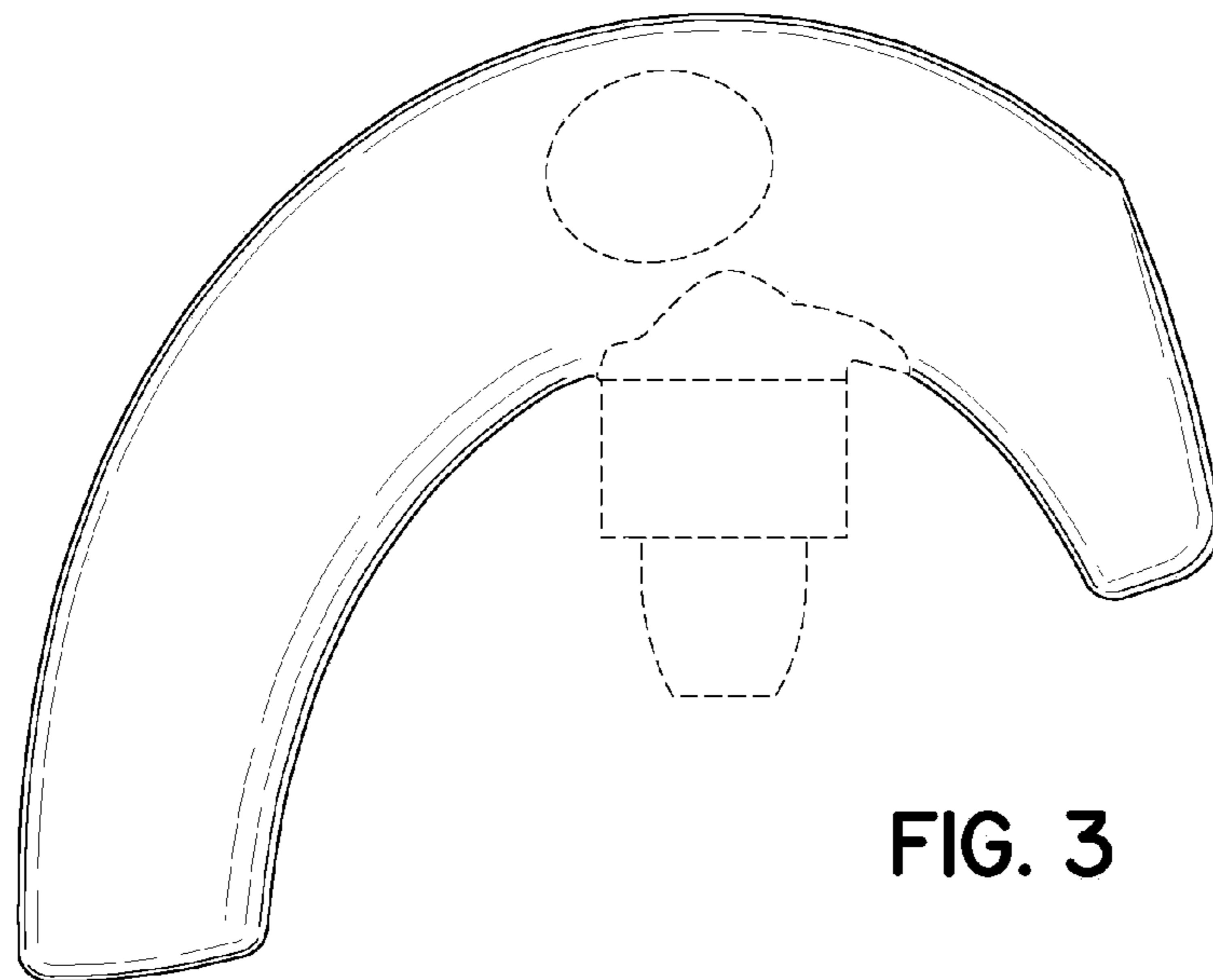


FIG. 3

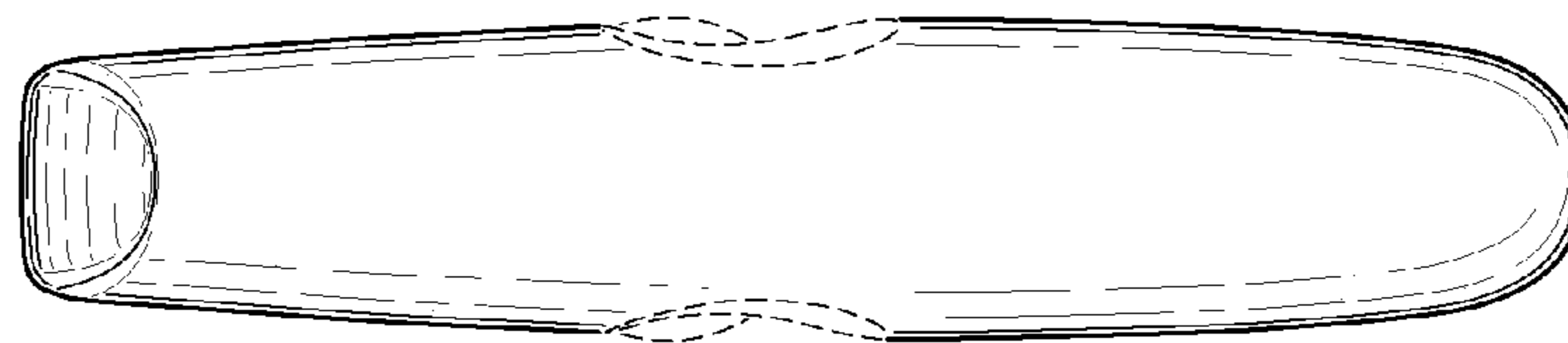


FIG. 4

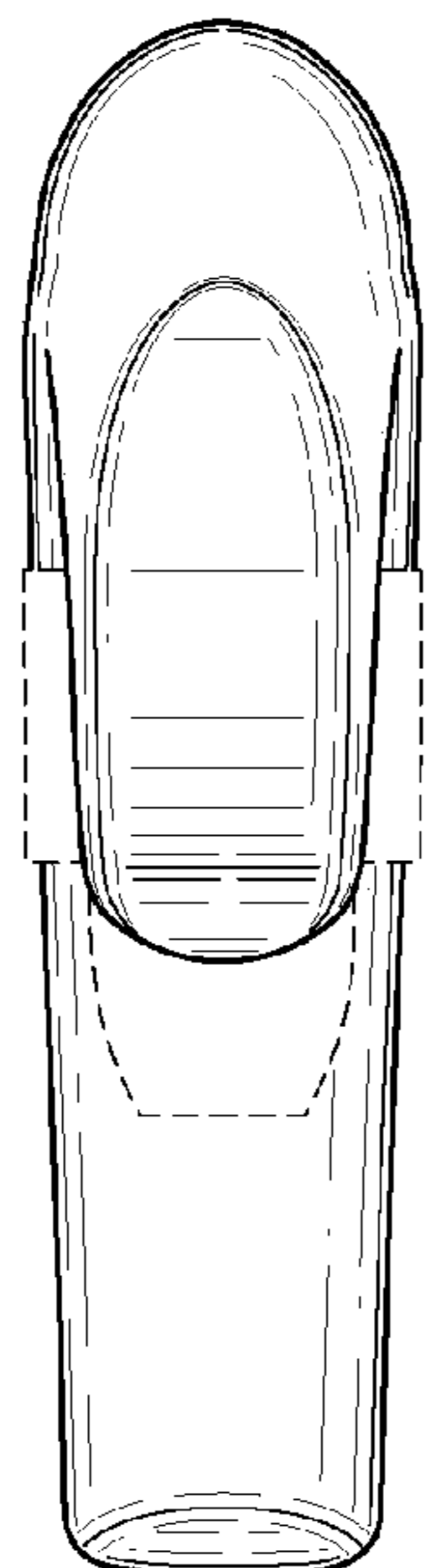


FIG. 5

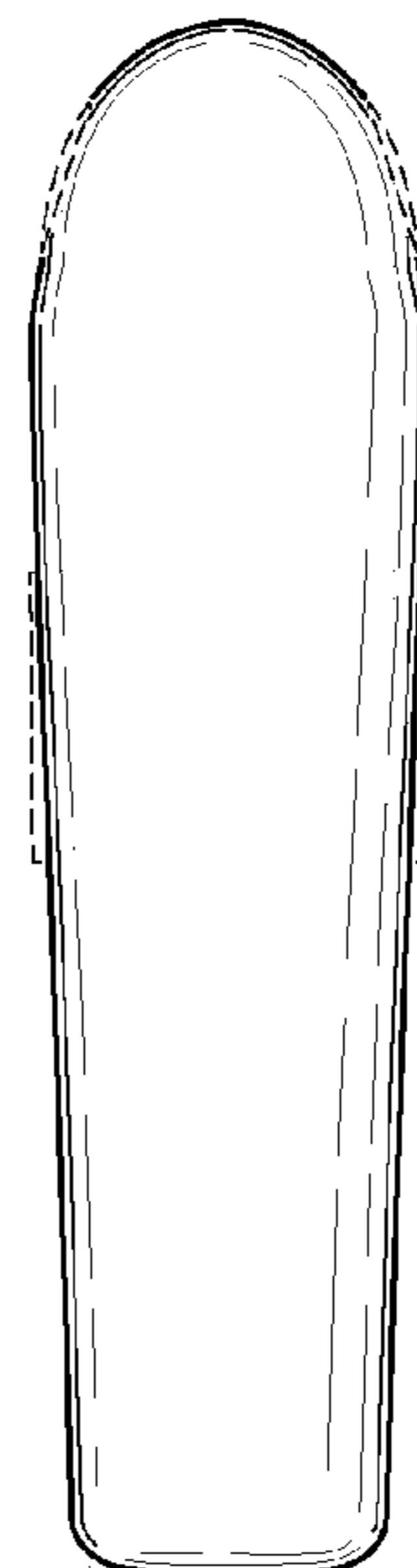


FIG. 6

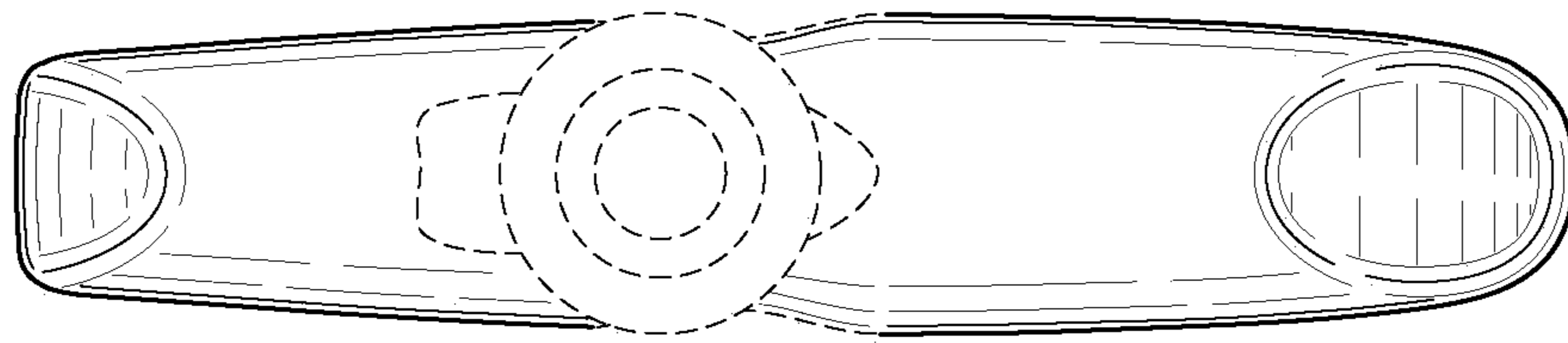


FIG. 7

UNITED STATES PATENT AND TRADEMARK OFFICE  
**CERTIFICATE OF CORRECTION**

PATENT NO. : D765,834 S  
APPLICATION NO. : 29/486907  
DATED : September 6, 2016  
INVENTOR(S) : Robert Behan

Page 1 of 1

It is certified that error appears in the above-identified patent and that said Letters Patent is hereby corrected as shown below:

On the Title Page

Column 1, Insert Item (62):

--Related Application Data

(62) Claims benefit of provisional application No. 61/853,359 filed April 3, 2014 and provisional application No. 61/847,074 filed July 16, 2013--

Signed and Sealed this  
Twenty-first Day of March, 2017



Michelle K. Lee  
*Director of the United States Patent and Trademark Office*