



US00D765832S

(12) **United States Design Patent**
Hochman et al.

(10) **Patent No.:** **US D765,832 S**

(45) **Date of Patent:** **** Sep. 6, 2016**

(54) **EPIDURAL INJECTION DEVICE**
(71) Applicant: **Milestone Scientific Inc.**, Livingston, NJ (US)
(72) Inventors: **Mark N. Hochman**, Lake Success, NY (US); **Stephen R. Solomon**, Cranford, NJ (US); **Richard Kenneth Buck**, Crystal Lake, IL (US); **Robert John Allen**, Crystal Lake, IL (US)

D630,727 S * 1/2011 Petrovic D24/111
8,256,984 B2 * 9/2012 Fathallah A61M 5/1413
403/380
D669,096 S * 10/2012 Katsura D15/7
D669,165 S * 10/2012 Estes D24/111
D679,379 S * 4/2013 Katsura D24/111
D687,536 S * 8/2013 Guarraia D24/108
D730,514 S * 5/2015 Boaz D24/111
D736,370 S * 8/2015 Sabin D24/111

* cited by examiner

(73) Assignee: **MILESTONE SCIENTIFIC INC.**, Livingston, NJ (US)

Primary Examiner — Charles Hanson

(74) *Attorney, Agent, or Firm* — Stephen H. Eland; Dann, Dorfman, Herrell & Skillman, P.C.

(**) Term: **14 Years**

(57) **CLAIM**

(21) Appl. No.: **29/512,557**

The ornamental design for an epidural injection device, as shown and described.

(22) Filed: **Dec. 19, 2014**

DESCRIPTION

(51) **LOC (10) Cl.** **24-01**

(52) **U.S. Cl.**
USPC **D24/111**

(58) **Field of Classification Search**
USPC D24/111, 107, 108, 169, 186; D15/7-9
CPC A61M 1/00; A61M 5/145; F04B 43/09;
F04B 43/10
See application file for complete search history.

FIG. 1 is a front, left, top perspective view of an epidural injection device showing our design therefor;
FIG. 2 is a rear, bottom, right perspective view thereof;
FIG. 3 is a front elevational view thereof;
FIG. 4 is a rear elevational view thereof;
FIG. 5 is a left side elevational view thereof;
FIG. 6 is a right side elevational view thereof;
FIG. 7 is a top plan view thereof; and,
FIG. 8 is a bottom plan view thereof.

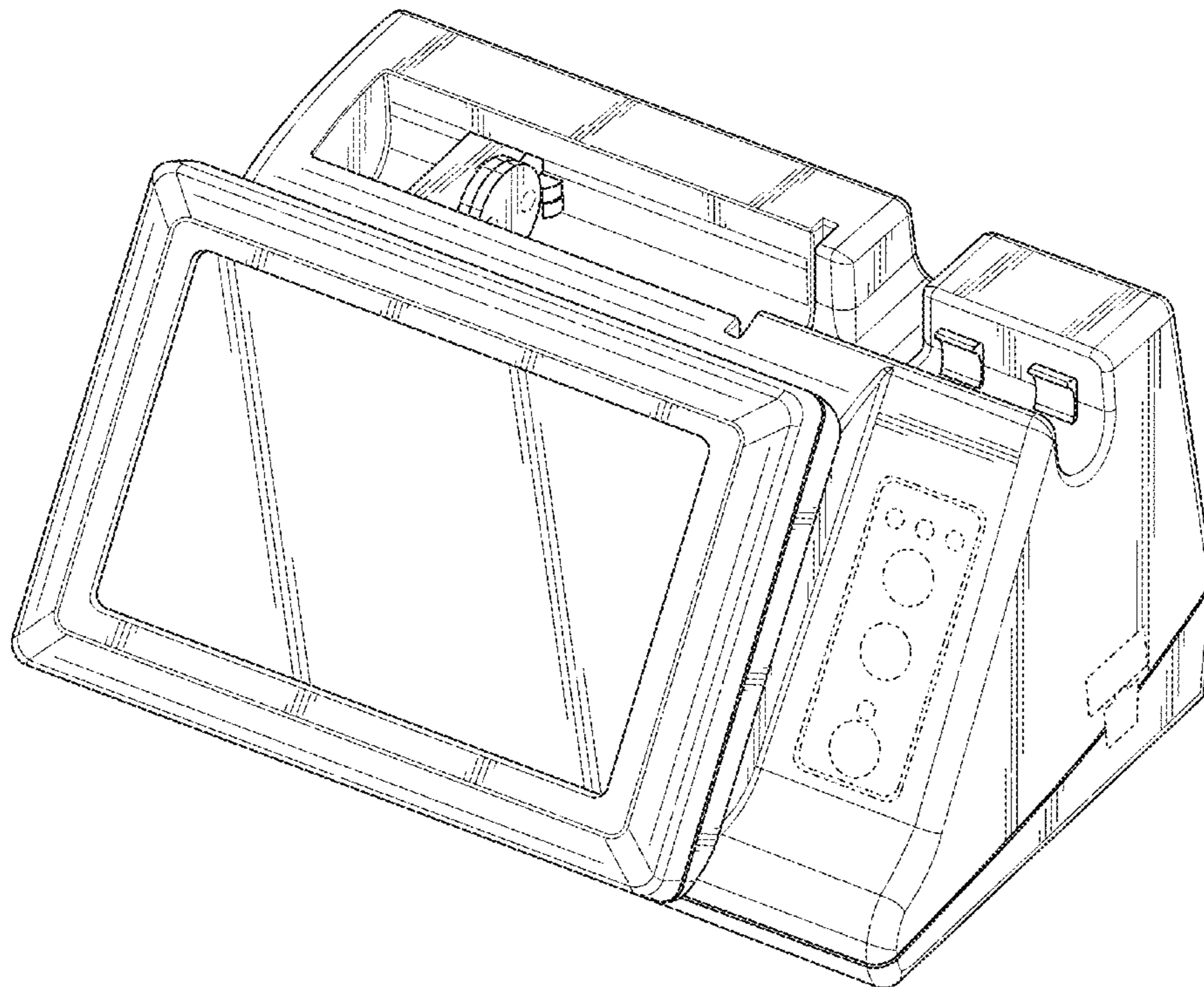
Throughout the drawings, broken lines in the form of dash-dot-dot lines represent environment and form no part of the design.

(56) **References Cited**

U.S. PATENT DOCUMENTS

6,942,637 B2 * 9/2005 Cartledge A61M 1/02
604/131
D556,910 S * 12/2007 Reihanifam D24/169

1 Claim, 8 Drawing Sheets



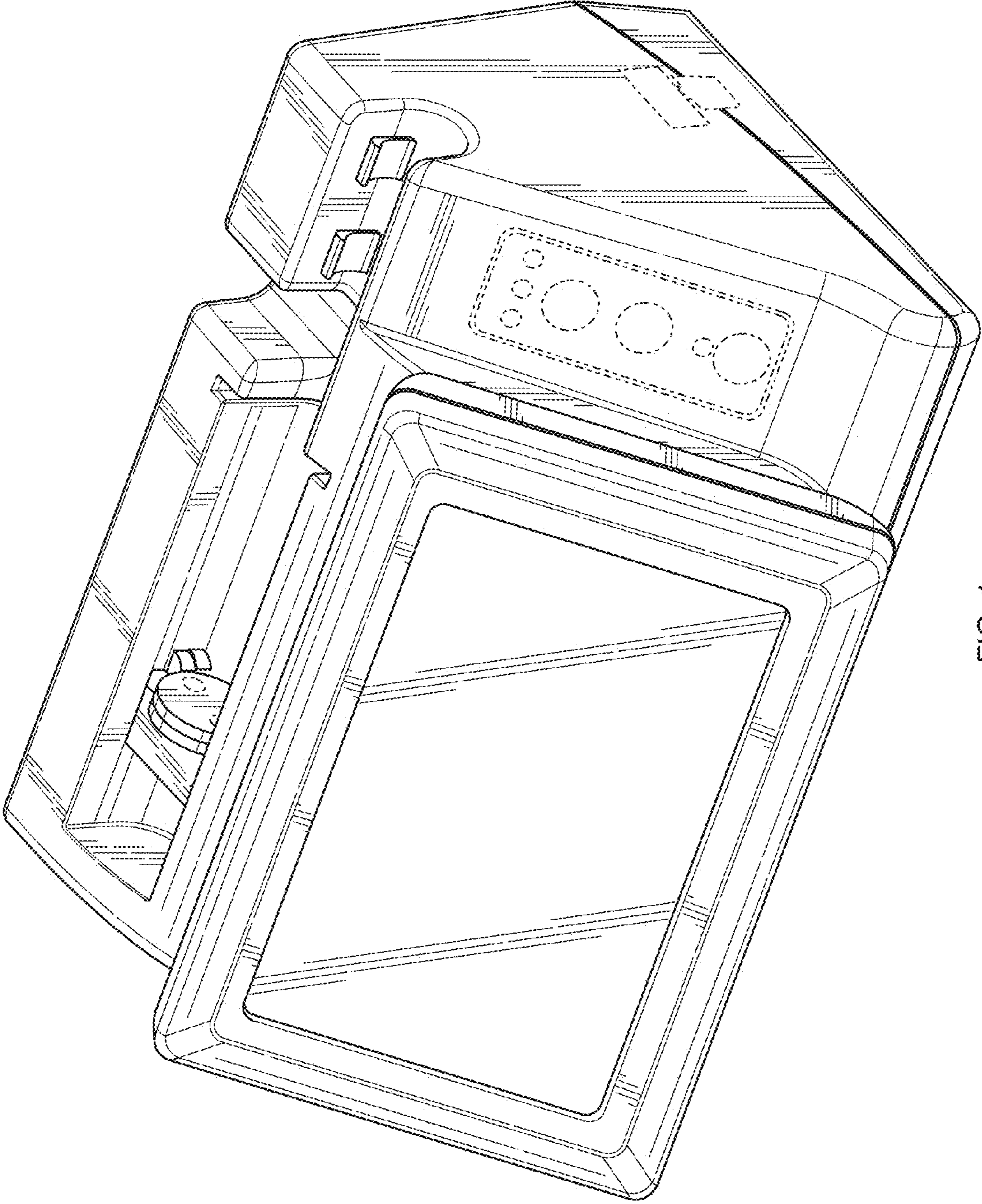


FIG. 1

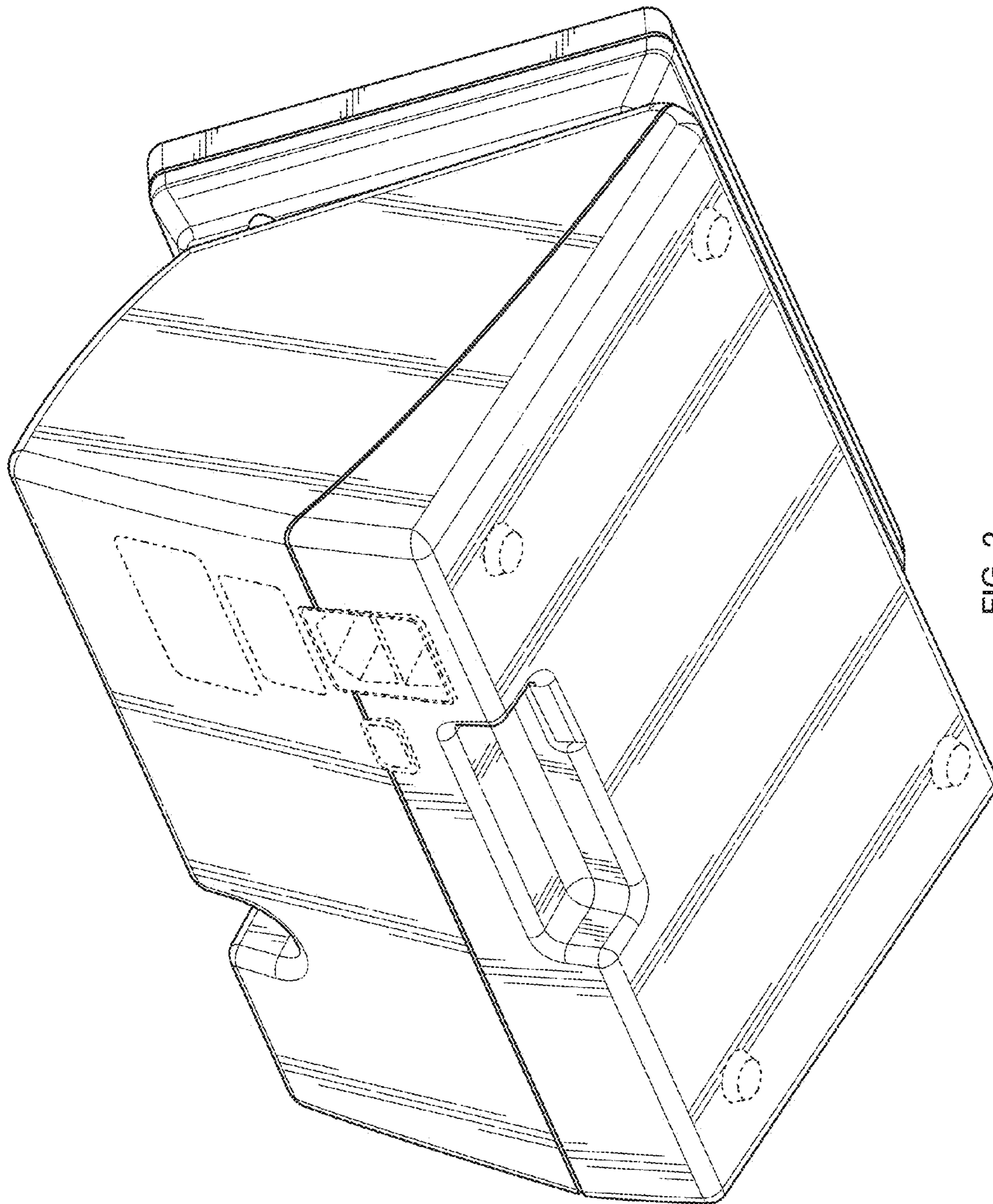


FIG. 2

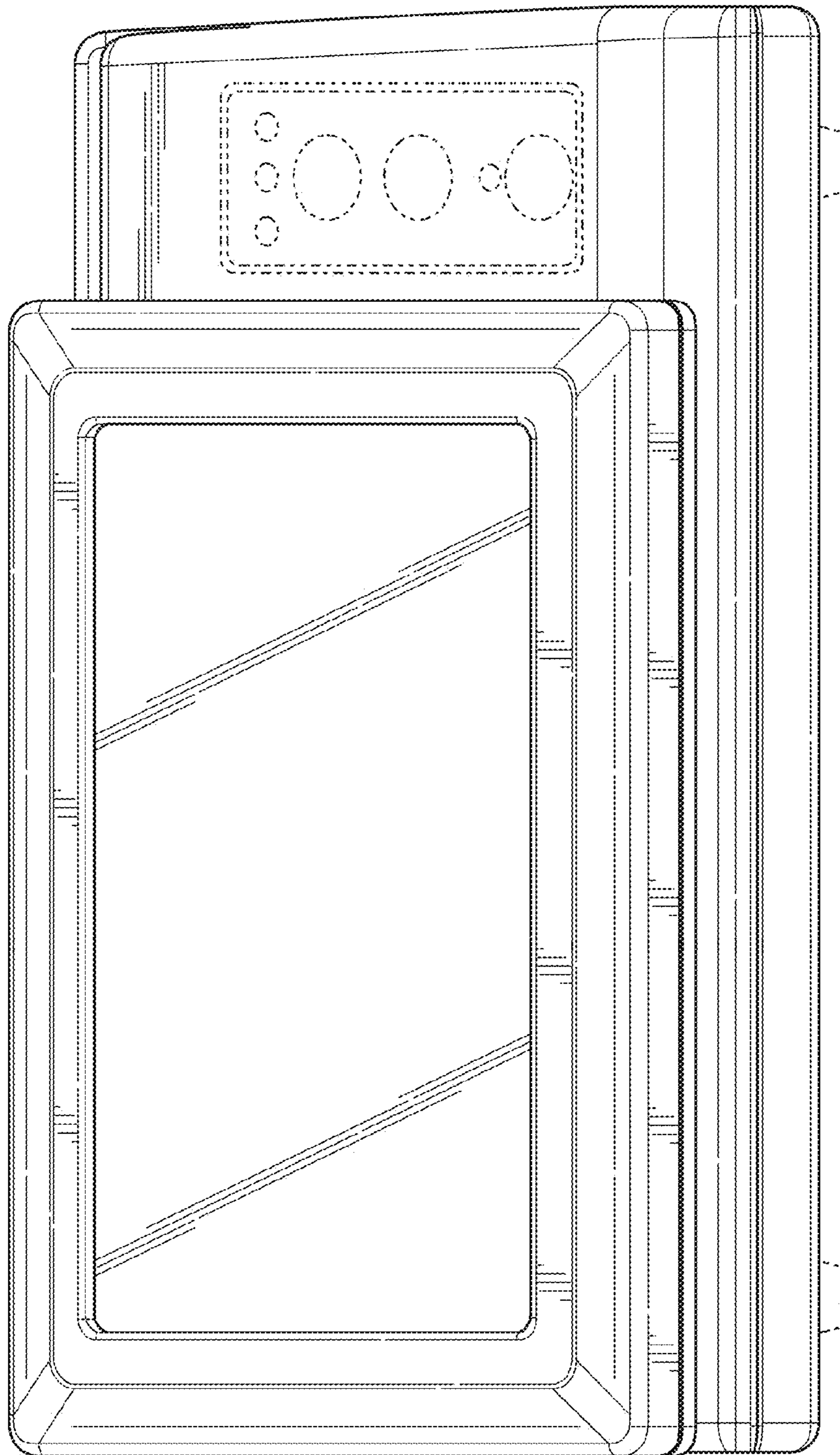


FIG. 3

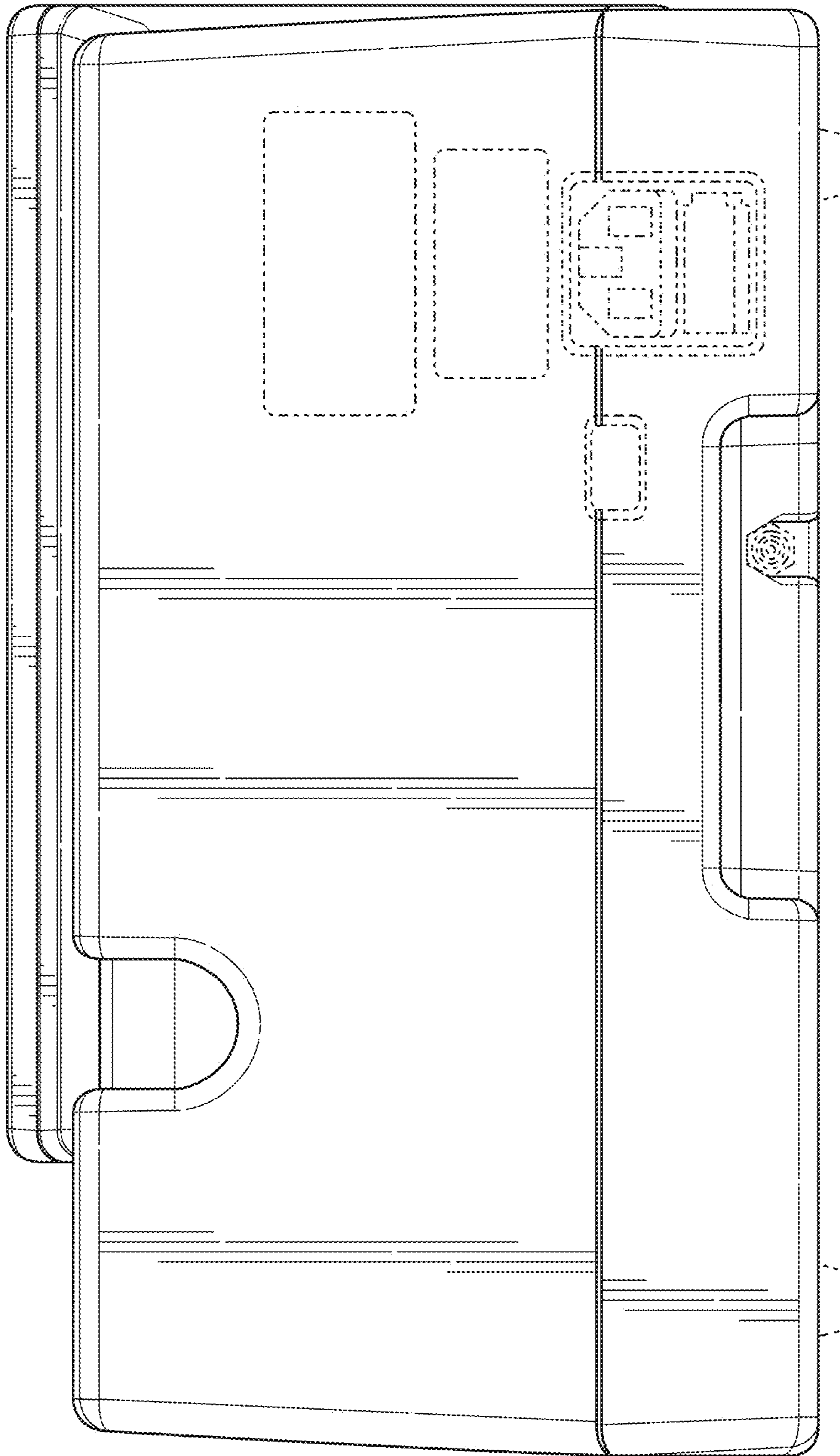


FIG. 4

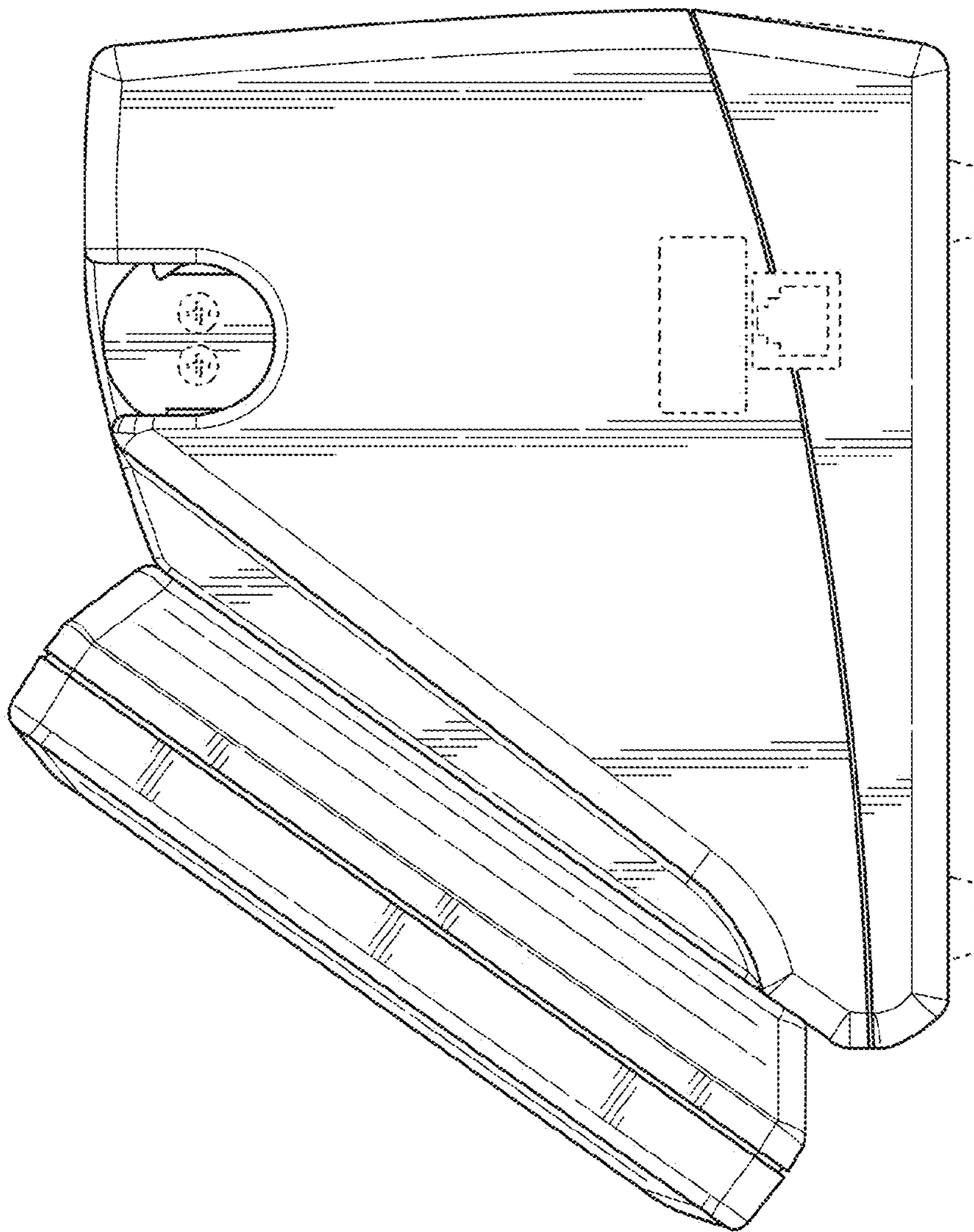


FIG. 5

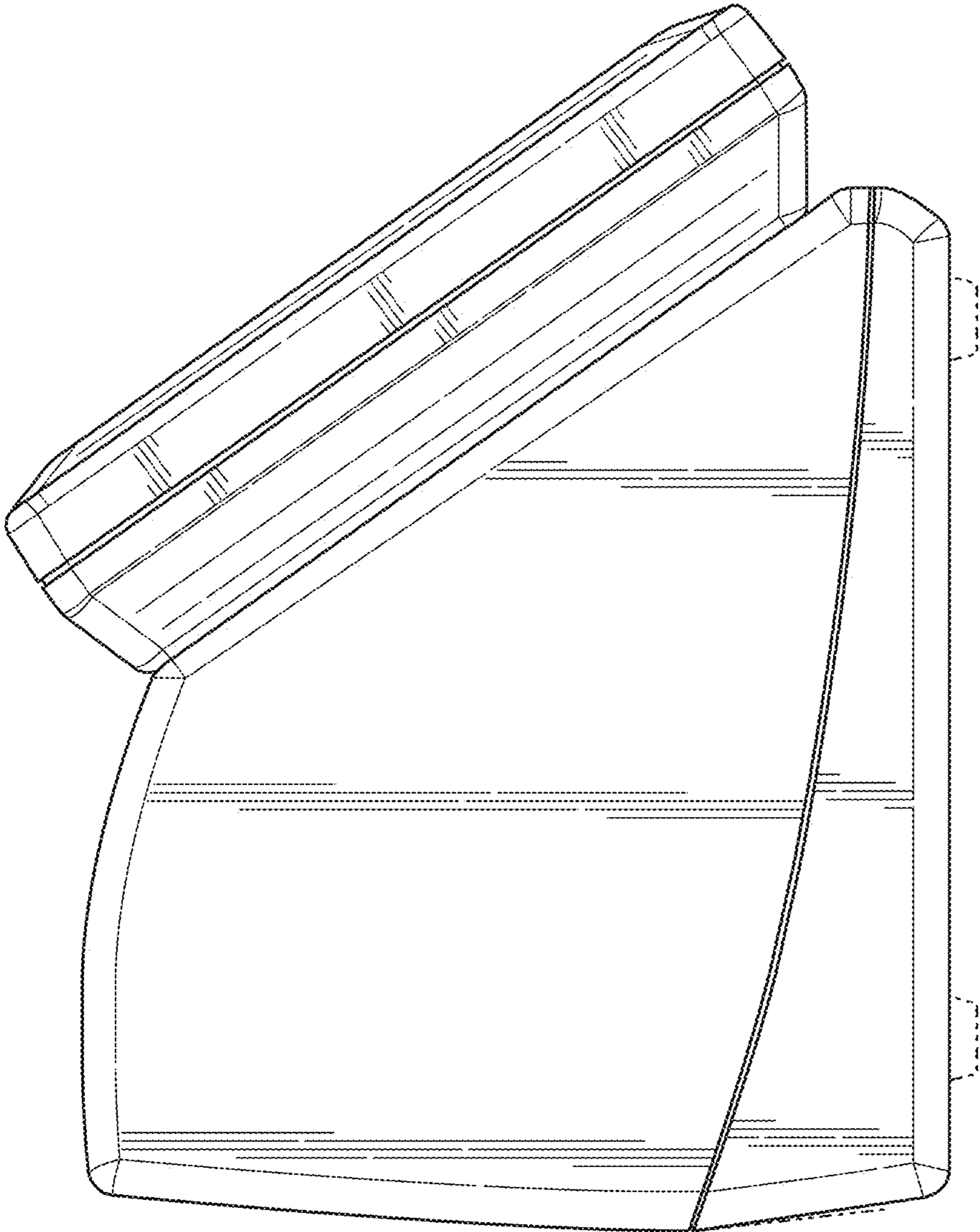


FIG. 6

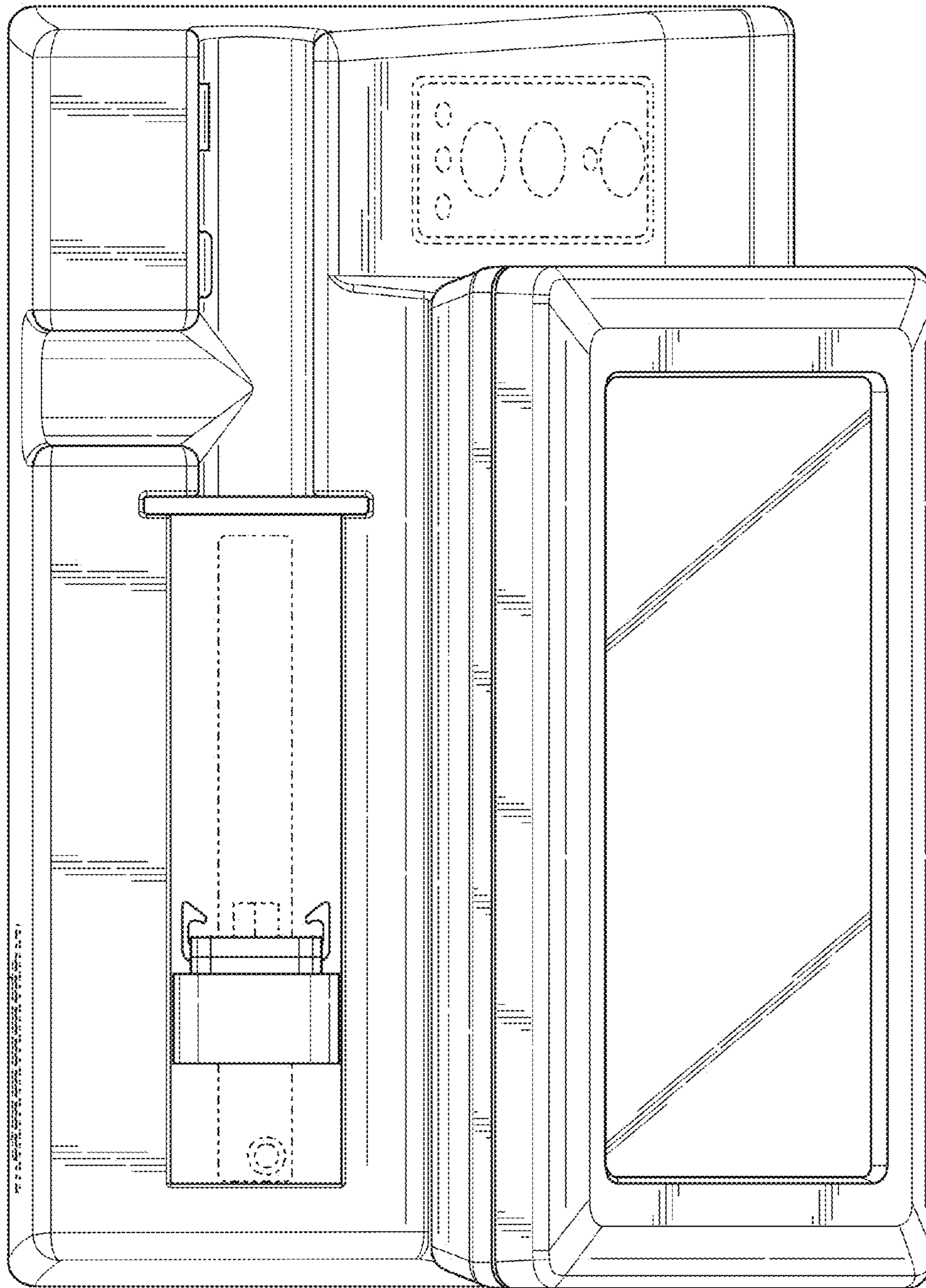


FIG. 7

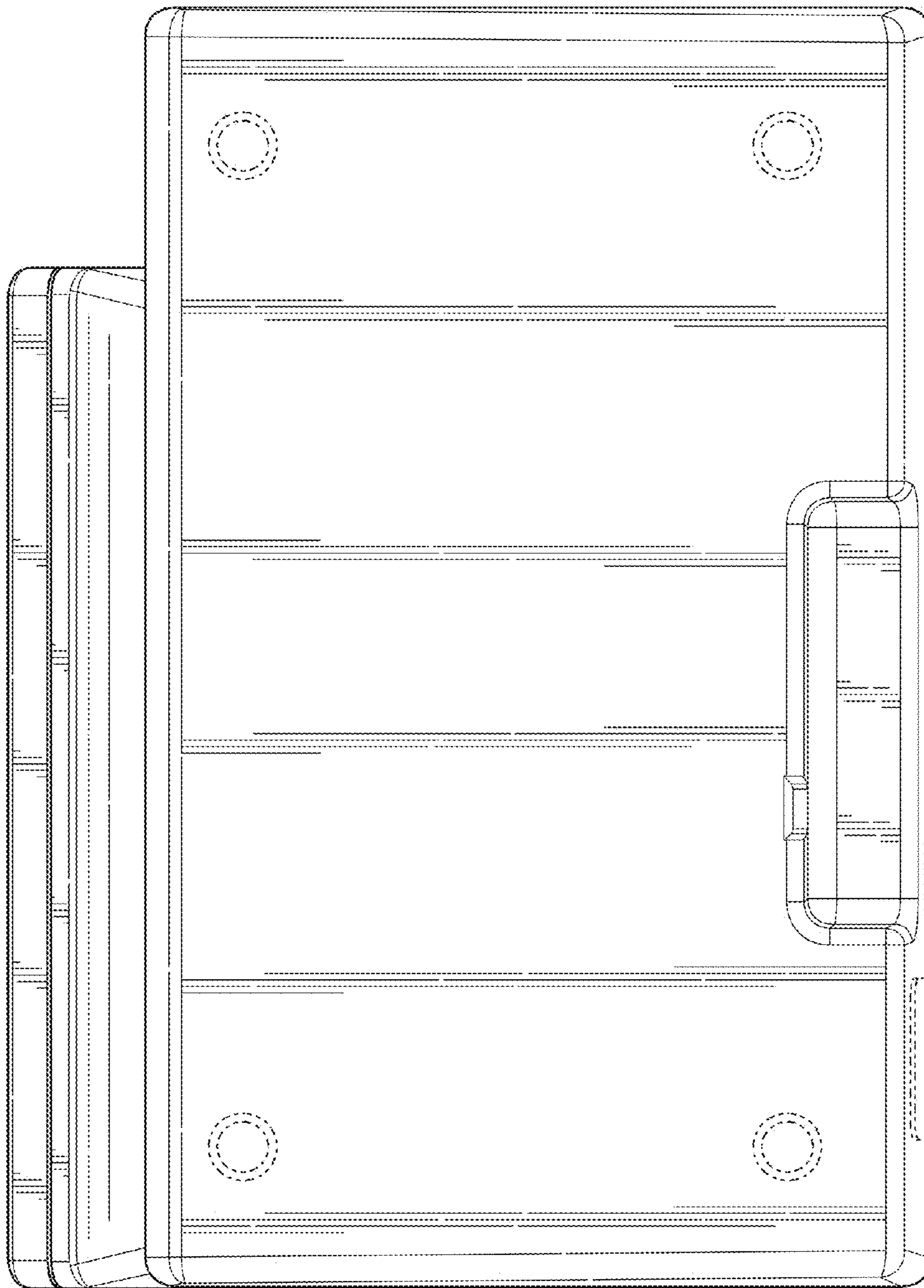


FIG. 8