



US00D765828S

(12) **United States Design Patent** (10) **Patent No.:** **US D765,828 S**
Kane (45) **Date of Patent:** **** Sep. 6, 2016**

(54) **CHEMICAL TABLET**

D692,627 S * 10/2013 Yerton D1/121
D710,566 S * 8/2014 Tebow D1/121
D721,285 S * 1/2015 Saguchi D24/100

(71) Applicant: **Crossford International, LLC**,
Stamford, CT (US)

FOREIGN PATENT DOCUMENTS

(72) Inventor: **Timothy J. Kane**, Greenwich, CT (US)

BX	20508-039	2/1991
BX	20508-045	2/1991
BX	20508-046	2/1991
BX	20508-048	2/1991
BX	20508-047	5/1991
BX	20863-028	5/1991
BX	20863-046	5/1991
BX	20863-047	5/1991
BX	20863-048	5/1991
CA	2461684	4/2003
DE	9318657	11/1995
DE	49808201-0028	4/1999
DE	49808201-0032	4/1999
JP	D1469189	4/2013

(73) Assignee: **Crossford International, LLC**,
Stamford, CT (US)

(**) Term: **14 Years**

(21) Appl. No.: **29/518,032**

(22) Filed: **Feb. 19, 2015**

(51) **LOC (10) Cl.** **24-01**

(52) **U.S. Cl.**
USPC **D24/101**

(58) **Field of Classification Search**
USPC D24/100-104; D1/100, 121
CPC A61K 9/20; A61K 9/209; A61K 9/2077;
A61K 9/5078; A61K 9/4891; A61K 9/167;
A61K 9/2072; A61K 9/2081; A61K 9/2086;
A61K 8/11

See application file for complete search history.

* cited by examiner

Primary Examiner — Charles Hanson
(74) *Attorney, Agent, or Firm* — Carson C. K. Fincham;
Fincham Downs, LLC

(56) **References Cited**

U.S. PATENT DOCUMENTS

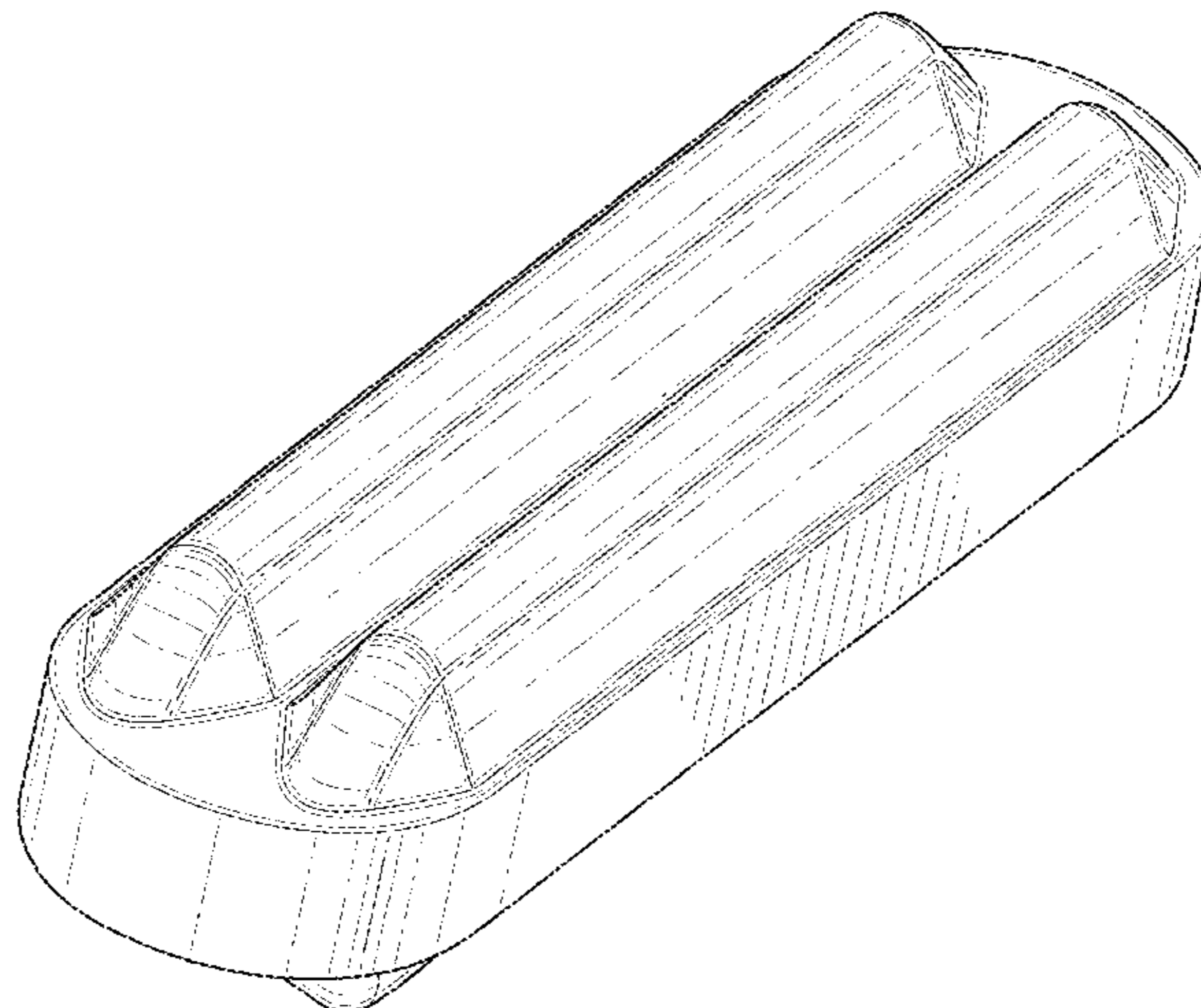
44,342 A *	9/1864	Sawyer	C10F 7/06 44/491
D258,091 S *	1/1981	Reed	D1/122
D283,649 S	4/1986	Casberg		
4,792,448 A	12/1988	Ranade		
D309,505 S	7/1990	Colton		
D325,619 S	4/1992	Casberg		
D334,968 S	4/1993	Gladfelter et al.		
D335,704 S	5/1993	Casberg		
D339,863 S	9/1993	Robertson		
5,352,455 A	10/1994	Robertson		
D575,477 S *	8/2008	Eitler	D1/121
7,713,549 B2	5/2010	Kim		

(57) **CLAIM**
The ornamental design for a chemical tablet, as shown and described.

DESCRIPTION

FIG. 1 is a top-front, right side perspective view of a chemical tablet according to the new design;
FIG. 2 is a front view thereof;
FIG. 3 is a rear view thereof;
FIG. 4 is a top view thereof;
FIG. 5 is a bottom view thereof;
FIG. 6 is a left side view thereof; and,
FIG. 7 is a right side view thereof.

1 Claim, 4 Drawing Sheets



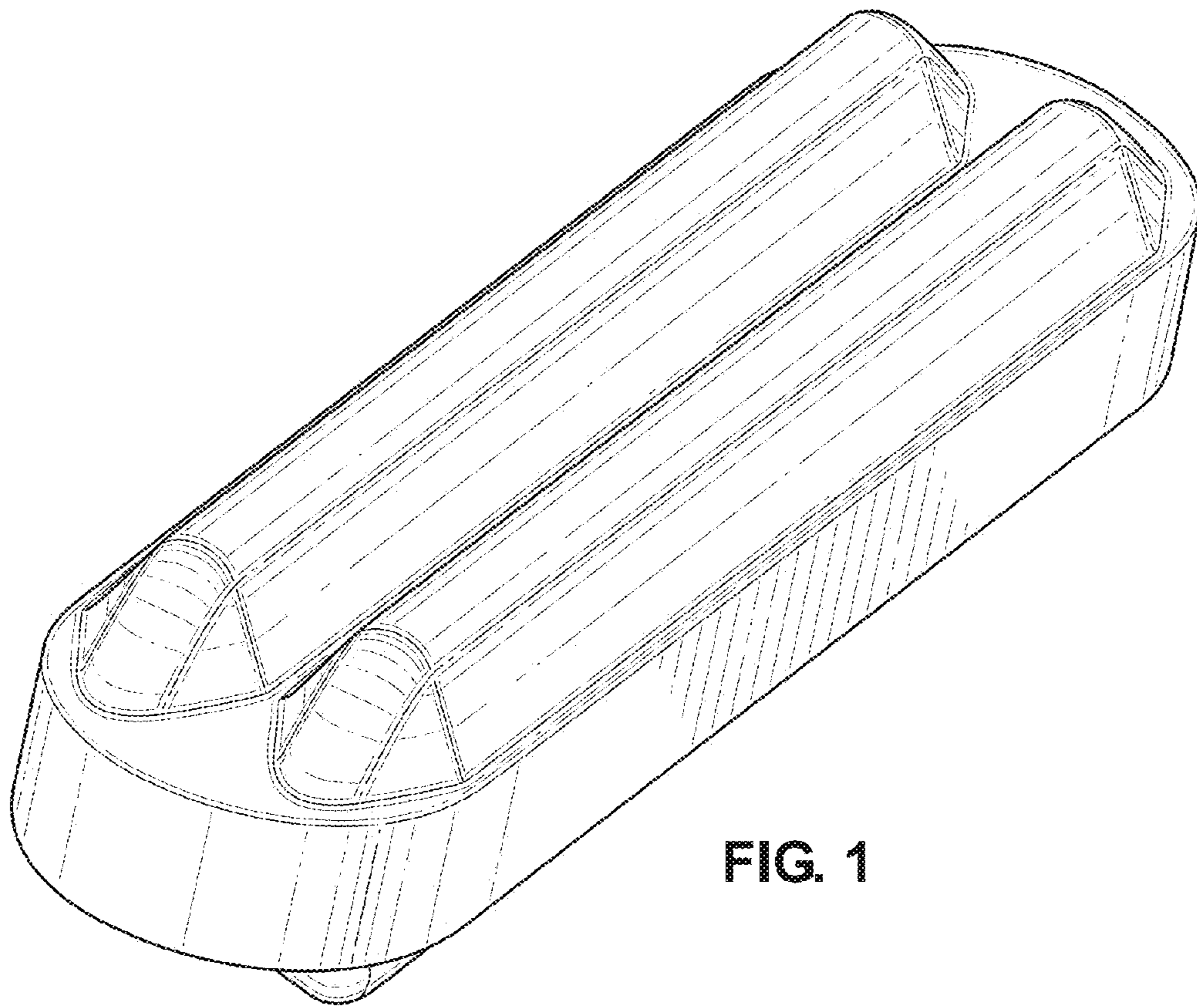


FIG. 1

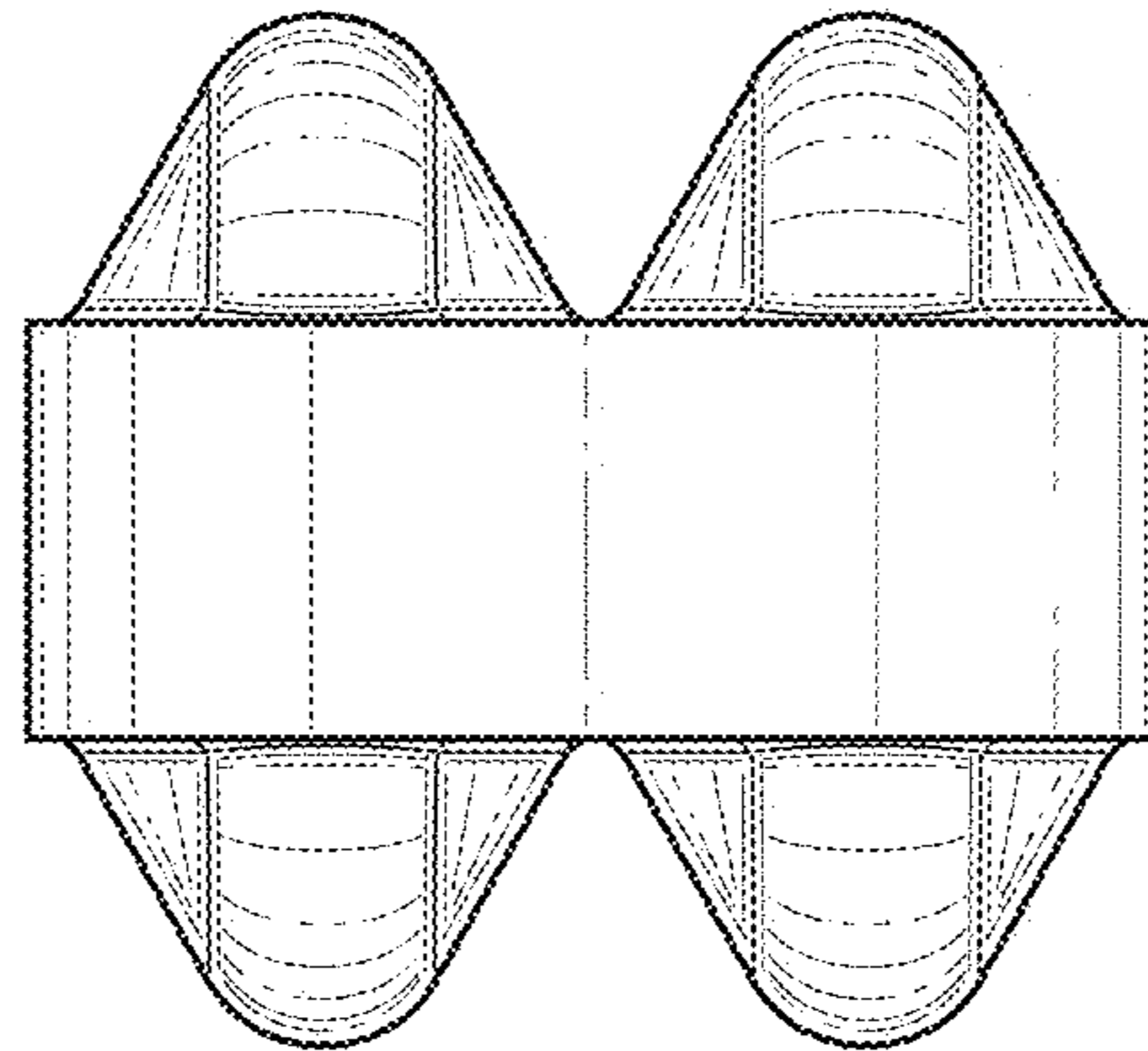


FIG. 2

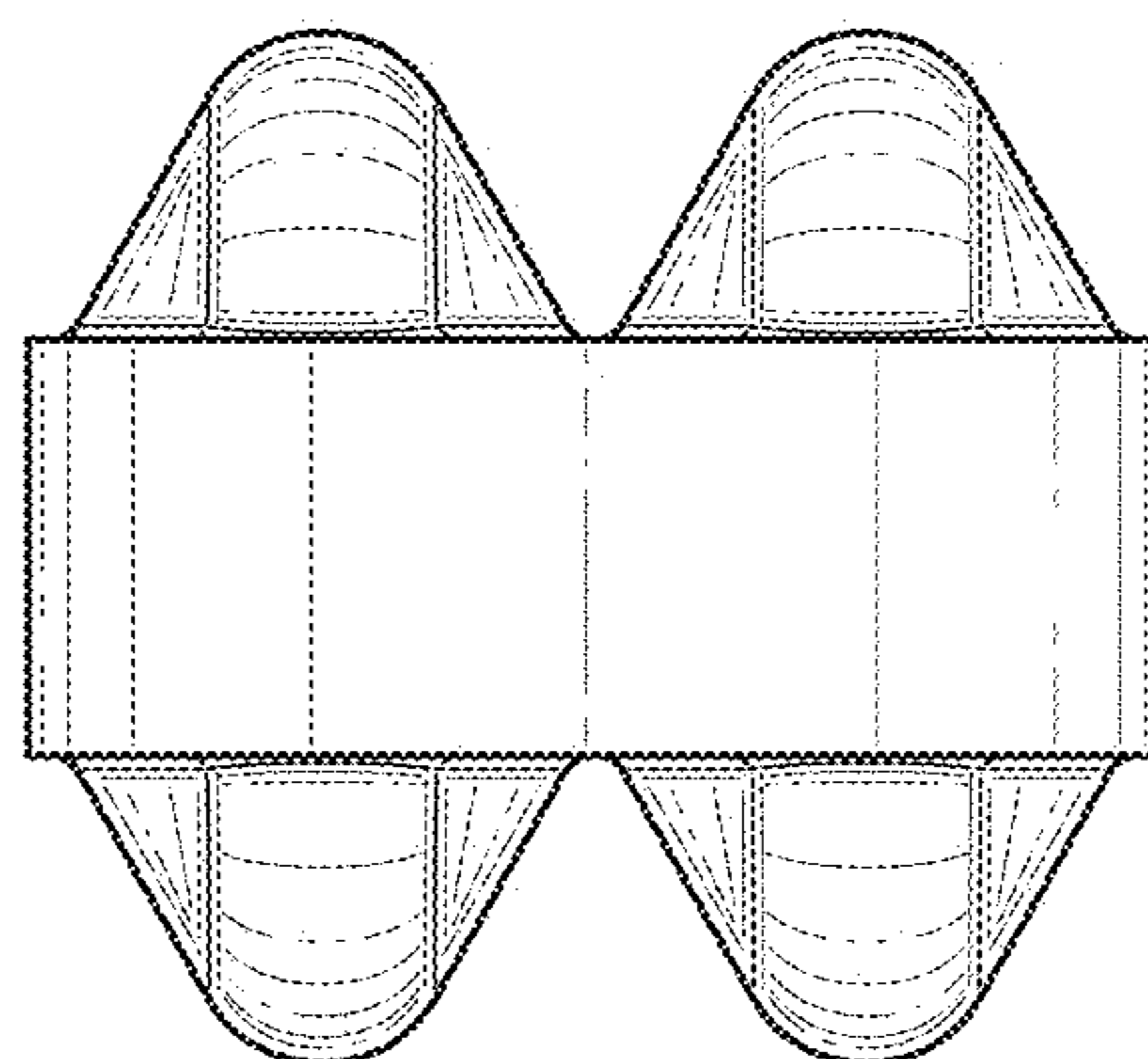


FIG. 3

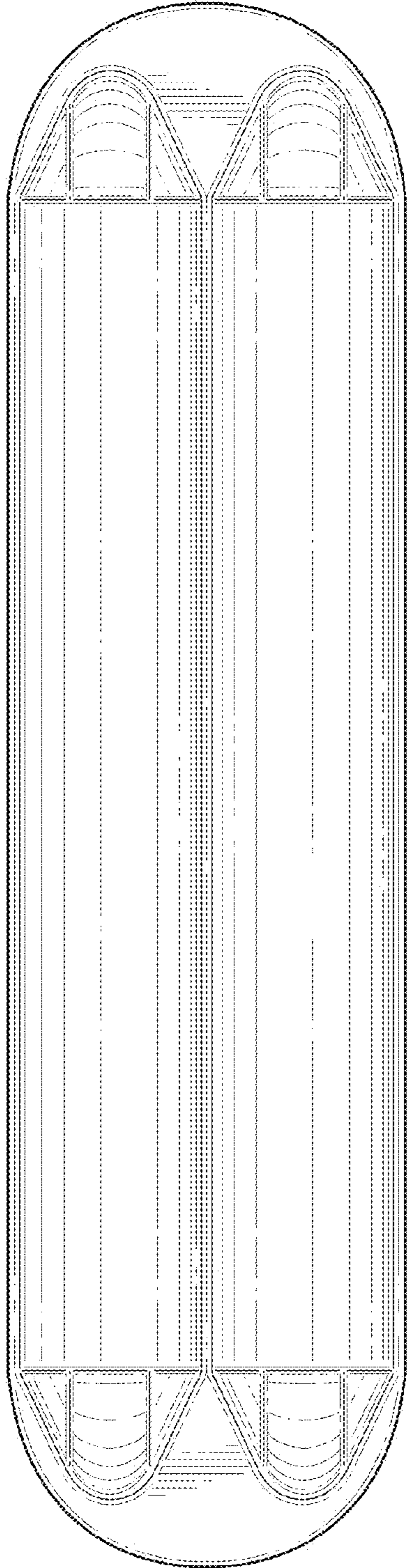


FIG. 4

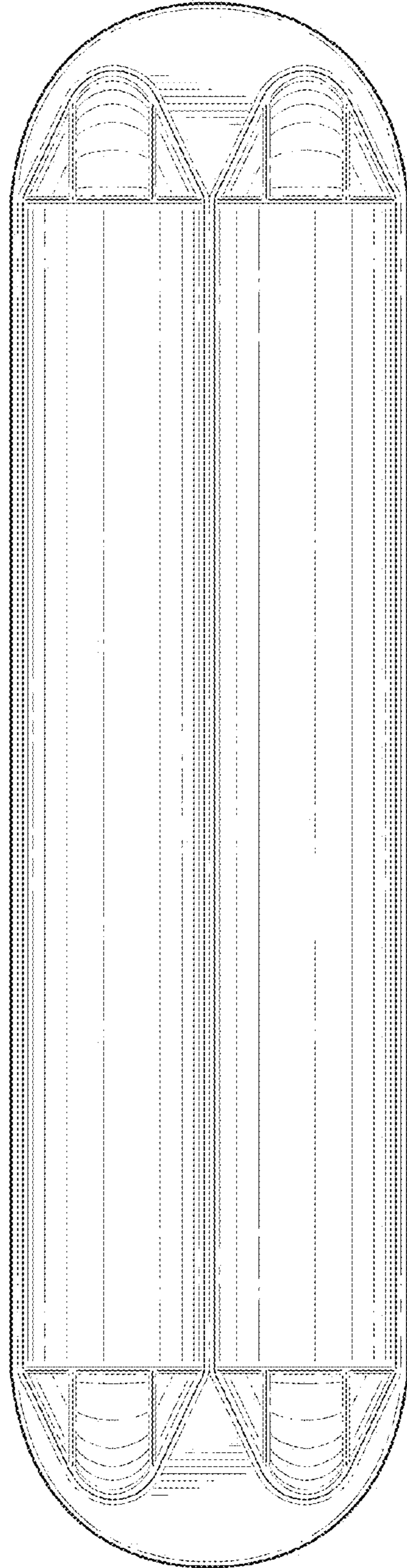


FIG. 5

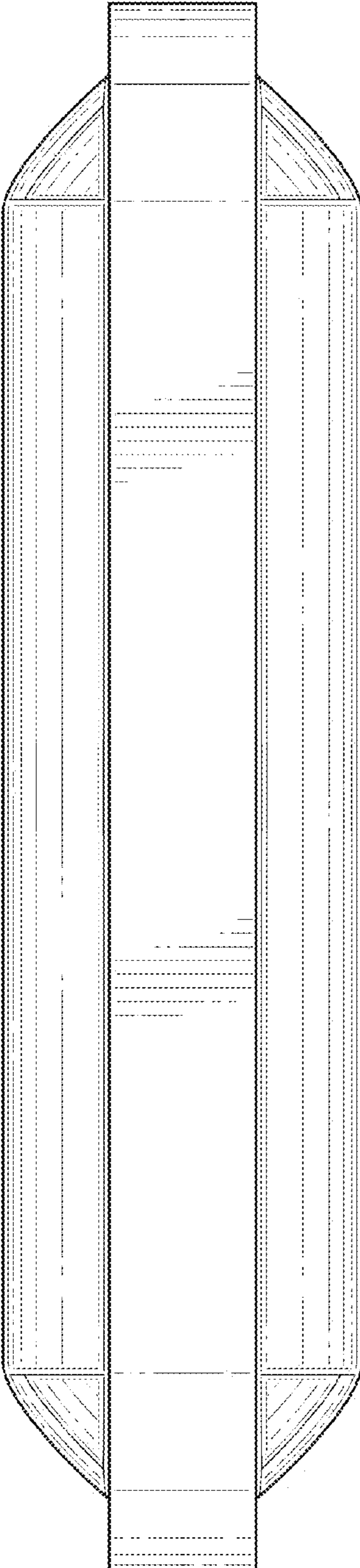


FIG. 6

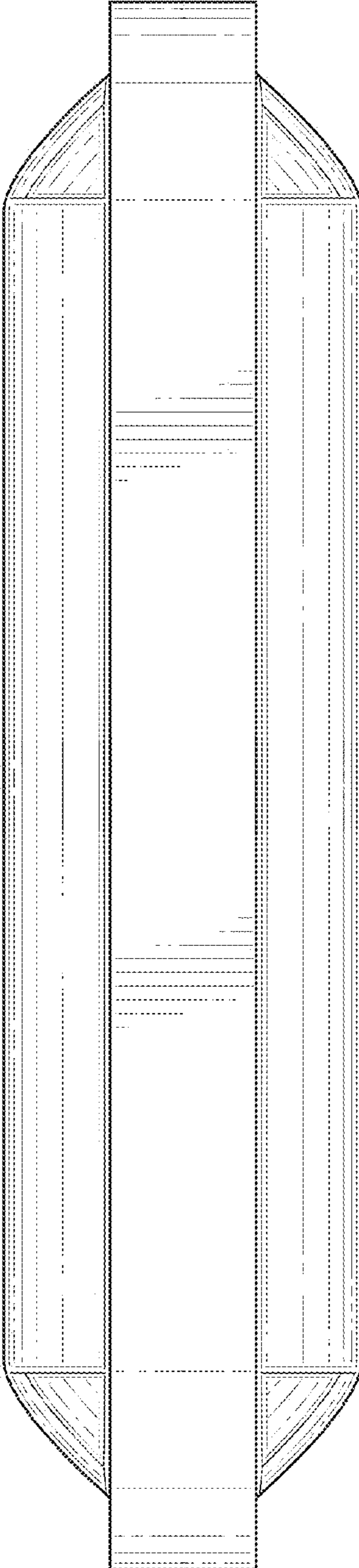


FIG. 7