

US00D765826S

(12) **United States Design Patent** (10) **Patent No.:** **US D765,826 S**  
**Harris** (45) **Date of Patent:** **\*\* Sep. 6, 2016**

(54) **HEATING, VENTILATION AND AIR-CONDITIONING UNIT**  
(71) Applicant: **Fusion HVAC Pty Limited**, West End, Queensland (AU)  
(72) Inventor: **Kevin Harris**, West End (AU)  
(73) Assignee: **Fusion HVAC Pty Limited**, Queensland (AU)  
(\*\*) Term: **14 Years**  
(21) Appl. No.: **29/498,606**  
(22) Filed: **Aug. 5, 2014**

D463,524 S \* 9/2002 Ellis ..... D23/209  
D470,216 S \* 2/2003 Gustafson ..... D23/209  
D471,623 S \* 3/2003 Gieseke ..... D23/365  
D475,129 S \* 5/2003 Ward ..... D23/365  
D476,725 S \* 7/2003 Dushek ..... D23/365  
D513,304 S \* 12/2005 Suzuki ..... D23/209  
D612,925 S \* 3/2010 Kameyama ..... D23/393  
D621,915 S \* 8/2010 Fima ..... D23/261  
D637,690 S \* 5/2011 Riedel ..... D23/209  
D646,350 S \* 10/2011 Salvador ..... D23/209  
D652,497 S \* 1/2012 Troxell ..... D23/365  
D658,281 S \* 4/2012 Goemans ..... D23/387  
D694,871 S \* 12/2013 Maholick ..... D23/365  
D721,431 S \* 1/2015 Herbst ..... D23/382  
D724,189 S \* 3/2015 Nielson ..... D23/269  
D739,513 S \* 9/2015 Williams ..... D23/365

(30) **Foreign Application Priority Data**  
Feb. 6, 2014 (AU) ..... 105912014  
(51) **LOC (10) Cl.** ..... **23-04**  
(52) **U.S. Cl.**  
USPC ..... **D23/386**  
(58) **Field of Classification Search**  
USPC ..... D23/385-395, 397, 370-373, 365, 351, D23/354, 399-403, 421, 499; 454/309, 454/275-277, 284, 287-291, 358-363; 52/302.1, 32.07; 285/229, 189, 183, 285/123.1, 15, 114, 110, 424, 197; 165/59; 34/97  
CPC ..... F24F 11/0012; F24F 11/0076  
See application file for complete search history.

**OTHER PUBLICATIONS**

Fusion HVAC Pty Limited website, Modular image, Oct. 8, 2015, <http://fusionhvac.com.au/solutions/modular>.\*

\* cited by examiner

*Primary Examiner* — David Muller  
*Assistant Examiner* — Nathan Johnston  
(74) *Attorney, Agent, or Firm* — Kilpatrick Townsend & Stockton LLP

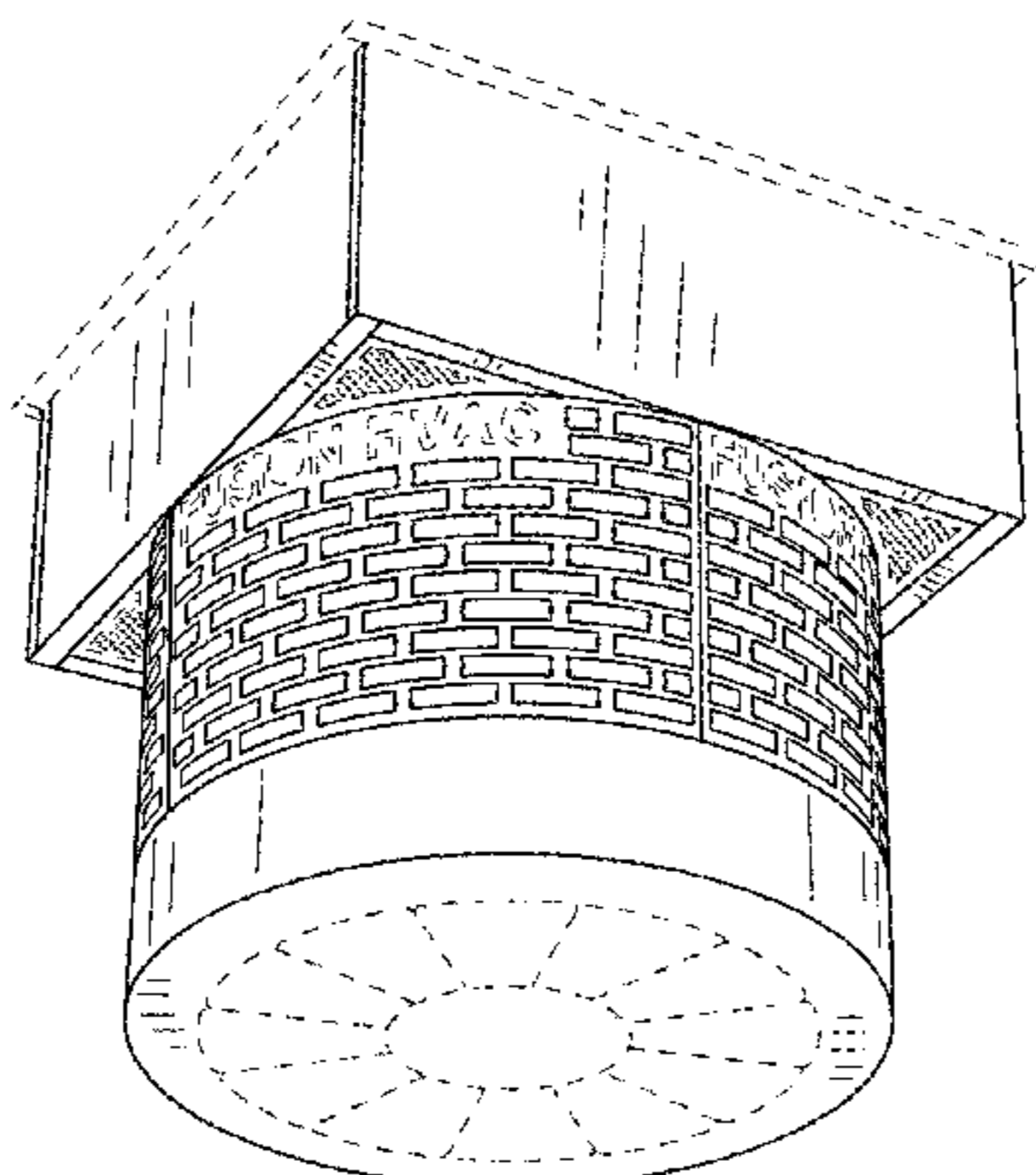
(56) **References Cited**  
**U.S. PATENT DOCUMENTS**  
D207,561 S \* 5/1967 Bedell ..... D23/371  
D274,462 S \* 6/1984 Rakocy ..... D23/365  
D281,272 S \* 11/1985 Lynch, Jr. .... D23/364  
D337,818 S \* 7/1993 Rutherford ..... D23/371  
D376,845 S \* 12/1996 Chen ..... D23/377  
D387,145 S \* 12/1997 Knight ..... D23/354  
D390,910 S \* 2/1998 Sundquist ..... D23/209  
D401,306 S \* 11/1998 Ward ..... D23/209  
D401,687 S \* 11/1998 Pearce ..... D23/411

(57) **CLAIM**  
The ornamental design for the heating, ventilation and air-conditioning unit, as shown and described.

**DESCRIPTION**

FIG. 1 is a front perspective view of the heating, ventilation and air-conditioning unit;  
FIG. 2 is a bottom plan view thereof;  
FIG. 3 is a front elevation view thereof;  
FIG. 4 is a rear elevation view thereof;  
FIG. 5 is a right side elevation view thereof;  
FIG. 6 is a left side elevation view thereof; and,  
FIG. 7 is a top plan view thereof.  
The features shown in broken lines depict environmental subject matter only and form no part of the claimed design.

**1 Claim, 7 Drawing Sheets**



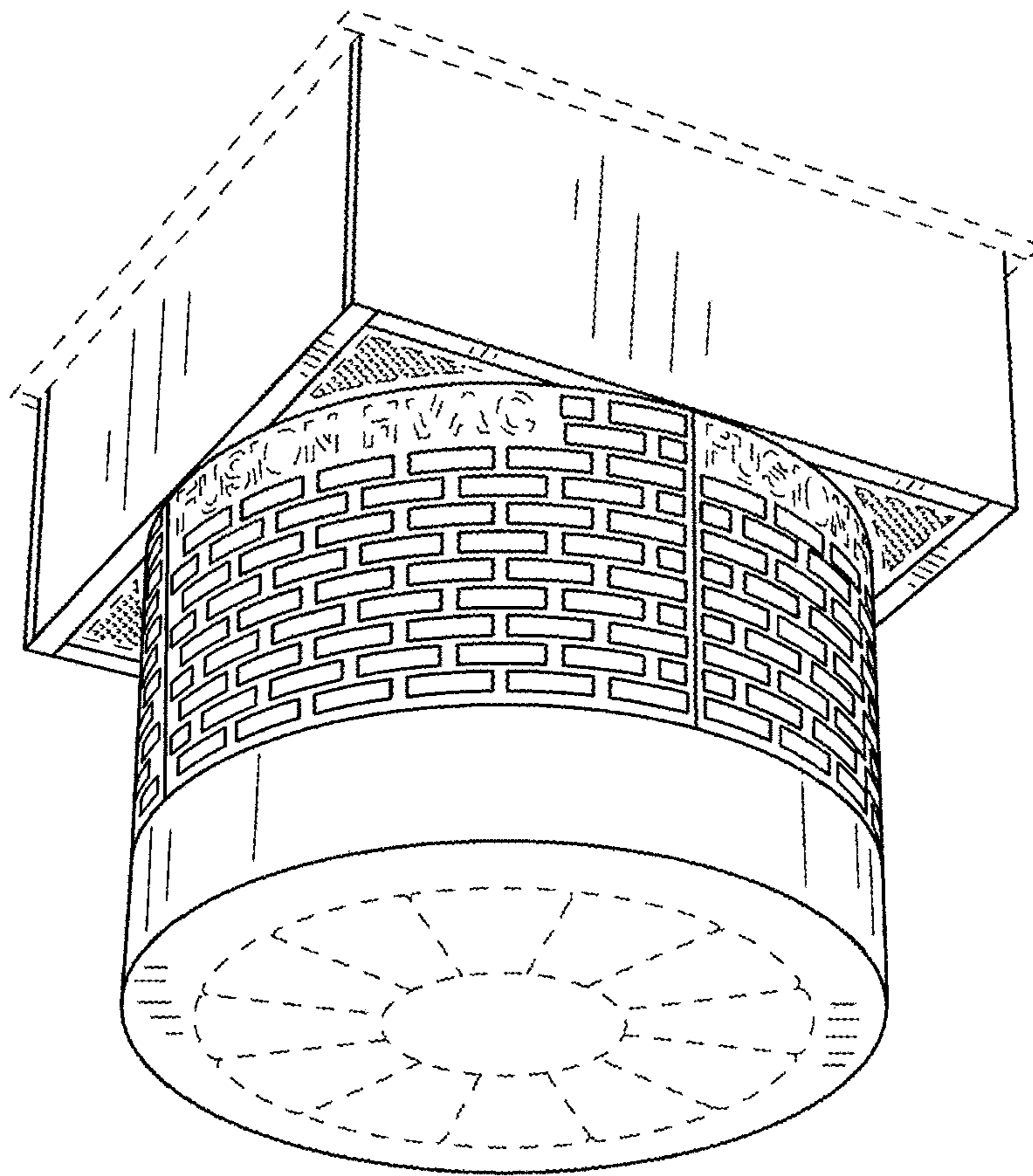


FIG.1

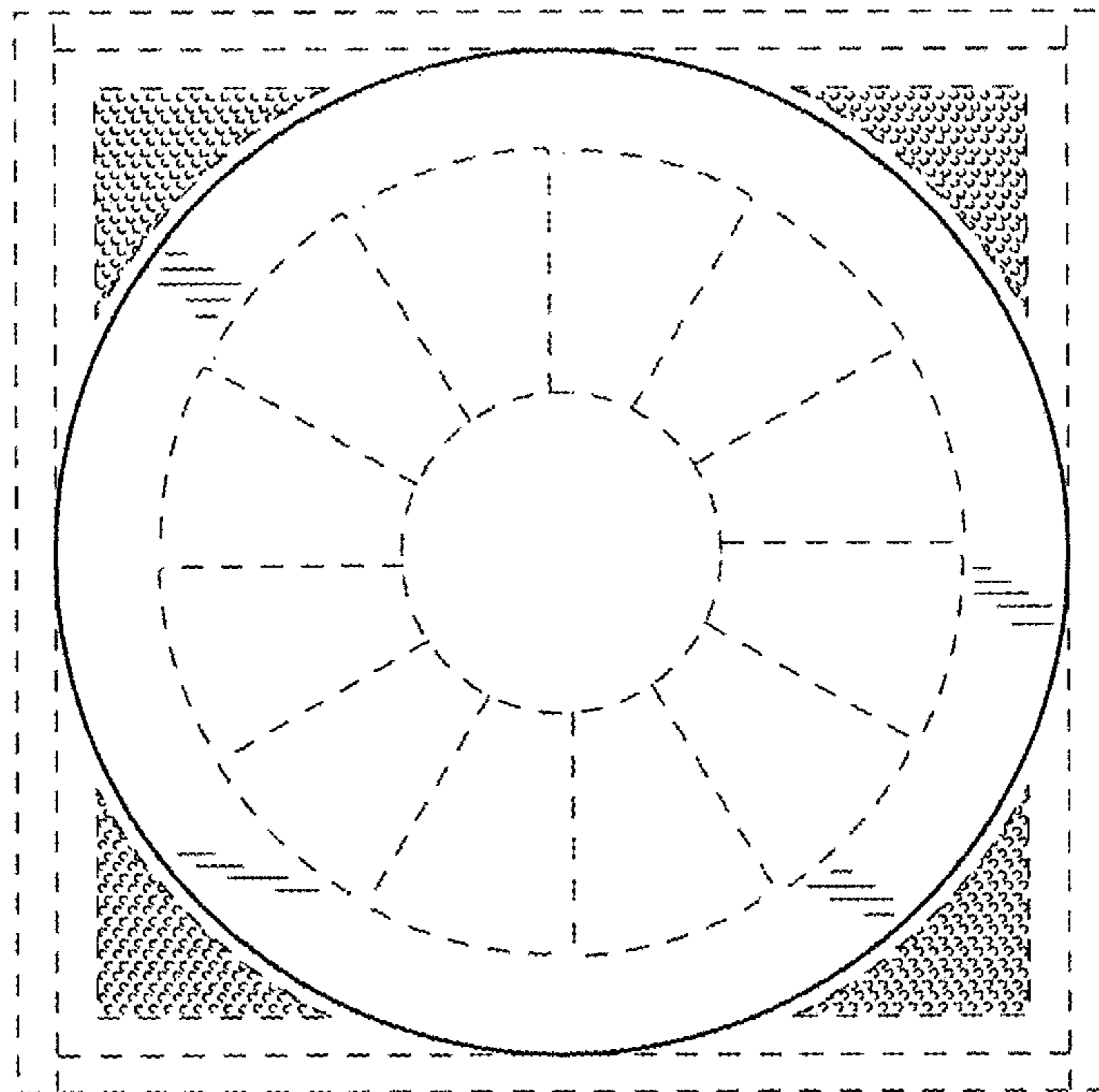


FIG. 2

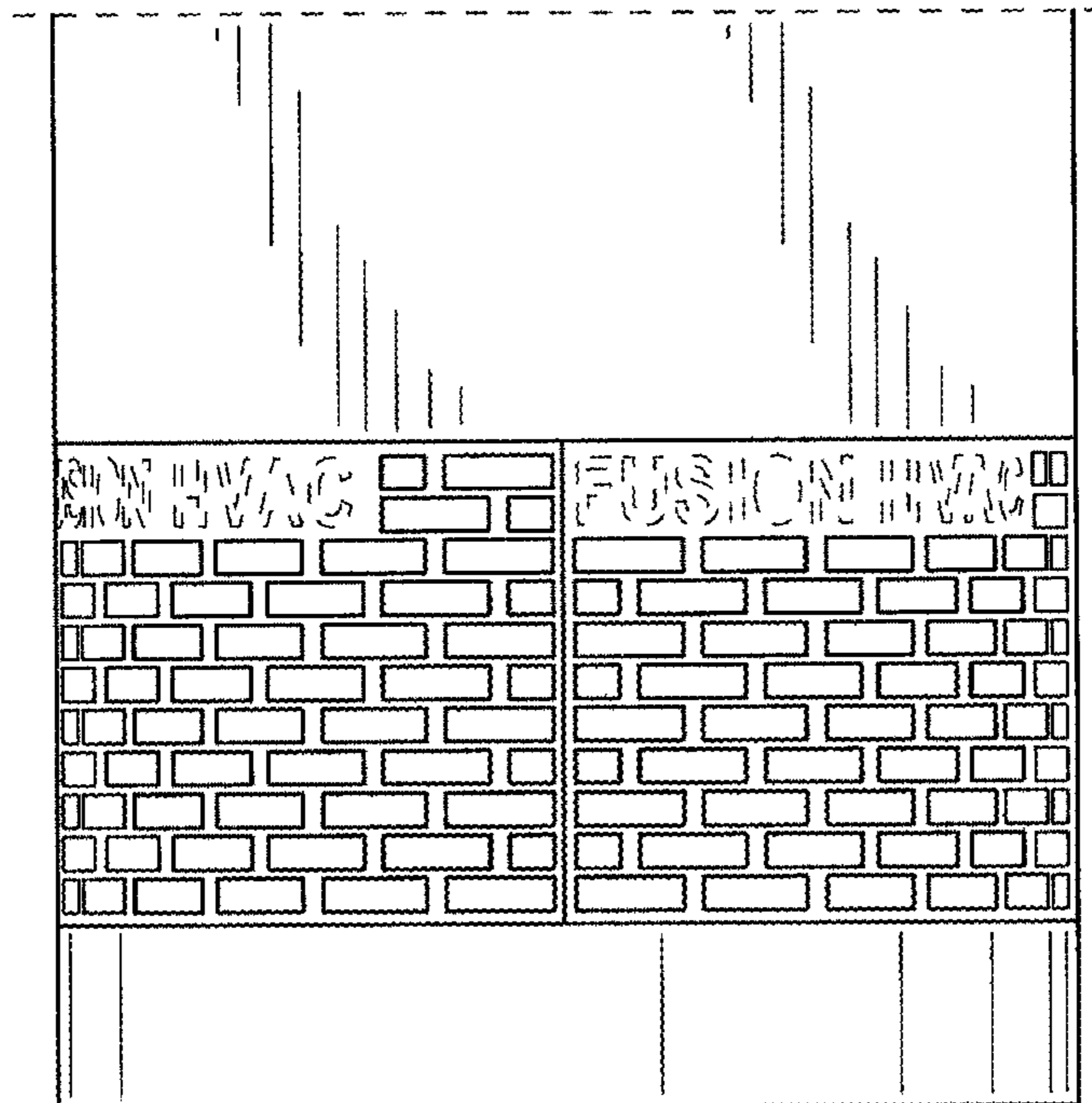


FIG. 3

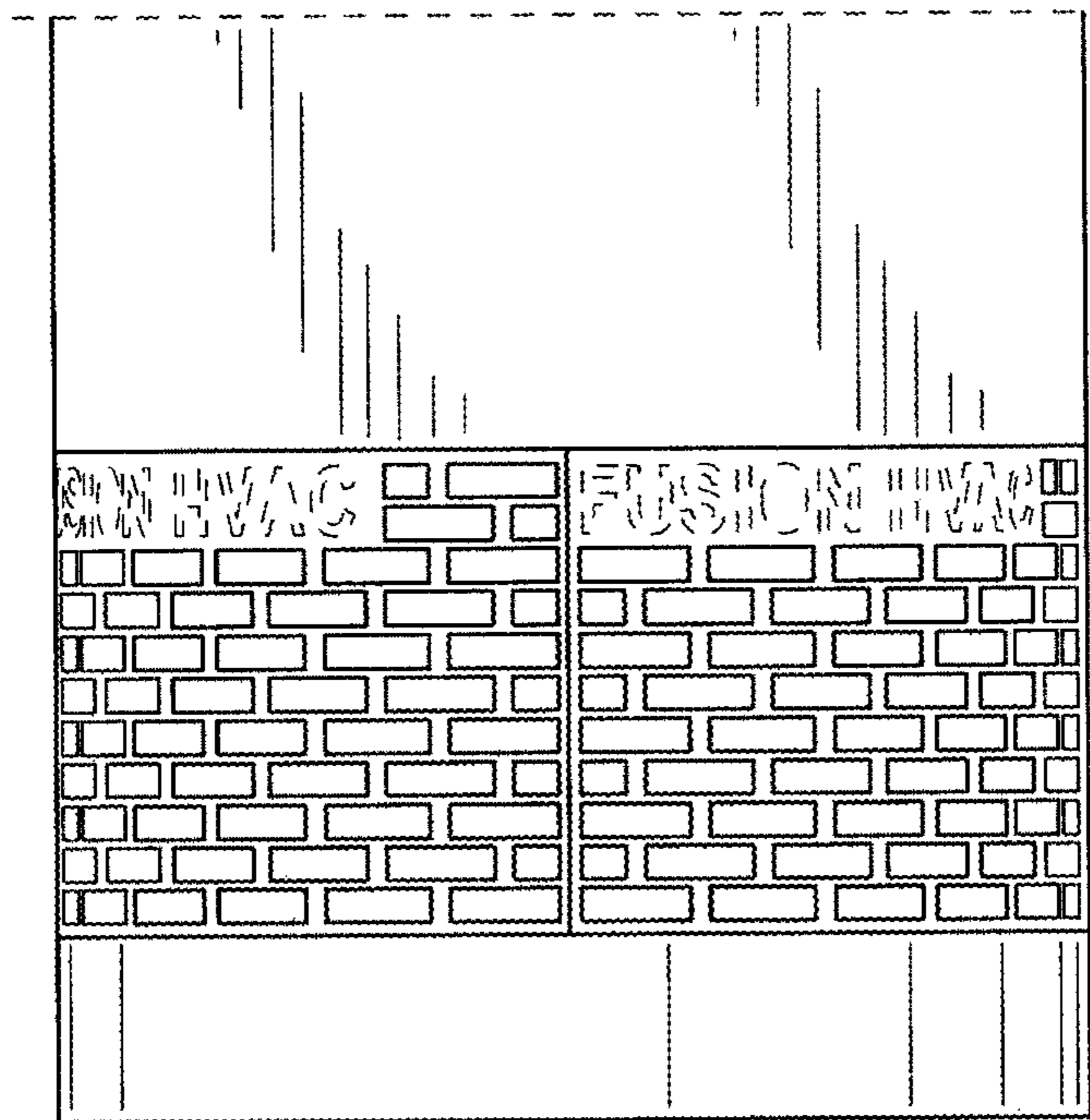


FIG.4

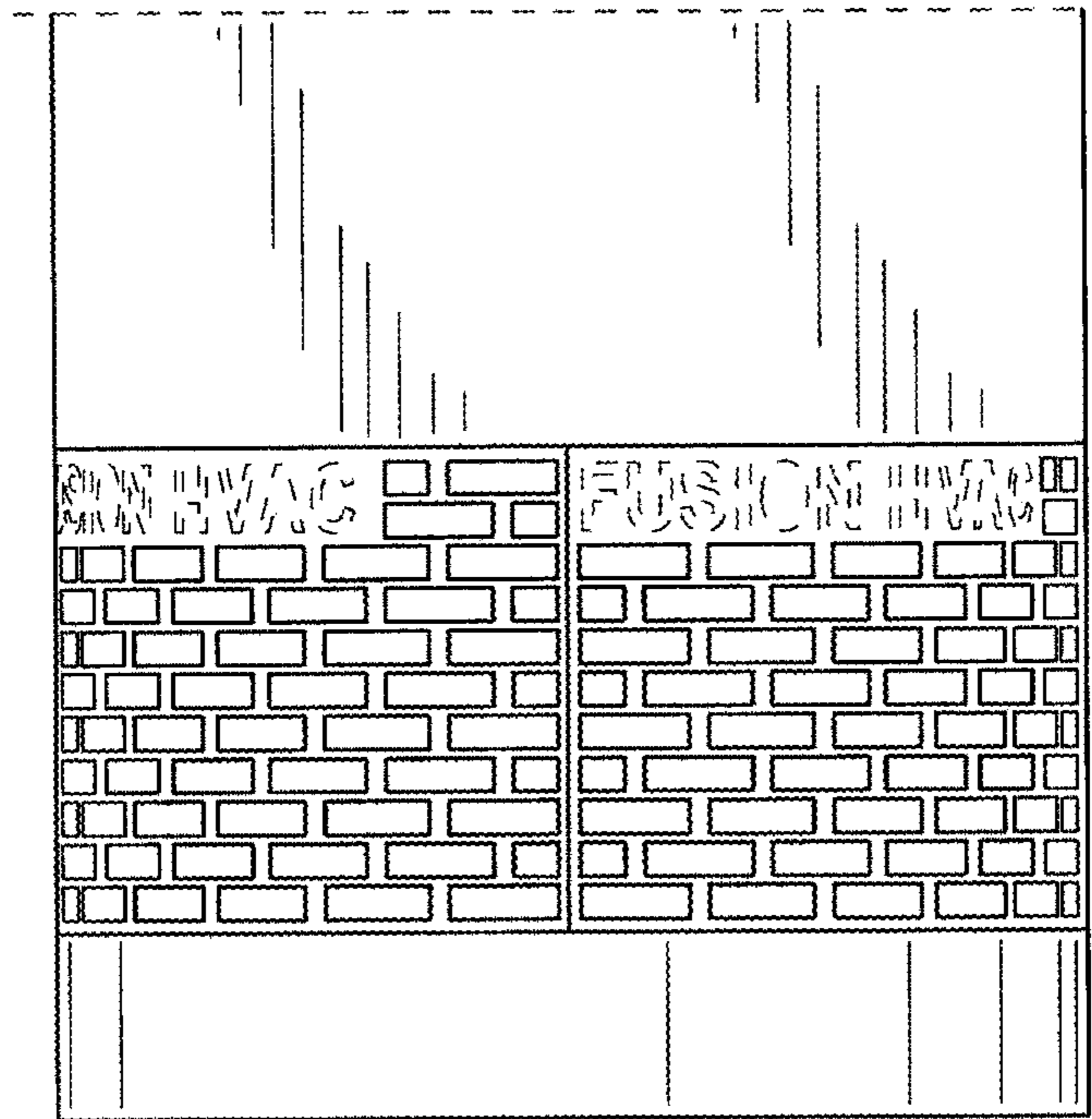


FIG. 5

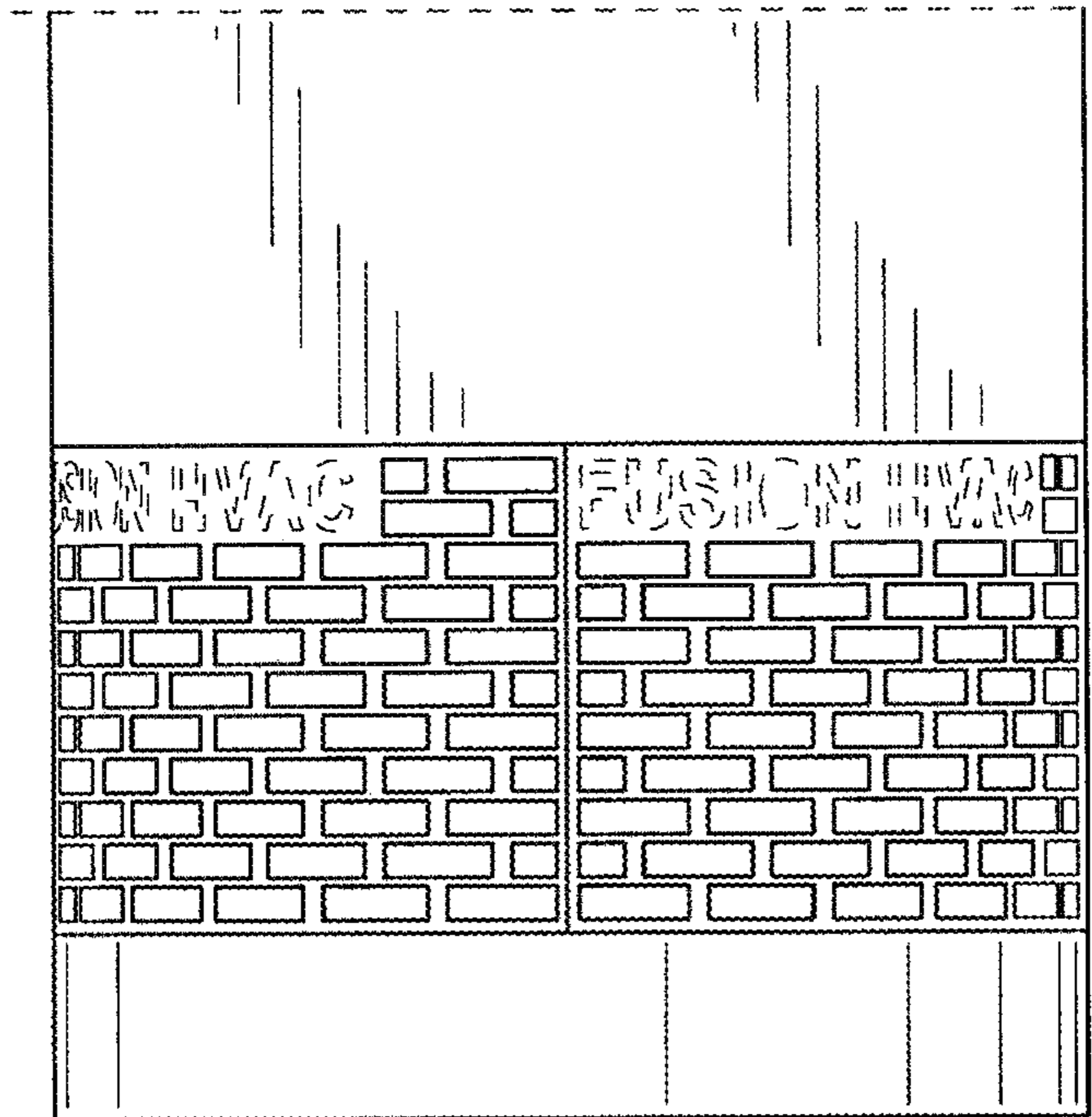


FIG.6

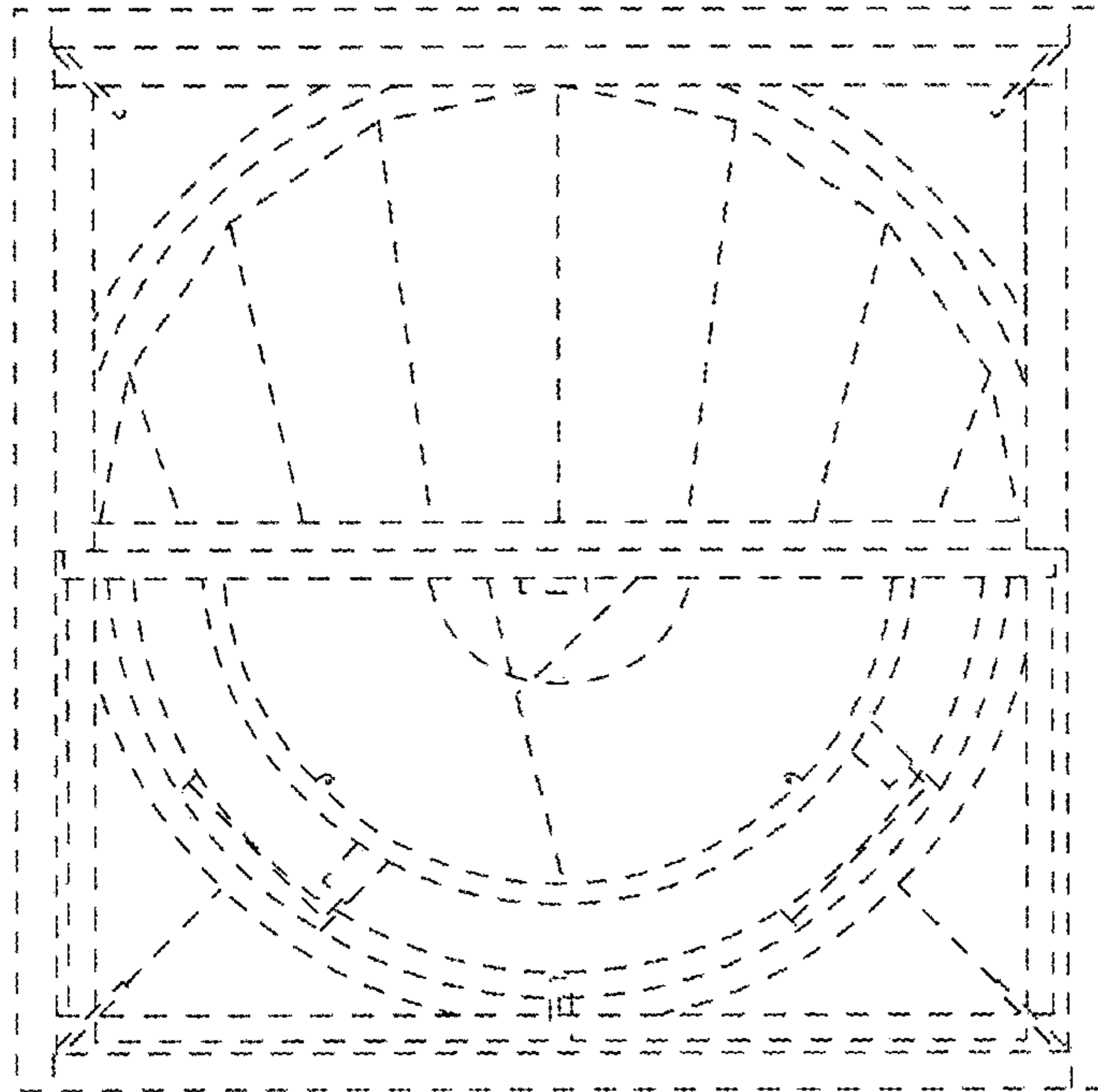


FIG. 7