



US00D765822S

(12) **United States Design Patent**
Stewart

(10) **Patent No.:** **US D765,822 S**
(45) **Date of Patent:** **** Sep. 6, 2016**

- (54) **ROOF WATER DIVERTER**
- (71) Applicant: **Mark Allan Stewart**, Medford, OR
(US)
- (72) Inventor: **Mark Allan Stewart**, Medford, OR
(US)
- (**) Term: **14 Years**
- (21) Appl. No.: **29/525,158**
- (22) Filed: **Apr. 27, 2015**
- (51) **LOC (10) Cl.** **23-01**
- (52) **U.S. Cl.**
USPC **D23/267**
- (58) **Field of Classification Search**
USPC D23/257, 260–263, 267–268; D25/119,
D25/121, 141, 199
CPC E04D 13/064; E04D 13/076; E04D
13/1415; E04D 13/155; E04D 1/30
See application file for complete search history.

- 6,681,530 B1 * 1/2004 Givens E04D 13/1407
108/16
- D555,773 S * 11/2007 Wallace D23/267
- D693,442 S * 11/2013 Stevens D23/260
- 8,650,810 B1 * 2/2014 Dalton E04D 13/064
49/408
- 8,763,310 B2 * 7/2014 Dehart, Sr. E04D 13/0643
52/11
- D725,753 S * 3/2015 Joly, Jr. D23/267
- D756,213 S * 5/2016 Fisher D8/499
- 2005/0115160 A1 * 6/2005 Brochu E04D 13/0481
52/11
- 2007/0068092 A1 * 3/2007 Fraser, Jr. E04D 13/0481
52/97

* cited by examiner

Primary Examiner — Eric Goodman
Assistant Examiner — Amy Wierenga
(74) *Attorney, Agent, or Firm* — Jerry Haynes Law

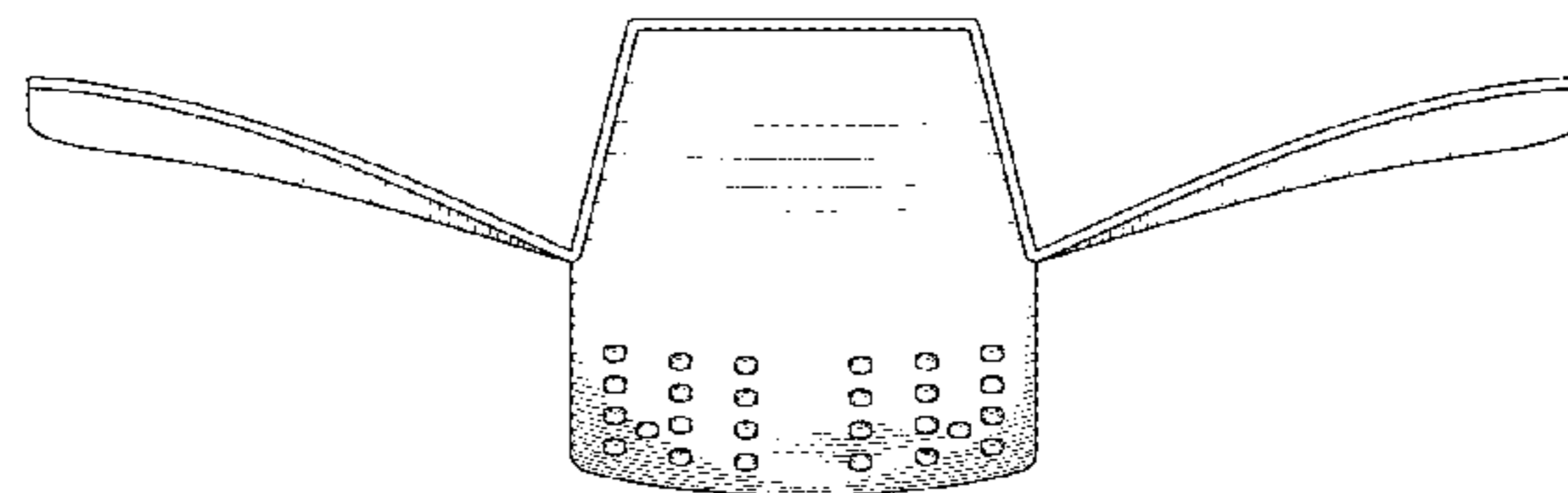
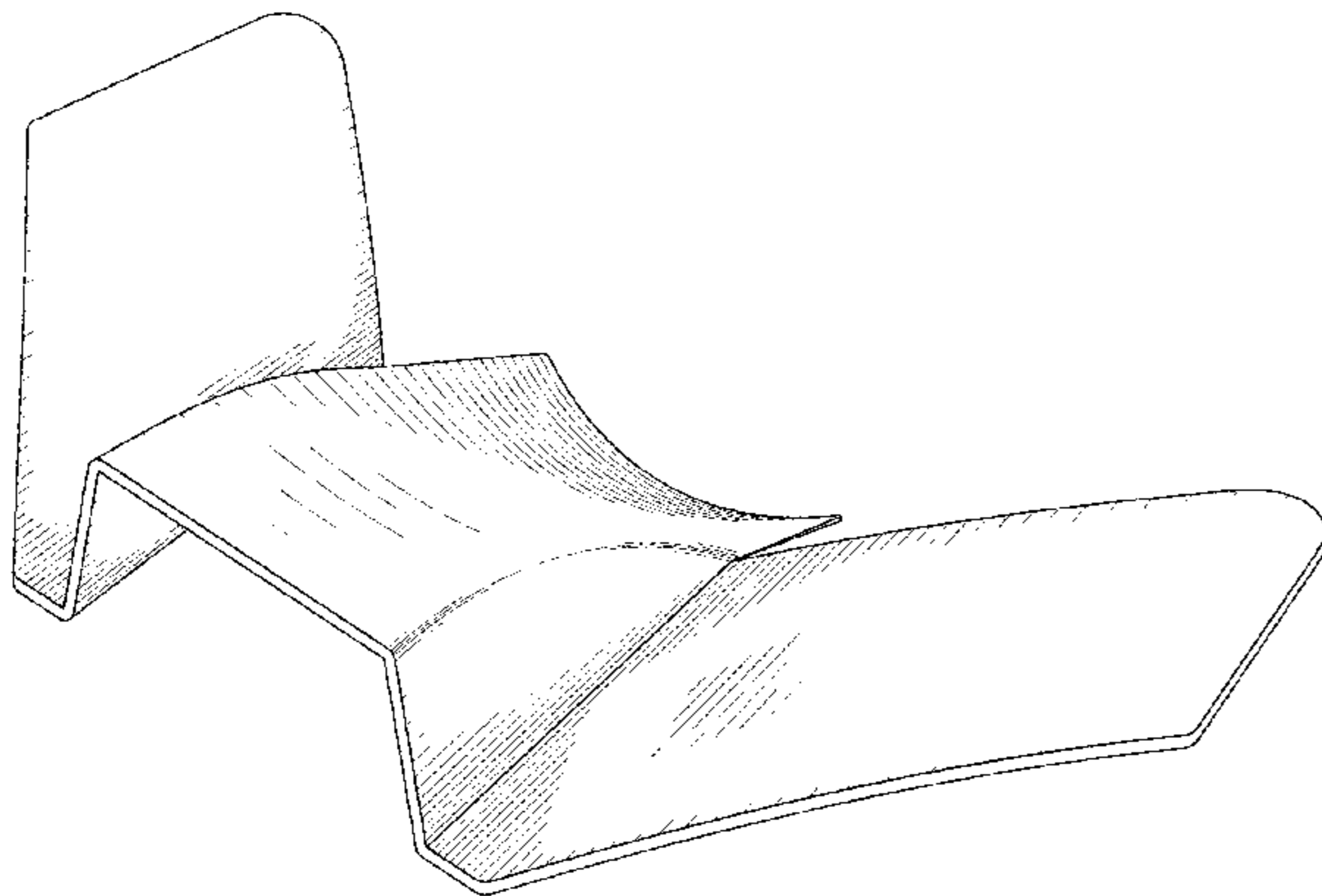
(57) **CLAIM**
The ornamental design for a roof water diverter, as shown and described.

DESCRIPTION

FIG. 1 is a rear perspective view of a roof water diverter, showing my new design;
FIG. 2 is a front view thereof;
FIG. 3 is a rear view thereof;
FIG. 4 is a right side view thereof;
FIG. 5 is a left side view thereof;
FIG. 6 is a top view thereof; and,
FIG. 7 is a bottom view thereof.

1 Claim, 4 Drawing Sheets

- (56) **References Cited**
U.S. PATENT DOCUMENTS
- 4,391,068 A * 7/1983 Kosar E04D 13/04
52/97
- 5,333,419 A * 8/1994 Hickner E04D 13/04
52/13
- 5,673,520 A * 10/1997 Yannucci, III E04D 13/1475
285/42
- 5,675,939 A * 10/1997 Hickner E04D 13/04
52/13



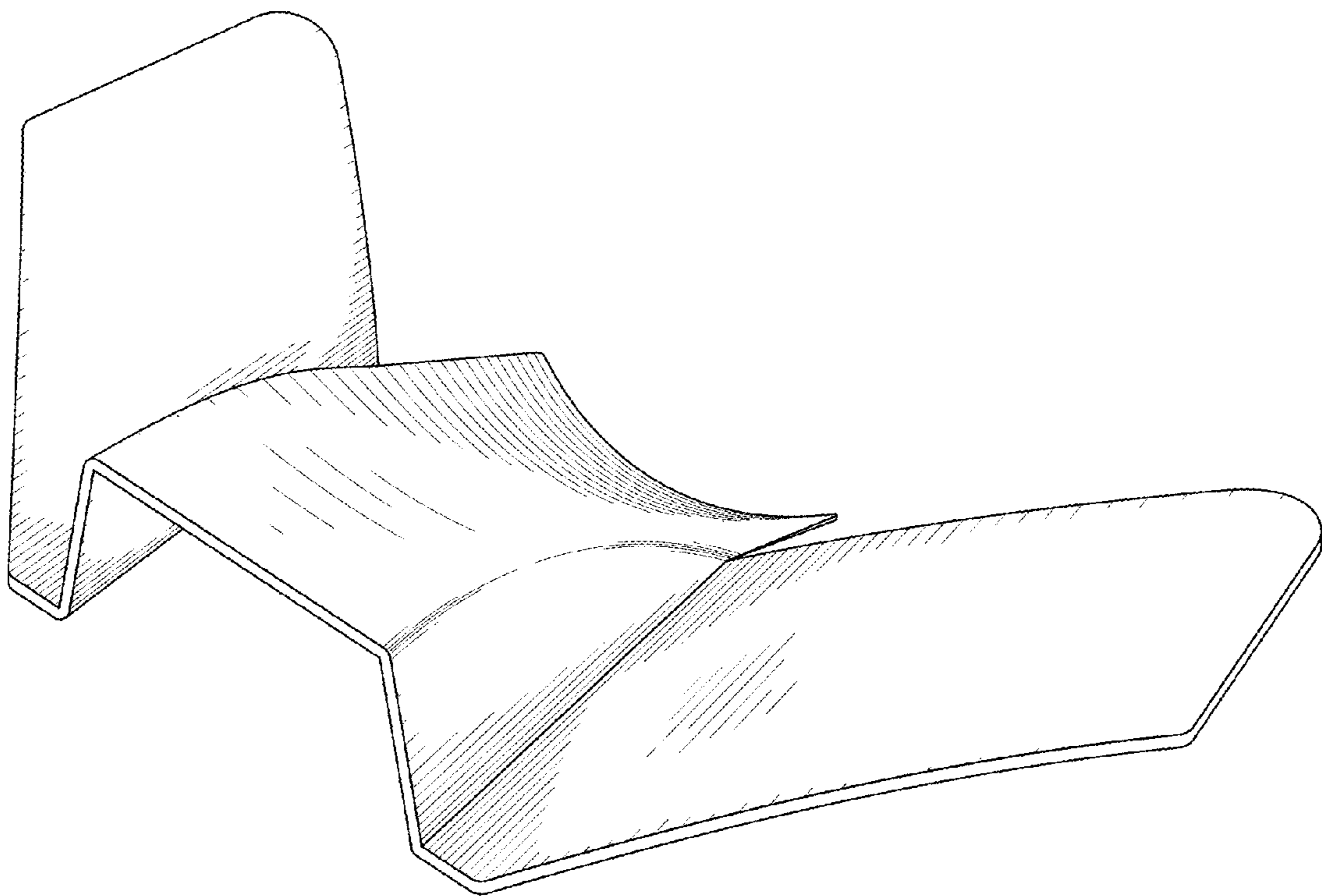


FIG. 1

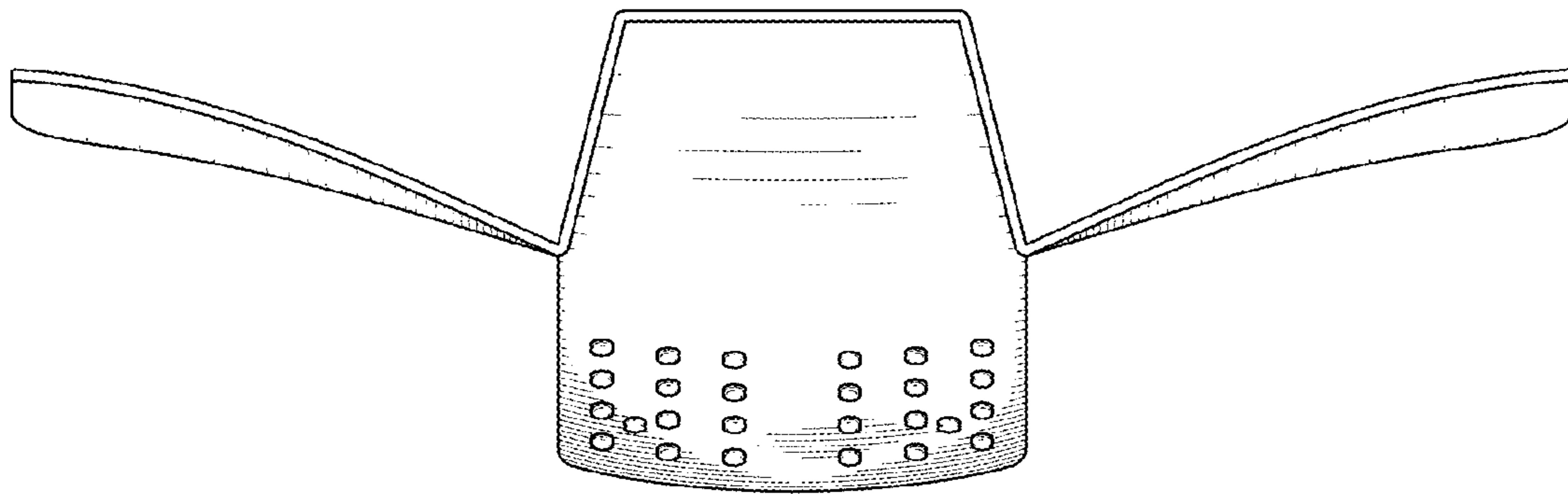


FIG. 2

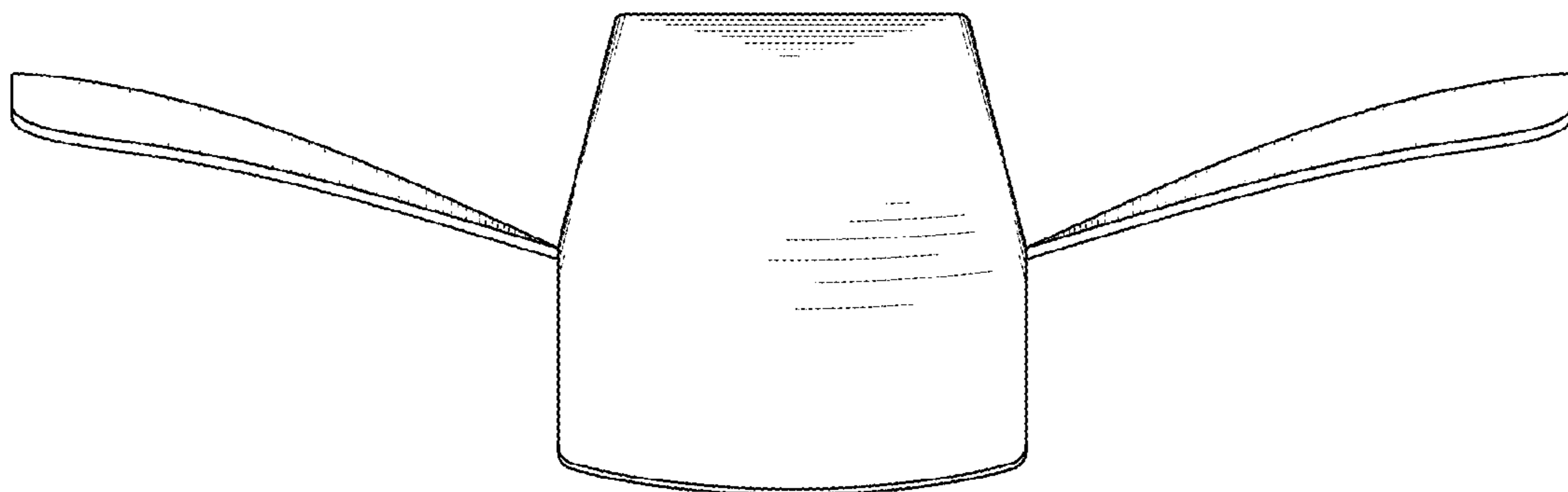


FIG. 3

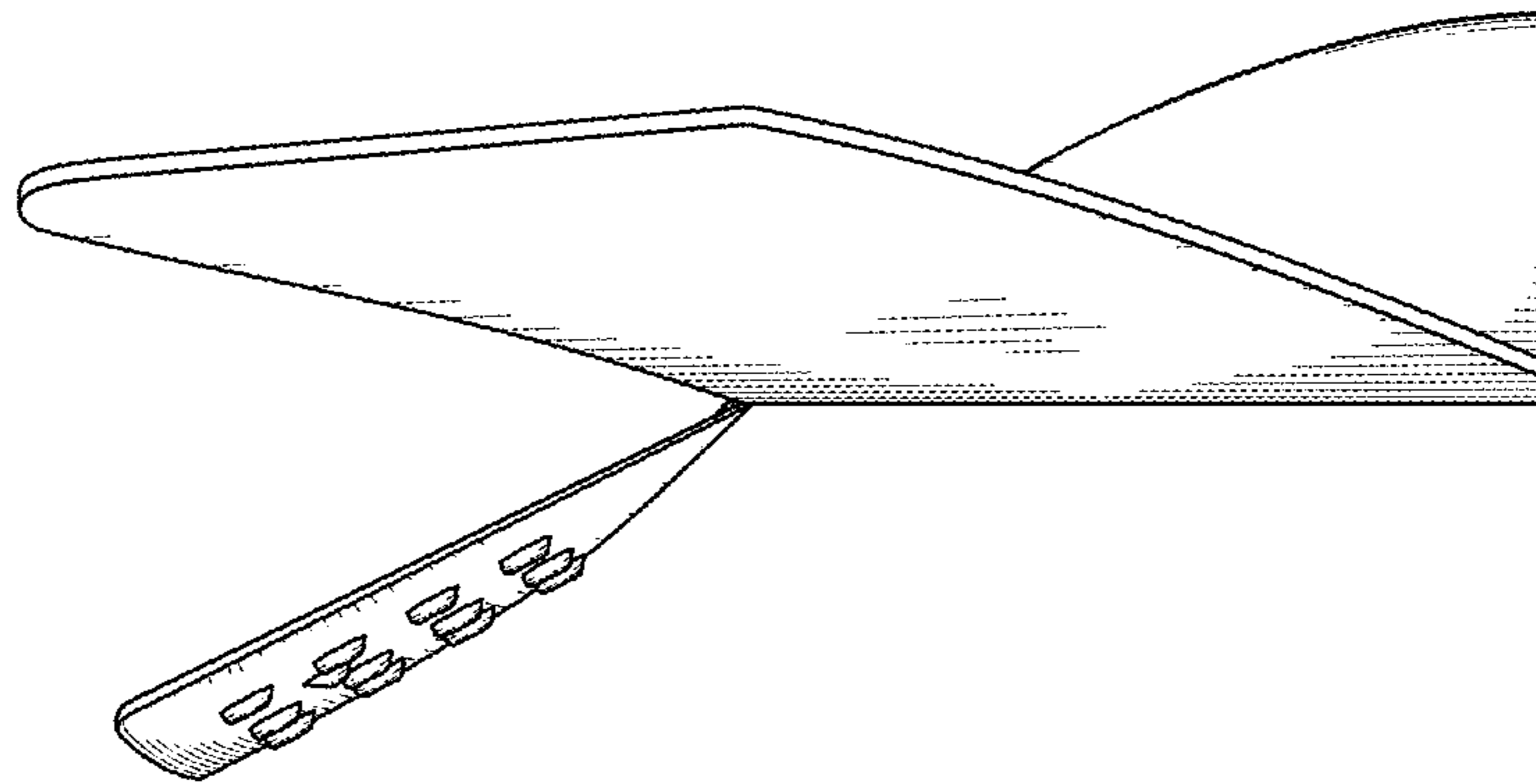


FIG. 4

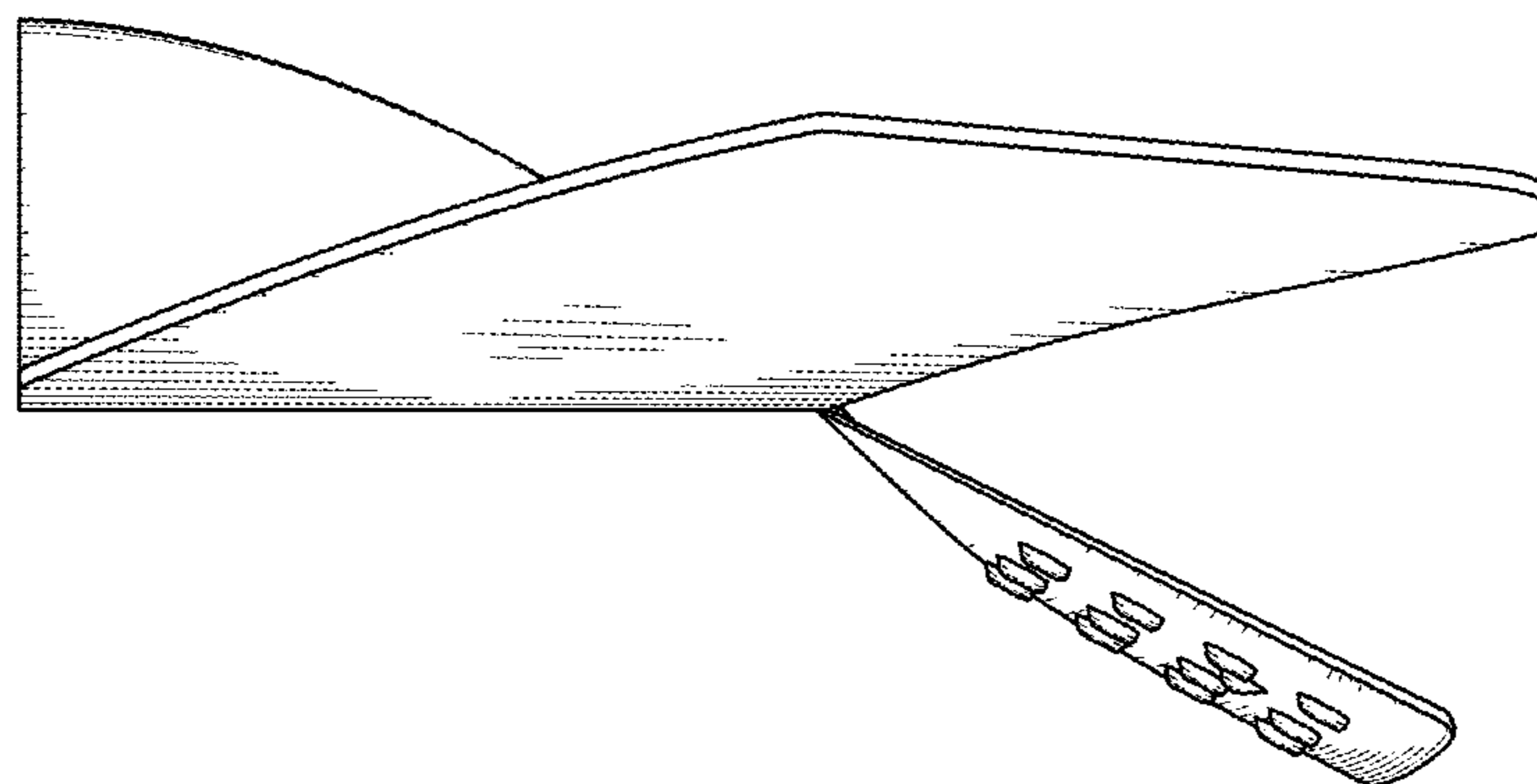


FIG. 5

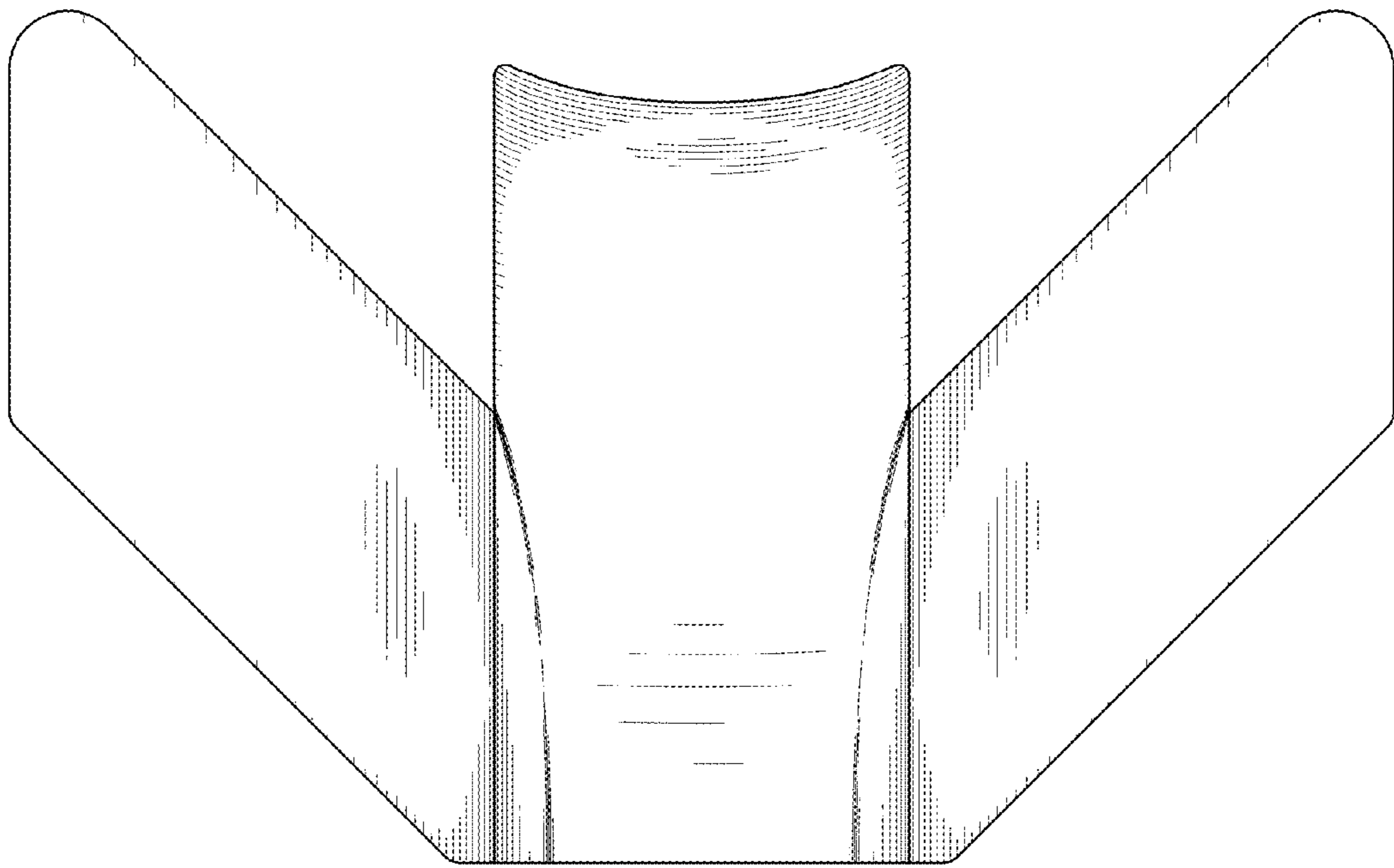


FIG. 6

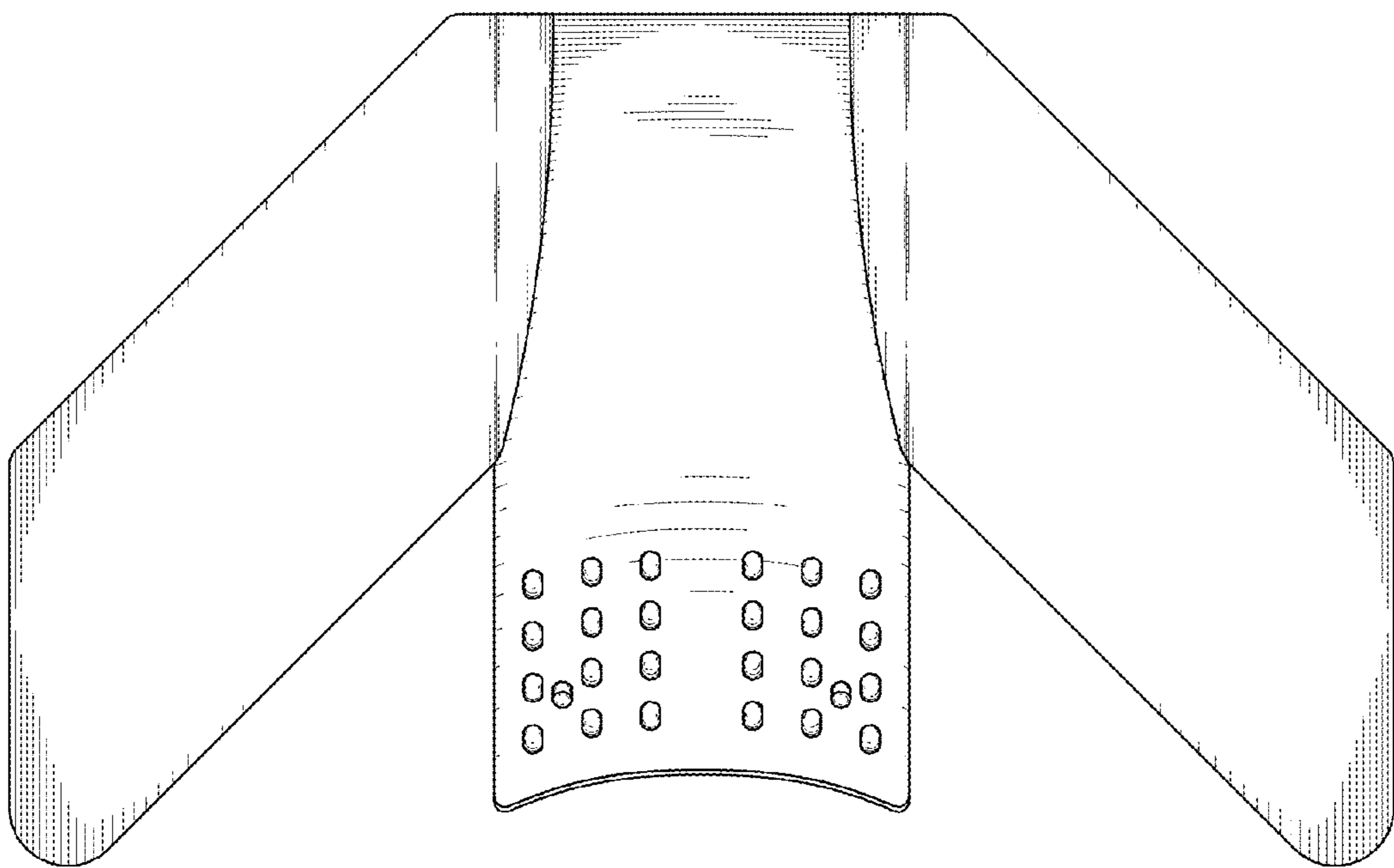


FIG. 7