



US00D765821S

(12) **United States Design Patent** (10) **Patent No.:** **US D765,821 S**
Asaba (45) **Date of Patent:** **** Sep. 6, 2016**

(54) **FLUID PRESSURE CYLINDER WITH PLATE**

(71) Applicant: **SMC CORPORATION**, Tokyo (JP)

(72) Inventor: **Tsuyoshi Asaba**, Abiko (JP)

(73) Assignee: **SMC CORPORATION**, Tokyo (JP)

(**) Term: **14 Years**

(21) Appl. No.: **29/487,605**

(22) Filed: **Apr. 10, 2014**

(51) **LOC (10) Cl.** **23-01**

(52) **U.S. Cl.**
USPC **D23/233**

(58) **Field of Classification Search**

USPC D23/233, 200, 207, 209, 210, 234–237,
D23/244–249; D10/85; 92/165 R, 166;
137/884, 885, 625.4, 625.64, 625.65;
251/129.01, 129.15

CPC F16C 29/06; F16J 10/02
See application file for complete search history.

(56) **References Cited**

U.S. PATENT DOCUMENTS

5,555,789 A * 9/1996 Rosengren F16C 29/06
384/57
D556,861 S * 12/2007 Yokohari D23/233

(Continued)

Primary Examiner — Cynthia Ramirez

(74) *Attorney, Agent, or Firm* — Birch, Stewart, Kolasch & Birch, LLP

(57) **CLAIM**

The ornamental design for a fluid pressure cylinder with plate, as shown and described.

DESCRIPTION

FIG. 1 is a top, front and left-side perspective view of a fluid pressure cylinder with plate showing a first embodiment of my new design;

FIG. 2 is a front view thereof;

FIG. 3 is a rear view thereof;

FIG. 4 is a top plan view thereof;

FIG. 5 is a bottom plan view thereof;

FIG. 6 is a left side view thereof;

FIG. 7 is a right side view thereof;

FIG. 8 is a top, front and left-side perspective view of a fluid pressure cylinder with plate showing a second embodiment of my new design;

FIG. 9 is a front view thereof;

FIG. 10 is a rear view thereof;

FIG. 11 is a top plan view thereof;

FIG. 12 is a bottom plan view thereof;

FIG. 13 is a left side view thereof;

FIG. 14 is a right side view thereof;

FIG. 15 is a top, front and left-side perspective view of a fluid pressure cylinder with plate showing a third embodiment of my new design;

FIG. 16 is a front view thereof;

FIG. 17 is a rear view thereof;

FIG. 18 is a top plan view thereof;

FIG. 19 is a bottom plan view thereof;

FIG. 20 is a left side view thereof;

FIG. 21 is a right side view thereof;

FIG. 22 is a top, front and left-side perspective view of a fluid pressure cylinder with plate showing a fourth embodiment of my new design;

FIG. 23 is a front view thereof;

FIG. 24 is a rear view thereof;

FIG. 25 is a top plan view thereof;

FIG. 26 is a bottom plan view thereof;

FIG. 27 is a left side view thereof;

FIG. 28 is a right side view thereof;

FIG. 29 is a top, front and left-side perspective view of a fluid pressure cylinder with plate showing a fifth embodiment of my new design;

FIG. 30 is a front view thereof;

FIG. 31 is a rear view thereof;

FIG. 32 is a top plan view thereof;

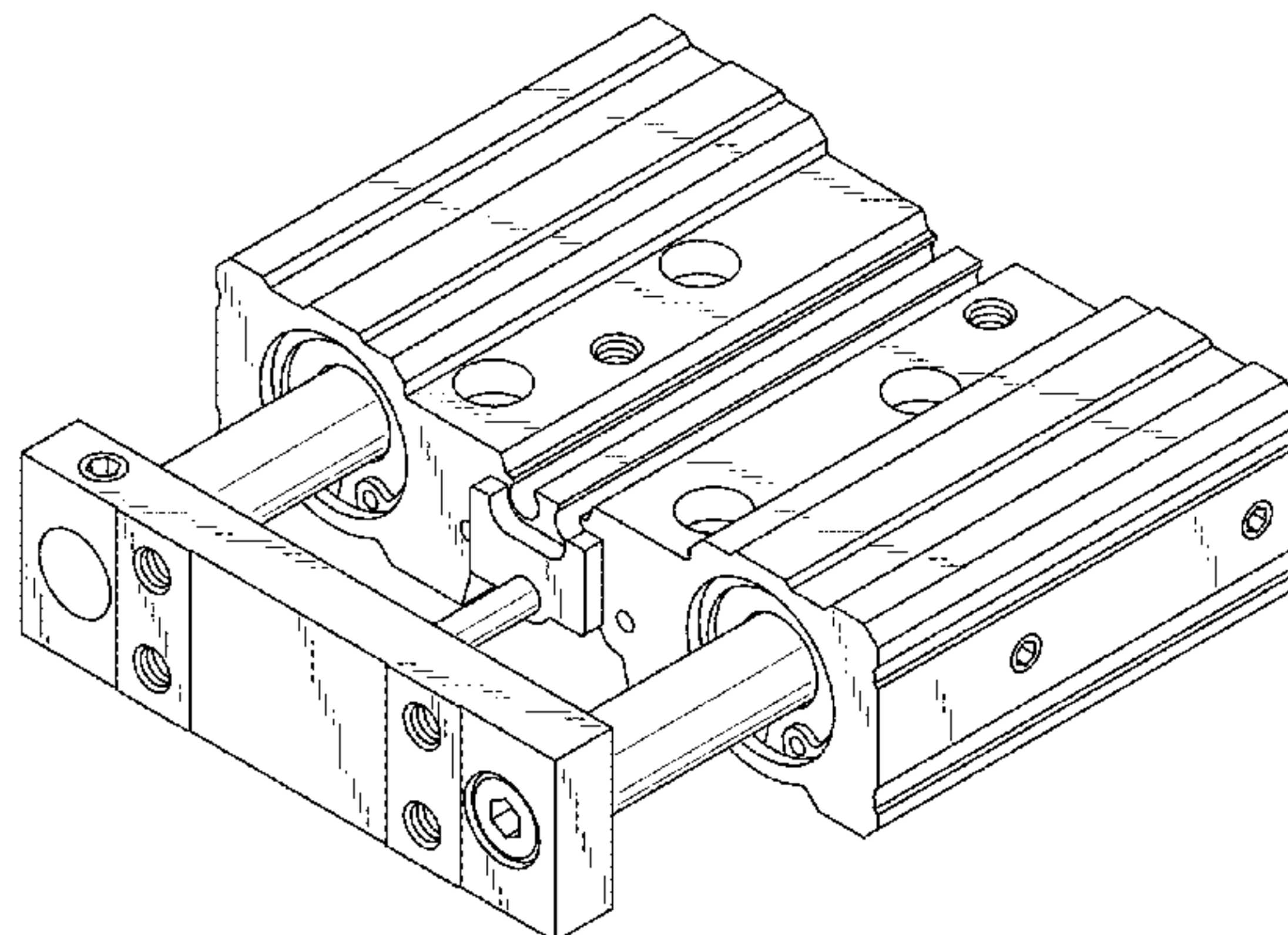
FIG. 33 is a bottom plan view thereof;

FIG. 34 is a left side view thereof; and,

FIG. 35 is a right side view thereof.

The broken lines shown in the figures are included for the purpose of illustrating portions of the fluid pressure cylinder with plate and forms no part of the claimed design.

1 Claim, 35 Drawing Sheets



US D765,821 S

Page 2

(56)

References Cited

U.S. PATENT DOCUMENTS

D556,862 S * 12/2007 Yokohari D23/233
7,836,816 B2 * 11/2010 Tokumoto F16J 10/02
92/128
D660,191 S * 5/2012 Asaba D10/85

D667,532 S * 9/2012 Asaba D10/85
D681,163 S * 4/2013 Asaba D10/85
D681,164 S * 4/2013 Asaba D10/85
D687,516 S * 8/2013 Asaba D10/85
D687,928 S * 8/2013 Asaba D10/85
D687,929 S * 8/2013 Asaba D10/85

* cited by examiner

FIG. 1

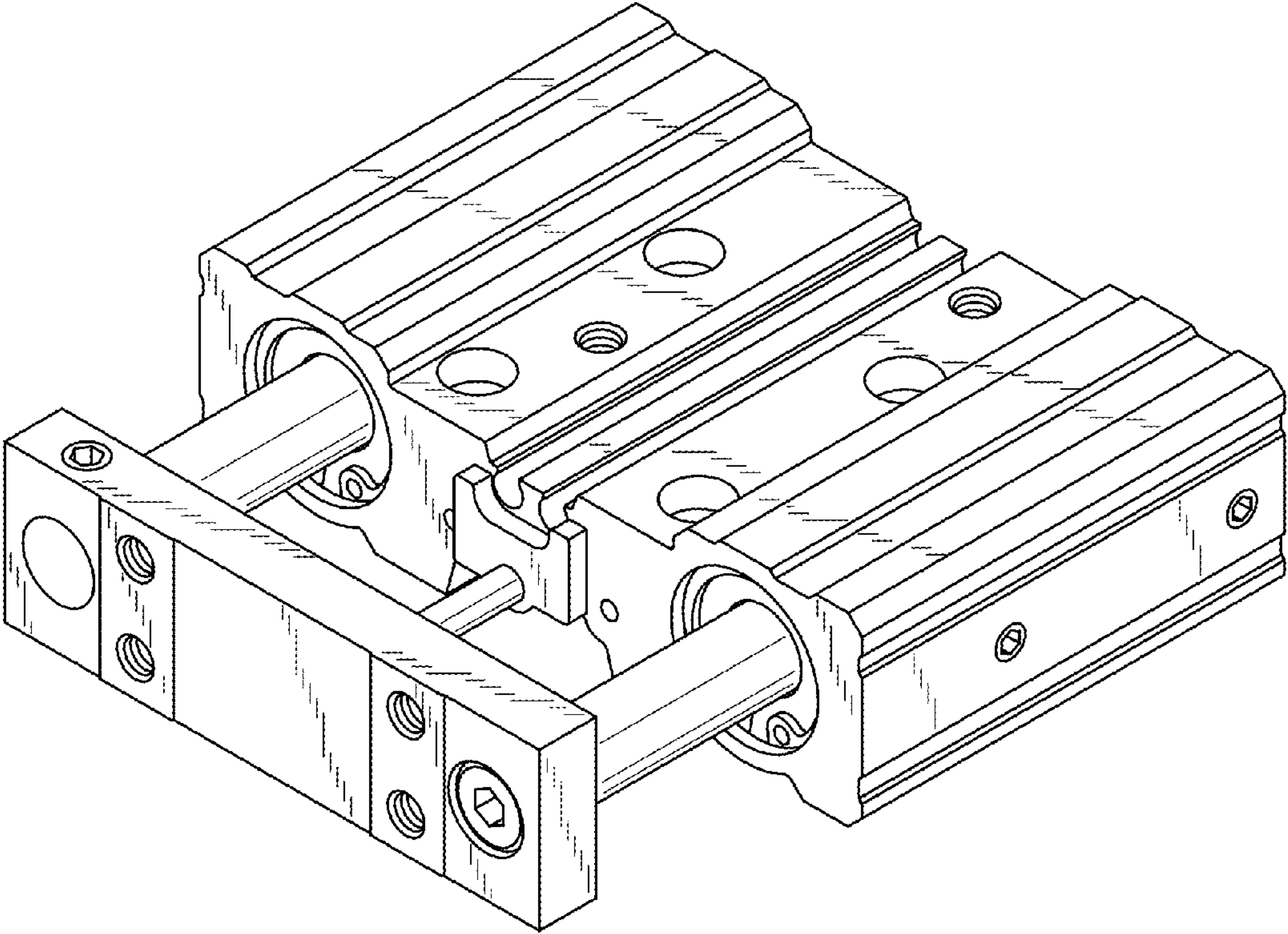


FIG. 2

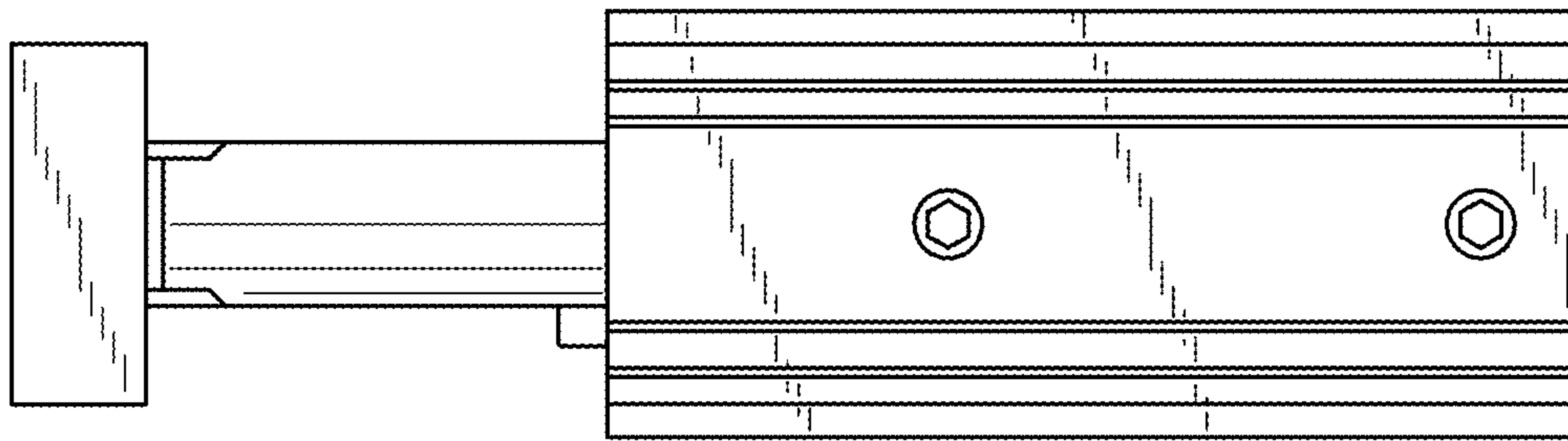


FIG. 3

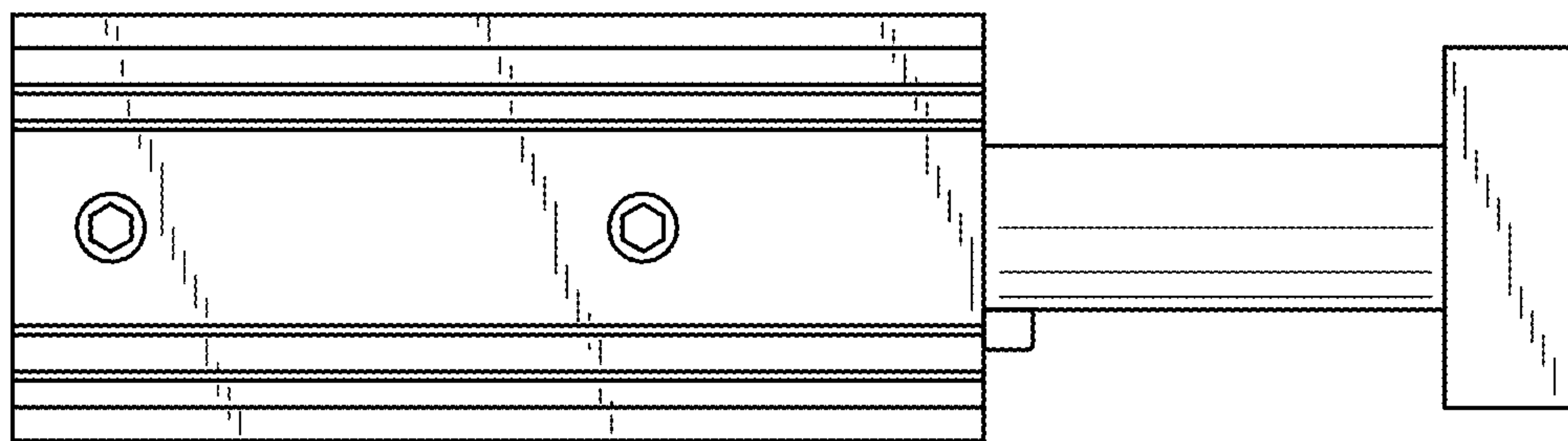


FIG. 4

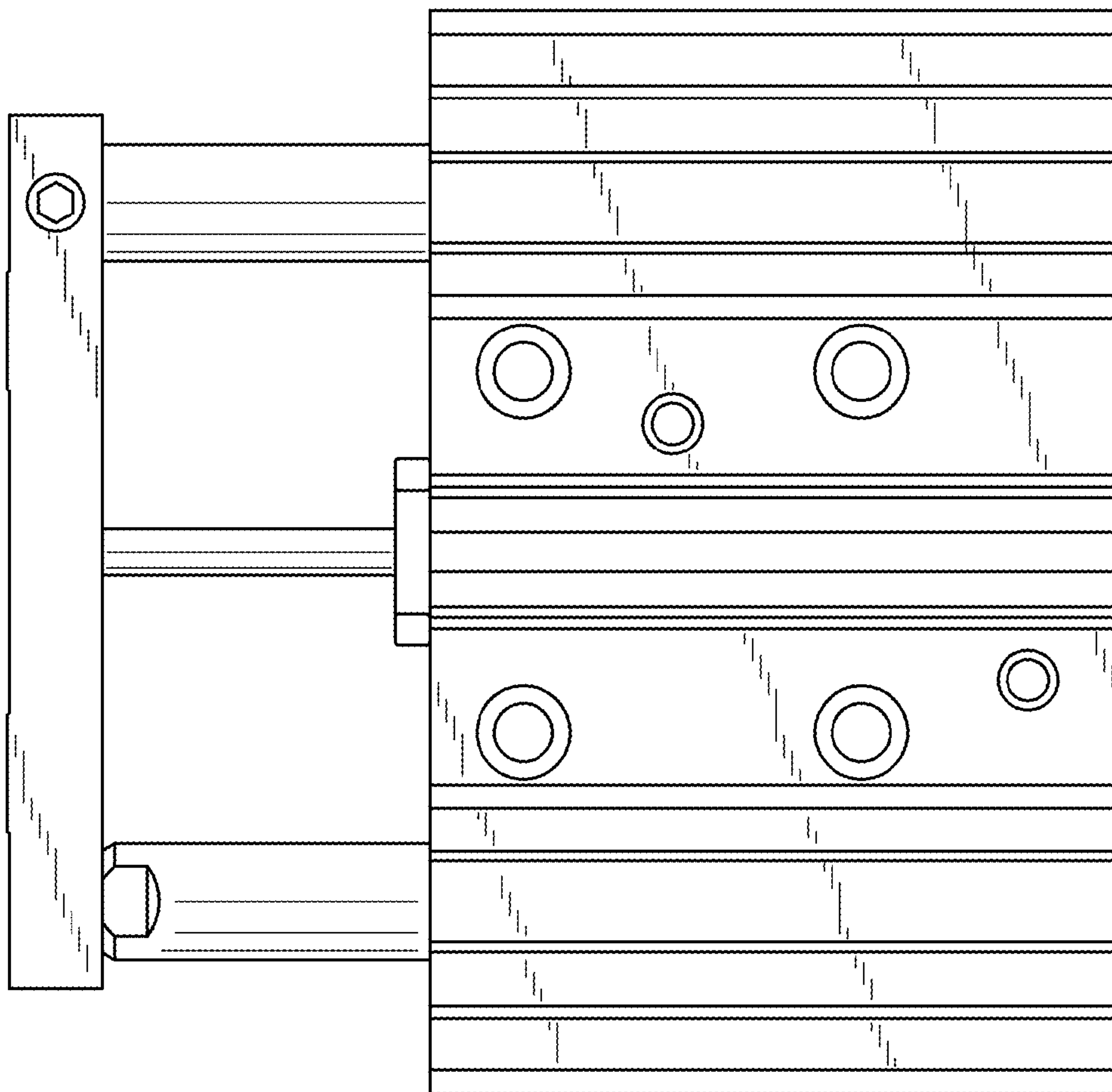


FIG. 5

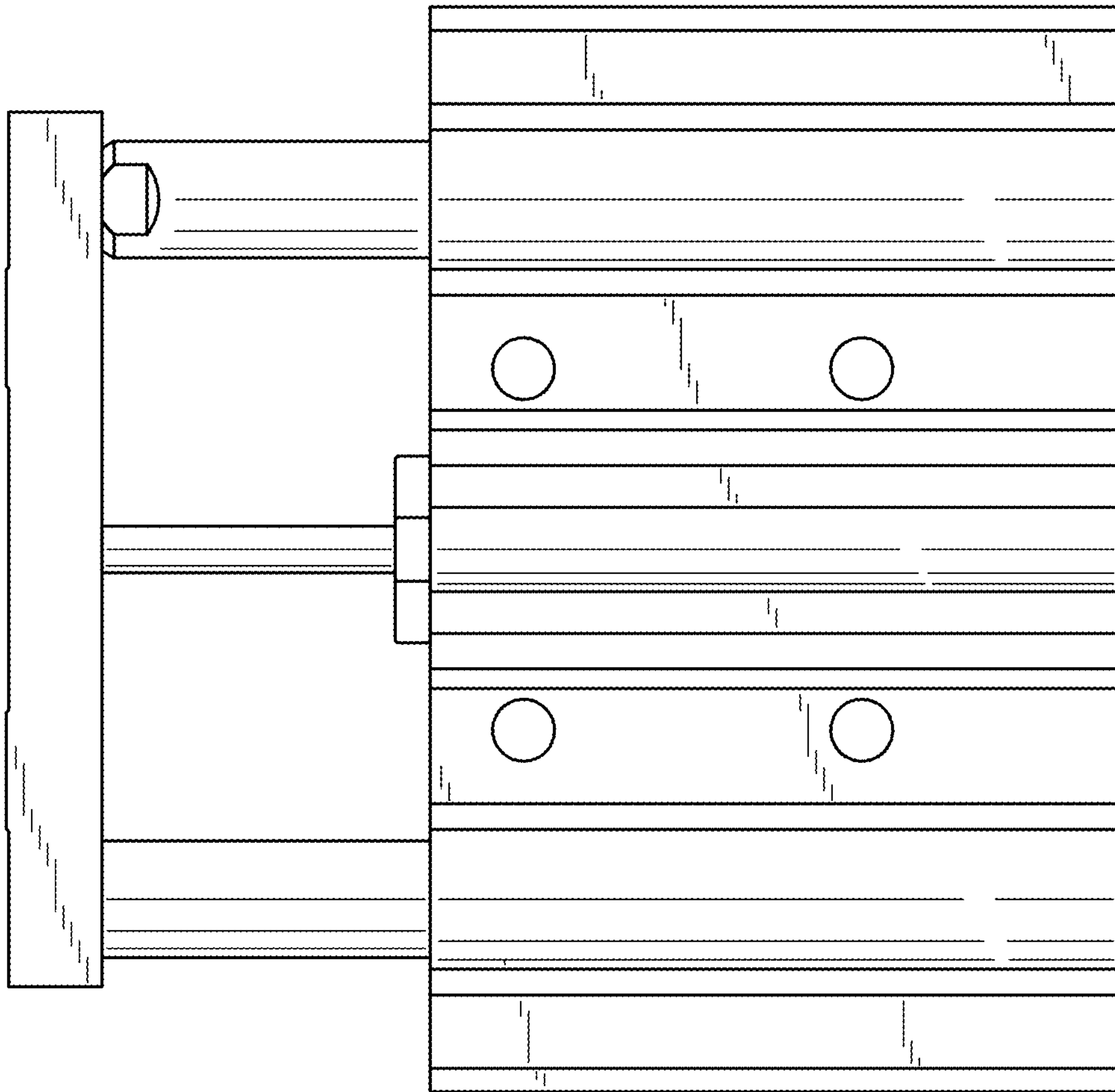


FIG. 6

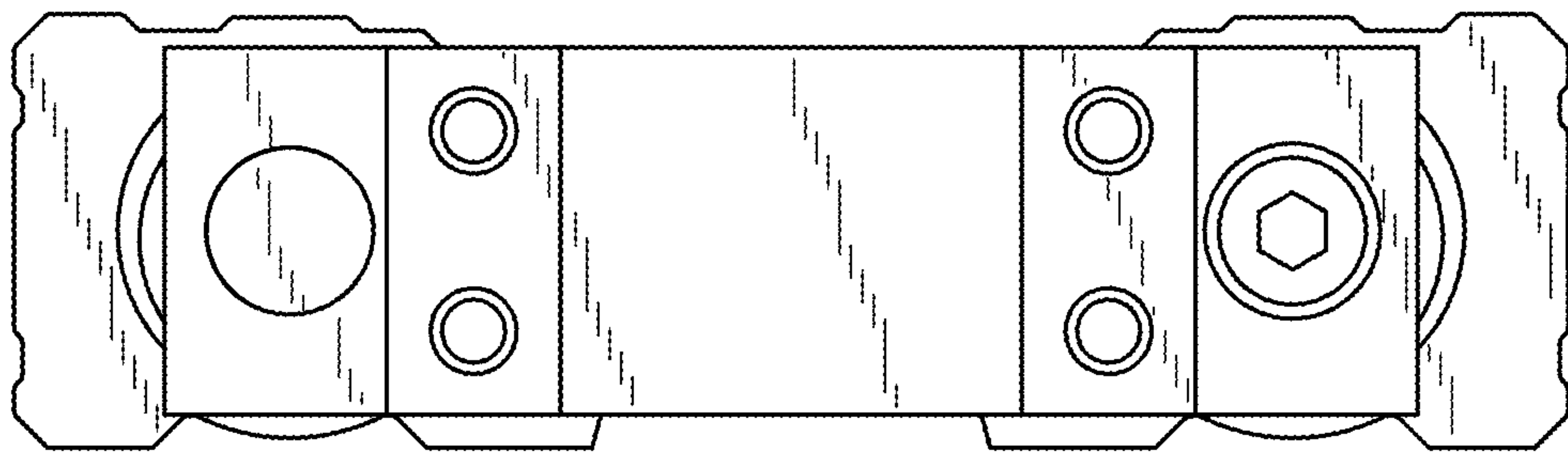


FIG. 7

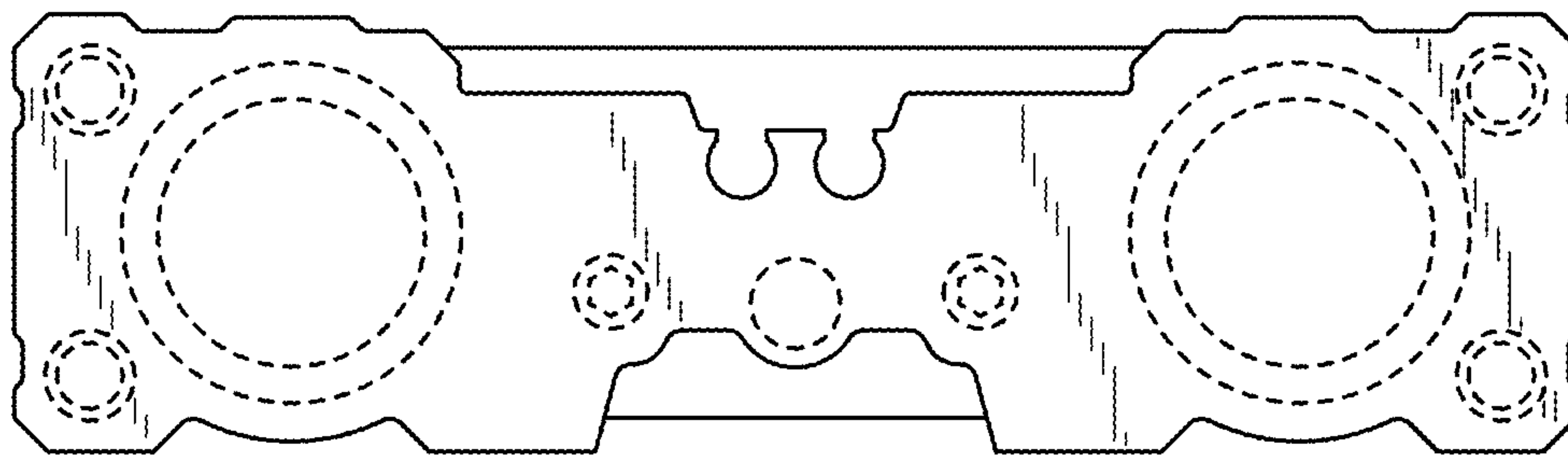


FIG. 8

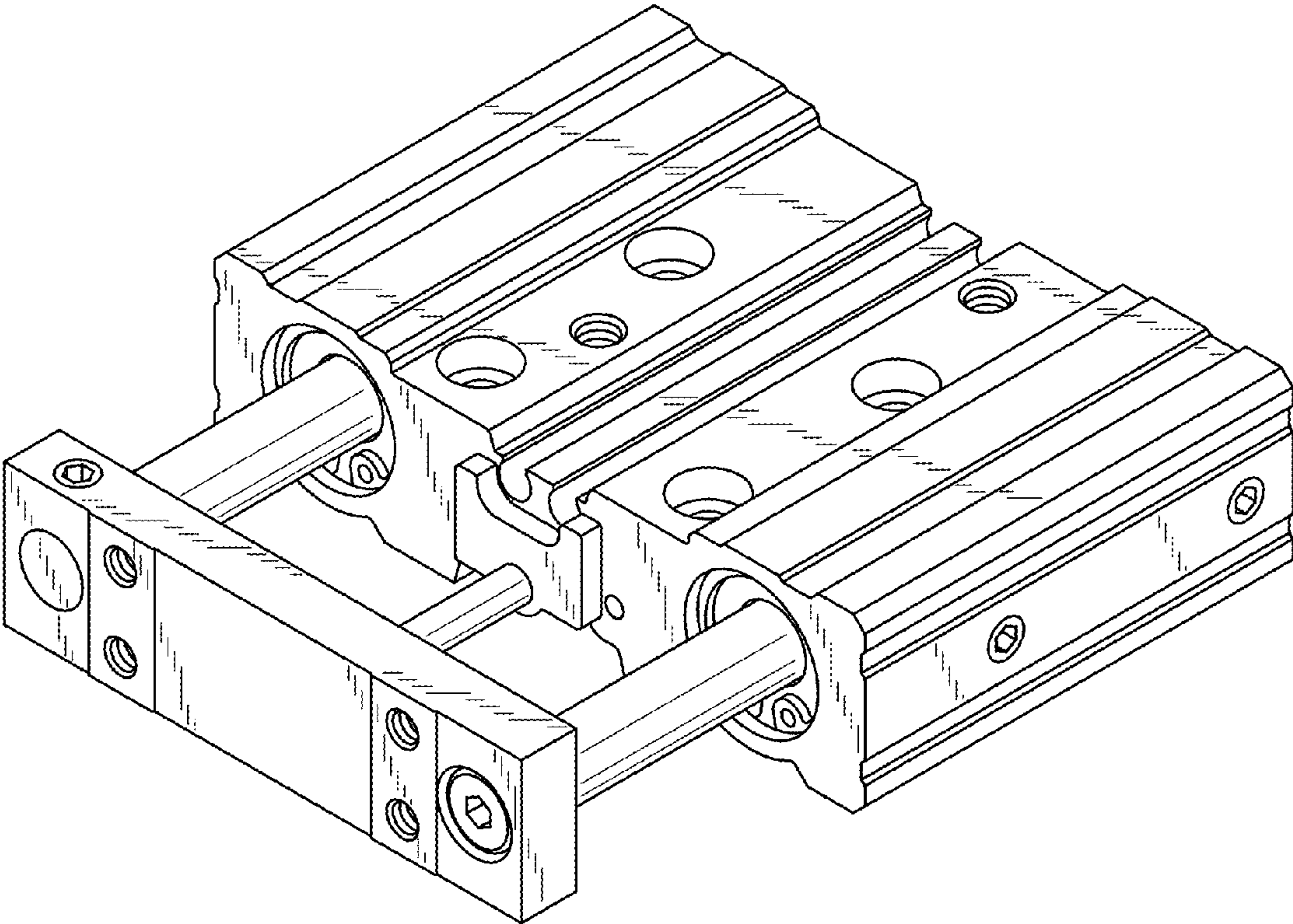


FIG. 9

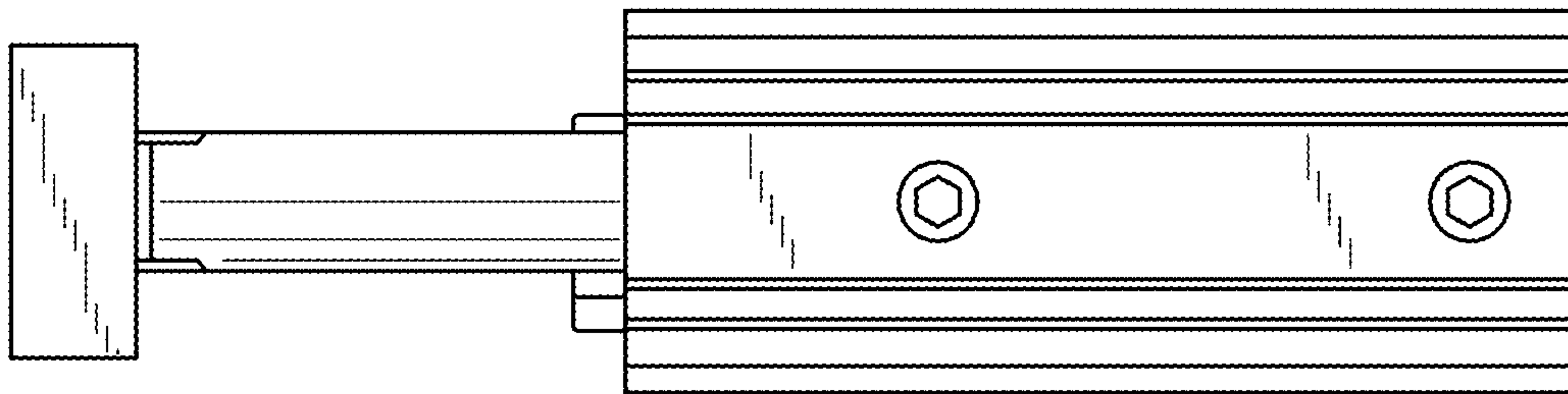


FIG. 10

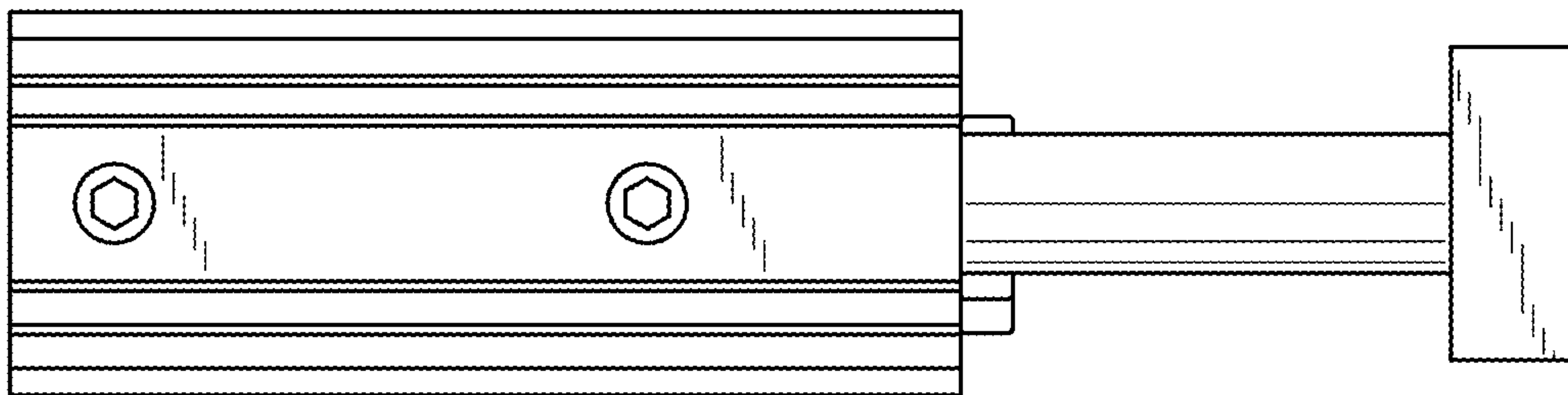


FIG. 11

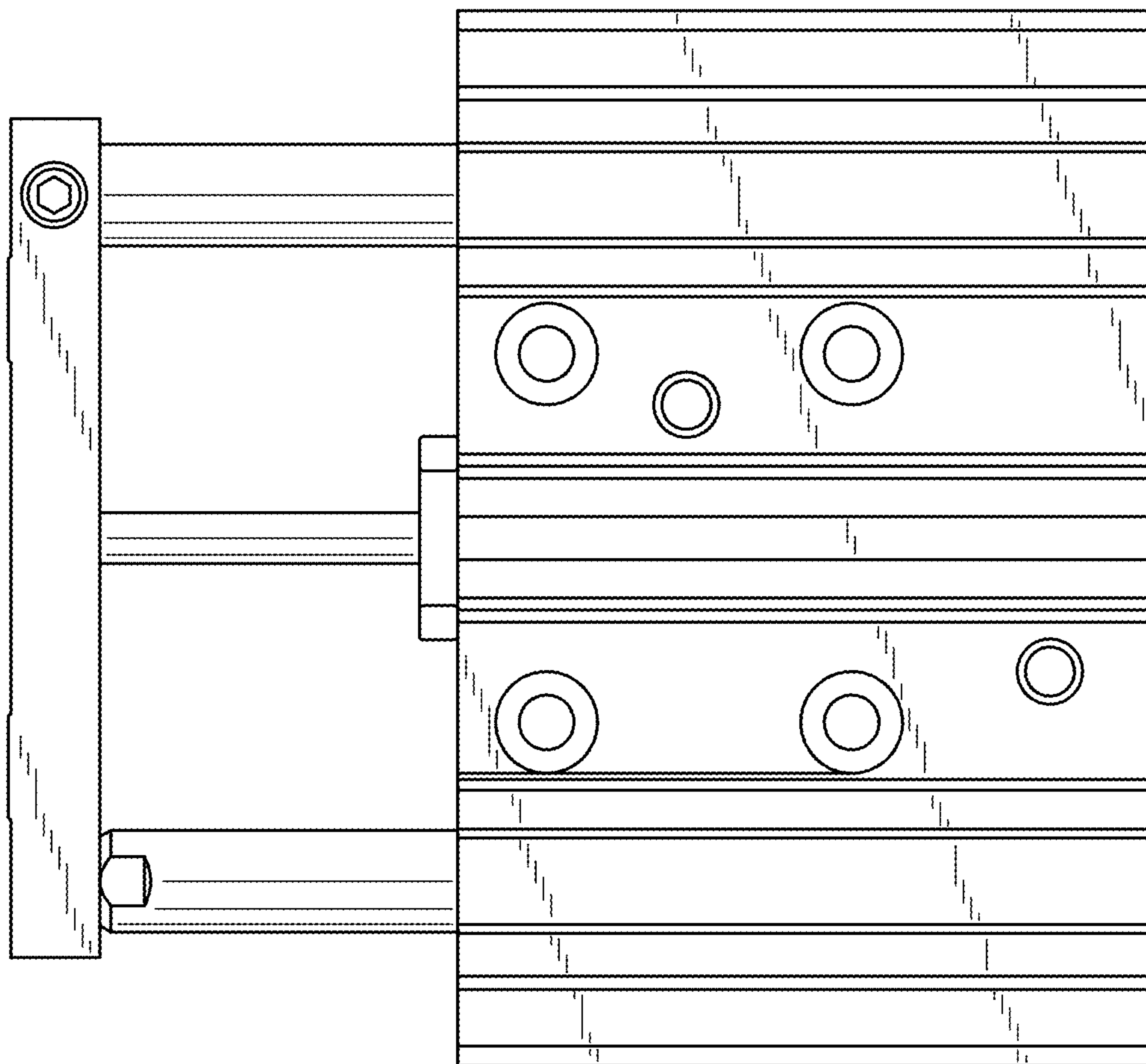


FIG. 12

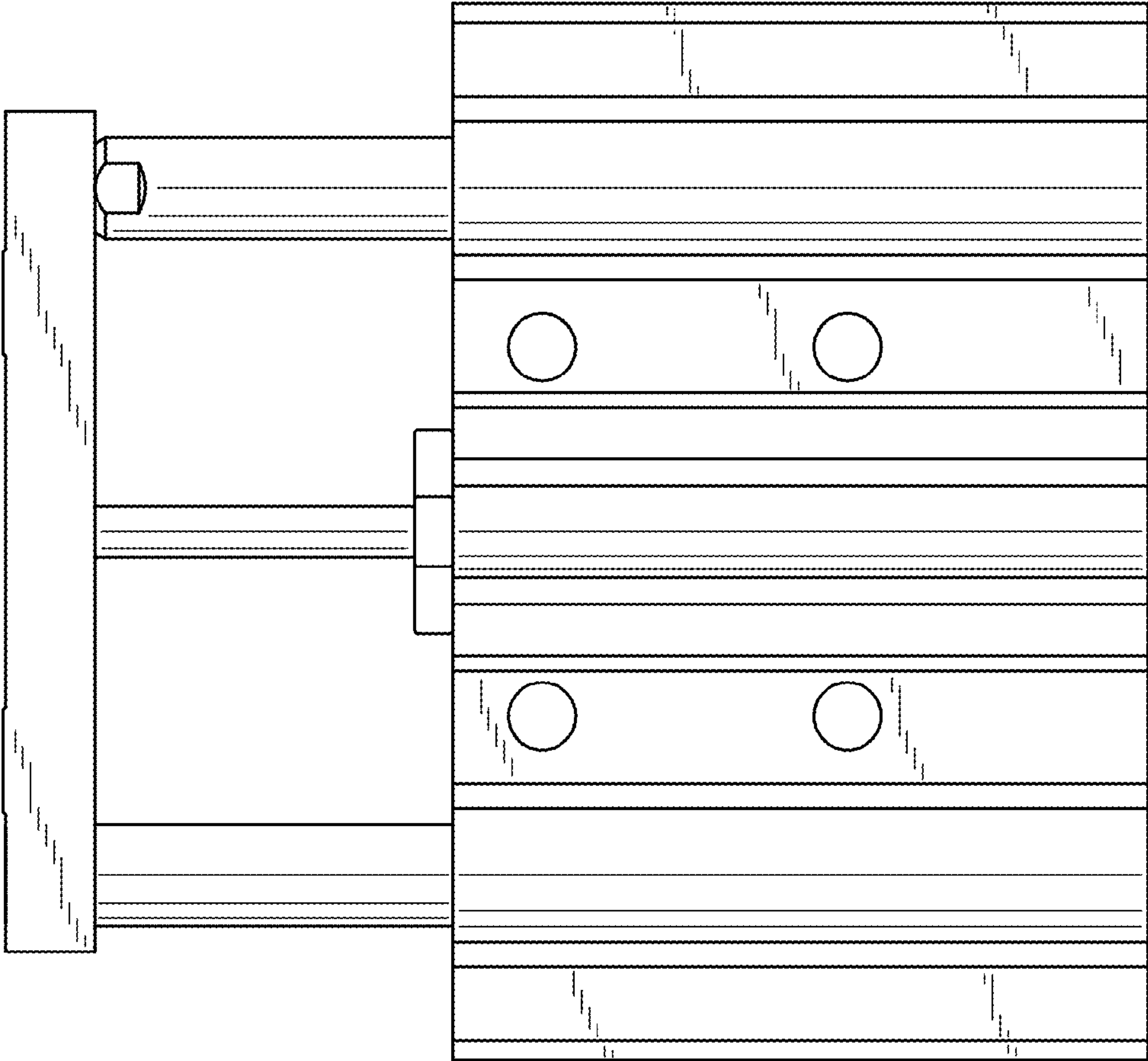


FIG. 13

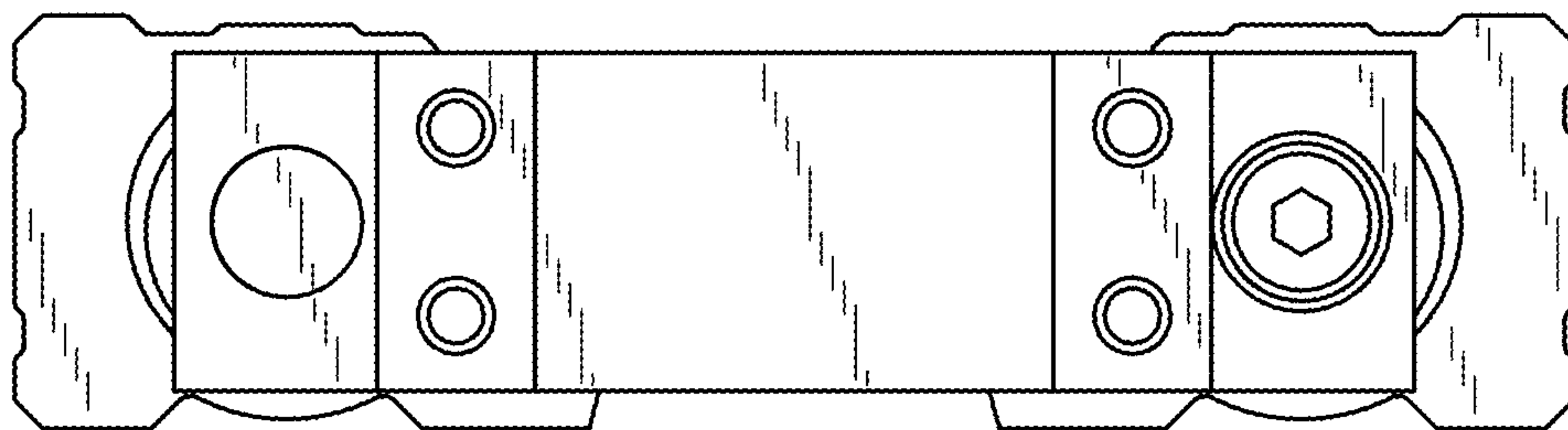


FIG. 14

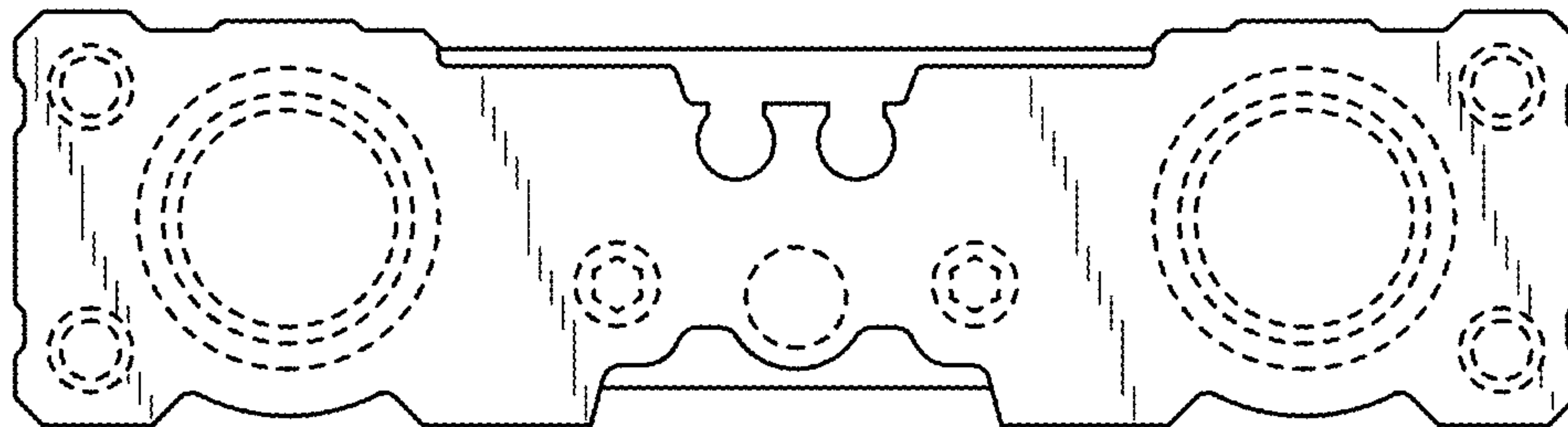


FIG. 15

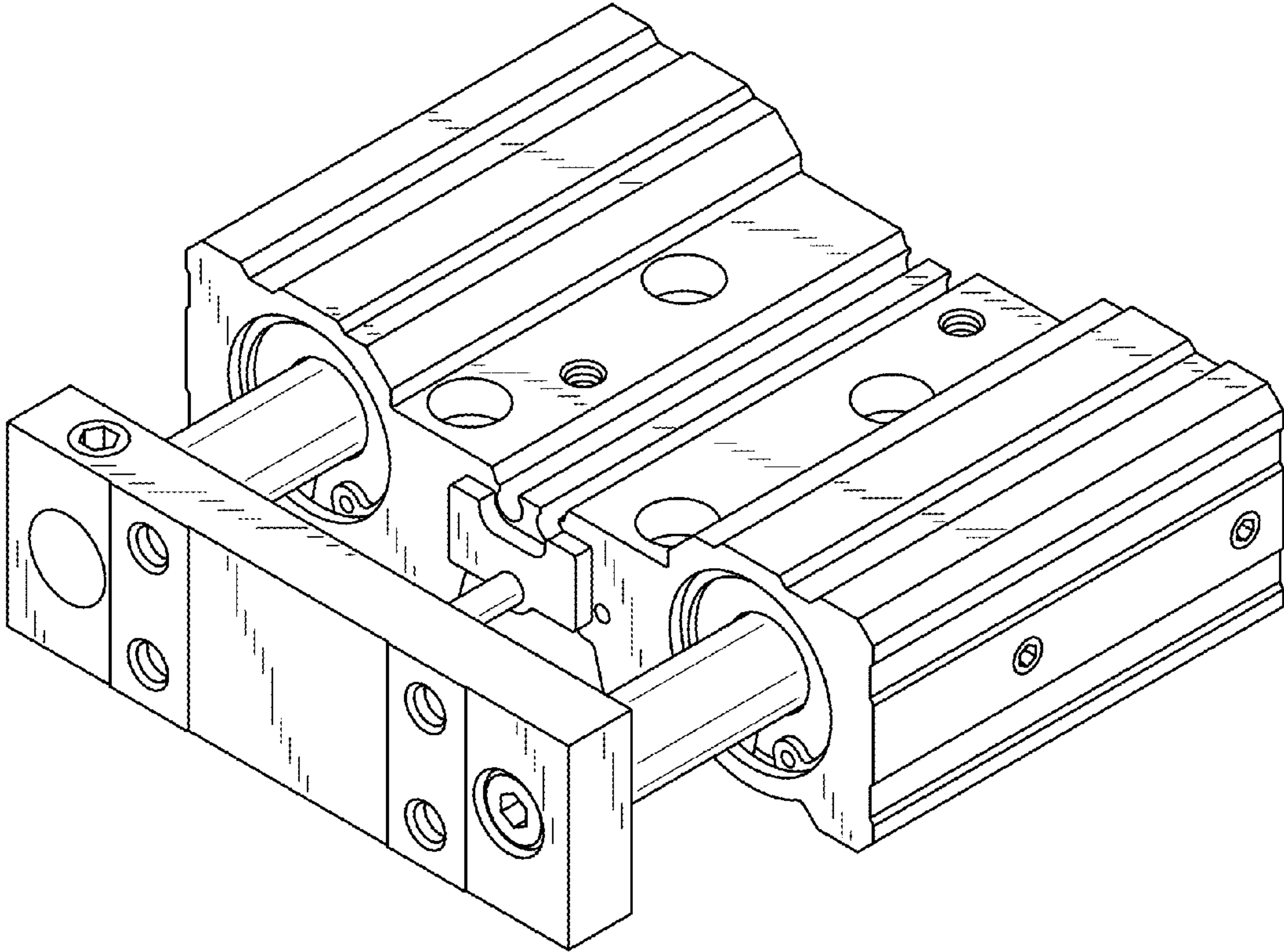


FIG. 16

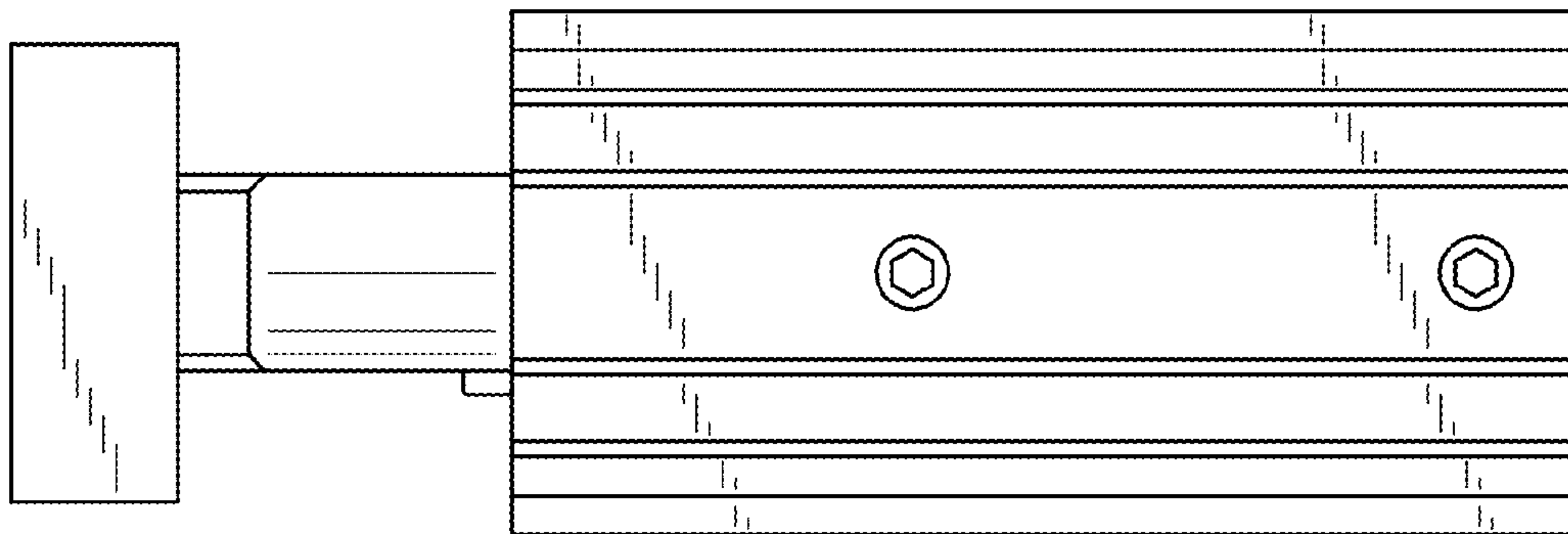


FIG. 17

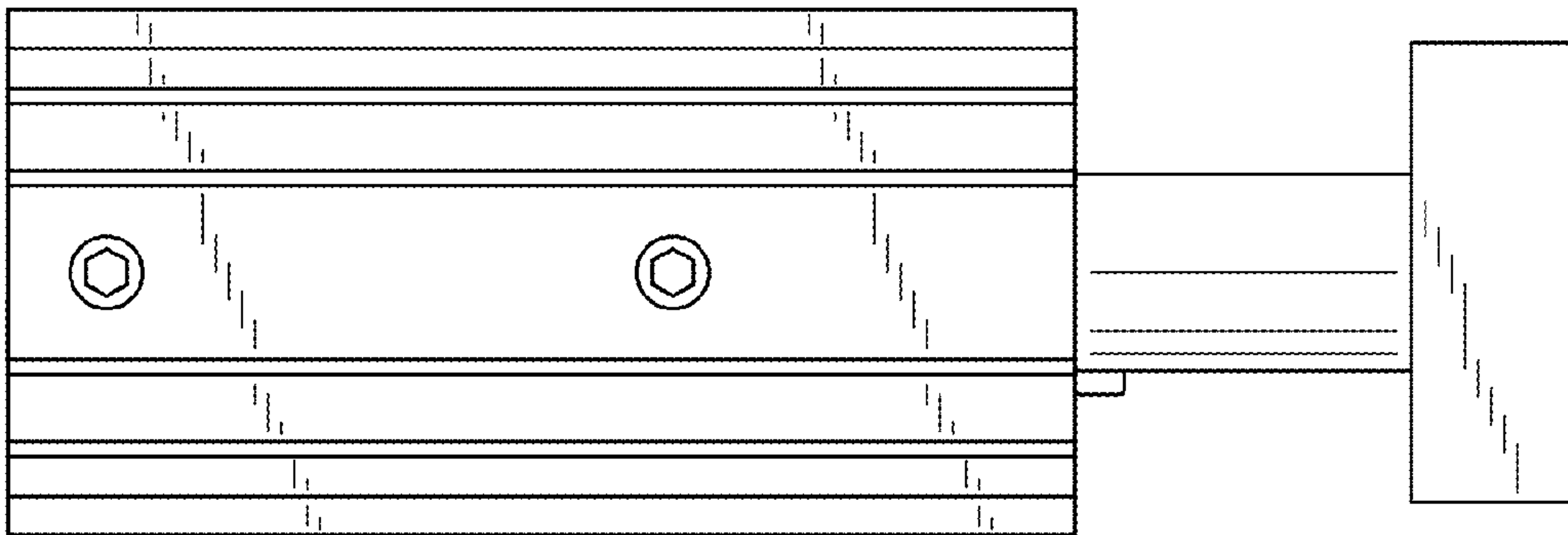


FIG. 18

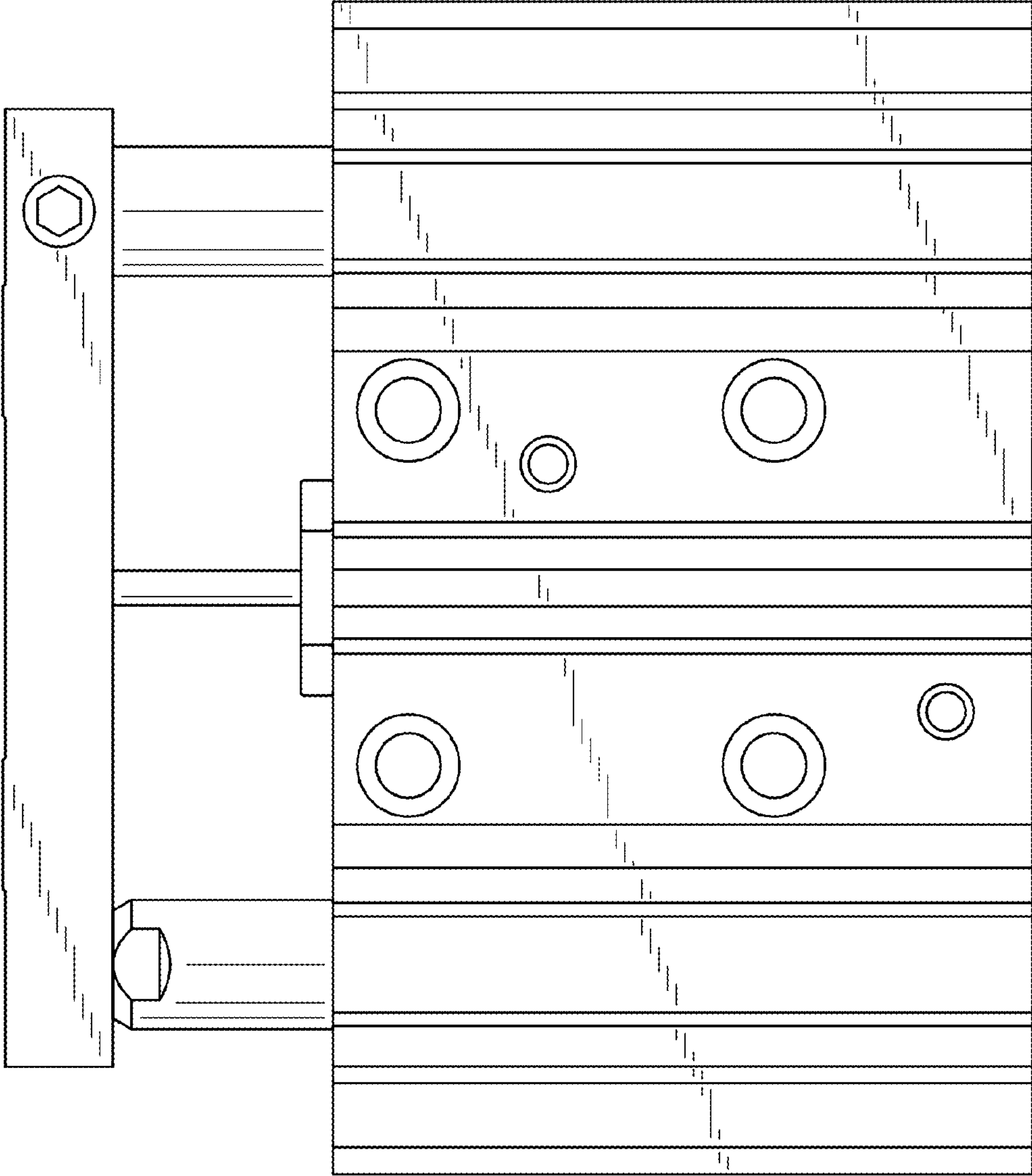


FIG. 19

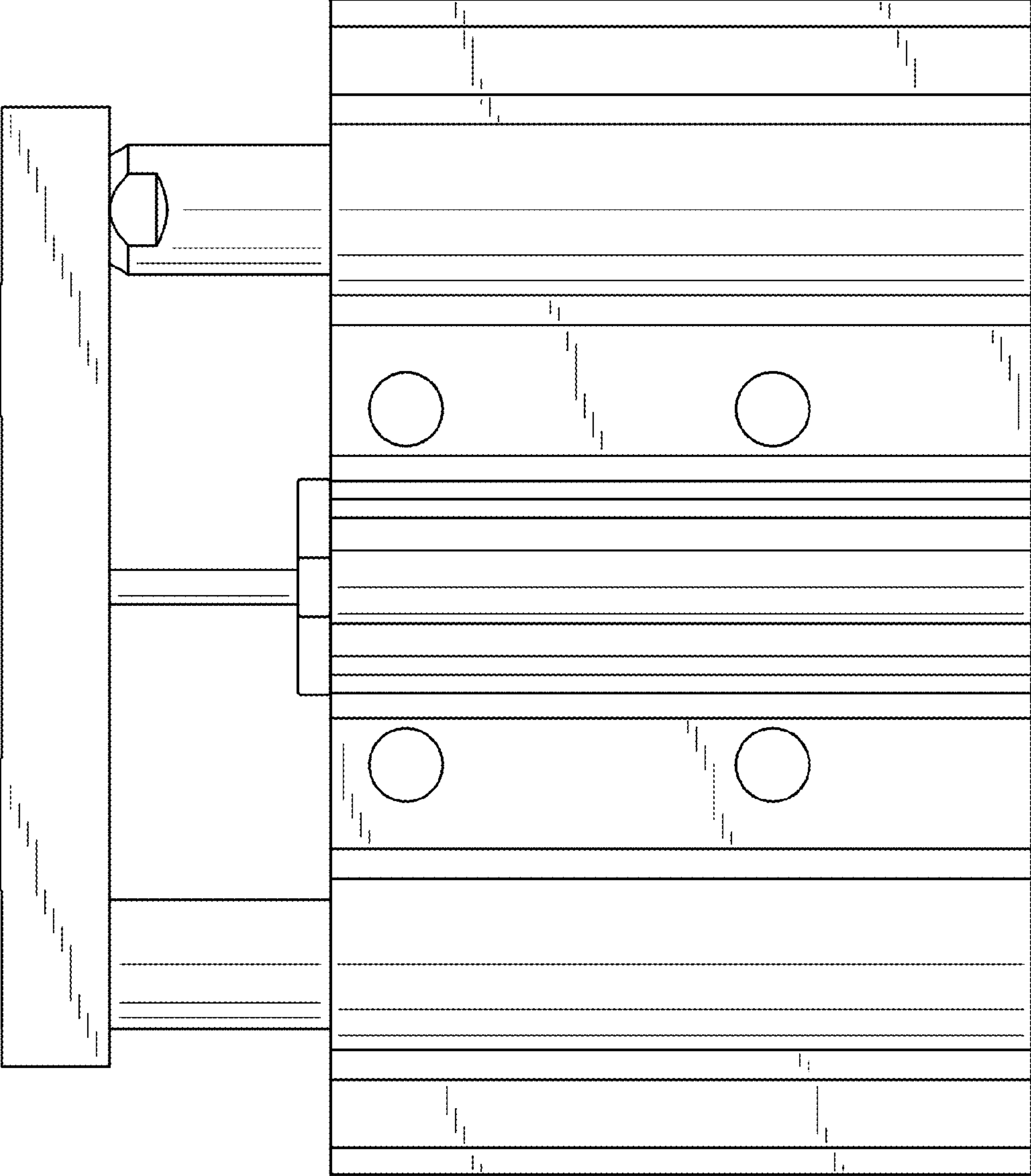


FIG. 20

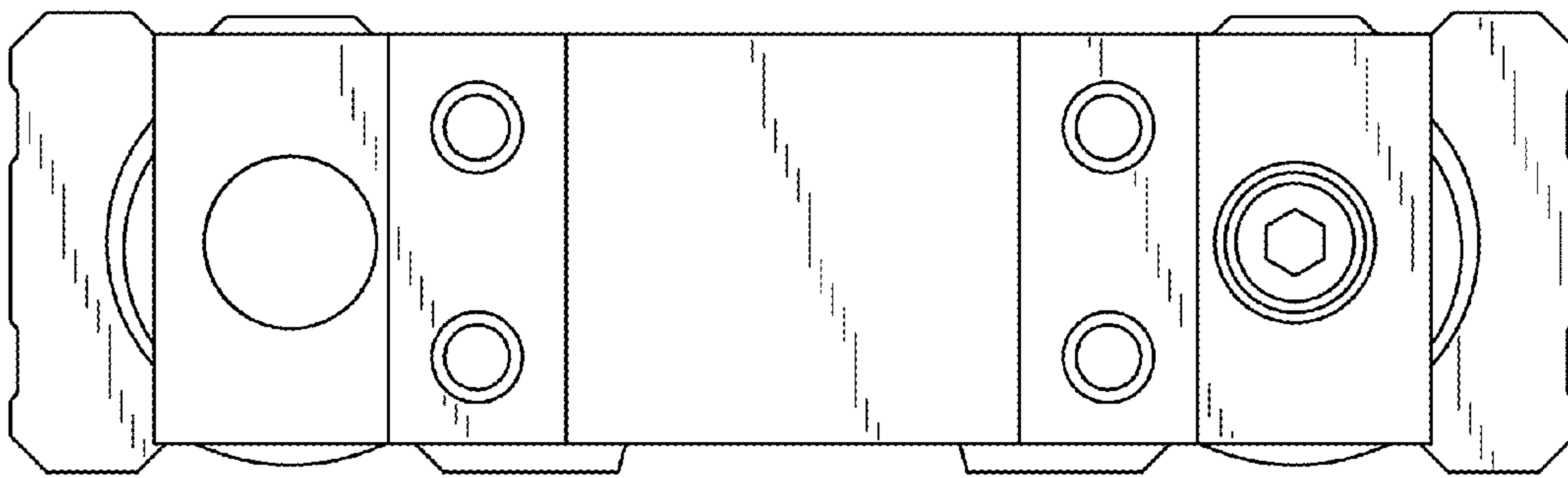


FIG. 21

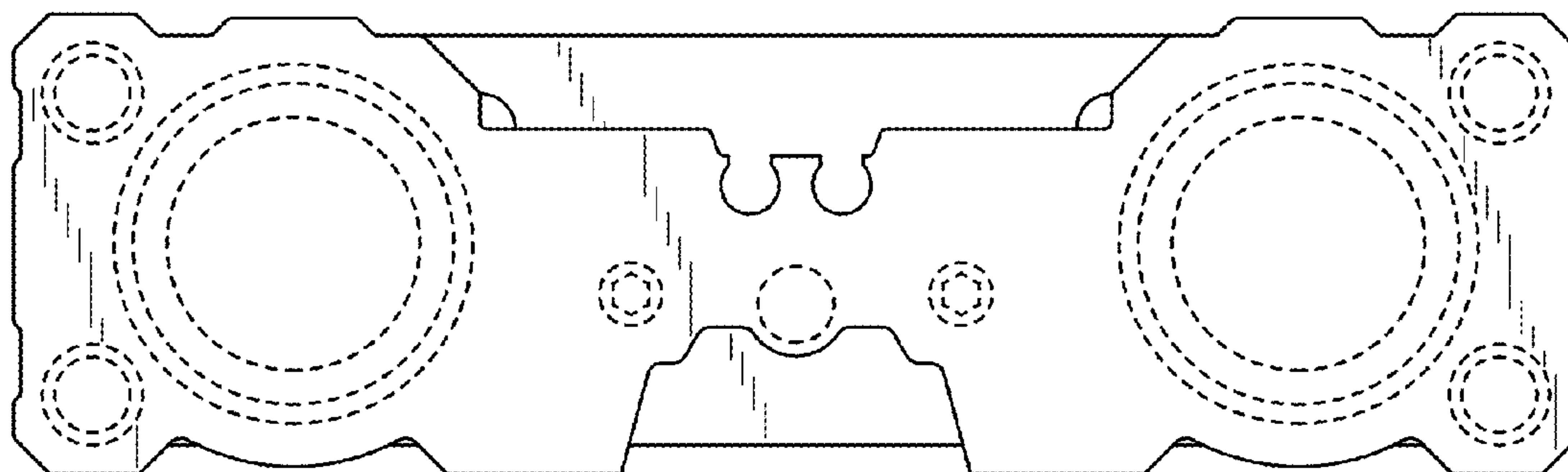


FIG. 22

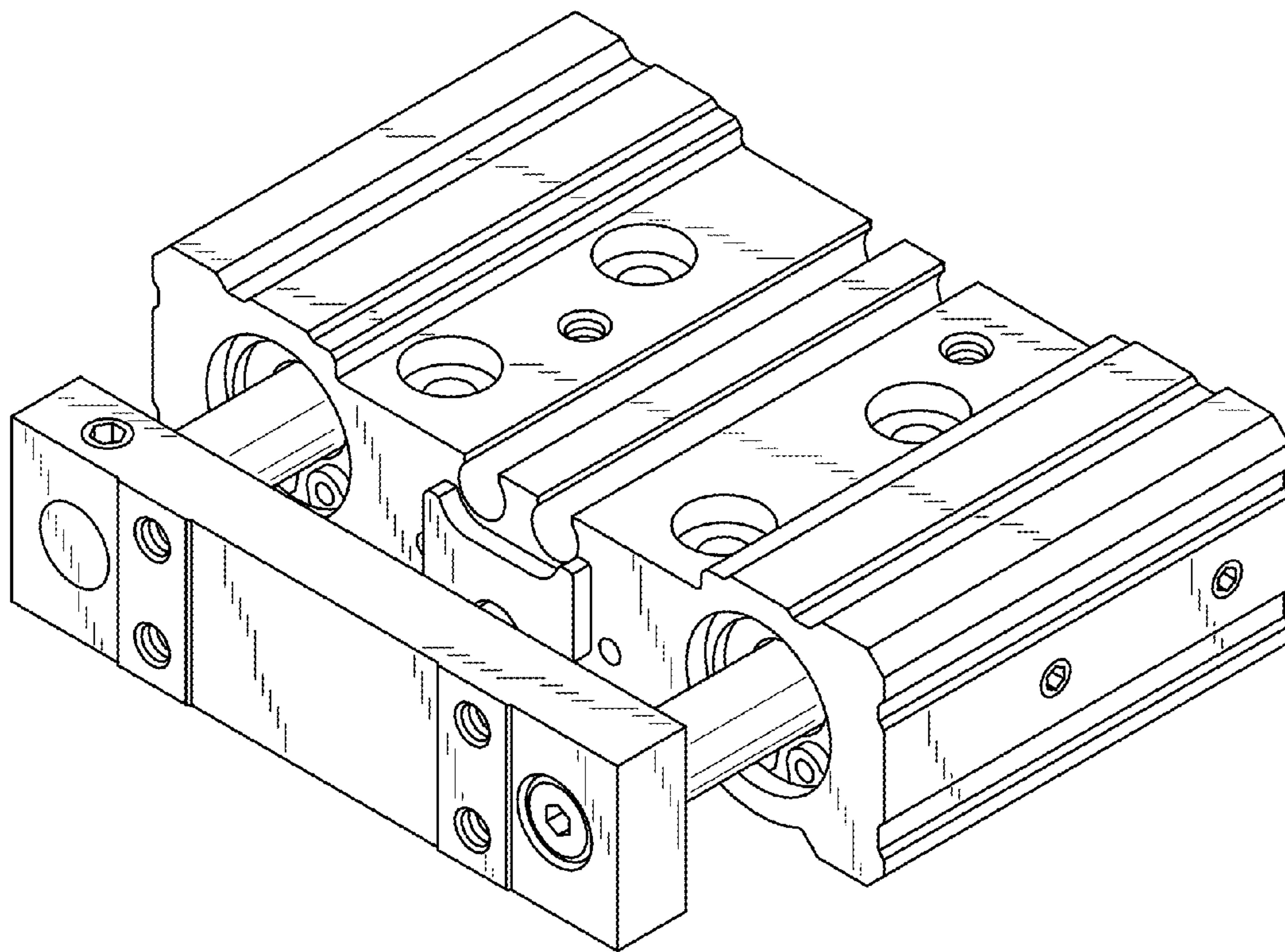


FIG. 23

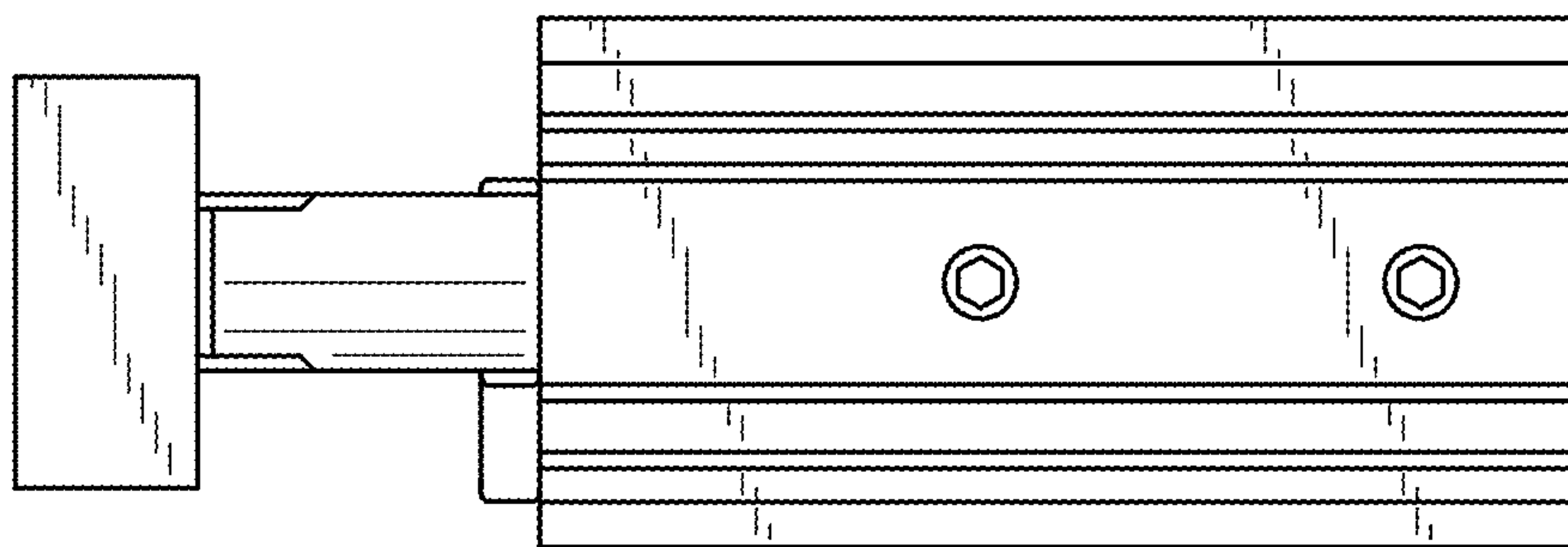


FIG. 24

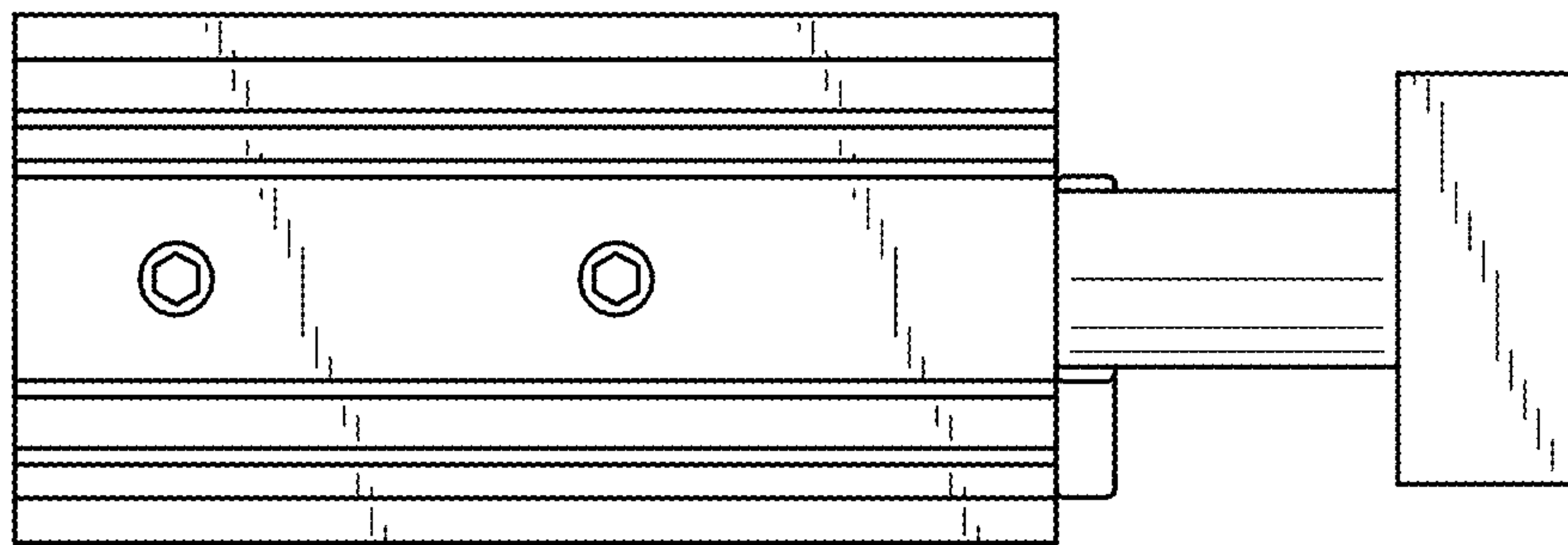


FIG. 25

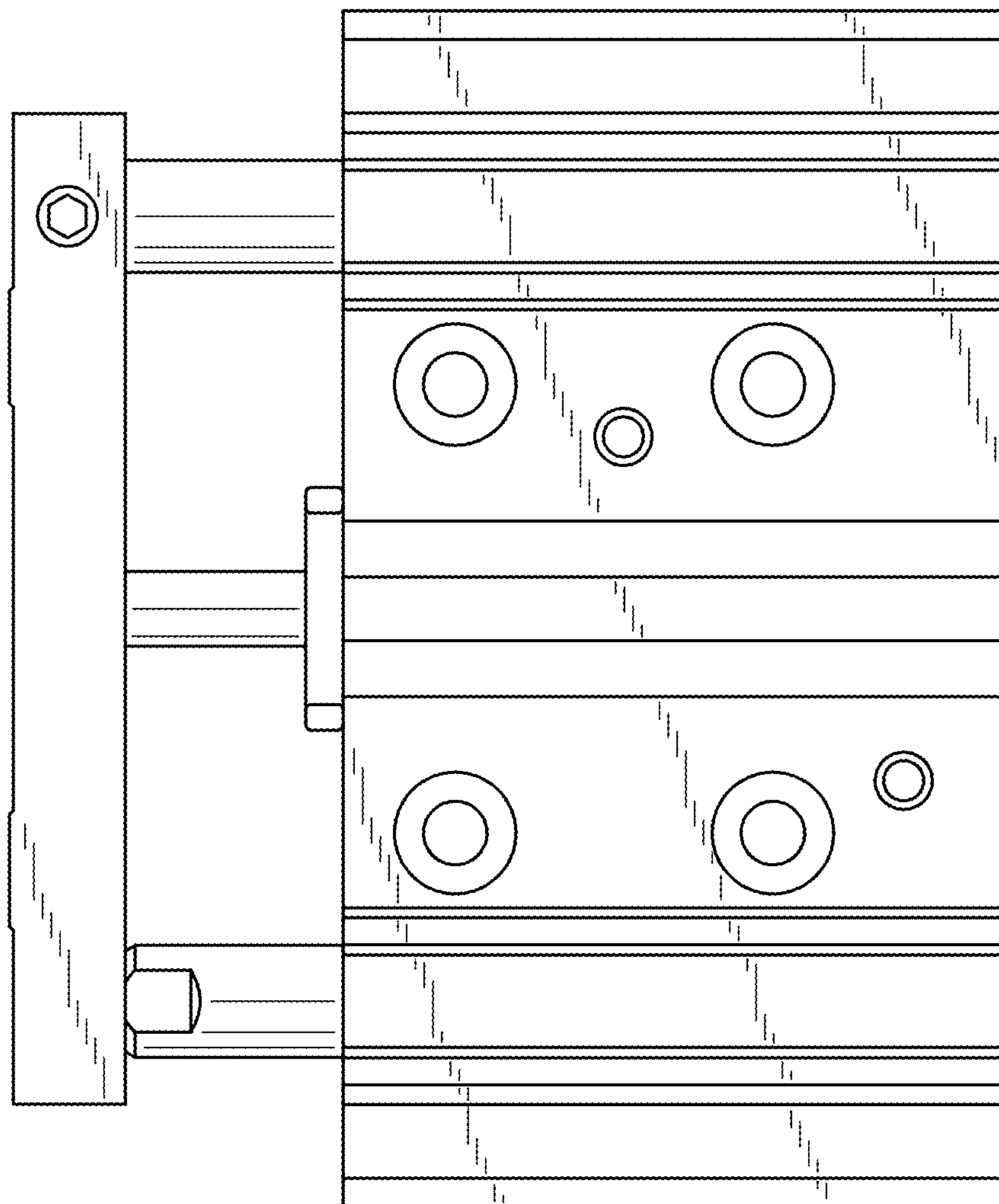


FIG. 26

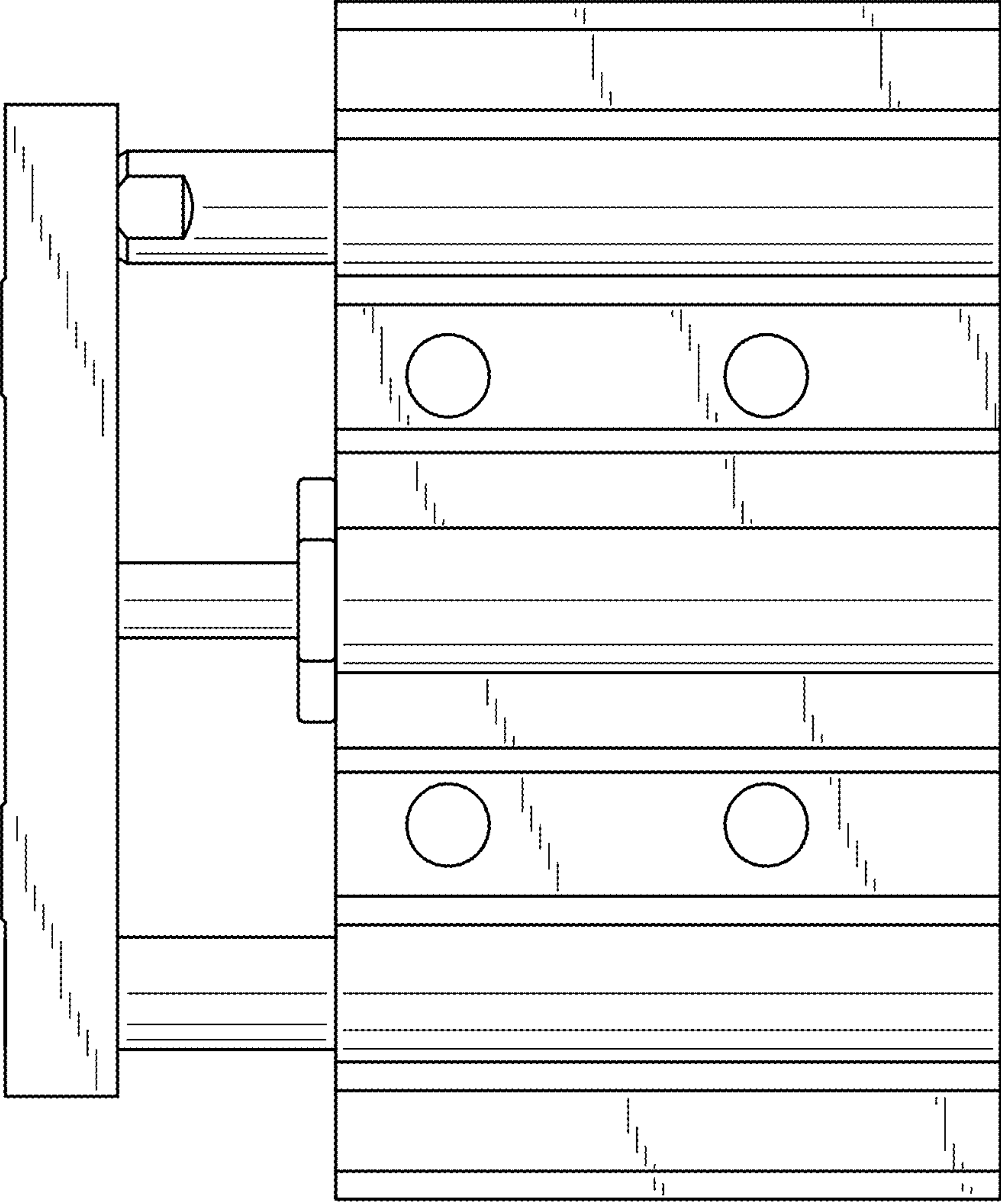


FIG. 27

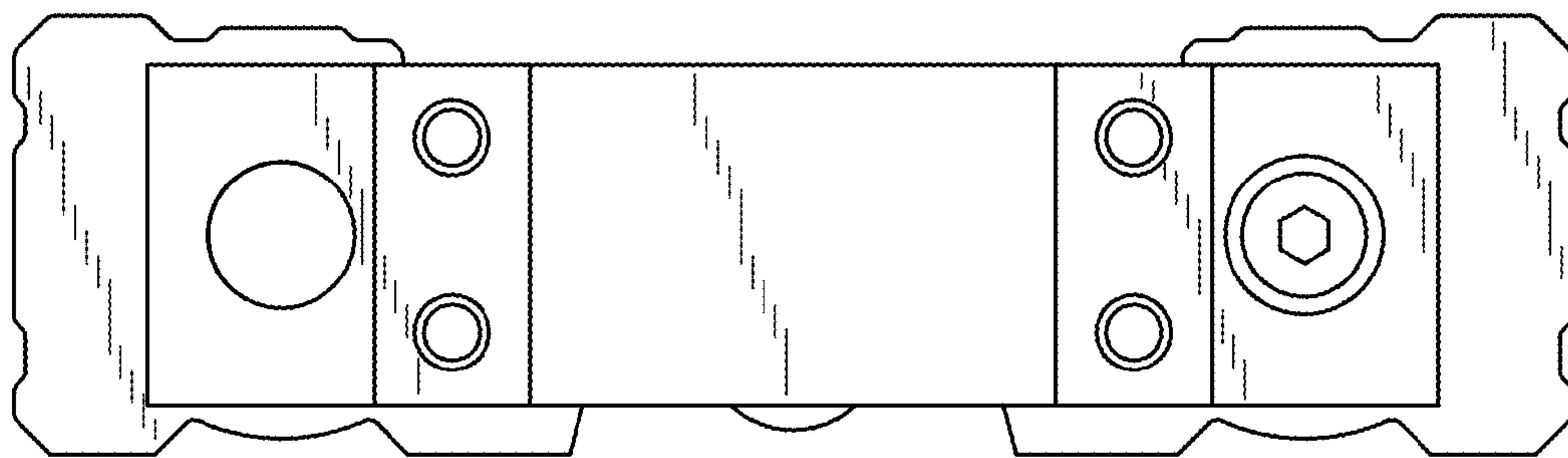


FIG. 28

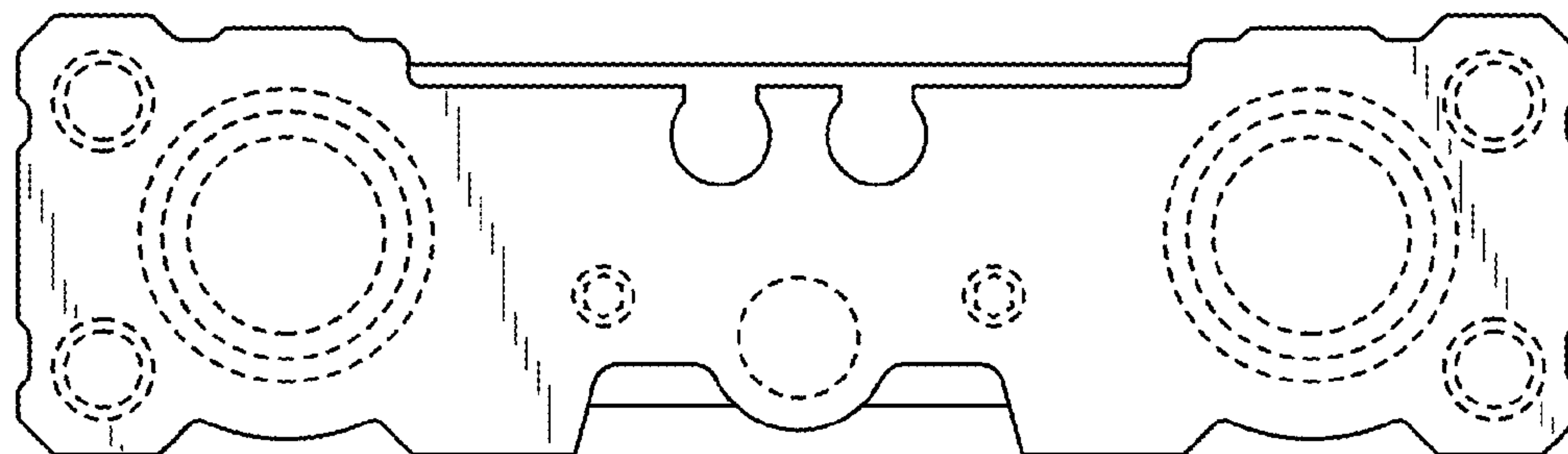


FIG. 29

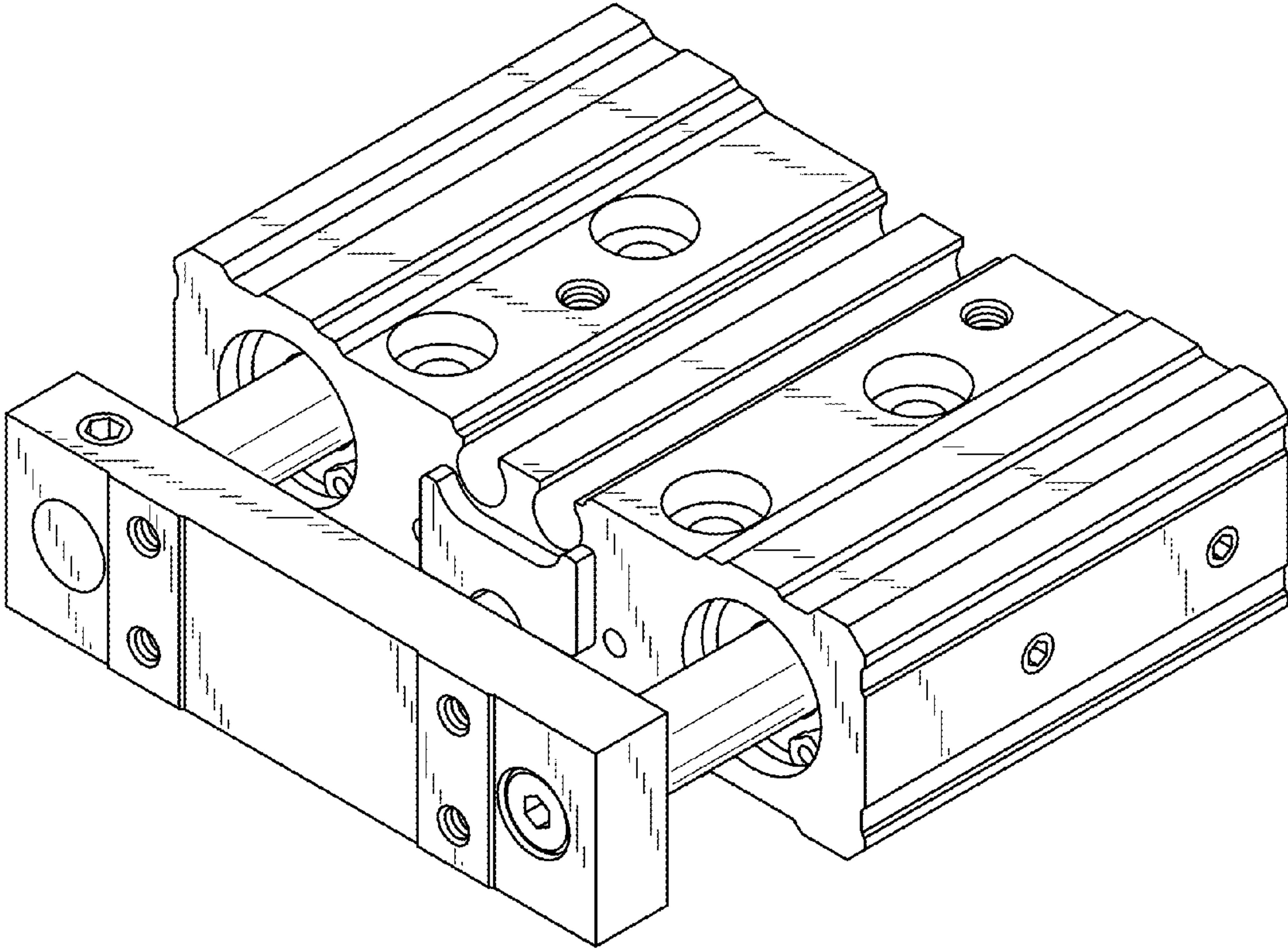


FIG. 30

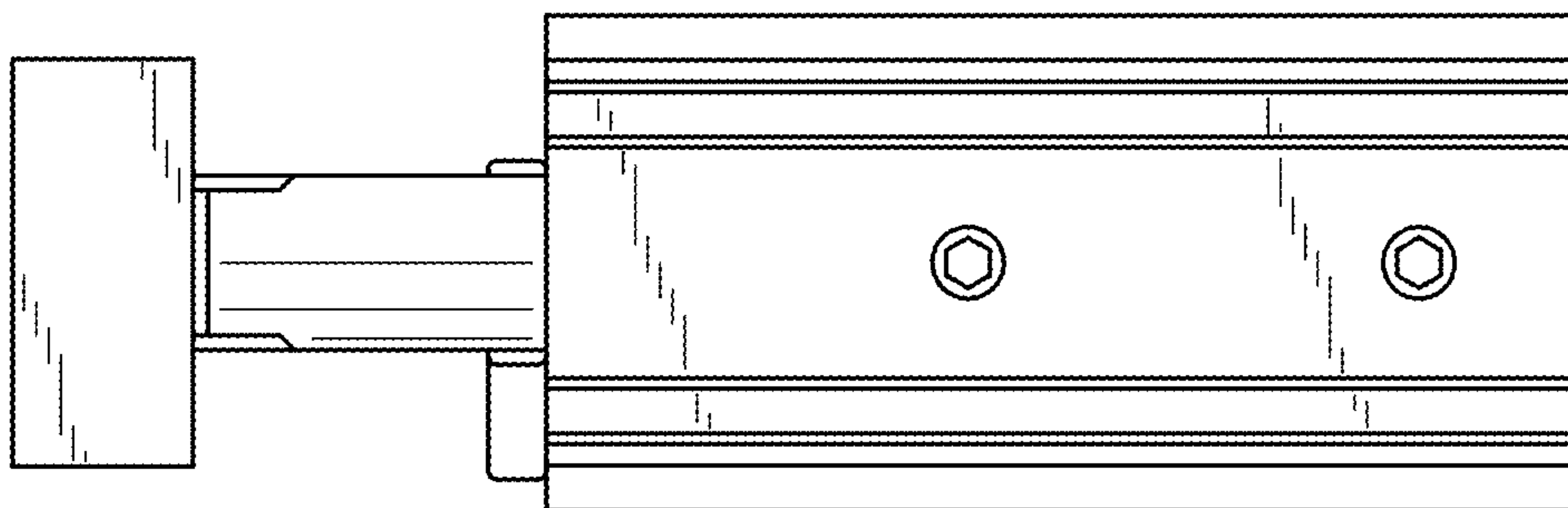


FIG. 31

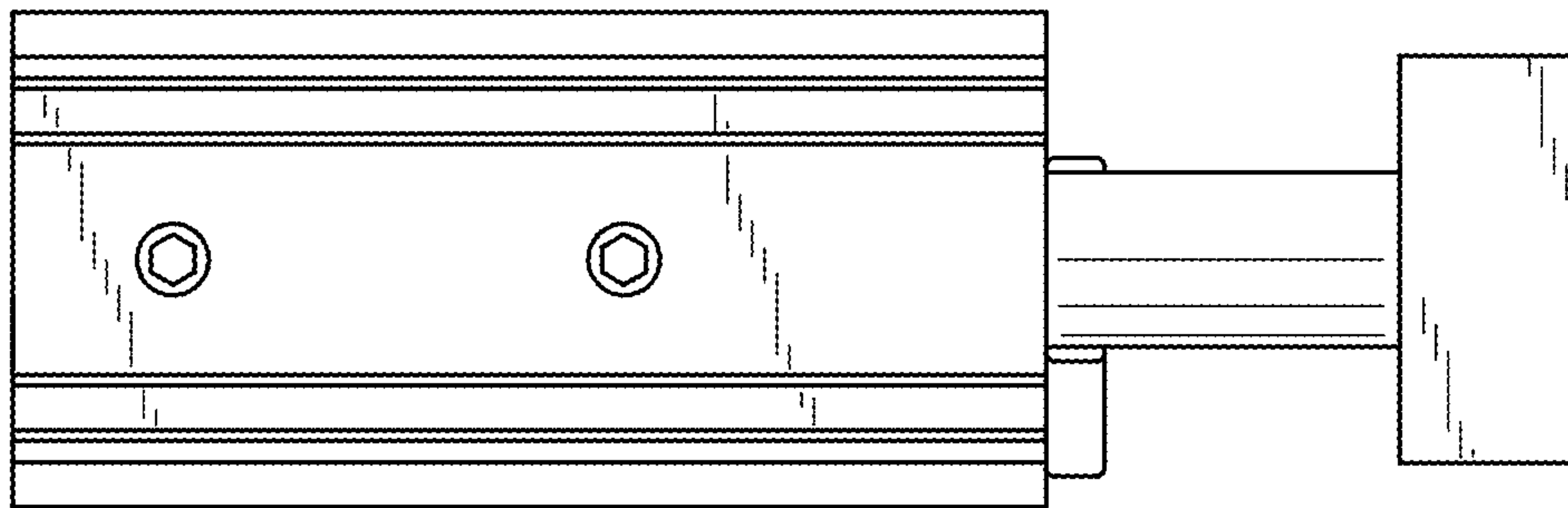


FIG. 32

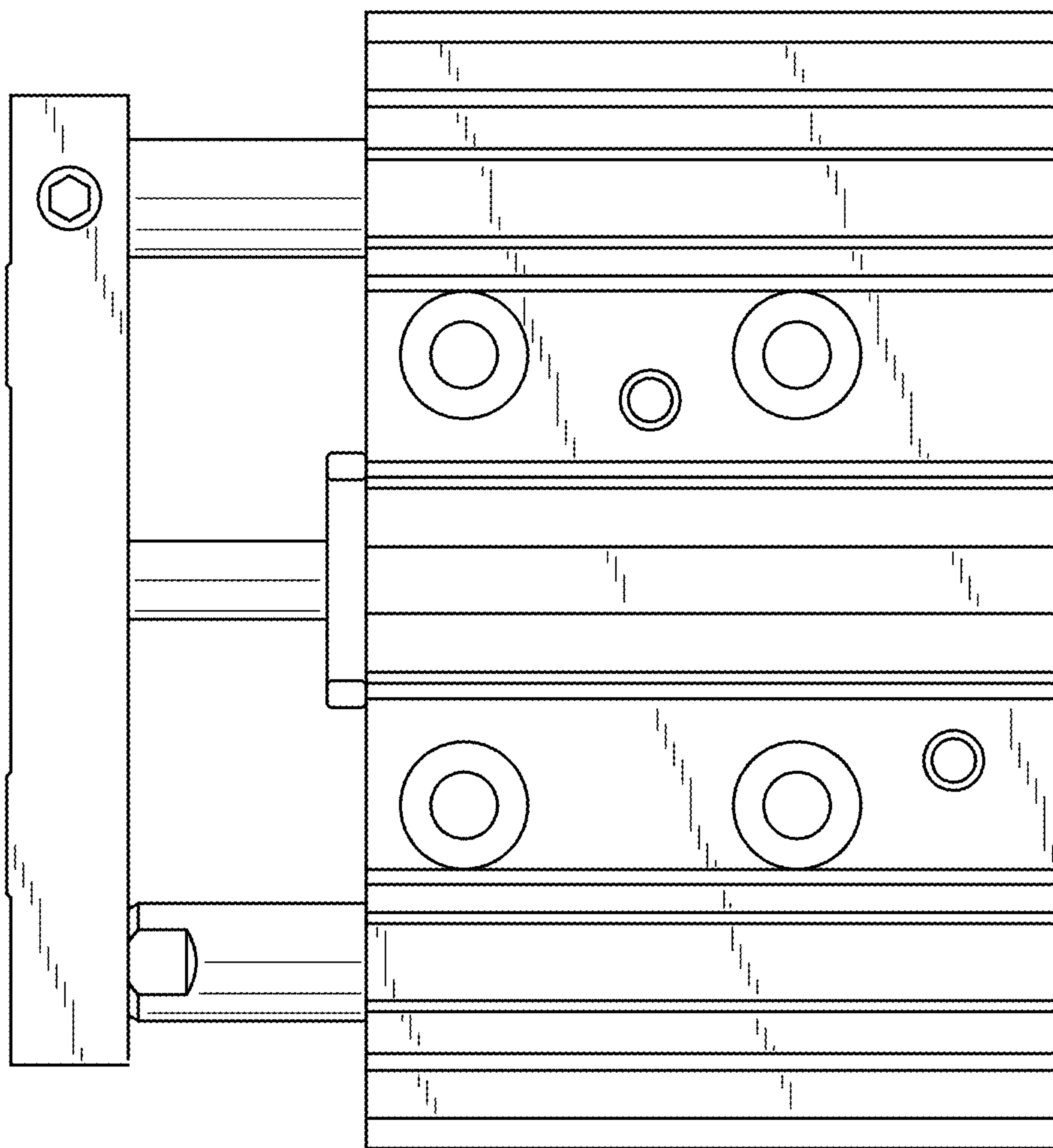


FIG. 33

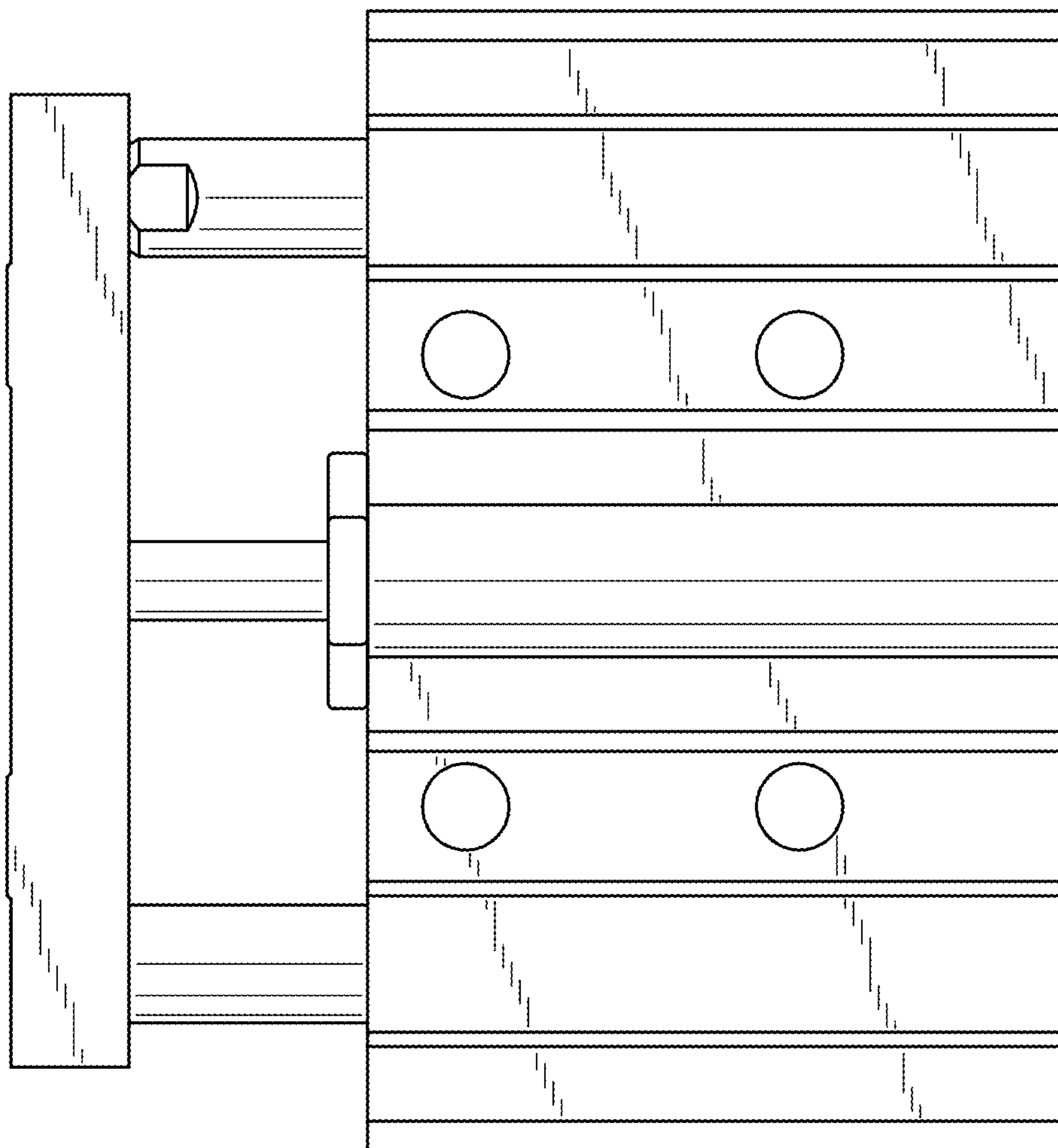


FIG. 34

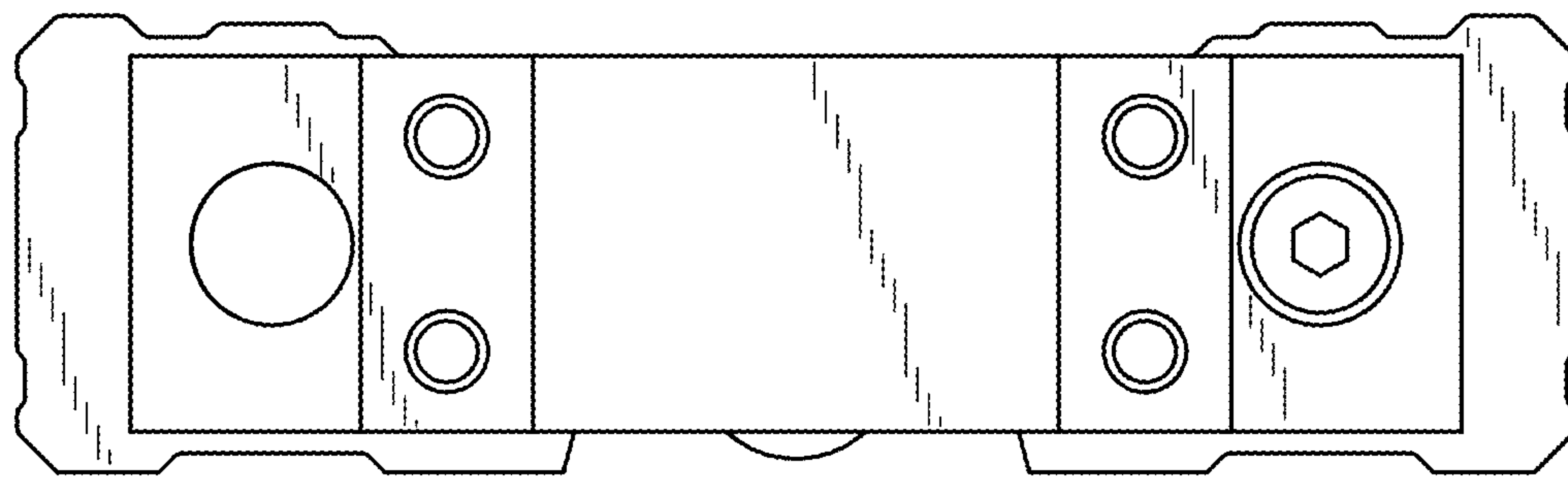


FIG. 35

