

US00D765820S

(12) **United States Design Patent**  
**Schneider**

(10) **Patent No.:** **US D765,820 S**

(45) **Date of Patent:** **\*\* Sep. 6, 2016**

(54) **ELECTRONIC SHOWERHEAD DEVICE**

(71) Applicant: **Evan Schneider**, Piedmont, CA (US)

(72) Inventor: **Evan Schneider**, Piedmont, CA (US)

(\*\*) Term: **15 Years**

(21) Appl. No.: **29/536,002**

(22) Filed: **Aug. 12, 2015**

(51) **LOC (10) Cl.** ..... **23-01**

(52) **U.S. Cl.**  
USPC ..... **D23/213; D23/229**

(58) **Field of Classification Search**  
USPC ..... D23/213, 229, 230; 239/462, 67, 69;  
4/615  
CPC ..... B05B 1/00; B05B 1/18; A01G 25/16;  
E03C 1/055  
See application file for complete search history.

(56) **References Cited**

**U.S. PATENT DOCUMENTS**

D427,662 S \* 7/2000 Coscarelli ..... D23/229  
6,354,518 B1 \* 3/2002 Gil ..... B05B 1/304  
239/458  
8,061,631 B2 \* 11/2011 Lev ..... B05B 1/1636  
239/391  
D712,510 S \* 9/2014 Barry ..... D23/213

8,881,993 B2 \* 11/2014 Lev ..... B05B 1/1636  
239/394  
9,033,261 B2 \* 5/2015 Zhou ..... B05B 1/1636  
239/443  
9,089,859 B2 \* 7/2015 Zhou ..... B05B 15/067  
9,095,860 B2 \* 8/2015 Zhou ..... B05B 1/1609  
9,309,984 B2 \* 4/2016 Cutler ..... F16K 31/002

\* cited by examiner

*Primary Examiner* — Robin V Webster

(74) *Attorney, Agent, or Firm* — AKC Patents, LLC; Aliko K. Collins

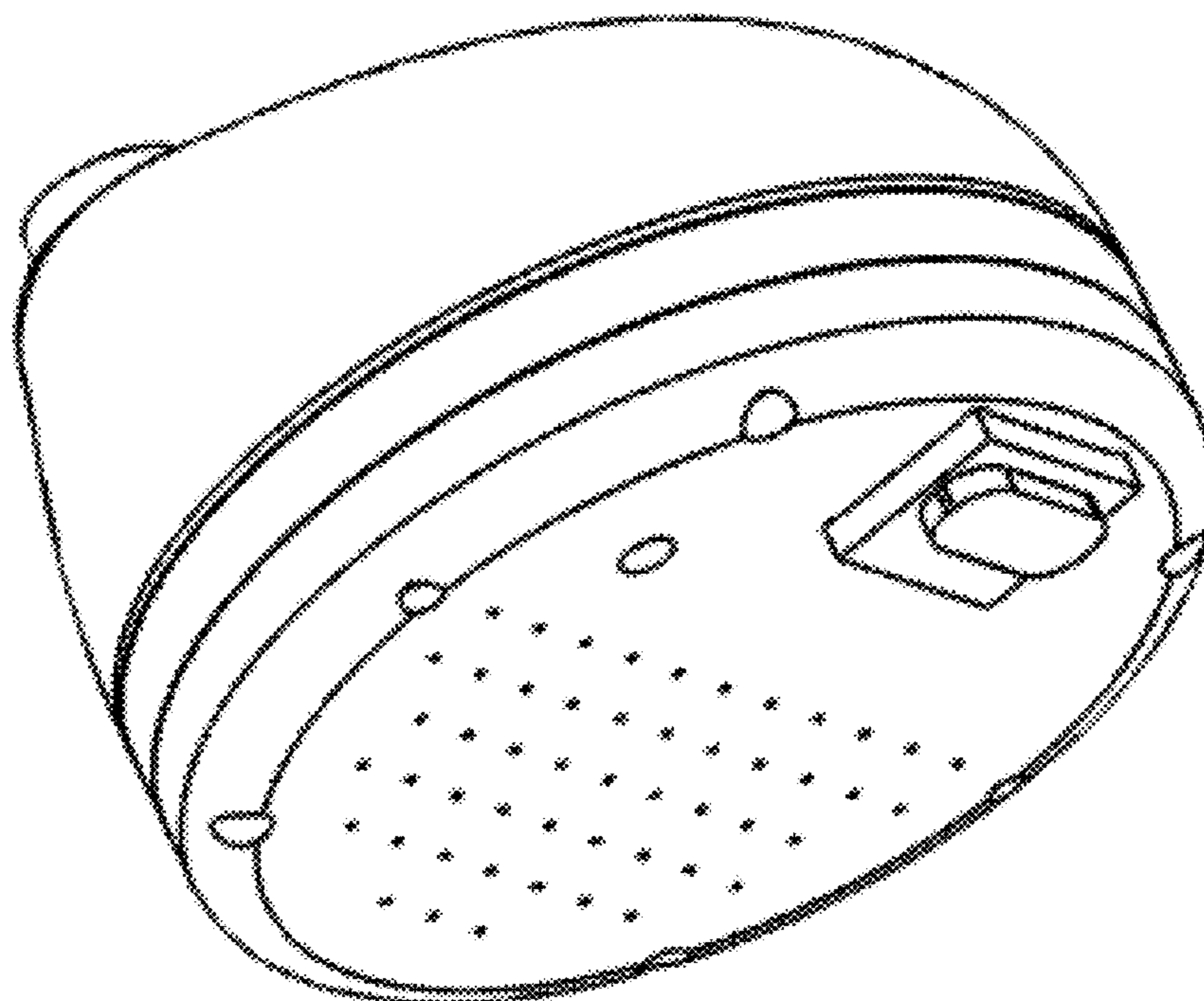
(57) **CLAIM**

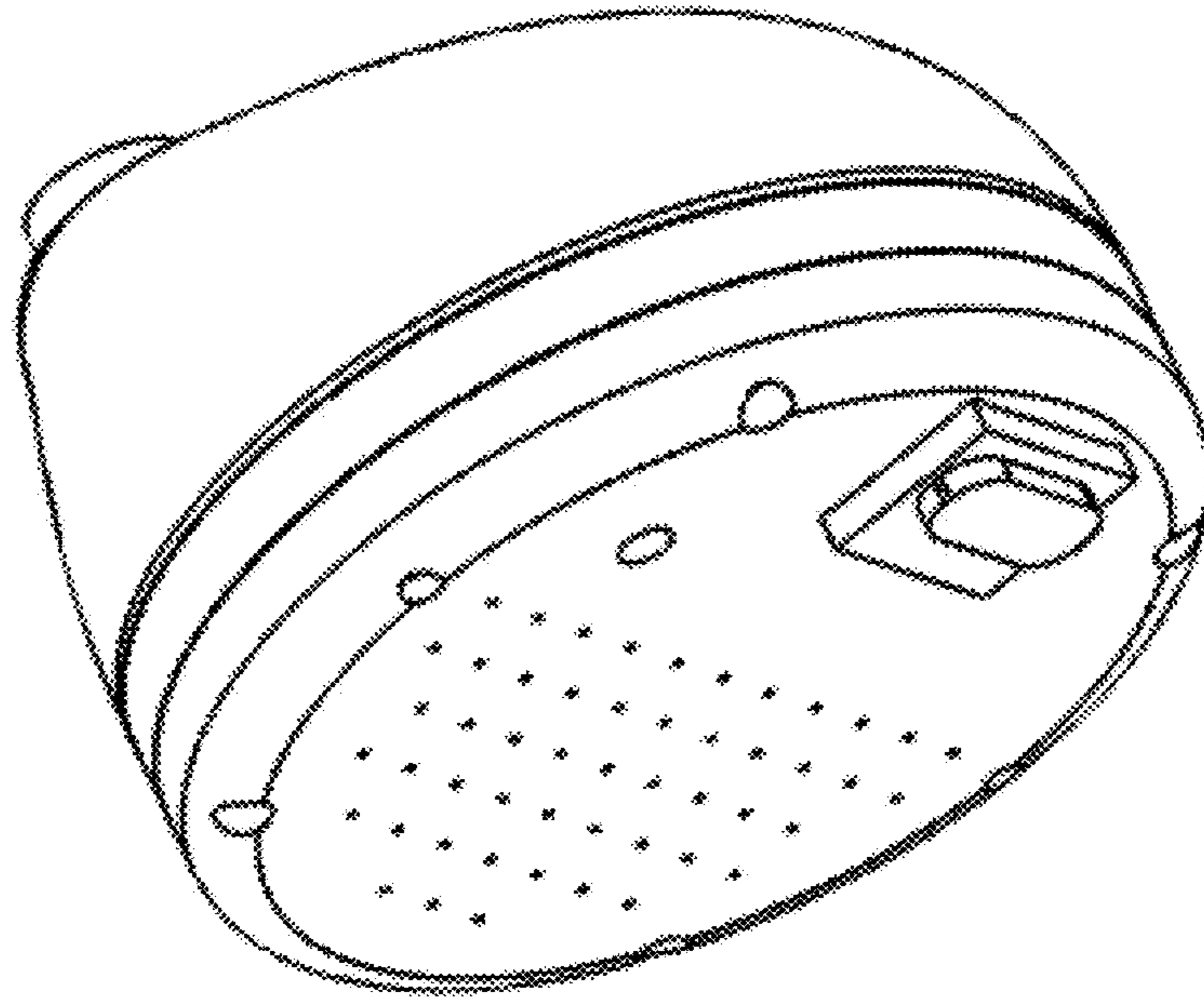
The ornamental design for an electronic showerhead device, as shown and described.

**DESCRIPTION**

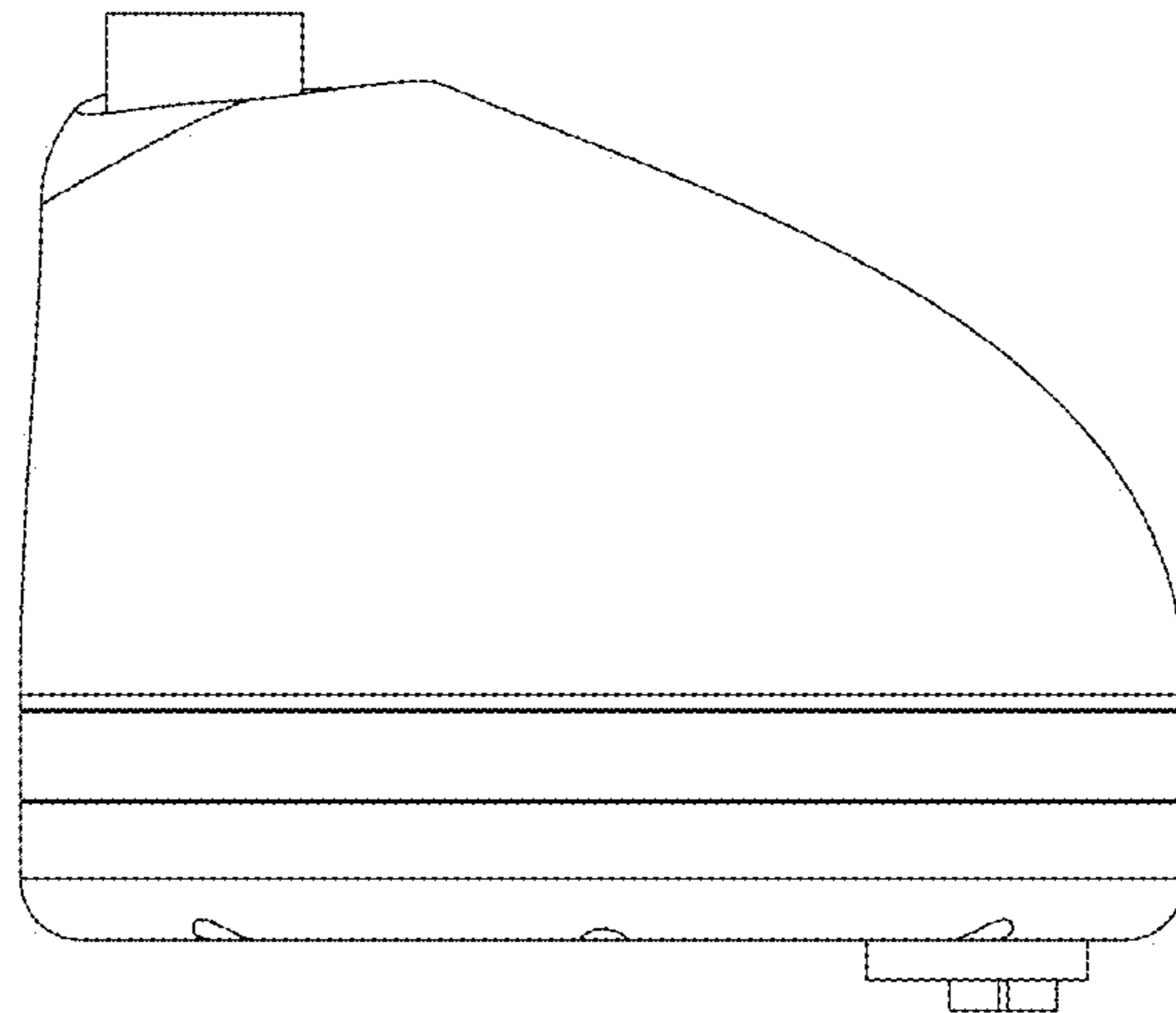
FIG. 1 is a perspective view of the electronic showerhead device;  
FIG. 2 is a side elevational view thereof;  
FIG. 3 is a top perspective view thereof;  
FIG. 4 is a top elevational view of the electronic showerhead device;  
FIG. 5 is a bottom elevational view thereof;  
FIG. 6 is an exploded front elevational view of the electronic showerhead device; and,  
FIG. 7 is an exploded front perspective view of the electronic showerhead device.

**1 Claim, 5 Drawing Sheets**

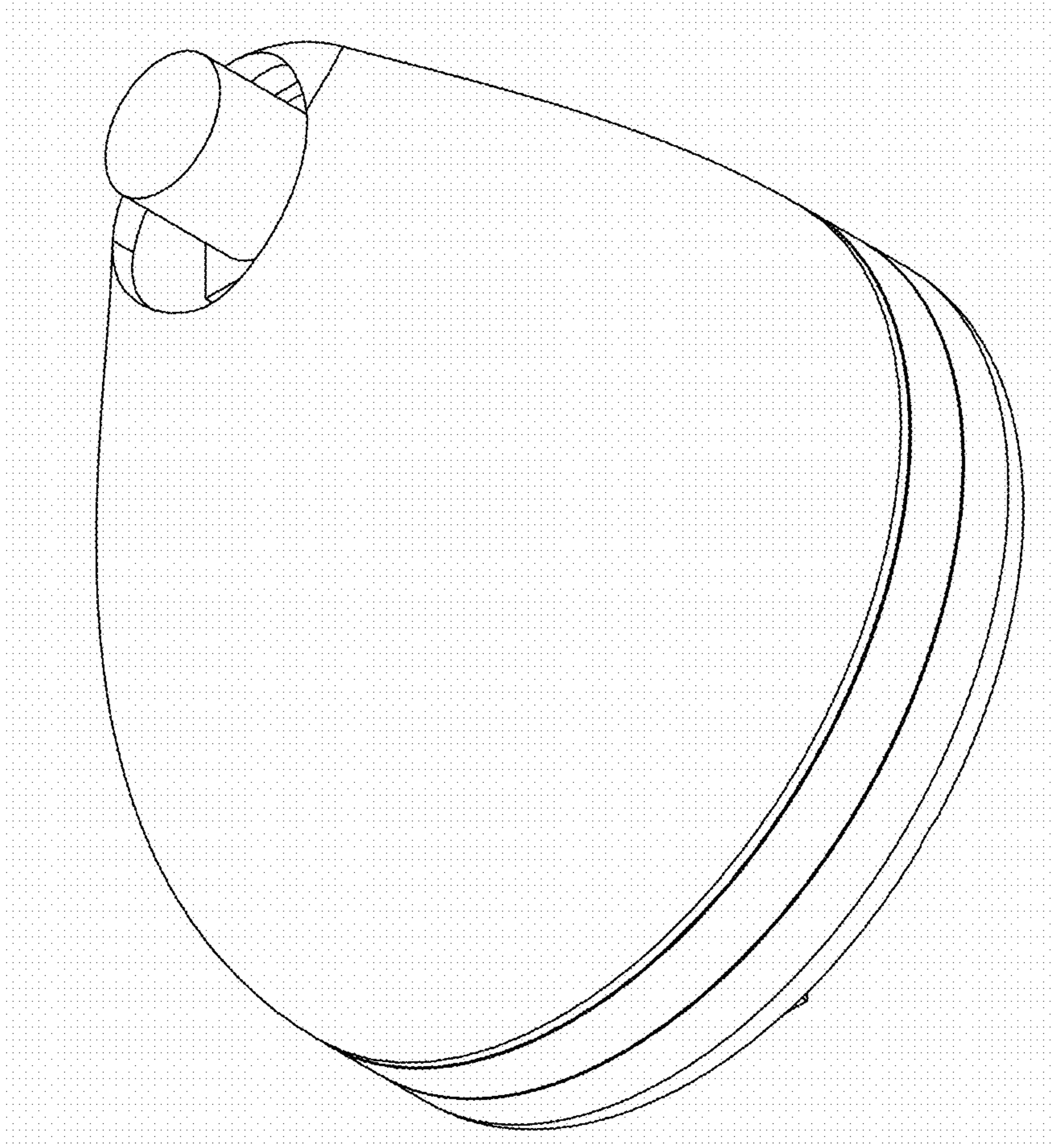




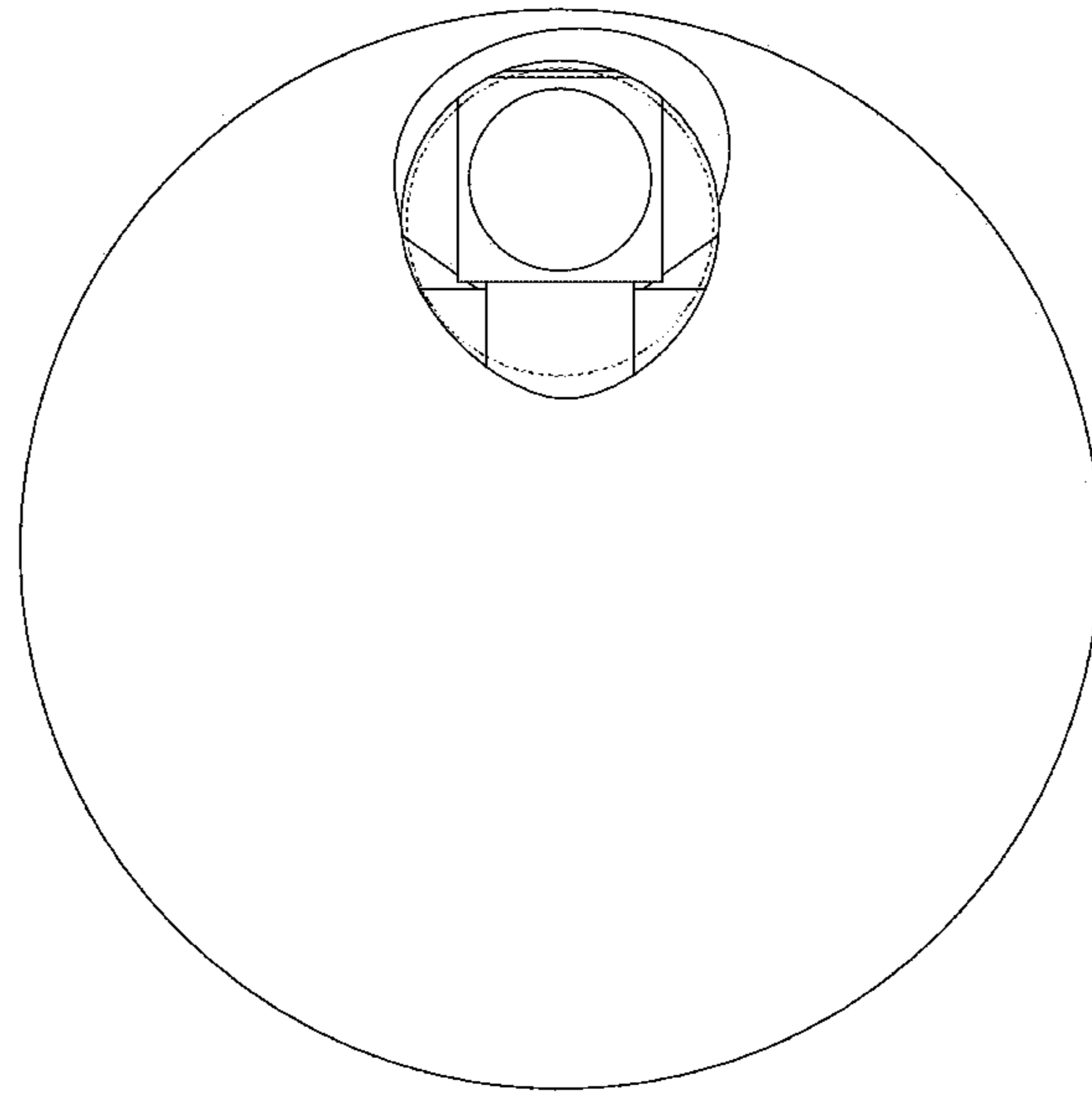
*FIG. 1*



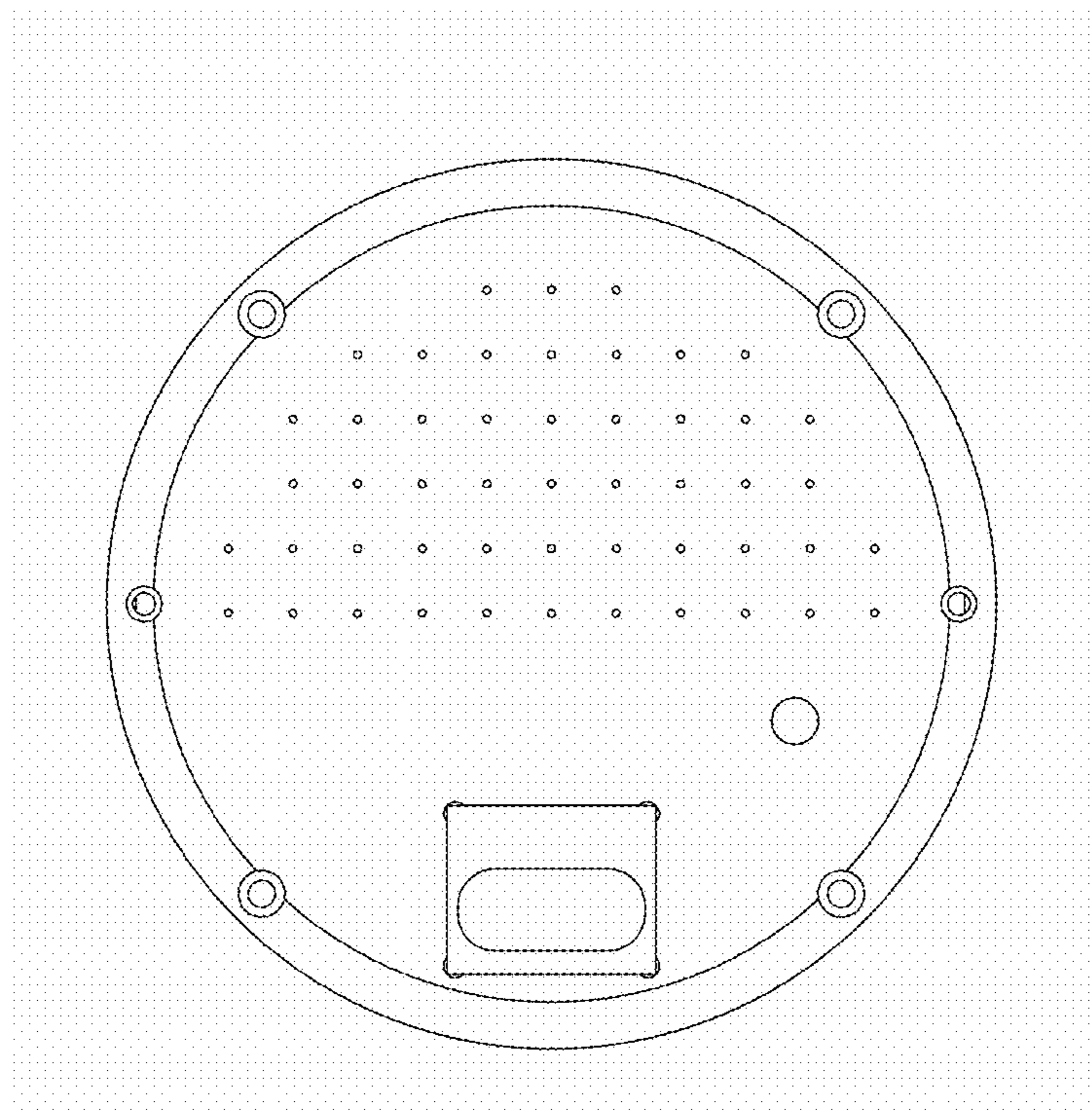
*FIG. 2*



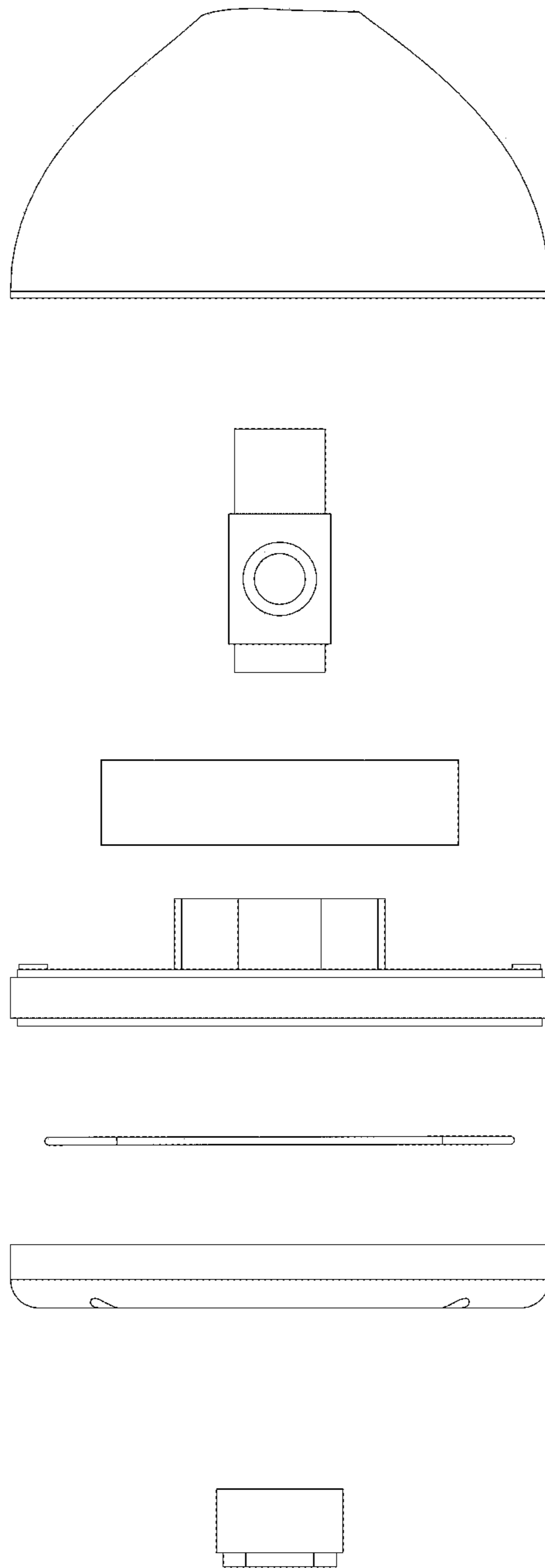
**FIG. 3**



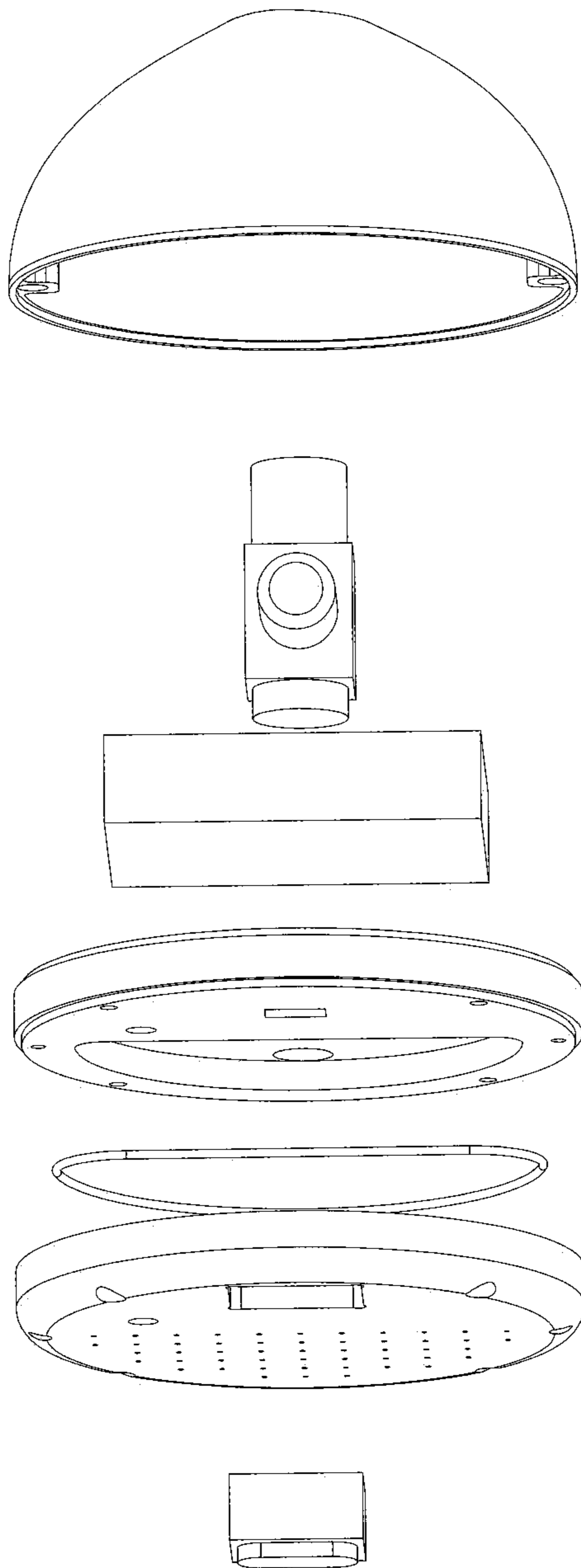
**FIG. 4**



**FIG. 5**



**FIG. 6**



**FIG. 7**