

US00D765818S

(12) **United States Design Patent**
Schoenherr et al.

(10) **Patent No.:** **US D765,818 S**
(45) **Date of Patent:** **** Sep. 6, 2016**

(54) **OVERHEAD SHOWER**
(71) Applicant: **Hansgrohe SE**, Schiltach (DE)
(72) Inventors: **Tom Schoenherr**, Stuttgart (DE);
Matthias Oesterle, Winterbach (DE);
Marco Flaig, Stuttgart (DE)
(73) Assignee: **Hansgrohe SE**, Schiltach (DE)
(**) Term: **15 Years**

D694,358 S * 11/2013 Schoenherr D23/213
D713,496 S * 9/2014 Schoenherr D23/213
D750,201 S * 2/2016 Schoenherr D23/213
D751,174 S * 3/2016 Schoenherr D23/213
D751,176 S * 3/2016 Schoenherr D23/213

FOREIGN PATENT DOCUMENTS

EM 001194005-0001 2/2010
EM 001844911-0001 4/2011
EM 001844911-0017 4/2011
EM 001844911-0019 4/2011
IR DM/086579 6/2015

* cited by examiner

Primary Examiner — Robin V Webster

(74) *Attorney, Agent, or Firm* — Lora J. Graentzdoerffer

(21) Appl. No.: **29/534,175**
(22) Filed: **Jul. 27, 2015**
(30) **Foreign Application Priority Data**
Feb. 4, 2015 (EM) 002626663-0003
(51) **LOC (10) Cl.** **23-01**
(52) **U.S. Cl.**
USPC **D23/213**
(58) **Field of Classification Search**
USPC D23/213, 229, 230; 239/462; 4/615
CPC B05B 1/00; B05B 1/18
See application file for complete search history.

(57) **CLAIM**

The ornamental design for an overhead shower, as shown and described.

DESCRIPTION

FIG. 1 is a perspective view of an overhead shower showing our design;
FIG. 2 is a front elevation view;
FIG. 3 is a rear elevation view;
FIG. 4 is a right side elevation view; the left side elevation view being a mirror image;
FIG. 5 is a top plan view; and,
FIG. 6 is a bottom plan view.

The broken-line disclosure in the views represents portions of the overhead shower in which the claimed design is embodied, but which form no part of the claimed design.

1 Claim, 6 Drawing Sheets

(56) **References Cited**
U.S. PATENT DOCUMENTS
D590,476 S * 4/2009 Schonherr D23/213
D594,928 S * 6/2009 Beschi D23/213
D612,008 S * 3/2010 Schoenherr D23/213
D626,194 S * 10/2010 Kakihana D23/213
D628,270 S * 11/2010 Hanna D23/213
D656,222 S * 3/2012 Su D23/213

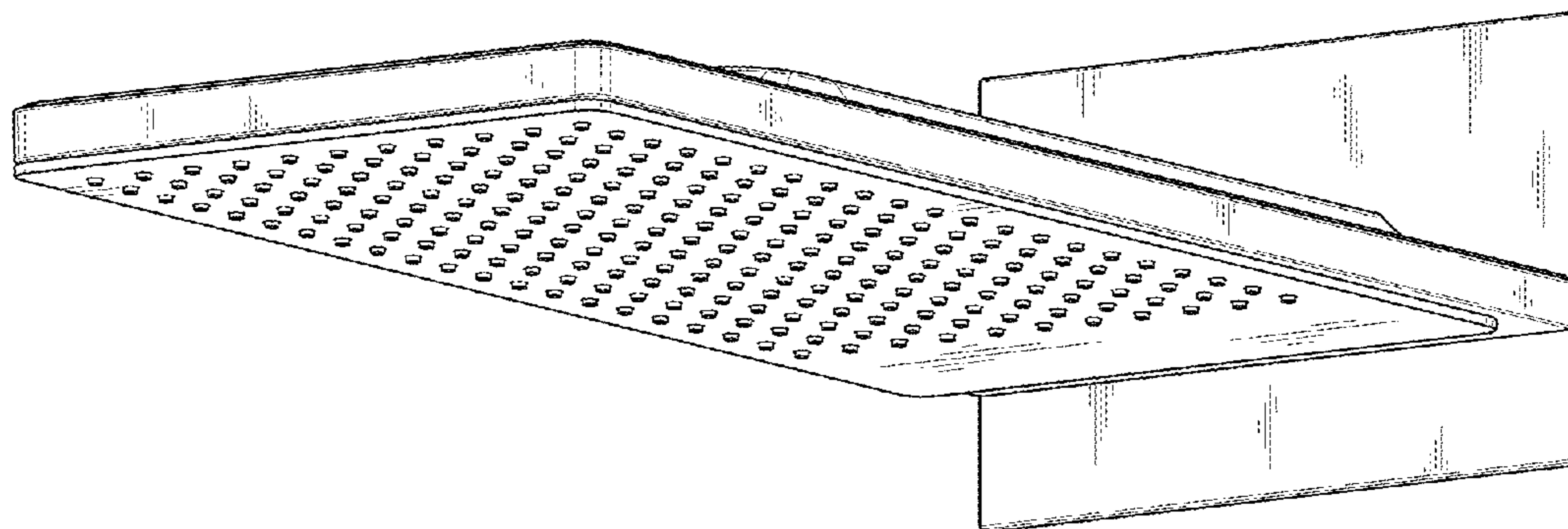


FIG. 1

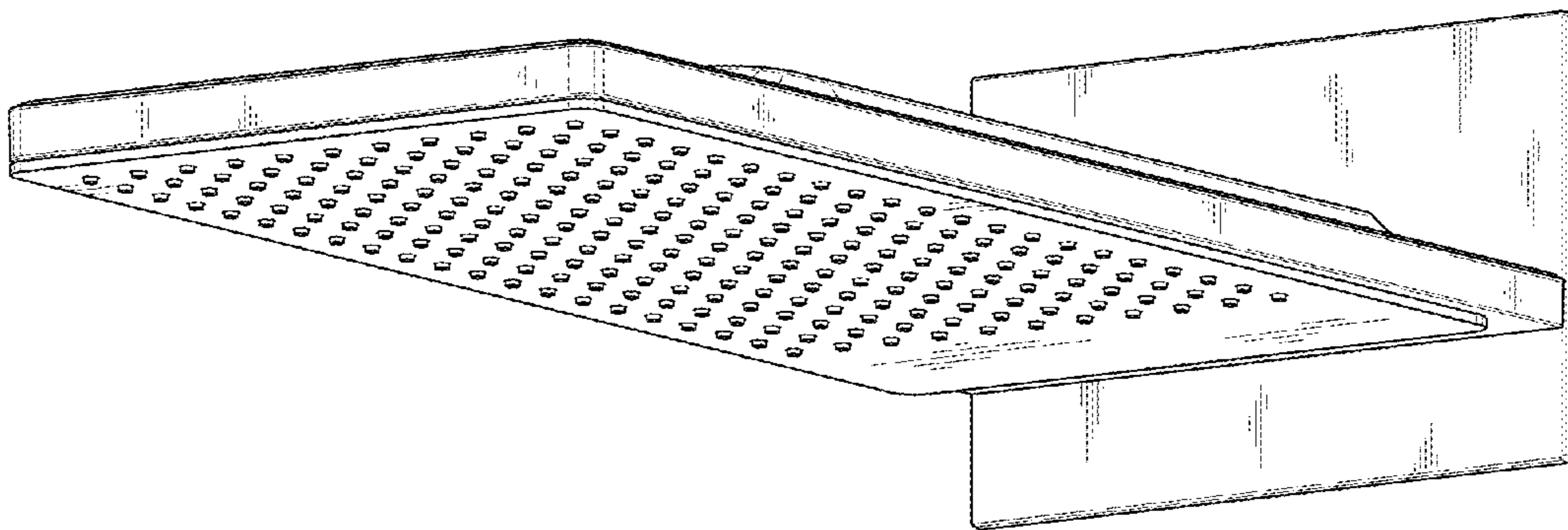


FIG. 2

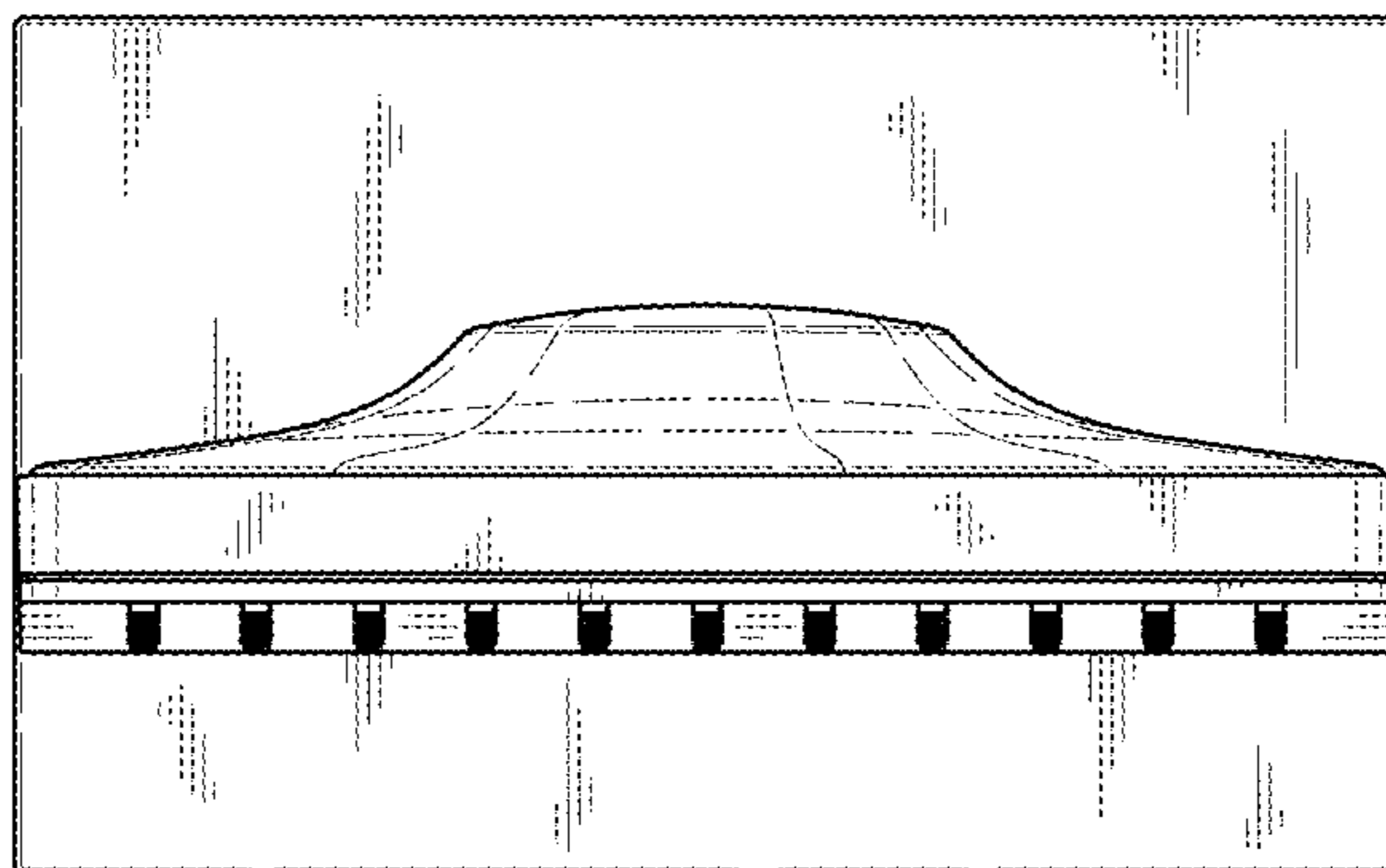


FIG. 3

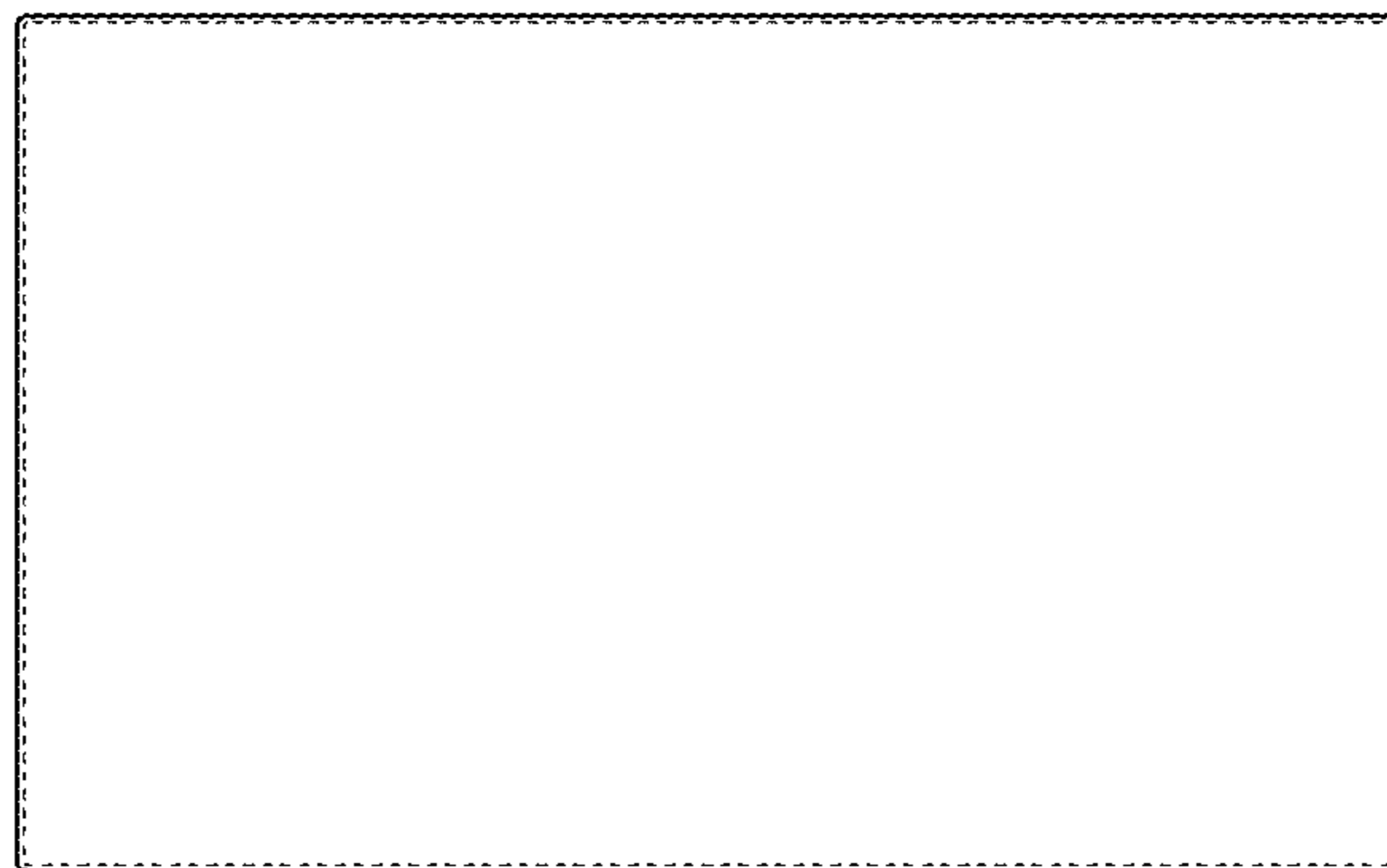


FIG. 4

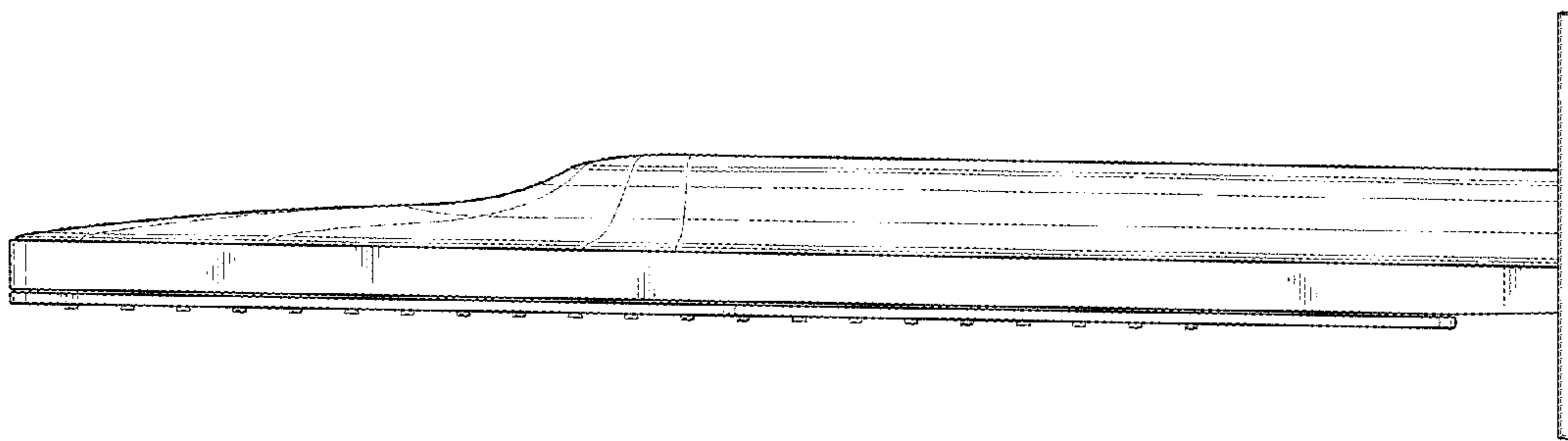


FIG. 5

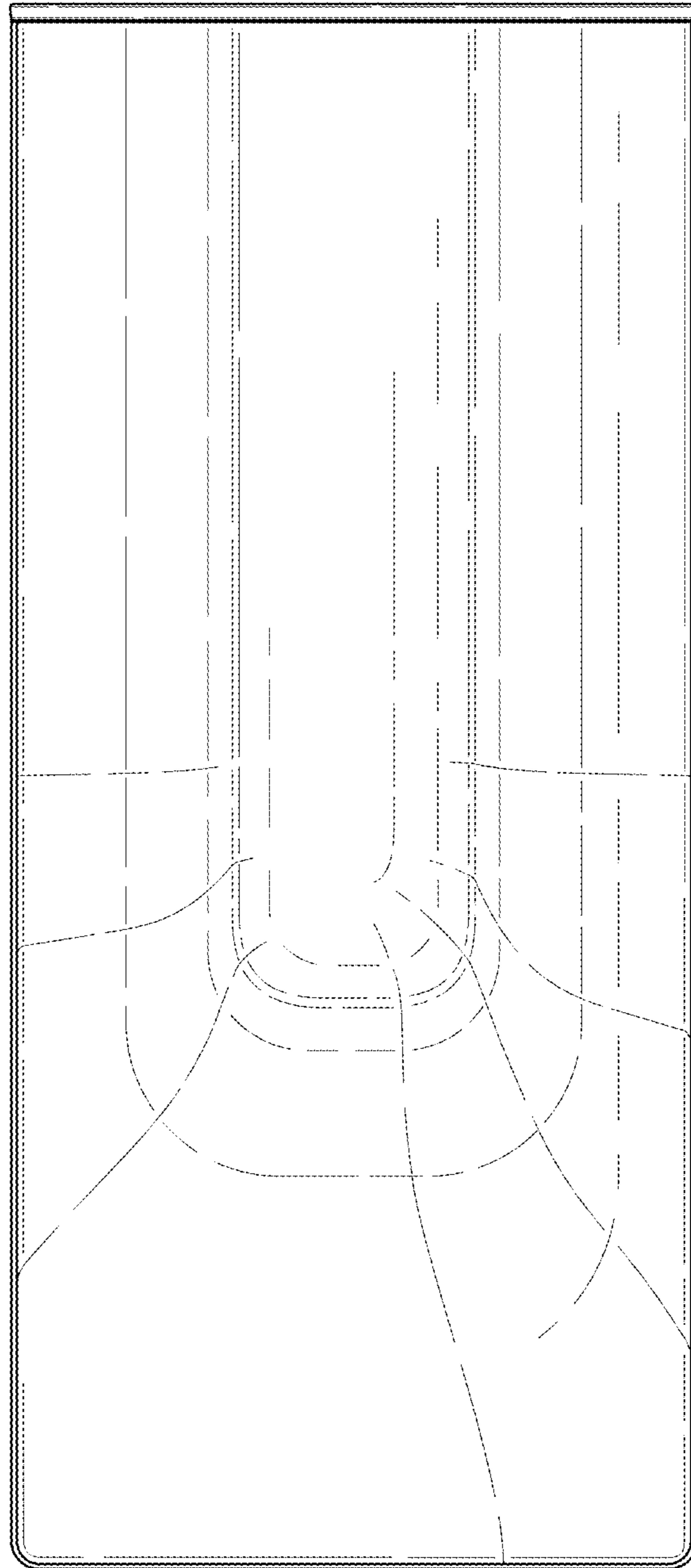


FIG. 6

