



US00D765817S

(12) **United States Design Patent**
Gerhards

(10) **Patent No.:** **US D765,817 S**

(45) **Date of Patent:** **** Sep. 6, 2016**

(54) **FLUSHING SYSTEM FOR WATER CLOSETS**

CPC E03D 9/02; E03D 9/032
See application file for complete search history.

(71) Applicant: **Henkel AG & Co. KGaA**, Duesseldorf (DE)

(56) **References Cited**

(72) Inventor: **Katja Gerhards**, Duesseldorf (DE)

U.S. PATENT DOCUMENTS

(73) Assignee: **Henkel AG & Co. KGaA**, Duesseldorf (DE)

D308,409 S 6/1990 Hoyt et al.
D355,474 S 2/1995 Kearnes et al.
6,625,821 B2 9/2003 Lhoste
D508,549 S 8/2005 Keramidas
8,099,800 B2 1/2012 Sawalski et al.
D698,414 S 1/2014 Bruining et al.

(**) Term: **15 Years**

(21) Appl. No.: **29/550,664**

Primary Examiner — Robin V Webster

(22) Filed: **Jan. 6, 2016**

(74) *Attorney, Agent, or Firm* — P. Scott Smith

Related U.S. Application Data

(60) Continuation of application No. 29/535,683, filed on Aug. 10, 2015, now Pat. No. Des. 750,200, which is a division of application No. 29/507,019, filed on Oct. 23, 2014, now Pat. No. Des. 738,990, which is a division of application No. 29/468,214, filed on Sep. 27, 2013, now Pat. No. Des. 721,784.

(57) **CLAIM**

The ornamental design for a flushing system for water closets, as shown and described.

DESCRIPTION

(30) **Foreign Application Priority Data**

Apr. 12, 2013 (EM) 002219287

(51) **LOC (10) Cl.** **23-01**

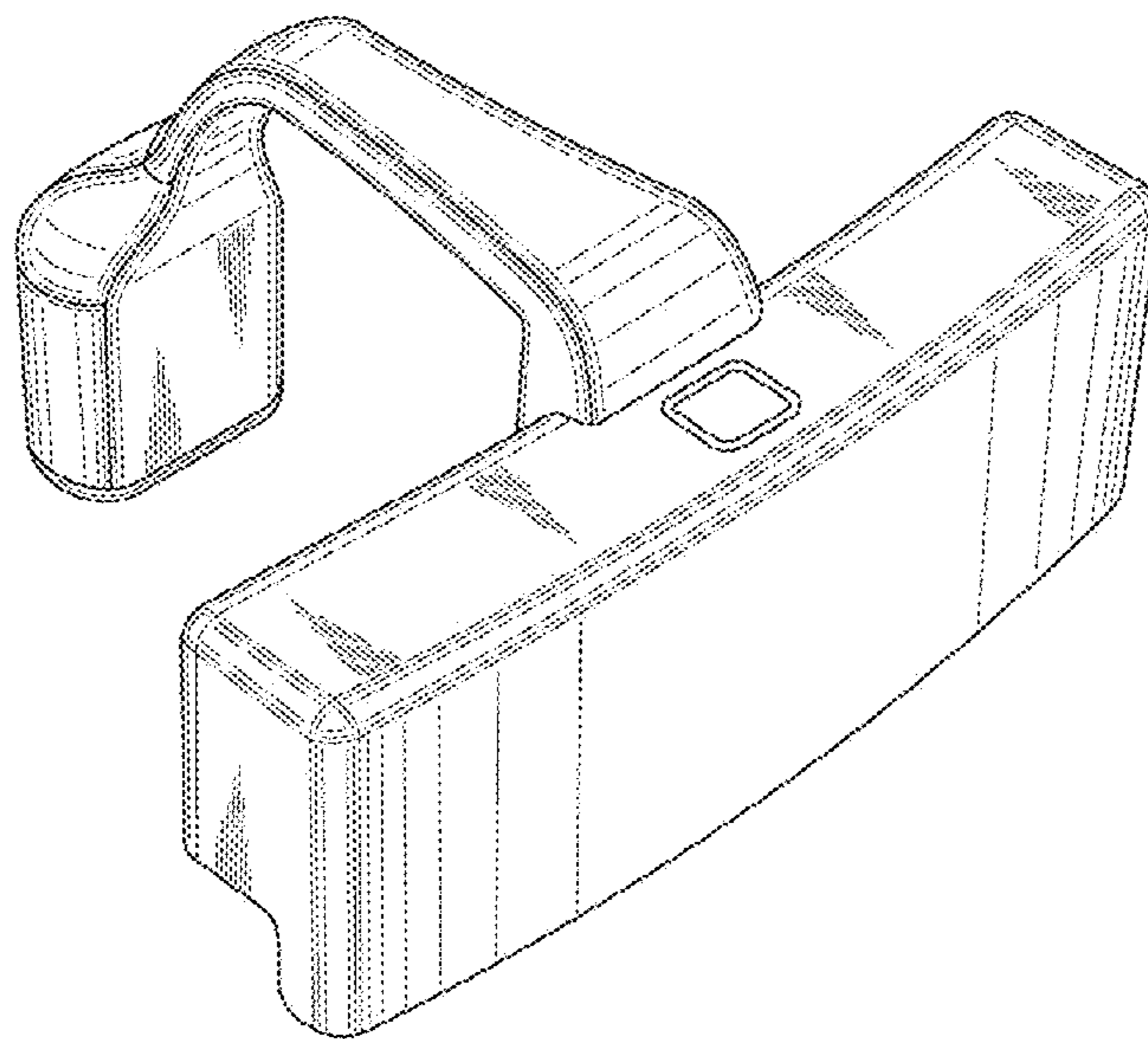
(52) **U.S. Cl.**
USPC **D23/208**

(58) **Field of Classification Search**
USPC D23/207, 208; 4/223, 225.1, 227.1, 4/231, 232

FIG. 1 is a front perspective view of a flushing system for water closets embodying my new design;
FIG. 2 is a front side elevation view thereof;
FIG. 3 is a rear side elevation view thereof;
FIG. 4 is a right side elevation view thereof;
FIG. 5 is a left side elevation view thereof;
FIG. 6 is a top plan view thereof; and,
FIG. 7 is a bottom plan view thereof.

The broken line showing is included for the purpose of illustrating and forms no part of the claimed design.

1 Claim, 5 Drawing Sheets



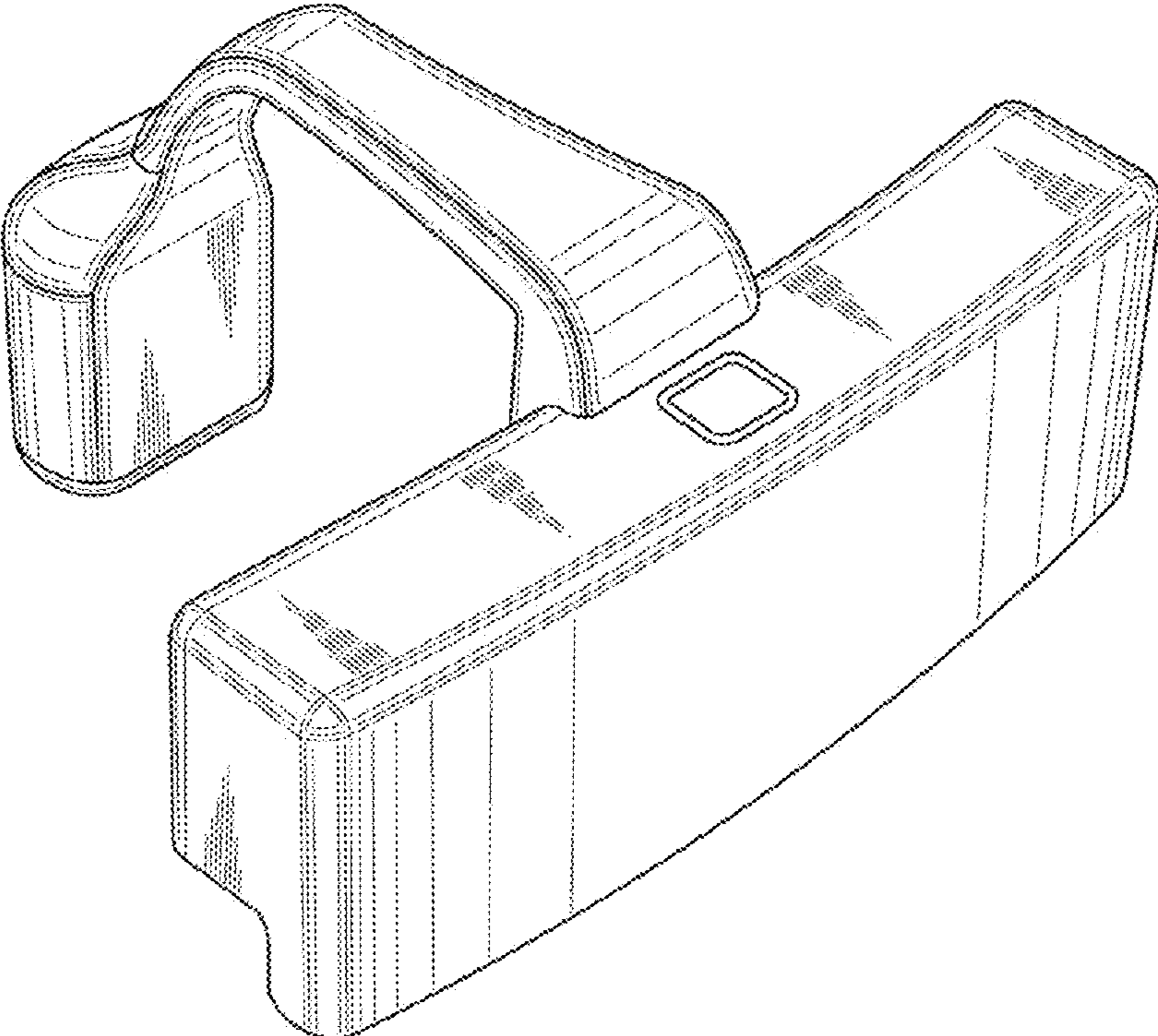


FIG. 1

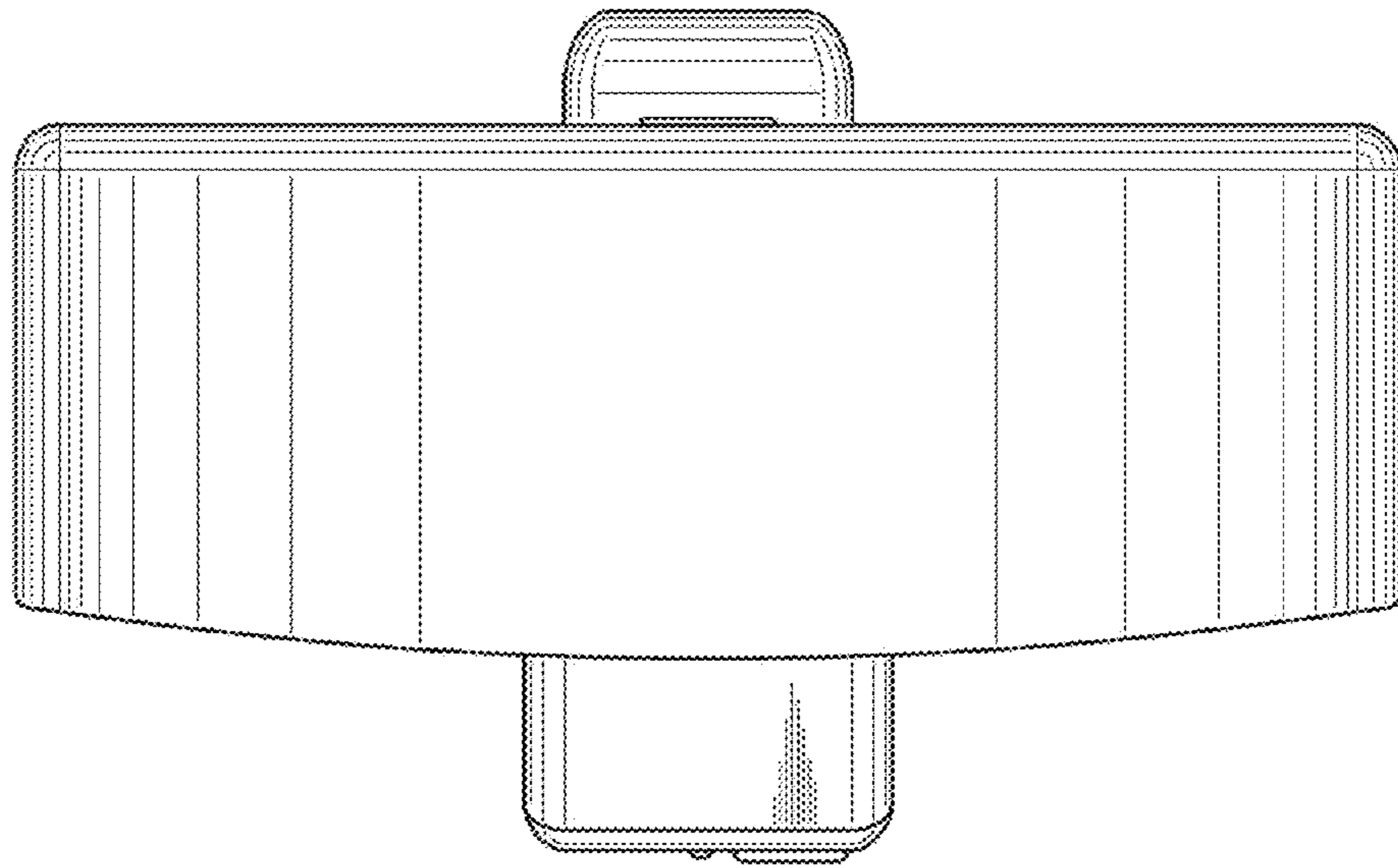


FIG. 2

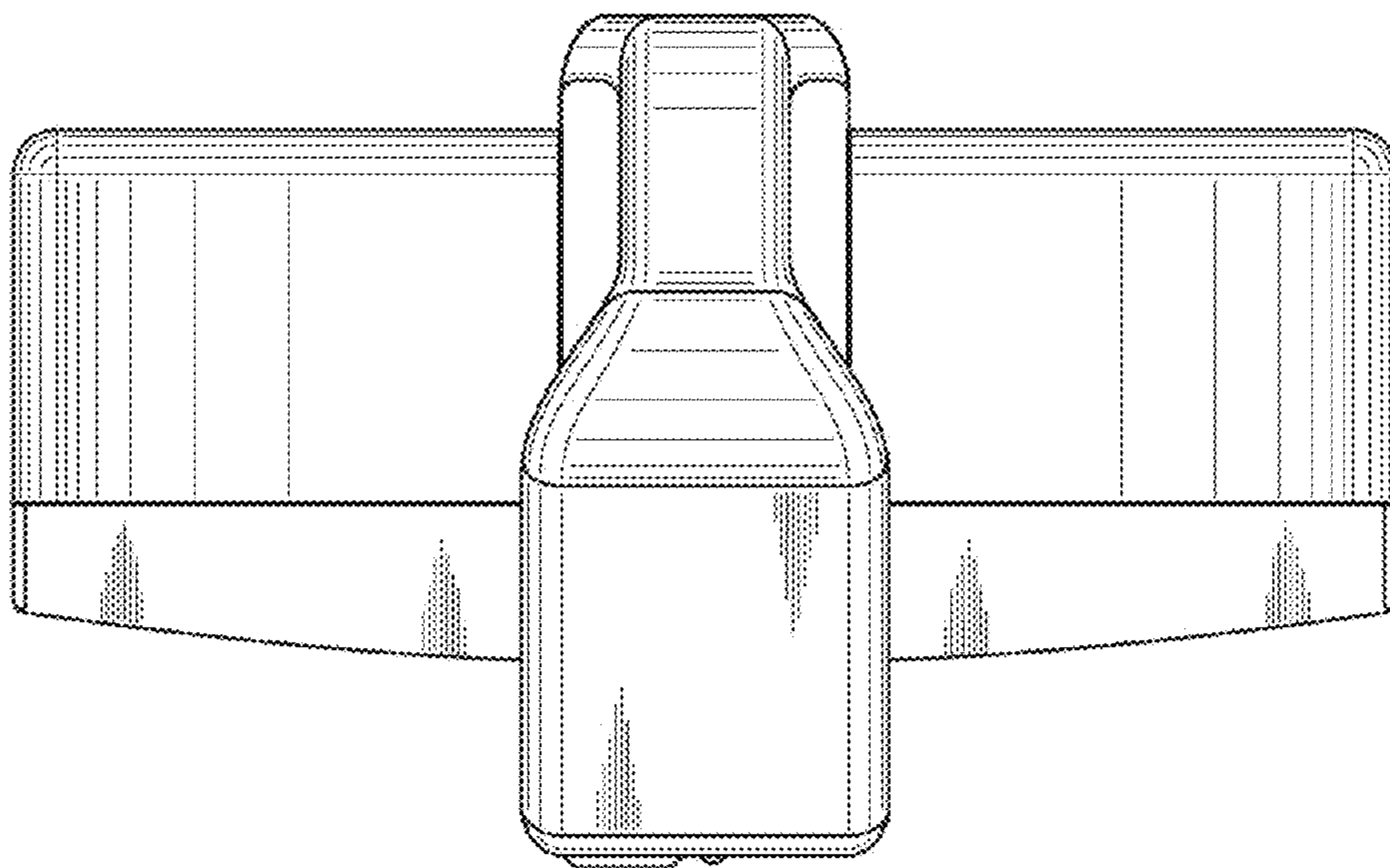


FIG. 3

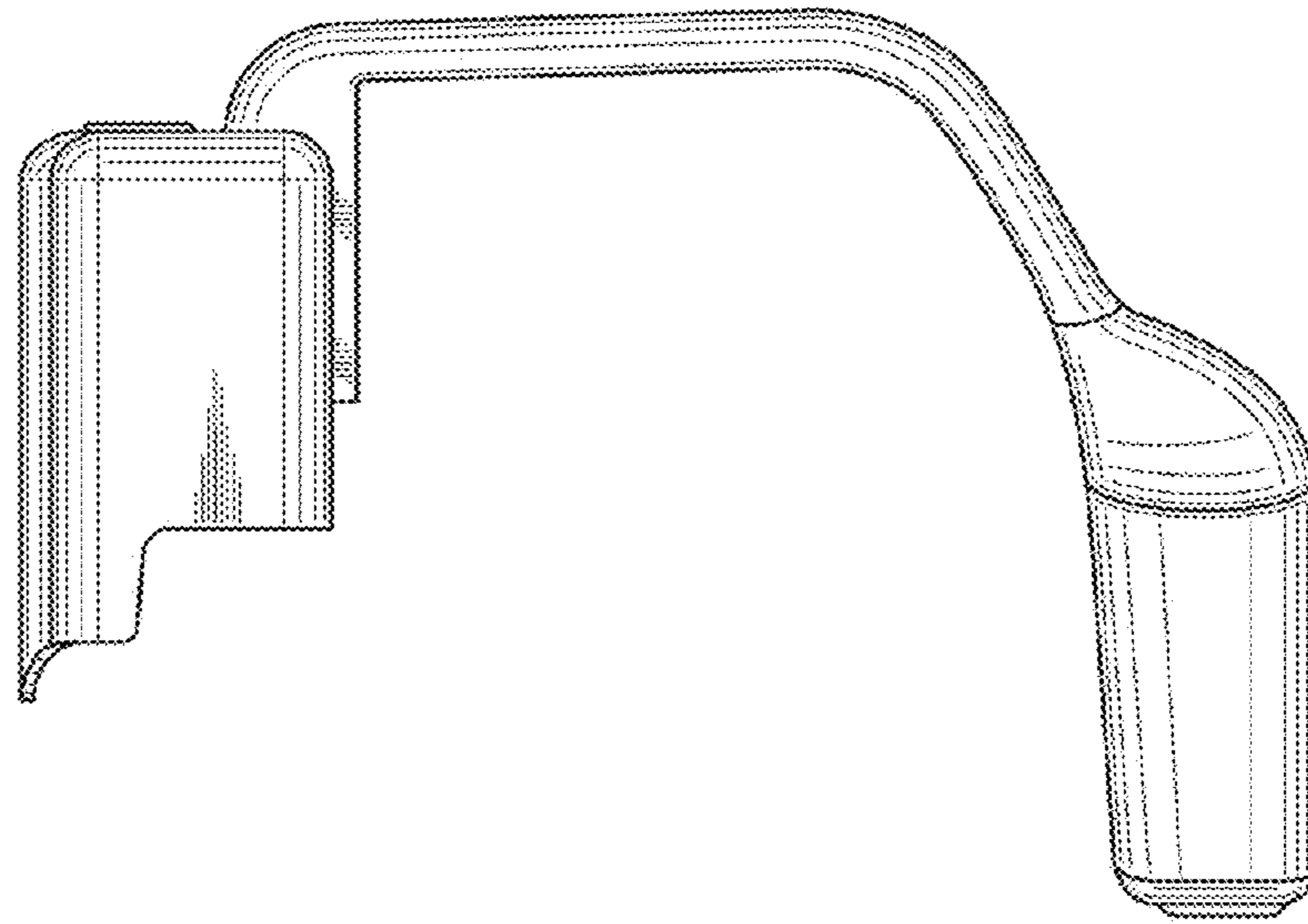


FIG. 4

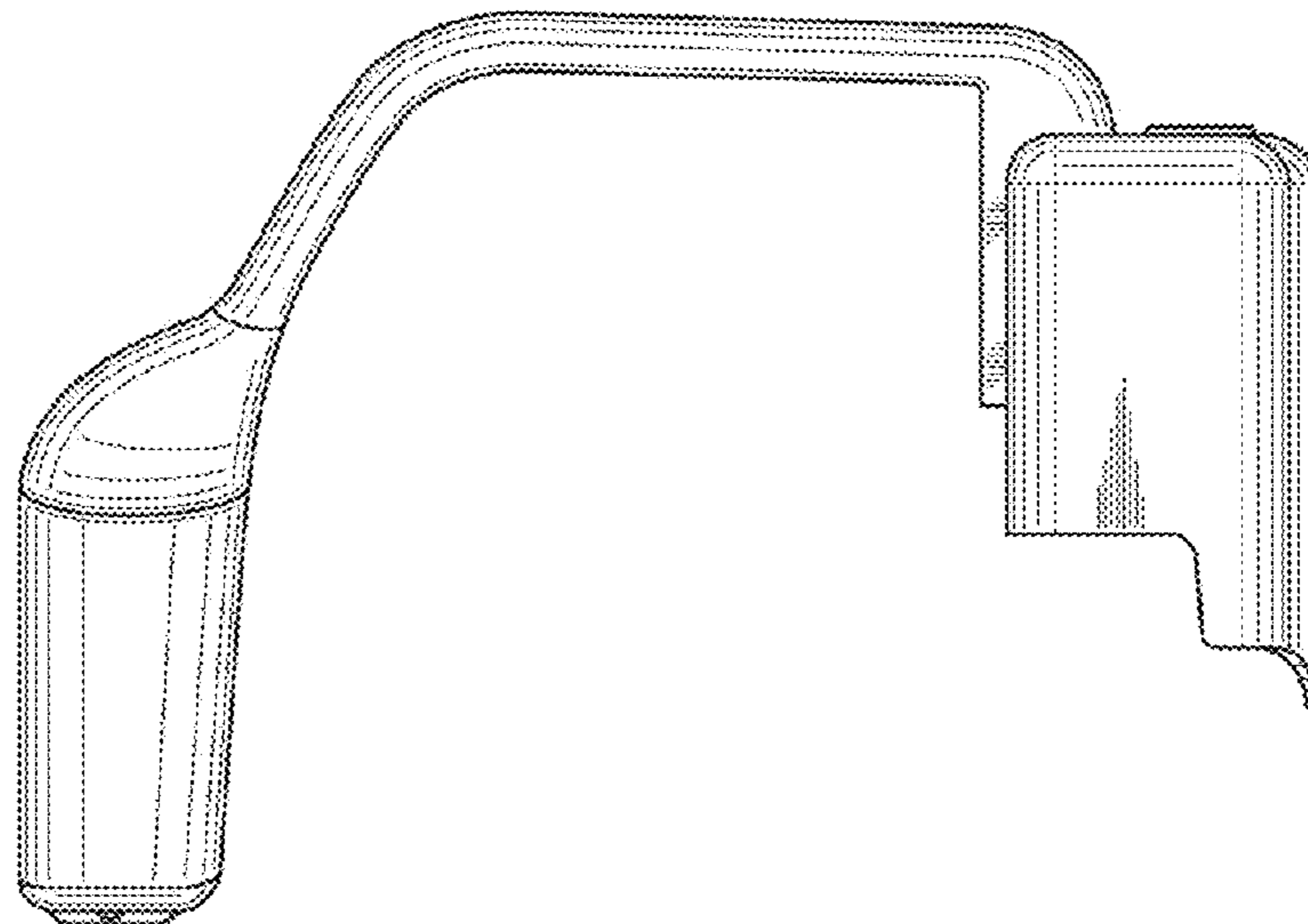


FIG. 5

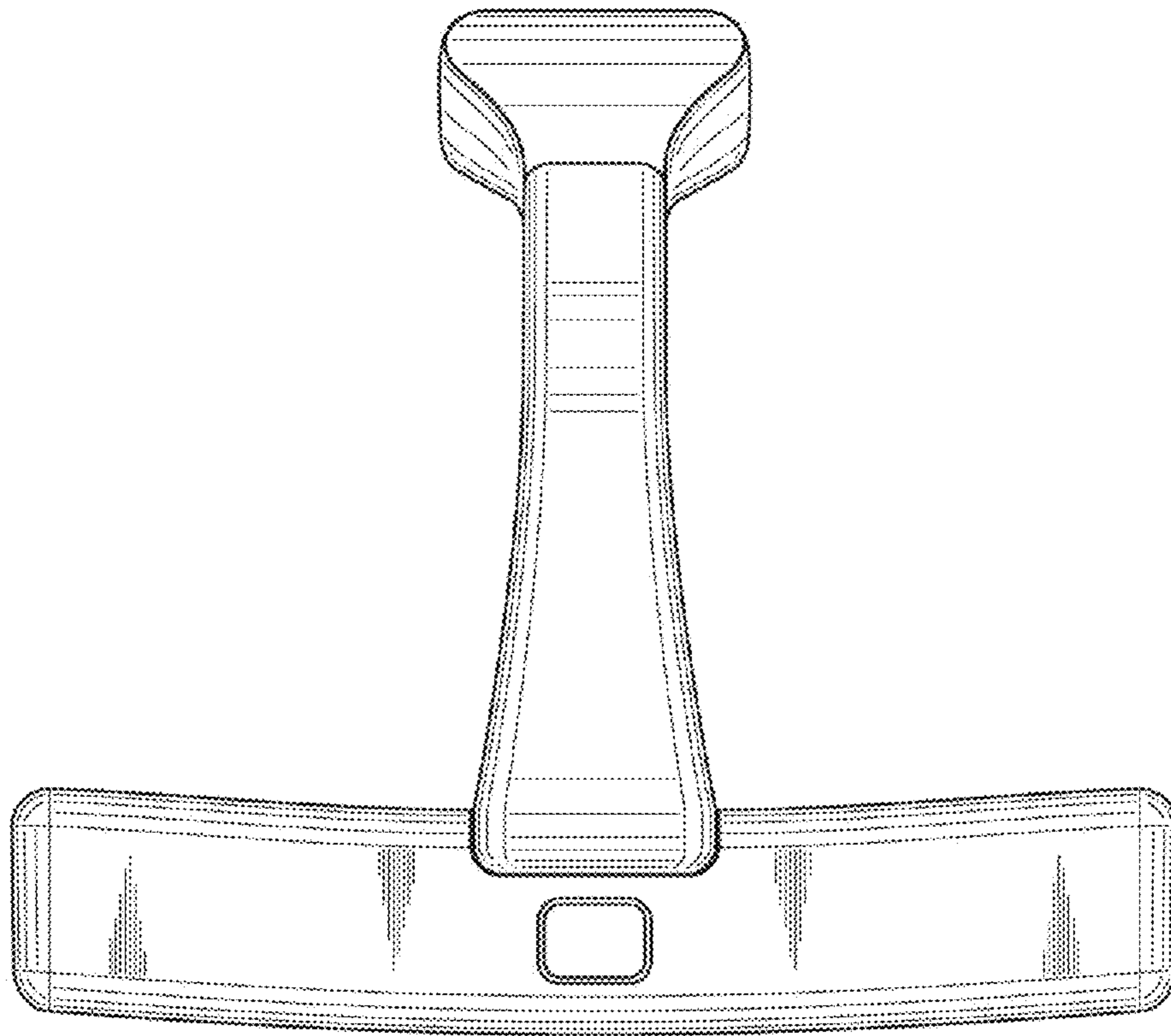


FIG. 6

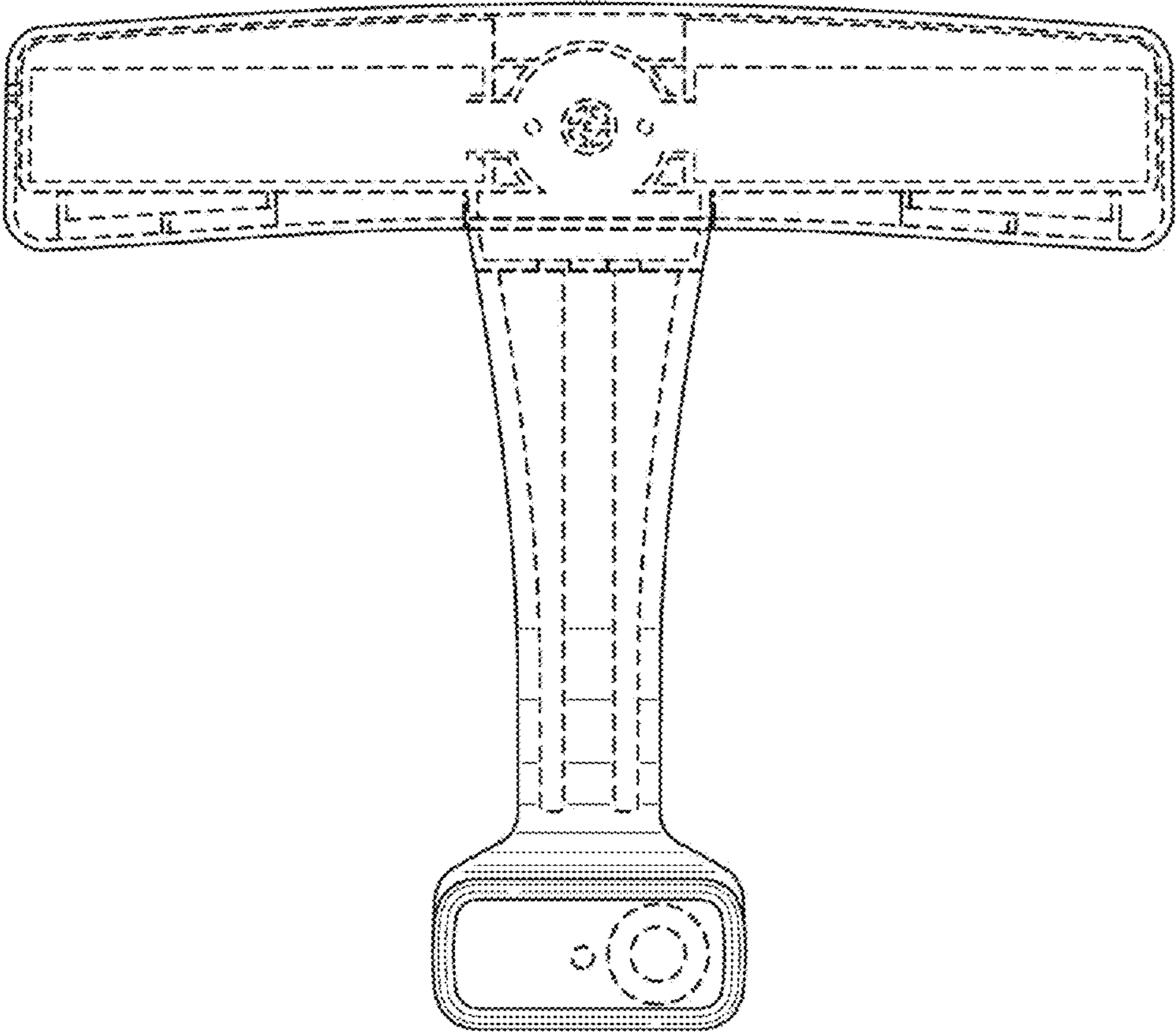


FIG. 7