



US00D765815S

(12) **United States Design Patent**  
Newman et al.

(10) **Patent No.:** **US D765,815 S**  
(45) **Date of Patent:** **\*\* Sep. 6, 2016**

(54) **SHOOTING BENCH WITH A GROOVE  
NEAR EDGE OF DECK**

(71) Applicant: **Rambench, LLC**, Yacolt, WA (US)

(72) Inventors: **Ryan Newman**, Yacolt, WA (US);  
**Mark Case**, Yacolt, WA (US)

(\*\*) Term: **14 Years**

(21) Appl. No.: **29/515,673**

(22) Filed: **Jan. 26, 2015**

(51) **LOC (10) Cl.** ..... **22-99**

(52) **U.S. Cl.**  
USPC ..... **D22/199**

(58) **Field of Classification Search**  
USPC ..... D22/108-110, 114, 199; D6/368, 552  
CPC ..... F41A 23/10; F41A 23/18; F41A 17/44;  
F41A 23/16; F41A 29/00  
See application file for complete search history.

4,834,450 A *	5/1989	Stickler	.....	A47B 3/14 108/180
5,011,228 A *	4/1991	Marcantel	.....	A47B 85/00 108/101
5,551,748 A *	9/1996	McKelvey	.....	A47B 3/14 297/170
7,168,766 B2 *	1/2007	Pelletier	.....	A47C 3/029 297/440.13
D584,067 S *	1/2009	Koukios	.....	D6/375
8,079,315 B2 *	12/2011	Berent	.....	A47B 3/06 108/157.14
8,220,399 B2 *	7/2012	Berent	.....	A47B 3/06 108/157.14

\* cited by examiner

*Primary Examiner* — Michael A Pratt

(74) *Attorney, Agent, or Firm* — Rylander & Assoc., PC;  
Philip R. M. Hunt

(57) **CLAIM**

The ornamental design for a shooting bench with a groove near edge of deck, as shown and described.

(56) **References Cited**

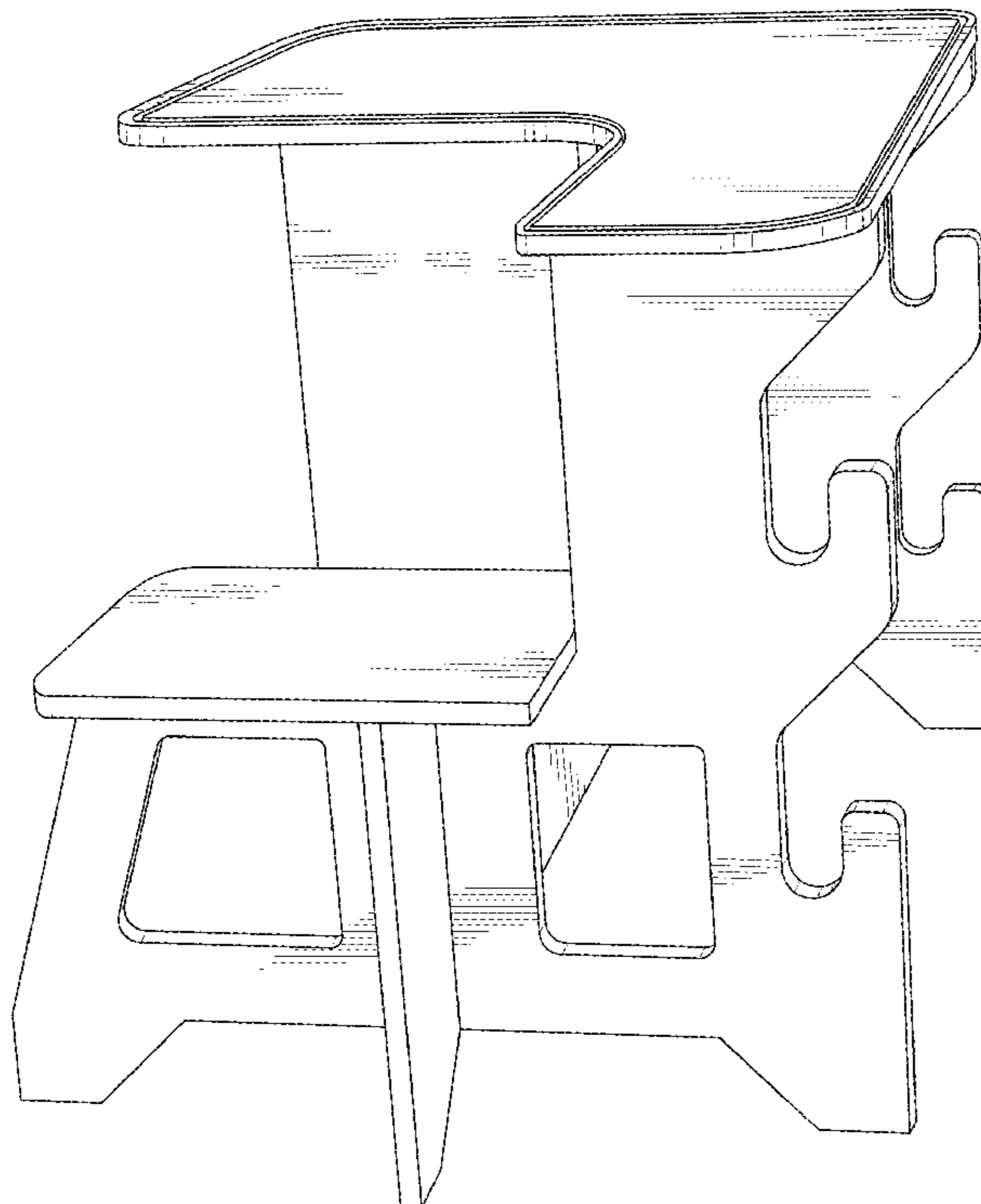
U.S. PATENT DOCUMENTS

2,215,657 A *	9/1940	Anderson	.....	A47B 39/00 297/156
3,788,700 A *	1/1974	Wartes	.....	A47B 3/00 108/101
4,140,065 A *	2/1979	Chacon	.....	A47C 4/021 108/156
4,433,753 A *	2/1984	Watson	.....	B25H 1/06 182/151

**DESCRIPTION**

FIG. 1 shows a back perspective view of the design.  
FIG. 2 shows a front perspective view of the design.  
FIG. 3 shows a side perspective view of the design; and,  
FIG. 4 shows a bottom perspective view of the design.  
The broken lines are for illustrative purposes only and form no part of the claimed design.

**1 Claim, 4 Drawing Sheets**



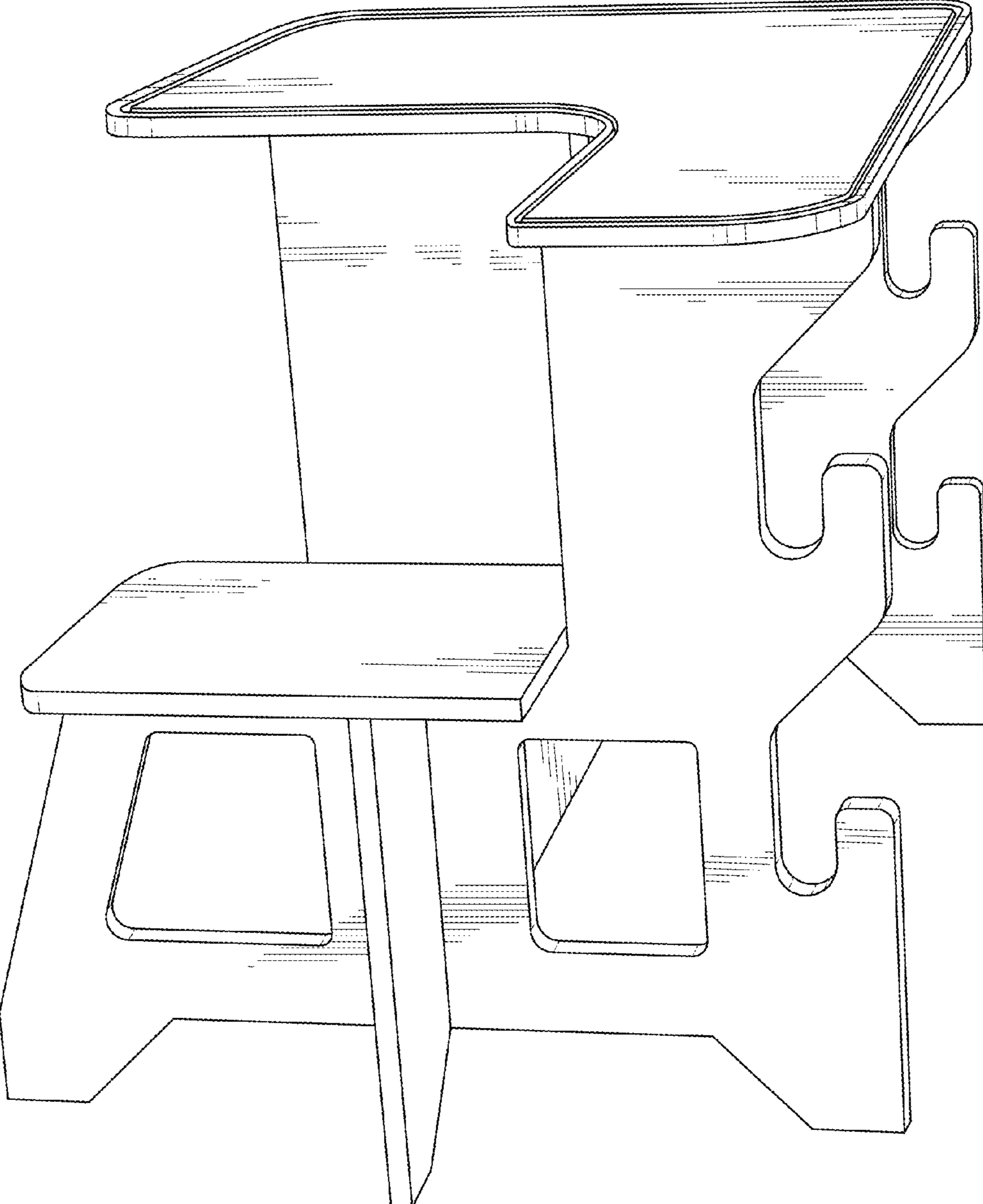


FIG. 1

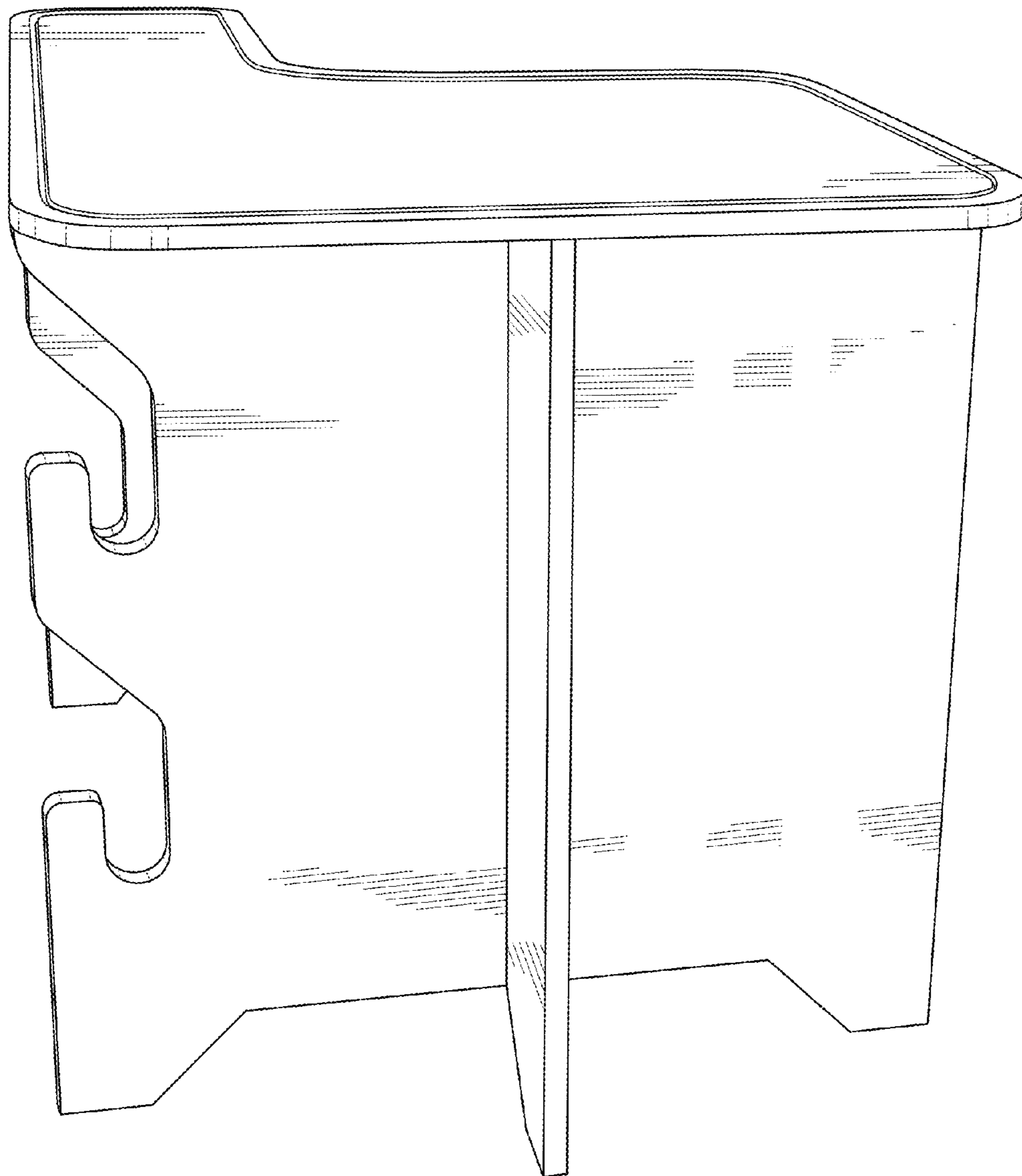


FIG.2

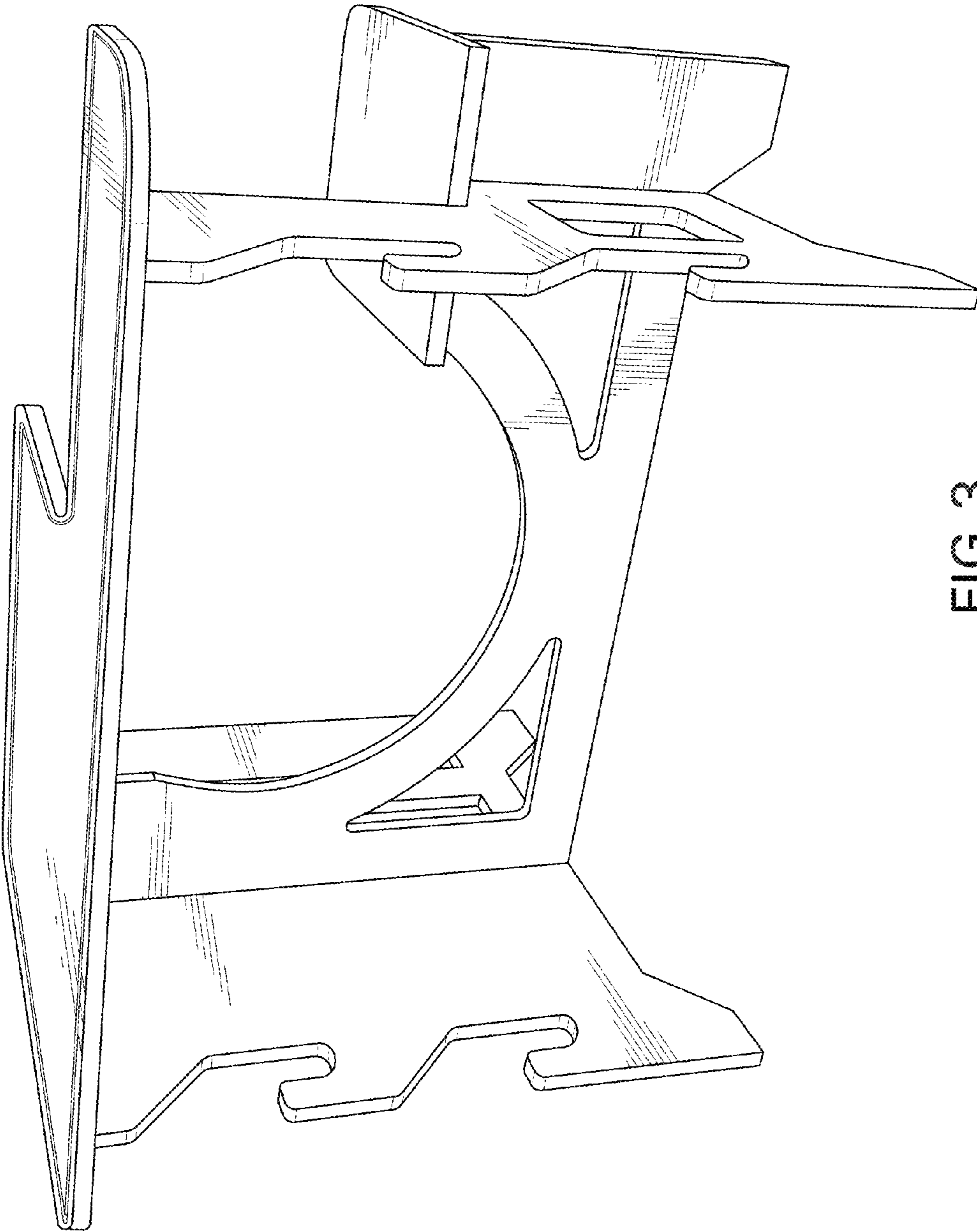


FIG. 3

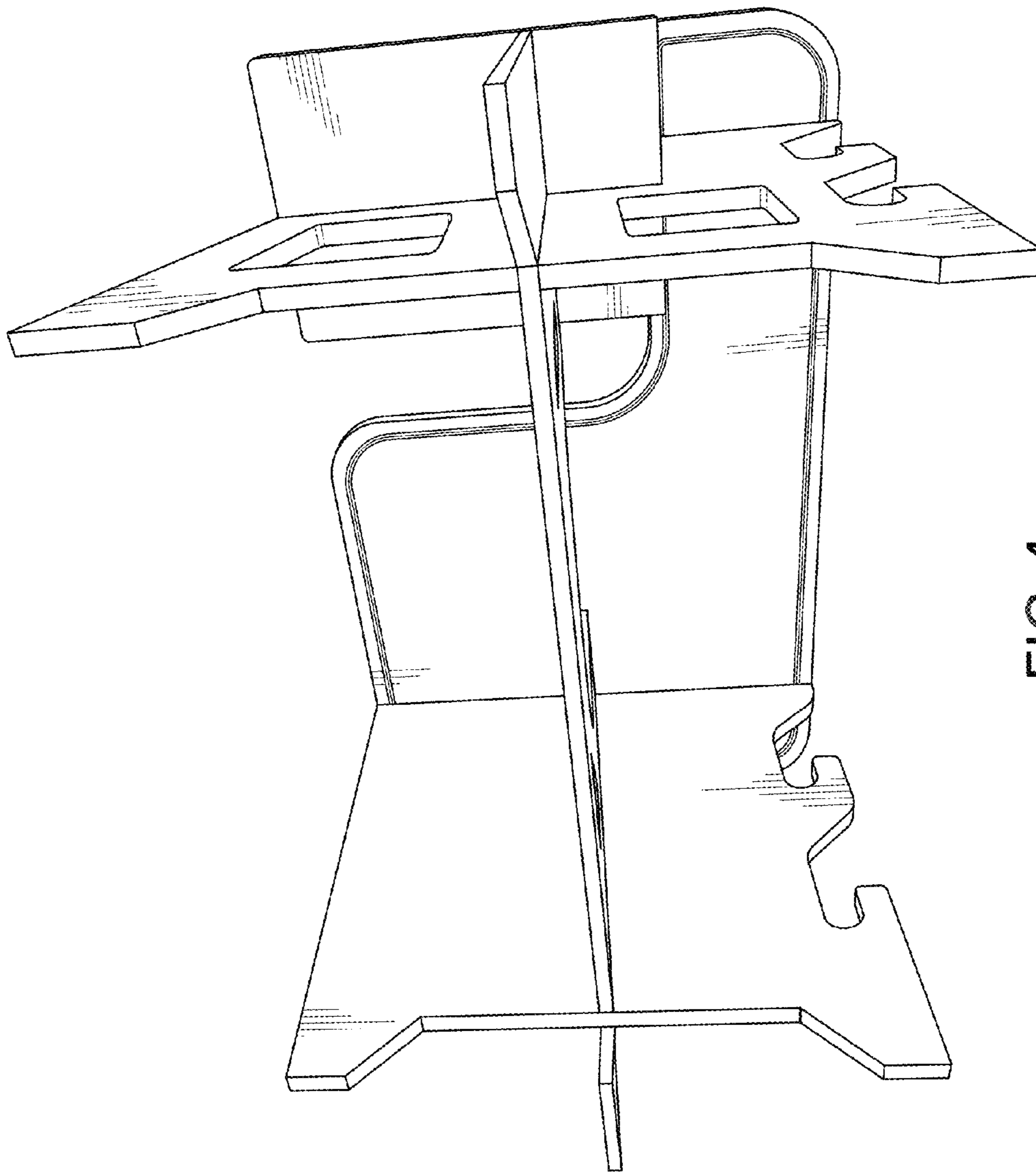


FIG. 4