



US00D765813S

(12) **United States Design Patent** (10) **Patent No.:** **US D765,813 S**  
**Roberts et al.** (45) **Date of Patent:** **\*\* Sep. 6, 2016**

(54) **DRUM MAGAZINE FOR A FIREARM**

2,756,637 A 7/1956 Maillard  
3,106,865 A 10/1963 Hepperle  
3,619,929 A 11/1971 Fremont

(71) Applicant: **Magpul Industries Corporation**,  
Louisville, CO (US)

(Continued)

(72) Inventors: **Timothy Roberts**, Erie, CO (US);  
**Grady Barfoot**, Denver, CO (US);  
**Richard Fitzpatrick**, West Lake Hills,  
TX (US); **Nicholas Kielsmeier**, Denver,  
CO (US); **Michael T. Mayberry**,  
Denver, CO (US); **Brian Nakayama**,  
Arvada, CO (US); **Thomas Ward**,  
Tualatin, OR (US)

FOREIGN PATENT DOCUMENTS

CN 101660886 3/2010  
GB 141128 A 4/1920

(Continued)

(73) Assignee: **Magpul Industries Corporation**,  
Austin, TX (US)

OTHER PUBLICATIONS

Center\_Fire\_Systems\_2012\_Korean\_9mm\_50RD\_Glock\_  
Drum Center Fire Systems (Oct. 7, 2012) Korean 9mm 50RD Glock  
Drum; Website [Online] Available Website: [http://www.  
centerfiresystems.com/DRUM-GLOCK.aspx](http://www.centerfiresystems.com/DRUM-GLOCK.aspx); Last Update: Aug.  
25, 2014; Accessed on: Mar. 23, 2015.

(Continued)

(\*\*) Term: **14 Years**

*Primary Examiner* — Michael A Pratt

(21) Appl. No.: **29/513,511**

(74) *Attorney, Agent, or Firm* — Swanson & Bratschun,  
L.L.C.

(22) Filed: **Dec. 31, 2014**

(51) **LOC (10) Cl.** ..... **22-01**

(52) **U.S. Cl.**  
USPC ..... **D22/108**

(57) **CLAIM**

The ornamental design for a drum magazine for a firearm, as  
shown and described.

(58) **Field of Classification Search**  
USPC ..... D22/103, 108; D21/572-573  
CPC ..... F41A 9/70; F41A 9/65; F41A 9/71;  
F41A 9/68; F41A 9/69; F41A 11/02; F41A  
9/61; F41A 9/00; F41A 9/17; F41A 9/23;  
F41A 9/34; F41A 9/84; F41A 9/73  
See application file for complete search history.

**DESCRIPTION**

FIG. 1 is a front, top, left perspective view of a drum  
magazine for a firearm showing our new design;  
FIG. 2 is a front elevation view thereof;  
FIG. 3 is a rear elevation view thereof;  
FIG. 4 is a left side elevation view thereof;  
FIG. 5 is a right side elevation view thereof;  
FIG. 6 is a top plan view thereof; and,  
FIG. 7 is a bottom plan view thereof.

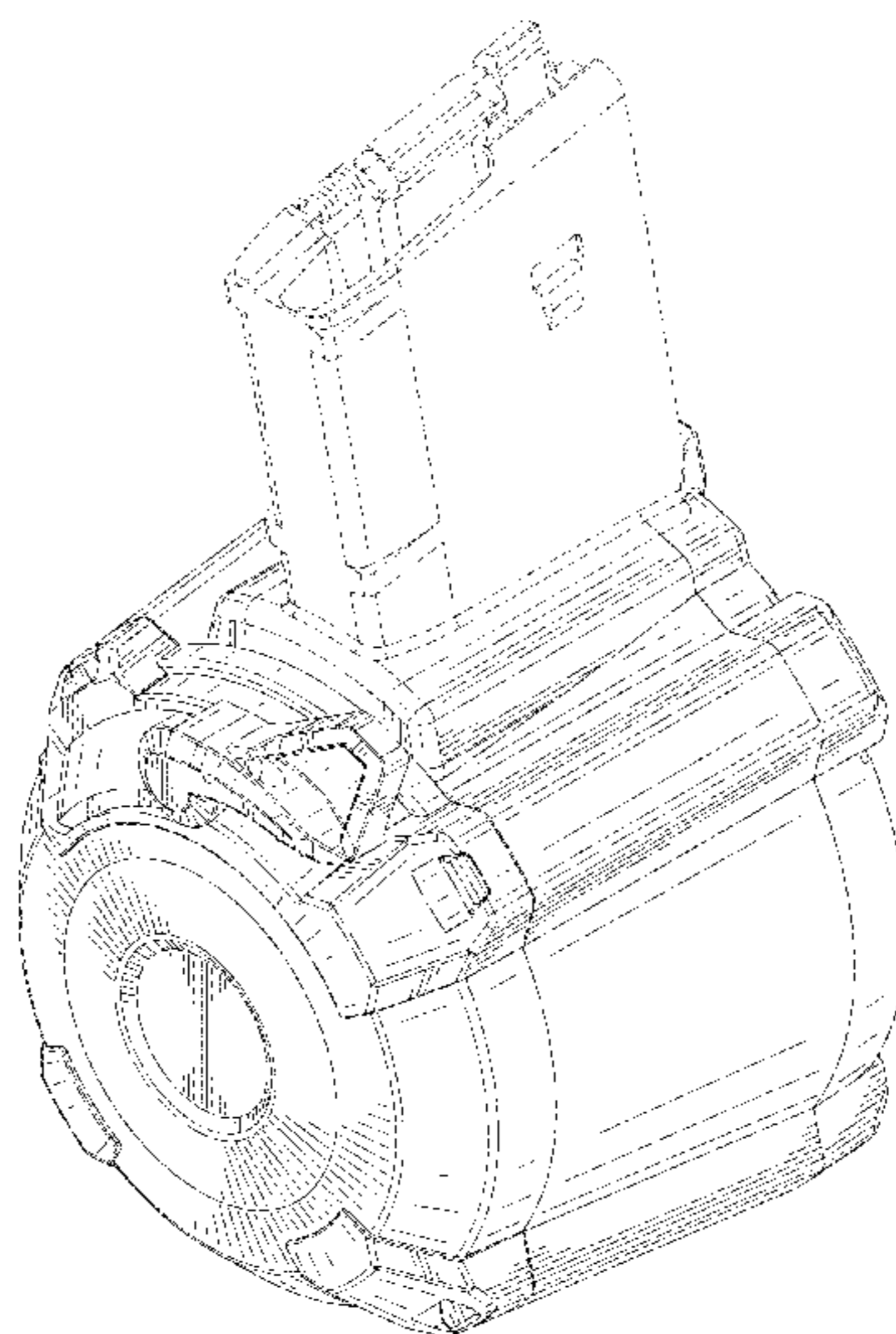
The broken lines showing portions of the design in all  
figures are included for the purpose of illustrating environ-  
ment and unclaimed features and form no part of the claimed  
design.

(56) **References Cited**

U.S. PATENT DOCUMENTS

801,802 A 10/1905 von Mannlicher  
979,721 A 12/1910 Sunngard  
1,042,837 A 10/1912 Tatarek  
1,347,755 A 7/1920 Payne  
1,361,402 A 12/1920 Payne  
2,367,572 A 1/1945 Gazda

**1 Claim, 7 Drawing Sheets**



(56)

References Cited

U.S. PATENT DOCUMENTS

4,384,508 A 5/1983 Sullivan  
 4,413,546 A 11/1983 Taylor, Jr.  
 4,445,419 A 5/1984 Fischer  
 4,487,103 A \* 12/1984 Atchisson ..... F41A 9/73  
 89/33.02  
 4,497,410 A \* 2/1985 Coate ..... B23Q 3/15506  
 211/1.53  
 4,658,700 A 4/1987 Sullivan  
 4,689,907 A 9/1987 Gwinn, Jr.  
 4,745,842 A 5/1988 Shou-Fu  
 4,926,742 A \* 5/1990 Ma ..... F41A 9/75  
 42/49.01  
 5,600,083 A 2/1997 Bentley  
 5,905,224 A 5/1999 Jordan  
 8,037,800 B2 10/2011 Snow  
 8,117,956 B2 \* 2/2012 Emde ..... F41A 9/75  
 42/49.01  
 8,196,327 B2 6/2012 Rich  
 8,220,377 B2 7/2012 Quetschke  
 8,347,774 B2 \* 1/2013 Rich ..... F41A 9/74  
 42/49.01  
 8,448,558 B2 \* 5/2013 Lasichak ..... F41A 9/03  
 42/49.01  
 8,485,083 B1 7/2013 Care  
 8,839,706 B1 \* 9/2014 Macy ..... F41B 11/54  
 124/45  
 8,919,022 B2 \* 12/2014 Chewning ..... F41A 9/70  
 42/49.01  
 2007/0107592 A1 5/2007 Snow  
 2011/0005114 A1 1/2011 Snow  
 2011/0137205 A1 \* 6/2011 Frey ..... A61B 5/1411  
 600/583  
 2012/0144712 A1 6/2012 Rostocil  
 2014/0096671 A1 \* 4/2014 Jiang ..... F41A 9/73  
 89/33.02  
 2015/0090106 A1 \* 4/2015 Seeley ..... F41A 9/71  
 89/33.01  
 2015/0219414 A1 \* 8/2015 No ..... F41A 9/75  
 42/49.01

FOREIGN PATENT DOCUMENTS

GB 539414 A 9/1941  
 GB 696353 A 8/1953

OTHER PUBLICATIONS

CheaperThanDirt\_2012\_ProMag\_AK-47\_Drum\_Magazine  
 Cheaper Than Dirt (Dec. 25, 2012) ProMag AK-47 Drum Magazine  
 7.62x39 73 Rounds Polymer Black AK-A16; Website [Online]  
 Available Website: <http://www.cheaperthandirt.com/product/82707>;  
 Last Update: Feb. 1, 2013; Accessed on: Apr. 1, 2015.  
 CMAG\_Beta\_Mag\_M16M4 CMag Beta Mag™ M16/M4 Com-  
 patible With Following Weapons; Website [Online] Available Web-  
 site: [http://www.betaco.com/cmaga\\_product\\_details.asp?product\\_](http://www.betaco.com/cmaga_product_details.asp?product_)  
[category=&product=1&weapon=25](http://www.betaco.com/cmaga_product_details.asp?product_); Last Update: Unknown;  
 Accessed on: Apr. 1, 2015.  
 CMAG\_BETA\_MAG\_SCAR\_17 CMag Beta Mag™ Scar 17;  
 Website [Online] Available Website: [http://www.betaco.com/cmaga\\_product\\_details.asp?product=28](http://www.betaco.com/cmaga_product_details.asp?product=28);  
 Last Update: Unknown; Accessed on Mar. 9, 2015.  
 HKPro\_2010\_Grey\_Room\_Photo\_Tour\_Ultimate\_HK\_Col-  
 lection WebsiteName (Jan. 2, 2010) Grey Room Photo Tour Ulti-  
 mate HK Collection; Website [Online] Available Website: [http://](http://www.hkpro.com/index.php?option=com_content&view=article)  
[www.hkpro.com/index.php?option=com\\_content&view=article](http://www.hkpro.com/index.php?option=com_content&view=article)  
[&id=132:the-grey-room-photo-tour-of-the-ultimate-hk-collection](http://www.hkpro.com/index.php?option=com_content&view=article)  
[&catid=4:special-topics&Itemid=5](http://www.hkpro.com/index.php?option=com_content&view=article); Last Update: Unknown;  
 Accessed on: Mar. 9, 2015.  
 JGSales\_Romanian\_AK47 J & G Sales Romanian AK-47 7.62x39  
 75rd Drum Magazine, Wind up, Blued Steel, New; Website [Online]  
 Available Website: [http://www.jgsales.com/romanian-ak-47-](http://www.jgsales.com/romanian-ak-47-762x39-75rd-steel-drum-magazine,-wind-up,-blued-p-3785.html)  
[762x39-75rd-steel-drum-magazine,-wind-up,-blued-p-3785.html](http://www.jgsales.com/romanian-ak-47-762x39-75rd-steel-drum-magazine,-wind-up,-blued-p-3785.html);  
 Last Update: Unknown; Accessed on: Apr. 1, 2015.  
 MidwayUSA\_2012\_Military\_Surplus\_Magazine\_AK-47 Mid-  
 way USA (Dec. 30, 2012) Military Surplus Magazine AK-47  
 7.62x39mm 75-Round Drum Steel Gray; Website [Online] Avail-  
 able Website: [http://www.midwayusa.com/product/148497/mili-](http://www.midwayusa.com/product/148497/military-surplus-magazine-ak-762x39mm-75-round-drum-steel-gray)  
[tary-surplus-magazine-ak-762x39mm-75-round-drum-steel-gray](http://www.midwayusa.com/product/148497/military-surplus-magazine-ak-762x39mm-75-round-drum-steel-gray);  
 Last Update: Dec. 23, 2013; Accessed on: Apr. 1, 2015.  
 NorthRidgeInternational\_2011\_AK47\_ROMANIAN NorthRidge  
 International (Feb. 7, 2011) AK 47 Romanian 75 Round Drum  
 Magazine; Website [Online] Available Website: [http://](http://northridgeinc.com/store/index.cfm/c144/i693)  
[northridgeinc.com/store/index.cfm/c144/i693](http://northridgeinc.com/store/index.cfm/c144/i693); Last Update:  
 Unknown; Accessed on: Mar. 9, 2015.  
 XProducts\_2013\_AR\_15\_High\_Capacity\_Magazine X Prod-  
 ucts (Feb. 5, 2013) X-15; Website [Online] Available Website:  
[http://www.xproducts.com/high-quality-extremely-durable-fully-](http://www.xproducts.com/high-quality-extremely-durable-fully-encased-alloy-50-round-drum-magazine-for-the-ar15-ar-15)  
[encased-alloy-50-round-drum-magazine-for-the-ar15-ar-15](http://www.xproducts.com/high-quality-extremely-durable-fully-encased-alloy-50-round-drum-magazine-for-the-ar15-ar-15); Last  
 Update: Mar. 22, 2015; Accessed on: Mar. 9, 2015.

\* cited by examiner



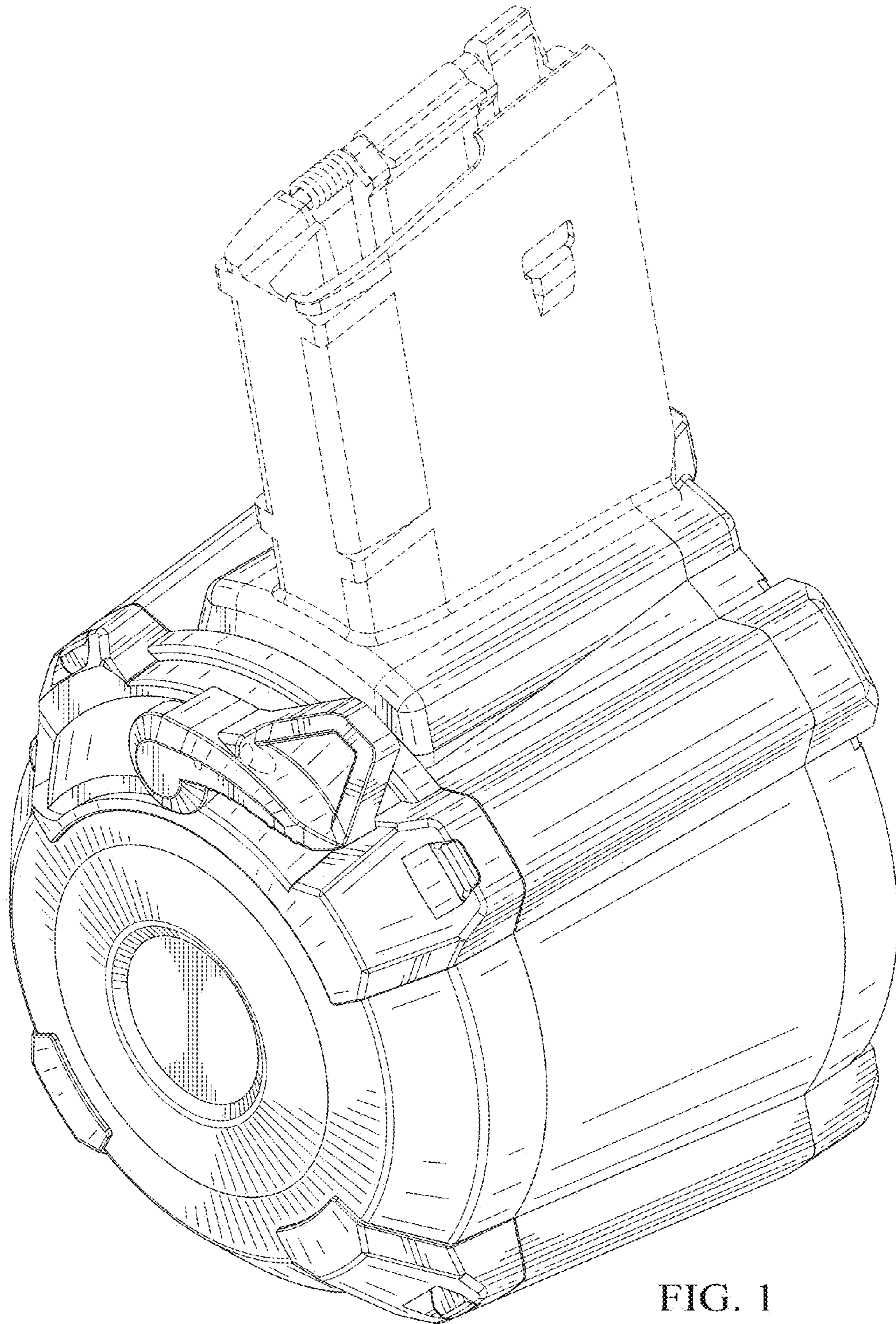


FIG. 1

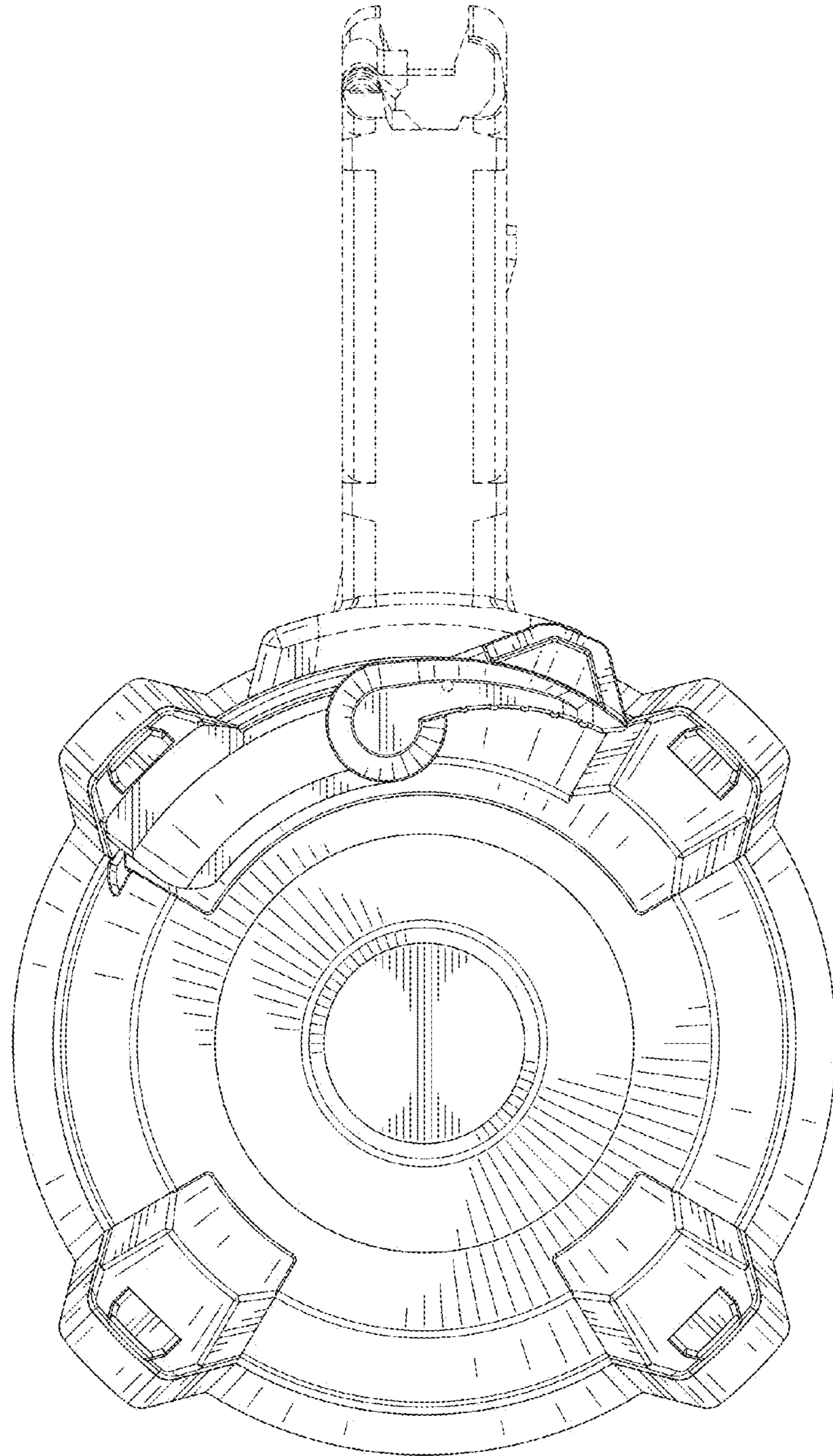


FIG. 2

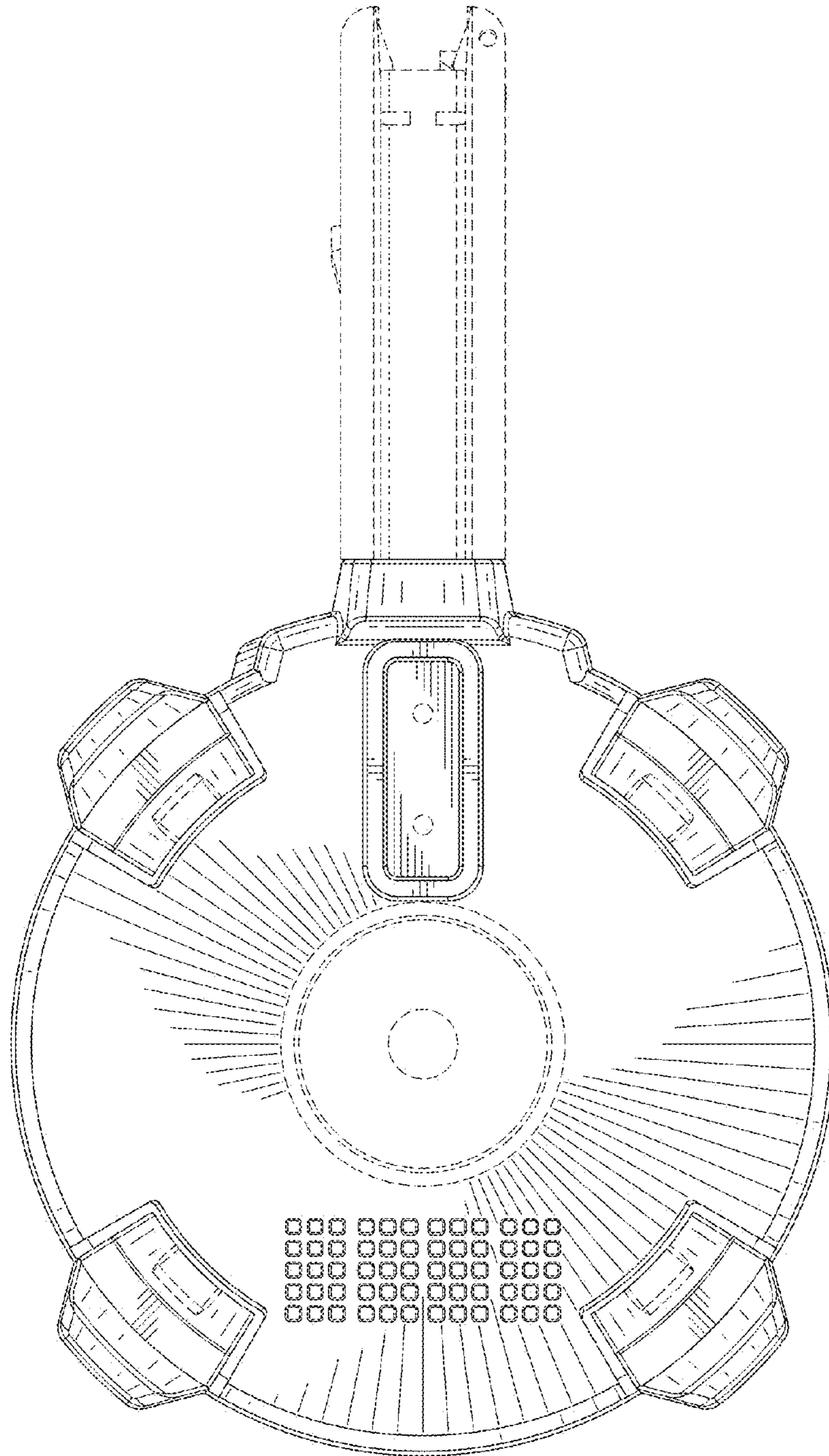


FIG. 3



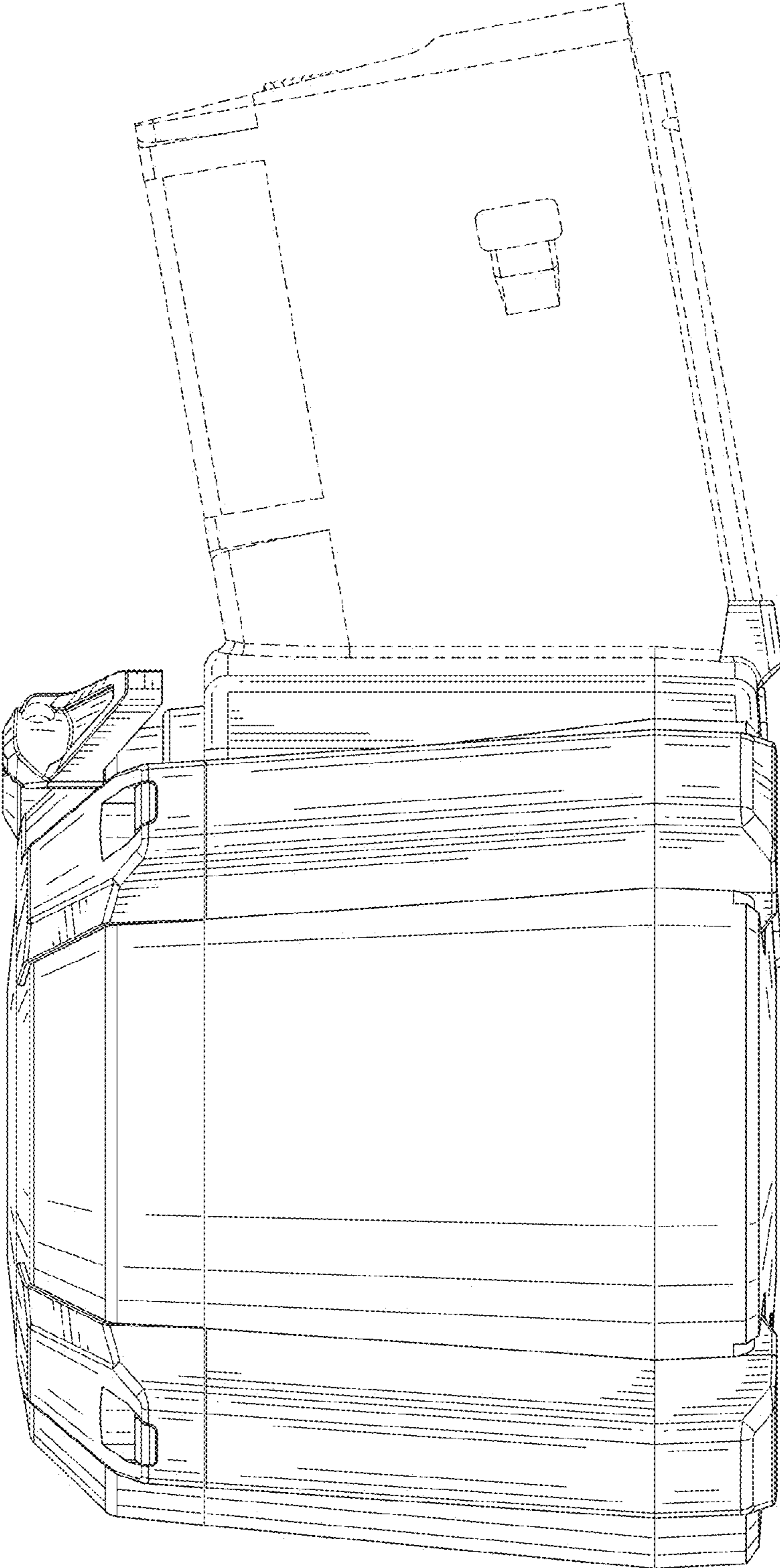


FIG. 4

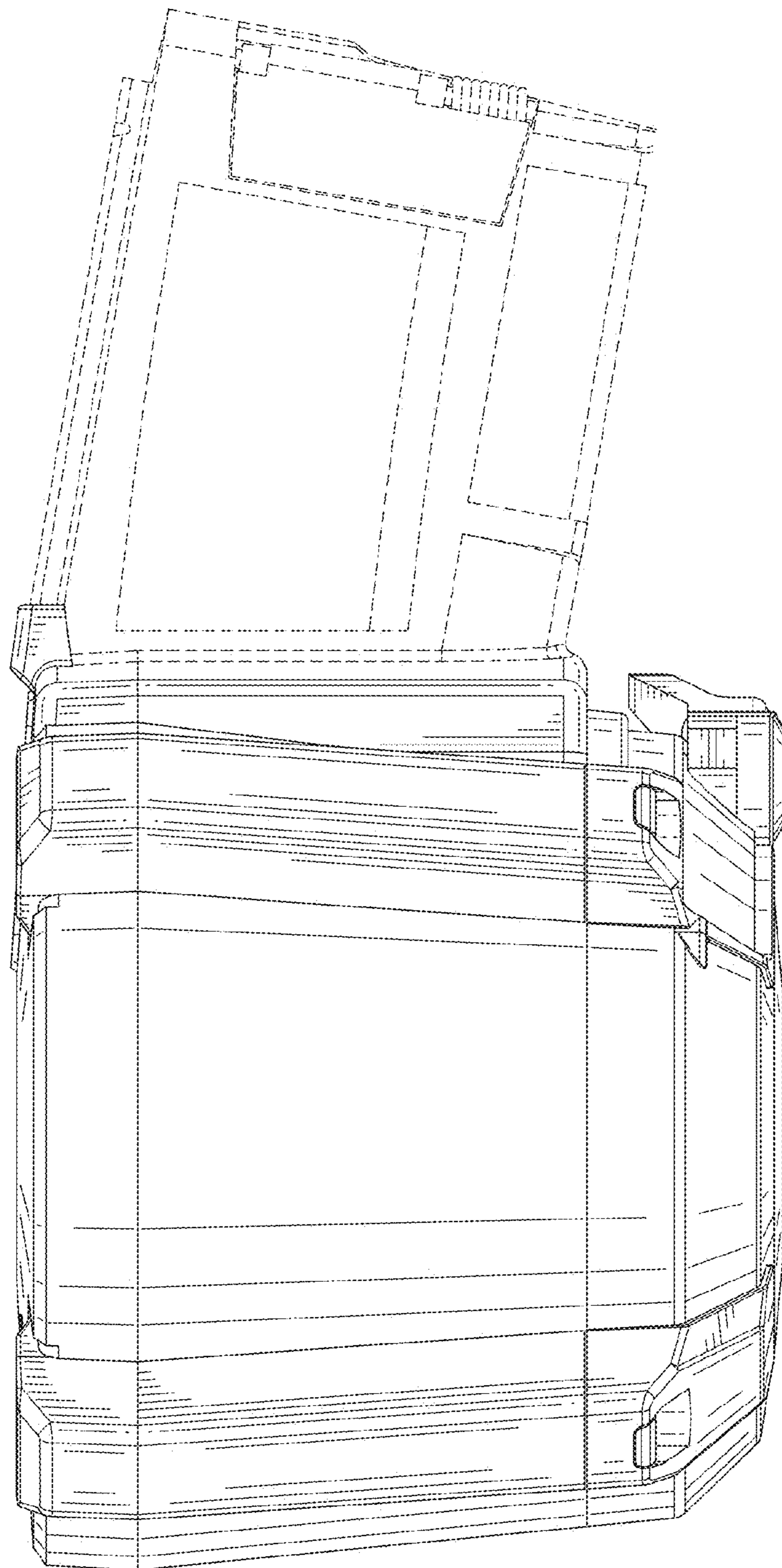


FIG. 5

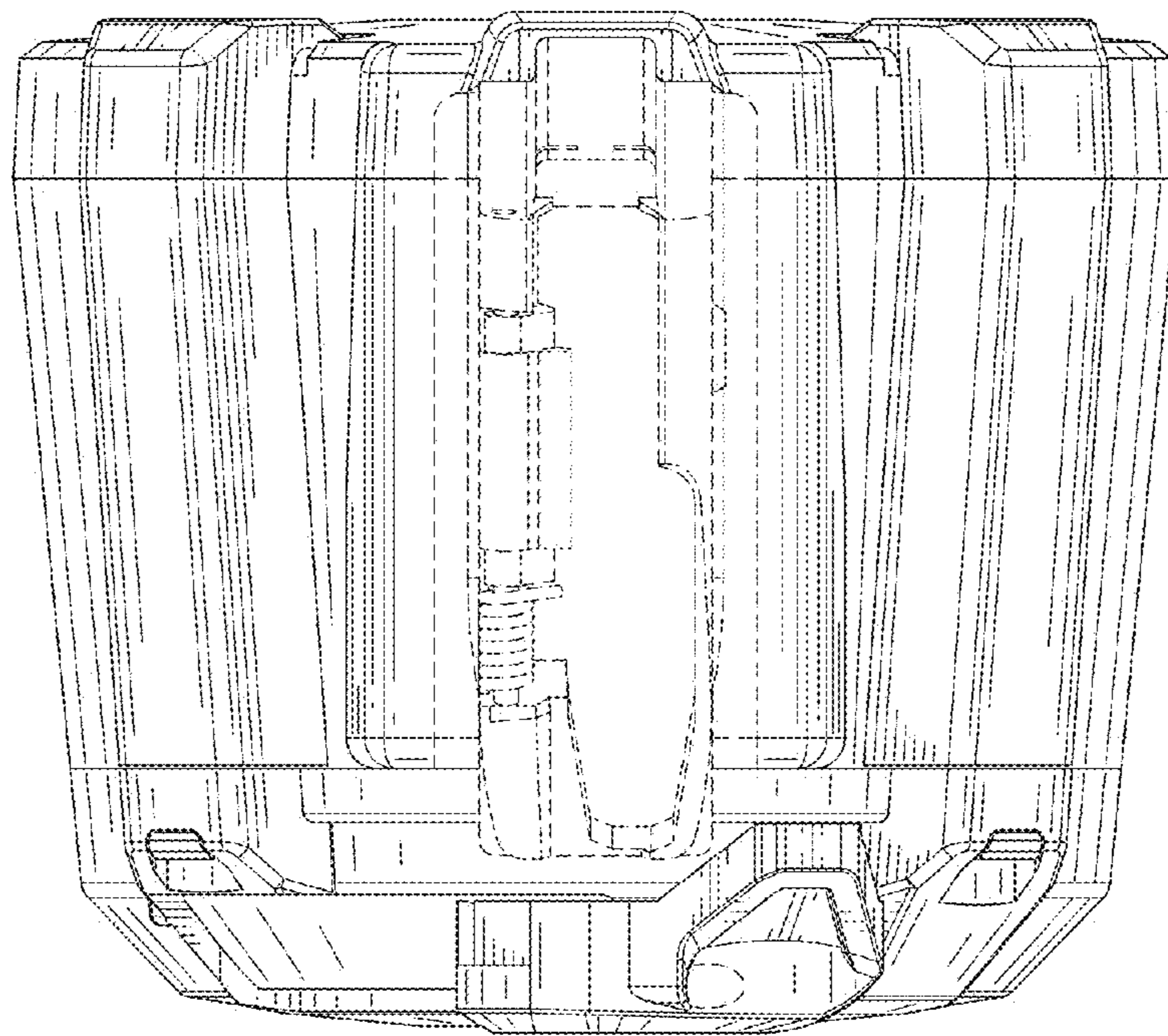


FIG. 6



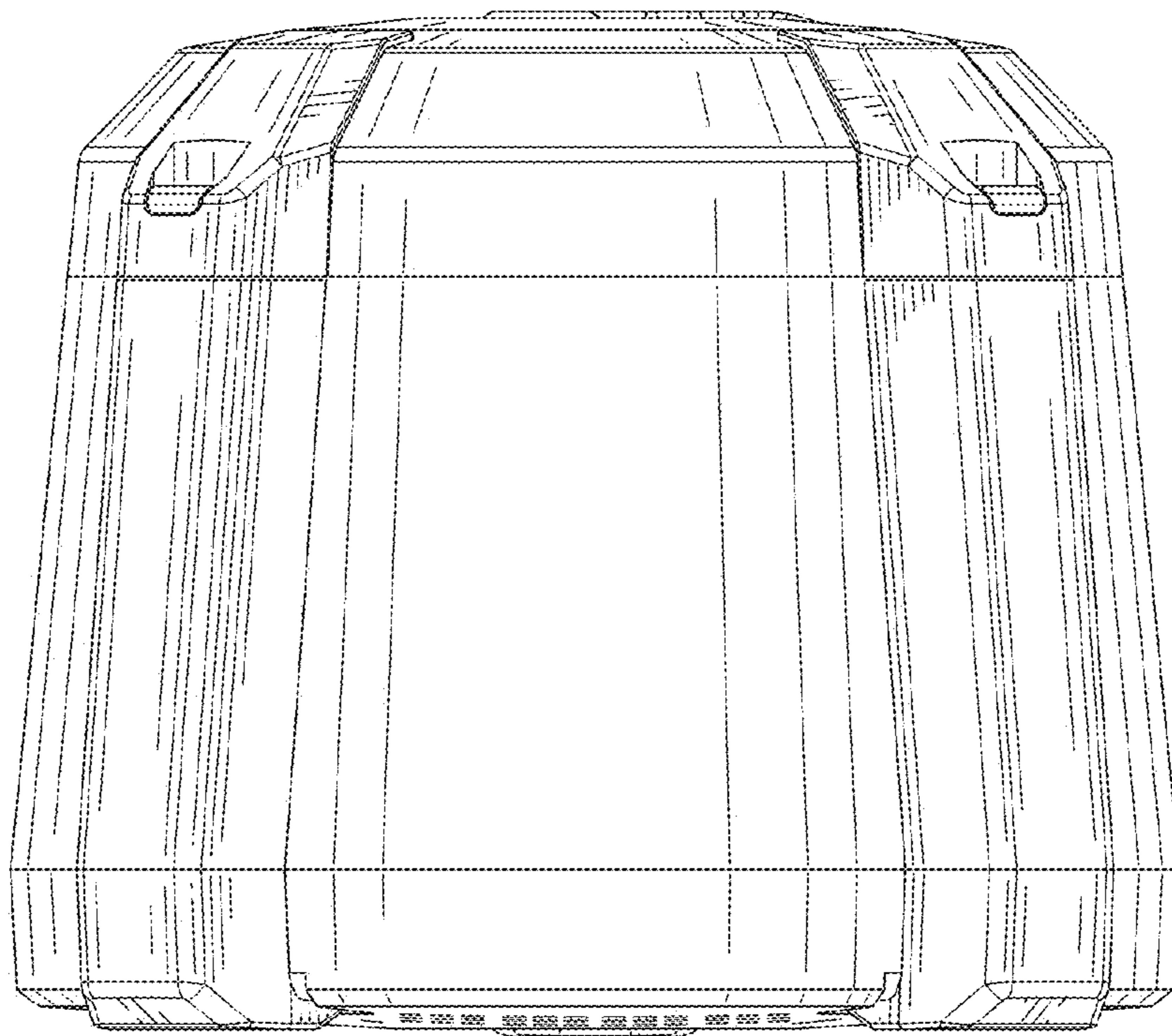


FIG. 7