

US00D765812S

(12) **United States Design Patent** (10) **Patent No.:** **US D765,812 S**
Kielsmeier et al. (45) **Date of Patent:** **** *Sep. 6, 2016**

(54) **MAGAZINE FOR A FIREARM**

- (71) Applicant: **Magpul Industries Corporation**,
Louisville, CO (US)
- (72) Inventors: **Nicholas Kielsmeier**, Denver, CO (US);
William B. Bennett, Lafayette, CO
(US); **Michael T. Mayberry**, Denver,
CO (US); **Brian Nakayama**, Arvada,
CO (US); **Felix Nuss**, Boulder, CO
(US)
- (73) Assignee: **Magpul Industries Corporation**,
Austin, TX (US)

- (*) Notice: This patent is subject to a terminal dis-
claimer.
- (**) Term: **14 Years**

(21) Appl. No.: **29/512,738**

(22) Filed: **Dec. 22, 2014**

(51) **LOC (10) Cl.** **22-01**

(52) **U.S. Cl.**
USPC **D22/108**

(58) **Field of Classification Search**
USPC D22/103, 108; D21/572-573
CPC F41A 9/70; F41A 9/65; F41A 9/71;
F41A 9/68; F41A 9/69; F41A 11/02; F41A
9/61; F41A 9/00; F41A 9/17; F41A 9/23;
F41A 9/34; F41A 9/84
See application file for complete search history.

(56) **References Cited**

U.S. PATENT DOCUMENTS

4,100,694 A	7/1978	Musgrave
4,139,959 A	2/1979	Howard
4,484,404 A	11/1984	Johnson
4,509,283 A	4/1985	Chesnut
4,586,281 A	5/1986	Chesnut
4,628,627 A	12/1986	Johnson
D297,854 S	9/1988	Vyprachticky
4,888,899 A	12/1989	Chesnut

(Continued)

OTHER PUBLICATIONS

AIM_Surplus_2013_Russian_30rd_Steel_AK47_Rifle AIM
Surplus (Feb. 19, 2013) Russian 30rd Steel AK47 Rifle 7.62x39
Magazine; Website [Online] Available Website: <http://www.aimsurplus.com/product.aspx?item=MAK47R30>; Last Update:
Aug. 13, 2013; Accessed on: Feb. 20, 2015.

(Continued)

Primary Examiner — Michael A Pratt

(74) *Attorney, Agent, or Firm* — Swanson & Bratschun,
L.L.C.

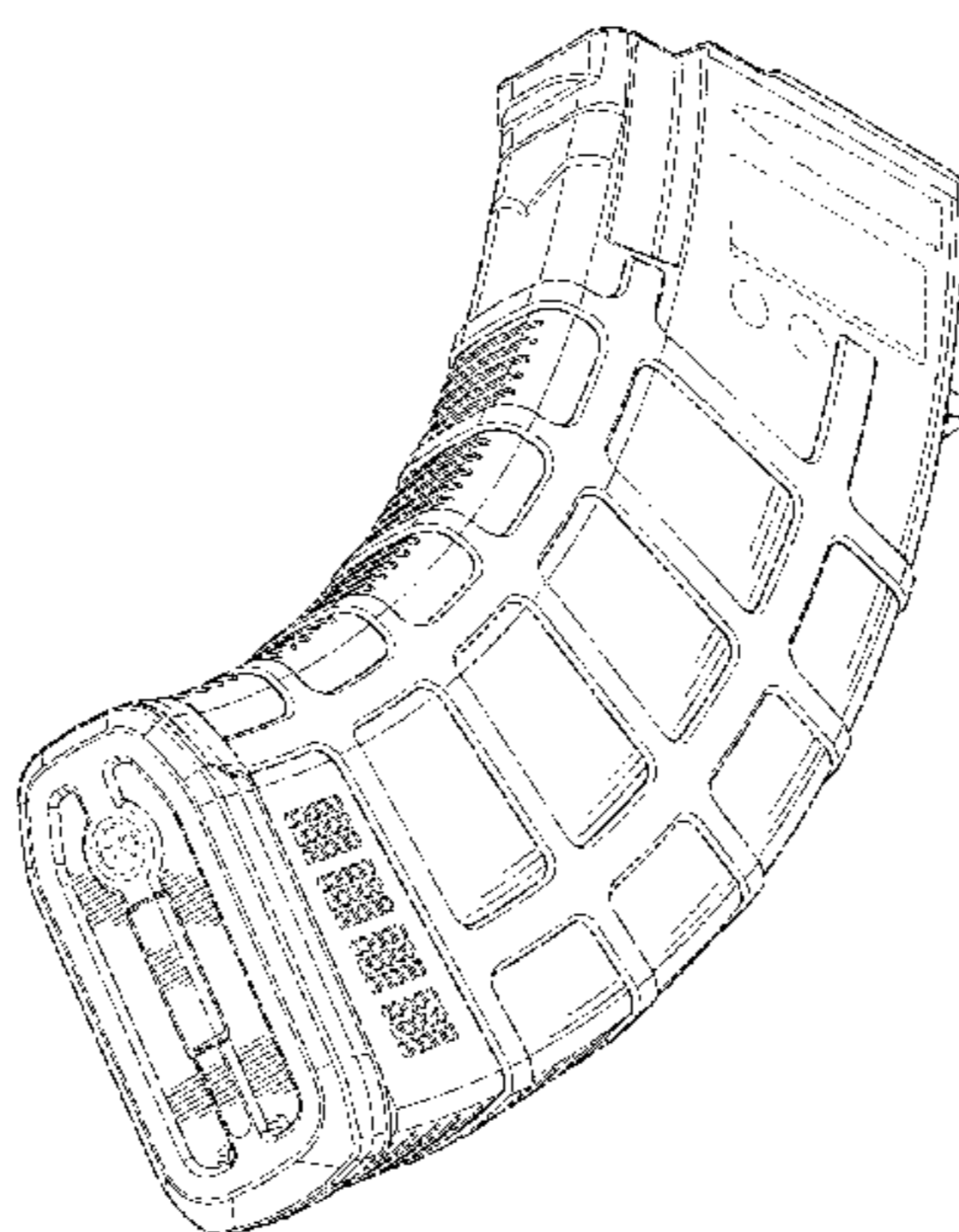
(57) **CLAIM**

The ornamental design for a magazine for a firearm, as
shown and described.

DESCRIPTION

FIG. 1 is a left, bottom, front perspective view of a magazine
for a firearm showing our new design;
FIG. 2 is a right side elevation view of the magazine for a
firearm of FIG. 1;
FIG. 3 is a left side elevation view of the magazine for a
firearm of FIG. 1;
FIG. 4 is a top plan view of the magazine for a firearm of
FIG. 1;
FIG. 5 is a bottom plan view of the magazine for a firearm
of FIG. 1;
FIG. 6 is a front elevation view of the magazine for a firearm
of FIG. 1;
FIG. 7 is a rear elevation view of the magazine for a firearm
of FIG. 1; and,
FIG. 8 is a right, rear perspective view of the magazine for
a firearm of FIG. 1.
The broken lines showing portions of the design in all
figures are included for the purpose of illustrating environ-
ment and unclaimed features and form no part of the claimed
design.

1 Claim, 6 Drawing Sheets



(56)

References Cited

U.S. PATENT DOCUMENTS

5,099,595 A 3/1992 Chestnut
 5,417,003 A 5/1995 Claveau
 D362,044 S 9/1995 Sniezak
 6,736,125 B2 5/2004 Petrosyan
 7,373,751 B1 5/2008 Schaffer
 D593,635 S 6/2009 Fitzpatrick
 7,562,482 B1 7/2009 Johnson
 D600,303 S 9/2009 Fitzpatrick
 D614,719 S 4/2010 Fitzpatrick
 D614,720 S 4/2010 Fitzpatrick
 D614,721 S 4/2010 Fitzpatrick
 D616,057 S 5/2010 Fitzpatrick
 D620,544 S 7/2010 Fitzpatrick
 D620,545 S 7/2010 Fitzpatrick
 D632,752 S 2/2011 Fitzpatrick
 D633,164 S 2/2011 Fitzpatrick
 7,886,468 B1 2/2011 Pontollo, II
 D633,589 S 3/2011 Fitzpatrick
 D633,590 S 3/2011 Fitzpatrick
 7,958,660 B2 6/2011 Fitzpatrick
 D642,234 S 7/2011 Marfione
 D642,647 S 8/2011 Fitzpatrick
 D678,455 S 3/2013 Hatfield
 D680,613 S 4/2013 Fitzpatrick
 D681,151 S 4/2013 Fitzpatrick
 8,407,922 B1* 4/2013 Taylor F41A 9/66
 42/49.01
 D688,766 S 8/2013 Fitzpatrick
 D688,767 S 8/2013 Bennett
 D691,233 S 10/2013 Bennett
 D695,378 S 12/2013 Fitzpatrick
 8,683,725 B2 4/2014 Munson
 D704,790 S 5/2014 Mayberry et al.
 D705,886 S 5/2014 Kielmeier et al.
 8,726,561 B1 5/2014 Hampton
 D706,895 S 6/2014 Zayatz et al.
 D707,783 S 6/2014 Kielmeier et al.
 D710,479 S* 8/2014 Nakayama D22/108
 D712,500 S 9/2014 Nakayama et al.
 2010/0251590 A1 10/2010 Fitzpatrick
 2010/0269389 A1* 10/2010 Lopez Laparra F41A 9/68
 42/49.01
 2011/0107639 A1 5/2011 Douglas
 2011/0192067 A1 8/2011 Troy
 2011/0283586 A1 11/2011 Scallie
 2012/0066950 A1 3/2012 Davidson
 2012/0131838 A1 5/2012 Edge
 2012/0255209 A1 10/2012 Klassen
 2012/0317857 A1 12/2012 Fitzpatrick
 2013/0086834 A1 4/2013 Battaglia
 2015/0101228 A1* 4/2015 Giannini F41A 21/00
 42/49.02
 2016/0033223 A1* 2/2016 Larson, Jr. F41A 17/38
 42/25

OTHER PUBLICATIONS

AIM_Surplus_2013_Russian_30rd_Bakelite_AK47 AIM Surplus (Jun. 14, 2013) Russian 30rd Bakelite AK47 7.62x39 Rifle Magazine; Website [Online] Available Website: <http://www.aimsurplus.com/product.aspx?item=MAK47I30>; Last Update: Oct. 8, 2013; Accessed on: Feb. 20, 2015.
 Brownells_2012_AR15-M16_20-30-Round_Magazines Brownells (2012) AR-15/M16 20- & 30-Round Magazines; Website [Online] Available Web Site: <http://www.brownells.com/.aspx/pid=21225/Product/AR-15-M16-20-30-ROUND-MAGAZINES>; Last Update: unknown; Accessed on May 4, 2012.
 Brownells_2010_AR-15_M16_Tactical_Magazine Brownells (Apr. 20, 2010) AR-15/M16 Tactical Magazine; Website [Online] Available Web Site: http://www.brownells.com/.aspx/pid=24307/Product/AR_15_M16_TACTICAL_MAGAZINE; Last Update: Unknown; Accessed on: Apr. 20, 2010.
 Cheaperthandirt_com_2010_Mag_AR-15_223_Orlite Cheaperthandirt.com (Apr. 20, 2010) Mag AR-15.223 Orlite 30

Round Israeli Shows Field Use; Website [Online] Available Web Site: <http://www.cheaperthandirt.com/MAG105-1.html>; Last Update: Unknown; Accessed on: Apr. 20, 2010.
 Cheaperthandirt_com_2012_Arsenal_Bulgarian_Made_AK-47_Magazine Cheaperthandirt.com (Jun. 29, 2012) Arsenal Bulgarian Made AK-47 Magazine; Website [Online] Available Website: <http://www.cheaperthandirt.com/product/2-MGAIM47W>; Last Update: Aug. 1, 2013; Accessed on: Feb. 20, 2015.
 EMA_Tactical_CDMAG_Countdown_Magazine EMA Tactical (Apr. 20, 2010) CDMAG Countdown Magazine; Website [Online] Available Web Site: <http://www.ematactical.com/viewProduct.asp?ID=278&catID=8>; Last Update: Unknown; Accessed on: Apr. 20, 2010.
 Foltz (Feb. 21, 2007) 5.56mm 30 Round Magazine Improvement Programs; PDF [Online] Available Web Site: <http://www.dtic.mil/ndia/2006smallarms/foltz.pdf> Last Update: Feb. 21, 2007; Accessed on: Apr. 20, 2010.
 Glock_Store_Glock_Factory_Magazine_4_Packs Glock Store Glock Factory Magazine 4 Packs; Website [Online] Available Website: <http://www.glockstore.com/glock-factory-magazines/glock-factory-magazine-4-packs>; Last Update: Unknown; Accessed on: Feb. 19, 2015.
 Glock_2012_Glock_17 Glock (Jan. 7, 2012) Glock 17; Website [Online] Available Website: <http://us.glock.com/products/model/g17>; Last Update: Oct. 9, 2014; Accessed on: Jan. 21, 2015.
 Glock_Store_2013_Glock_Factory_Magazines Glock Store (Jun. 7, 2013) Glock Factory Magazines; Website [Online] Available Website: <http://www.glockstore.com/glock-factory-magazines/standard-glock-factory-magazines>; Last Update: Nov. 18, 2014; Accessed on: Jan. 21, 2015.
 Glock_Store_Glock_Mag_Floor_Plate Glock Store Glock Mag Floor Plate 9/40/.357/.45GAP; Website [Online] Available Website: <http://www.glockstore.com/mag-parts-extensions/glock-mag-floor-plate-9-40-357-45gap>; Last Update: Unknown; Accessed on: Jan. 21, 2015.
 Glock_Store_Glock_Mag_Follower_9mm_New_Style Glock Store Glock Mag Follower 9mm New Style; Website [Online] Available Website: <http://www.glockstore.com/mag-parts-extensions/glock-mag-follower-9mm-new-style-new-version-6>; Last Update: Unknown; Accessed on: Jan. 21, 2015.
 Gunbroker_com_2010_Eagle_International_223_Polymer_Magazine Gunbroker.com (Apr. 20, 2010) Eagle International .223 Polymer Magazine 223; Website [Online] Available Web Site: <http://www.gunbroker.com/Auction/ViewItem.aspx?Item=164602069#PIC>; Last Update: Unknown; Accessed on: Apr. 20, 2010.
 HKParts.net_2010_HK_G36_30_Round_Magazine HK Parts.net (Apr. 20, 2010) HK G36 30 Round Magazine; Website [Online] Available Web Site: <http://www.hkparts.net/shop/pc/HK-G36-30-Round-Mag-Fits-G36-G36K-G36C-Converted-SL8-s-182p624.htm>; Last Update: Unknown; Accessed on: Apr. 20, 2010.
 HKParts_net_2010_30_Round_HK_416_KCI_Steel_556_Magazine HK Parts.net (Apr. 20, 2010) 30 Round HK 416 KCI Steel .556 Magazine; Website [Online] Available Web Site: <http://www.hkparts.net/shop/pc/30-Round-HK-416-KCI-Steel-556-Magazine-64p982.htm>; Last Update: Unknown; Accessed on: Apr. 20, 2010.
 HKParts_net_2010_SL8_20_Round_Single_Stack_Magazine HK Parts.net (May 7, 2010) SL8 20 Round Single Stack Magazine; Website [Online] Available Web Site: <http://www.hkparts.net/shop/pc/SL8-20-Round-Single-Stack-Magazine-182p805.htm>; Last Update: Jul. 6, 2010; Accessed on May 4, 2012.
 KCIMAGS_2013_KCI_Glock_17-9mm_17_Round_Magazine KCIMAGS.com (Mar. 3, 2013) KCI Glock 17—9mm 17 Round Magazine; Website [Online] Available Website: <http://www.kcimags.com/kci-glock-17-9mm-17-round-magazine/>; Last Update: Feb. 14, 2015; Accessed on: Feb. 19, 2015.
 Lancer_Systems_2010_L5_Translucent_Magazine Lancer Systems (Apr. 20, 2010) L5 Translucent Magazine; Website [Online] Available Web Site: http://www.lancer-systems.com/L5_2010_30.html; Last Update: Unknown; Accessed on: Apr. 20, 2010.
 Lancer_Systems_2010_L5_Translucent_Magazine_20-30_Round Lancer Systems (Apr. 16, 2010) L5 Translucent Magazine 2-

(56)

References Cited

OTHER PUBLICATIONS

& 30 Round Magazines; Website [Online] Available Web Site: http://www.lancer-systems.com/L5_2010_30.html; Last Update: Nov. 14, 2010; Accessed on: May 4, 2012.

Lancer_Systems_2012_AWM_Magazine Lancer Systems (2012) L5 AWM Magazine; Website [Online] Available Web Site: http://www.lancer-systems.com/L5_AWM.html; Last Update: Unknown; Accessed on: May 4, 2012.

Magpul_2010_PMAG_Magazines Magpul (Jan. 3, 2010) PMAG Magazines; Website [Online] Available Web Site: http://store.magpul.com/prod_detail_list/2 Last Update: Dec. 2, 2010 Accessed on: May 4, 2012.

Pro_Mag_Industries_2013_AK-A1_AK-47_30_Rd_Black_Polymer_Magazine Pro Mag Industries (Nov. 29, 2013) AK-A1—AK-47 7.62x39mm (30)Rd Black Polymer Magazine; Website [Online] Available Website: <https://promagindustries.com/ak-47-variants/59-ak-47-762x39mm-30rd-black-polymer-magazine.html>; Last Update: Jul. 5, 2014; Accessed on: Feb. 20, 2015.

Pro_Mag_Industries_2014_GLK-A8_Glock_17_19_26_9mm_32_Rd_Black_Polymer_Magazine Pro Mag Industries (Feb. 9, 2014) GLK-A8—Glock 17 / 19 / 26 9mm (32)Rd Black Polymer Magazine; Website [Online] Available Website: <https://promagindustries.com/glock/149-glock-17-19-26-9mm-32rd-black-polymer-magazine.html>; Last Update: Jun. 28, 2014; Accessed on: Feb. 19, 2015.

Remtek_com_1999_Steyr_AUG_Magazine_Group Remtek.com (Oct. 4, 1999) Steyr AUG Magazine Group; Website [Online] Available Web Site: <http://www.remtek.com/arms/steyr/aug/specs/magazine/magazine.htm> Last Update: Apr. 7, 2009; Accessed on: May 4, 2012.

Tapco_2011_30rd_AK-47_Magazine_Black Tapco (Oct. 9, 2011) 30rd AK-47 Magazine—Black; Website [Online] Available Website: <http://www.tapco.com/products/ak/index.php?a=viewProd&productId=9>; Last Update: Oct. 27, 2013; Accessed on: Feb. 20, 2015.

Tangodown_2010_ARC-L_Magazine TangoDown (Apr. 20, 2010) ARC-L Magazine; Website [Online] Available Web Site: http://tangodown.com/shop/product_info.php?products_id=126; Last Update: Unknown, Accessed on: Apr. 20, 2010.

ThermoldMagazines_com_2010_Magazines Thermoldmagazines.com (Apr. 20, 2010) Magazines; Website [Online] Available Web Site: <http://www.thermoldmagazines.com/magazines.html>; Last Update: Unknown; Accessed on: Apr. 20, 2010.

ThermoldMagazines_com_2012_M-16AR-M15-30-Magazines Thermoldmagazines.com (2012) M-16/AR-15/30-Magazine; Website [Online] Available Web Site: <http://www.thermoldmagazines.com/collections/magazines-accessories/products/m-16-ar-15-30-magazine>; Last Update: Unknown; Accessed on: May 4, 2012.

Troy_2010_Troy_BattleMag Troy Industries (Apr. 20, 2010) Troy BattleMag; Website [Online] Available Web Site: http://store.troyind.com/Troy_BattleMag_p/smag-sin-00bt-00.htm; Last Update: Unknown; Accessed on: Apr. 20, 2010.

Design U.S. Appl. No. 29/486,625, “Firearm Magazine”, filed Apr. 1, 2014.

Design U.S. Appl. No. 29/502,184, “Floor Plate for a Firearm Magazine”, filed Sep. 12, 2014.

Design U.S. Appl. No. 29/512,725, “Firearm Magazine Body”, filed Dec. 22, 2014.

* cited by examiner

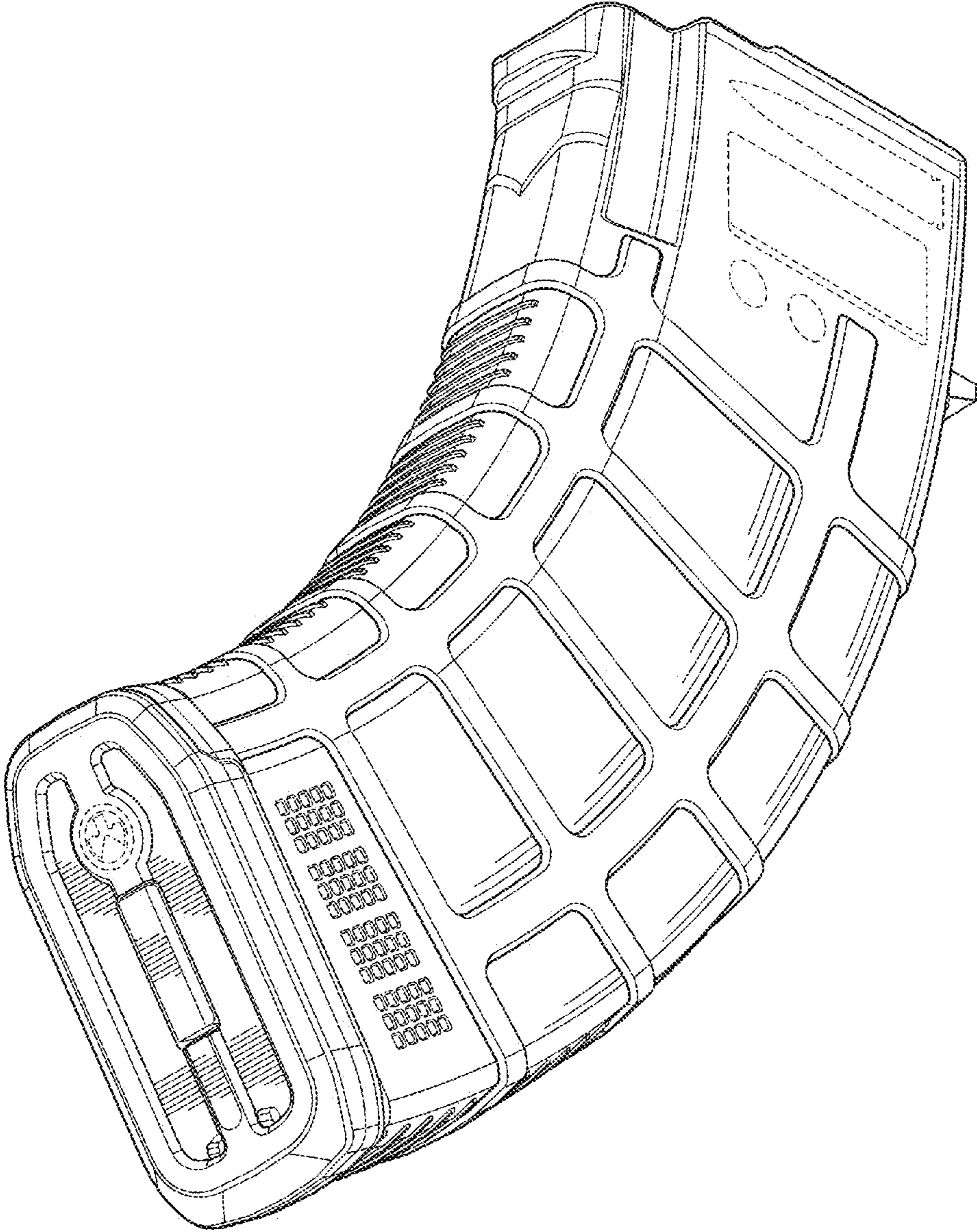


FIG. 1

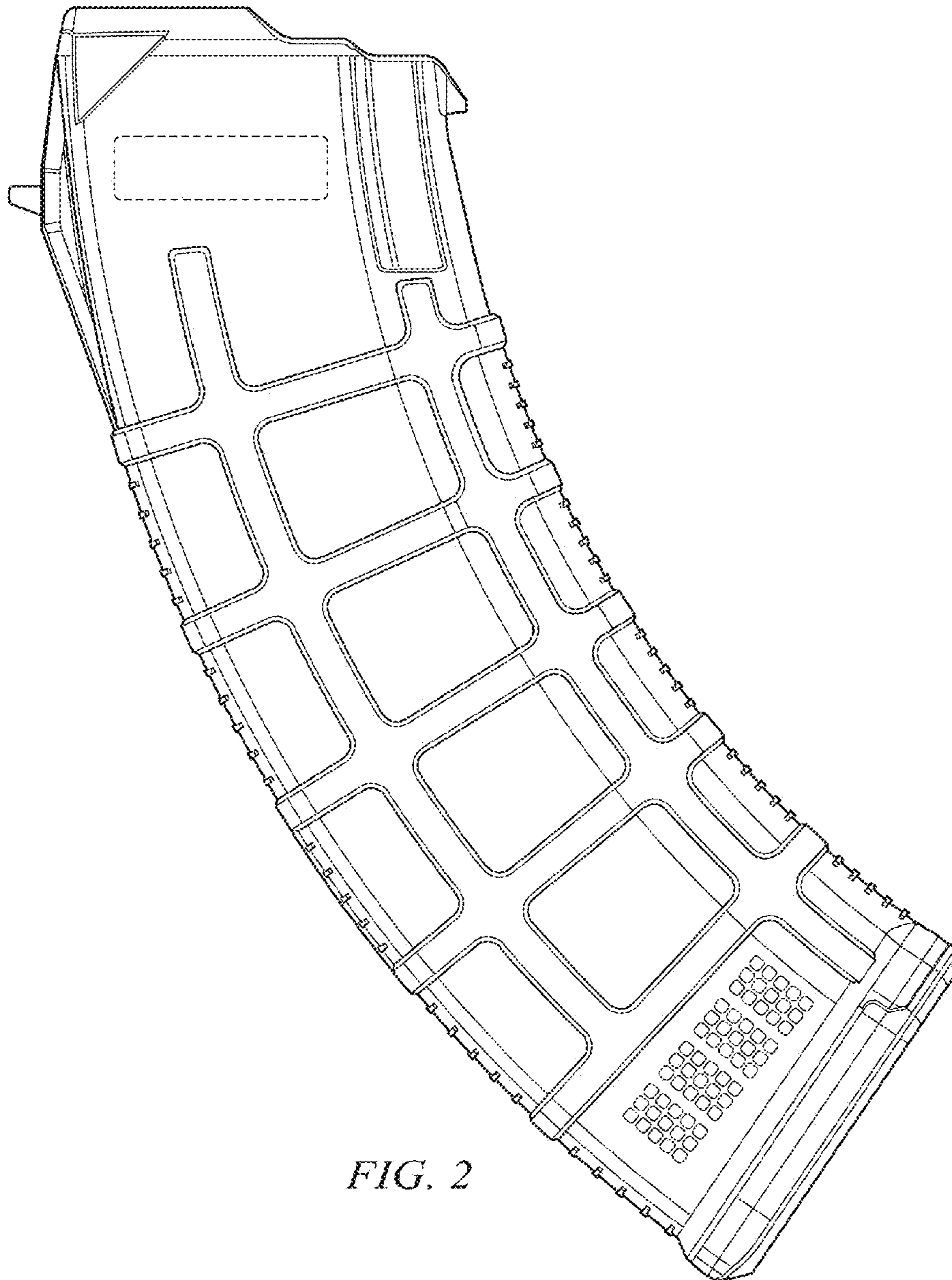


FIG. 2

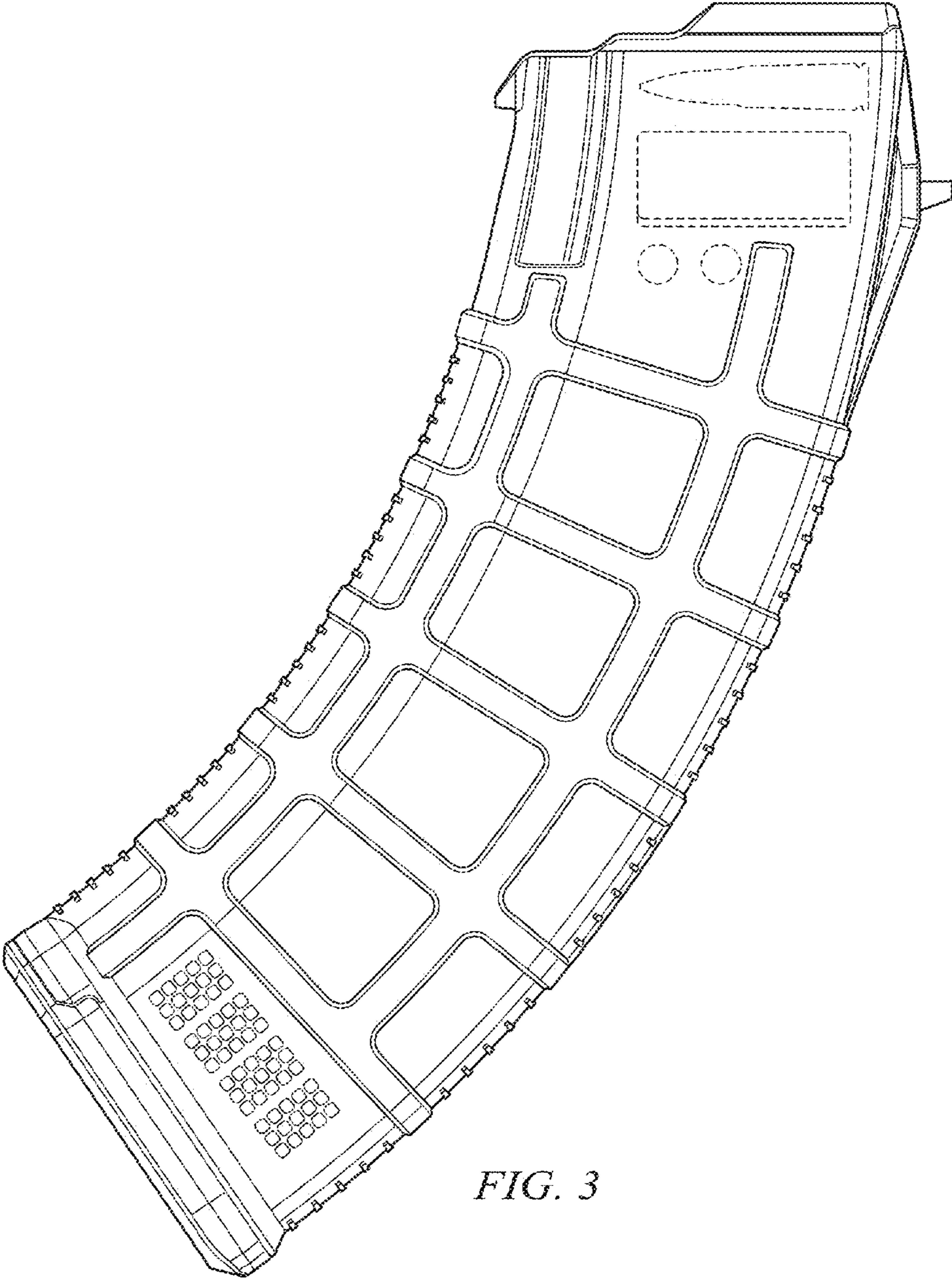


FIG. 3

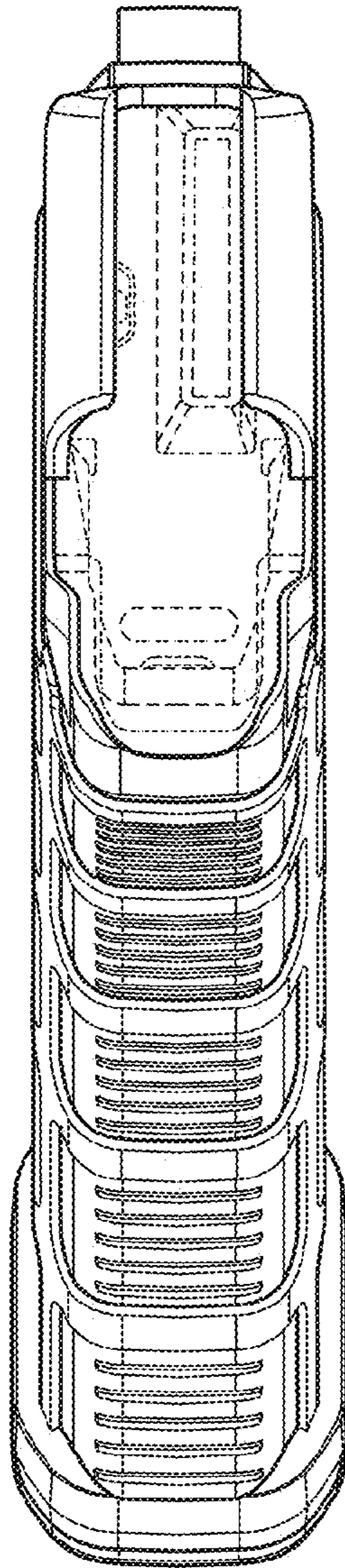


FIG. 4

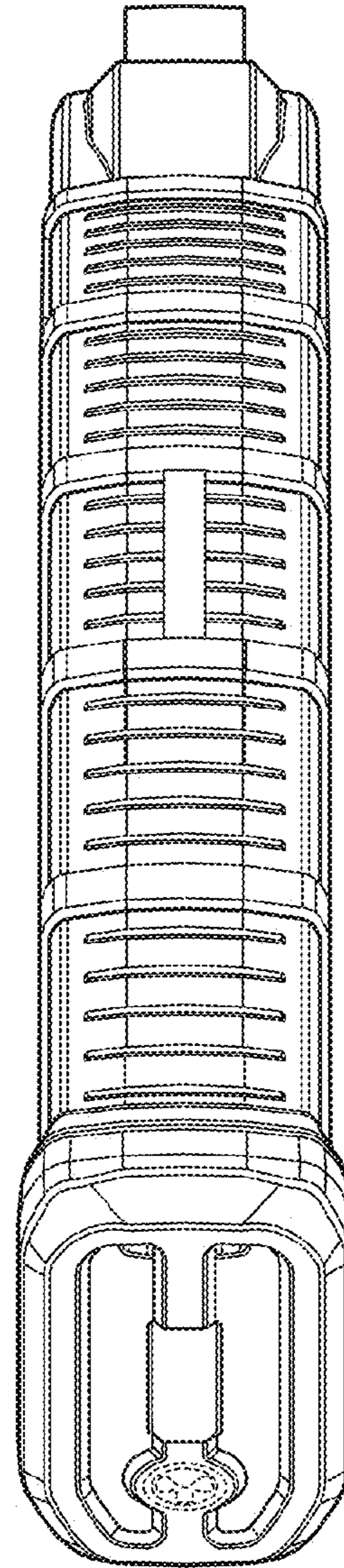


FIG. 5

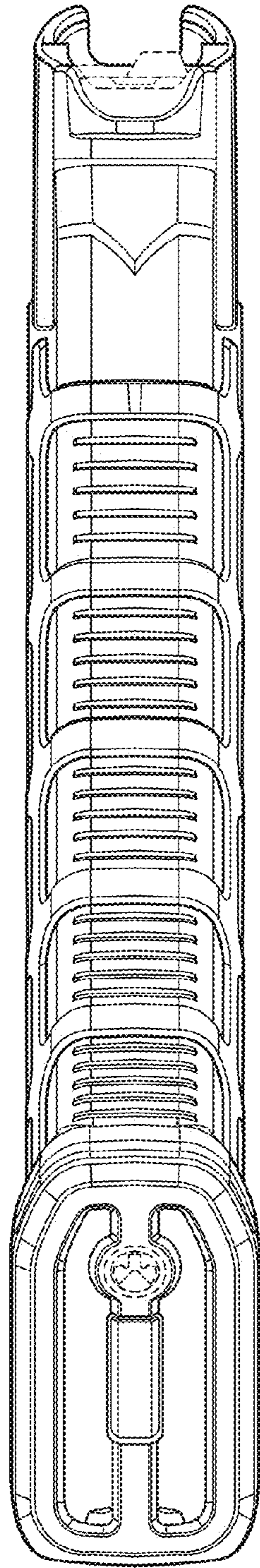


FIG. 6

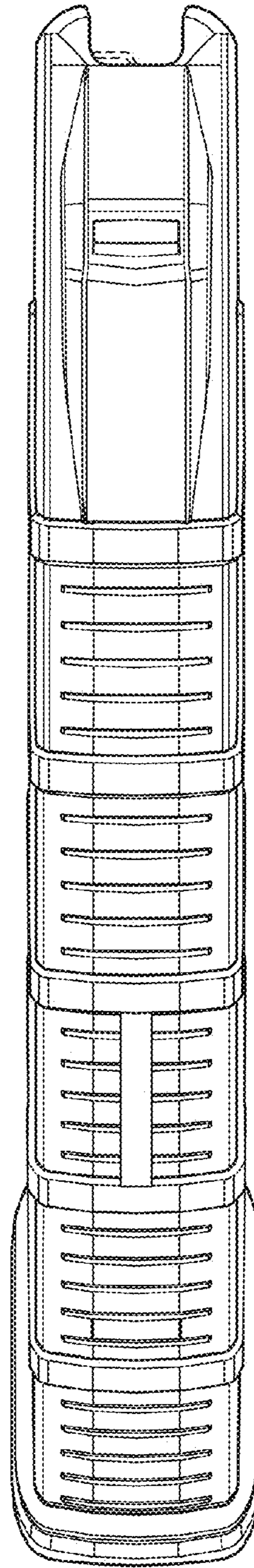


FIG. 7

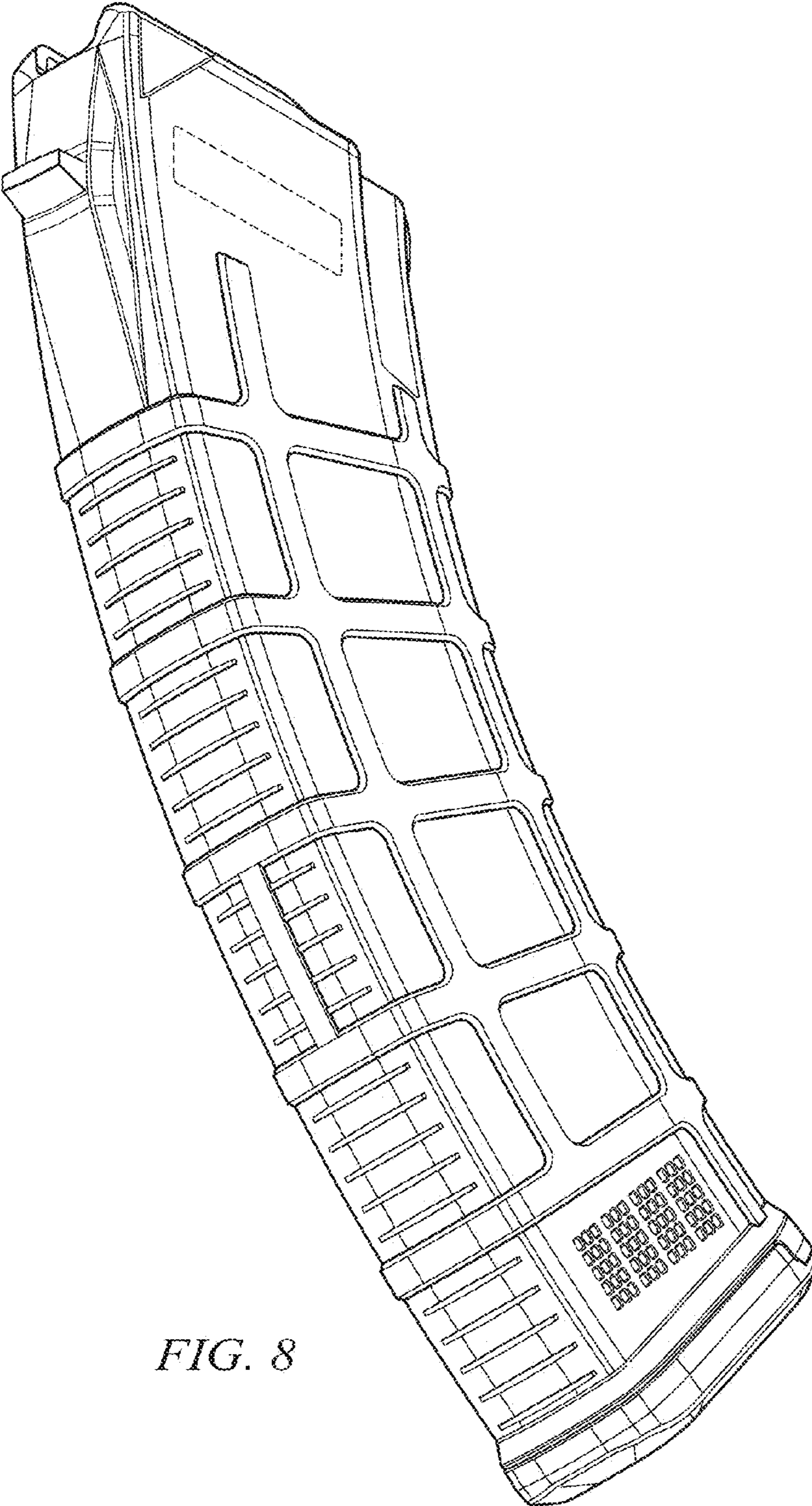


FIG. 8