



US00D765809S

(12) **United States Design Patent**
Peterson et al.

(10) **Patent No.:** **US D765,809 S**

(45) **Date of Patent:** **** Sep. 6, 2016**

(54) **GOLF CLUB HEAD**

(71) Applicant: **CALLAWAY GOLF COMPANY**,
Carlsbad, CA (US)

(72) Inventors: **Randolph J. Peterson**, Carlsbad, CA
(US); **Scott R. Manwaring**, Carlsbad,
CA (US); **Tim Goudarzi**, San Marcos,
CA (US); **Wayne H. Byrne**, Murrieta,
CA (US); **Jordan M. Greenlaw**,
Carlsbad, CA (US); **Roger Cleveland**,
Los Angeles, CA (US)

(73) Assignee: **Callaway Golf Company**, Carlsbad,
CA (US)

(**) Term: **15 Years**

(21) Appl. No.: **29/534,151**

(22) Filed: **Jul. 27, 2015**

Related U.S. Application Data

(63) Continuation-in-part of application No. 29/514,940,
filed on Jan. 19, 2015, now Pat. No. Des. 751,660.

(51) **LOC (10) Cl.** **21-02**

(52) **U.S. Cl.**
USPC **D21/759**

(58) **Field of Classification Search**

USPC D2/747-751, 759
CPC A63B 53/00; A63B 53/04; A63B 53/047;
A63B 53/0475; A63B 53/065

See application file for complete search history.

(56) **References Cited**

U.S. PATENT DOCUMENTS

D294,617 S * 3/1988 Perkins D21/749
4,754,977 A * 7/1988 Sahn A63B 53/04
473/337

(Continued)

Primary Examiner — Mitchell Siegel

(74) *Attorney, Agent, or Firm* — Rebecca Hanovice;
Michael Catania; Sonia Lari

(57) **CLAIM**

The ornamental design for a golf club head, as shown and
described.

DESCRIPTION

FIG. 1 is a top perspective view of a first embodiment of the
golf club head;

FIG. 2 is a rear elevation view of the golf club head of FIG.
1;

FIG. 3 is a front elevation view of the golf club head of FIG.
1;

FIG. 4 is a heel-side elevation view of the golf club head of
FIG. 1;

FIG. 5 is a toe-side elevation view of the golf club head of
FIG. 1;

FIG. 6 is a top plan view of the golf club head of FIG. 1;
FIG. 7 is a bottom plan view of the golf club head of FIG.
1;

FIG. 8 is a top perspective view of a second embodiment of
the golf club head;

FIG. 9 is a rear elevation view of the golf club head of FIG.
8;

FIG. 10 is a front elevation view of the golf club head of
FIG. 8;

FIG. 11 is a heel-side elevation view of the golf club head
of FIG. 8;

FIG. 12 is a toe-side elevation view of the golf club head of
FIG. 8;

FIG. 13 is a top plan view of the golf club head of FIG. 8;
FIG. 14 is a bottom plan view of the golf club head of FIG.
8;

FIG. 15 is a top perspective view of a third embodiment of
the golf club head;

FIG. 16 is a rear elevation view of the golf club head of FIG.
15;

FIG. 17 is a front elevation view of the golf club head of
FIG. 15;

FIG. 18 is a heel-side elevation view of the golf club head
of FIG. 15;

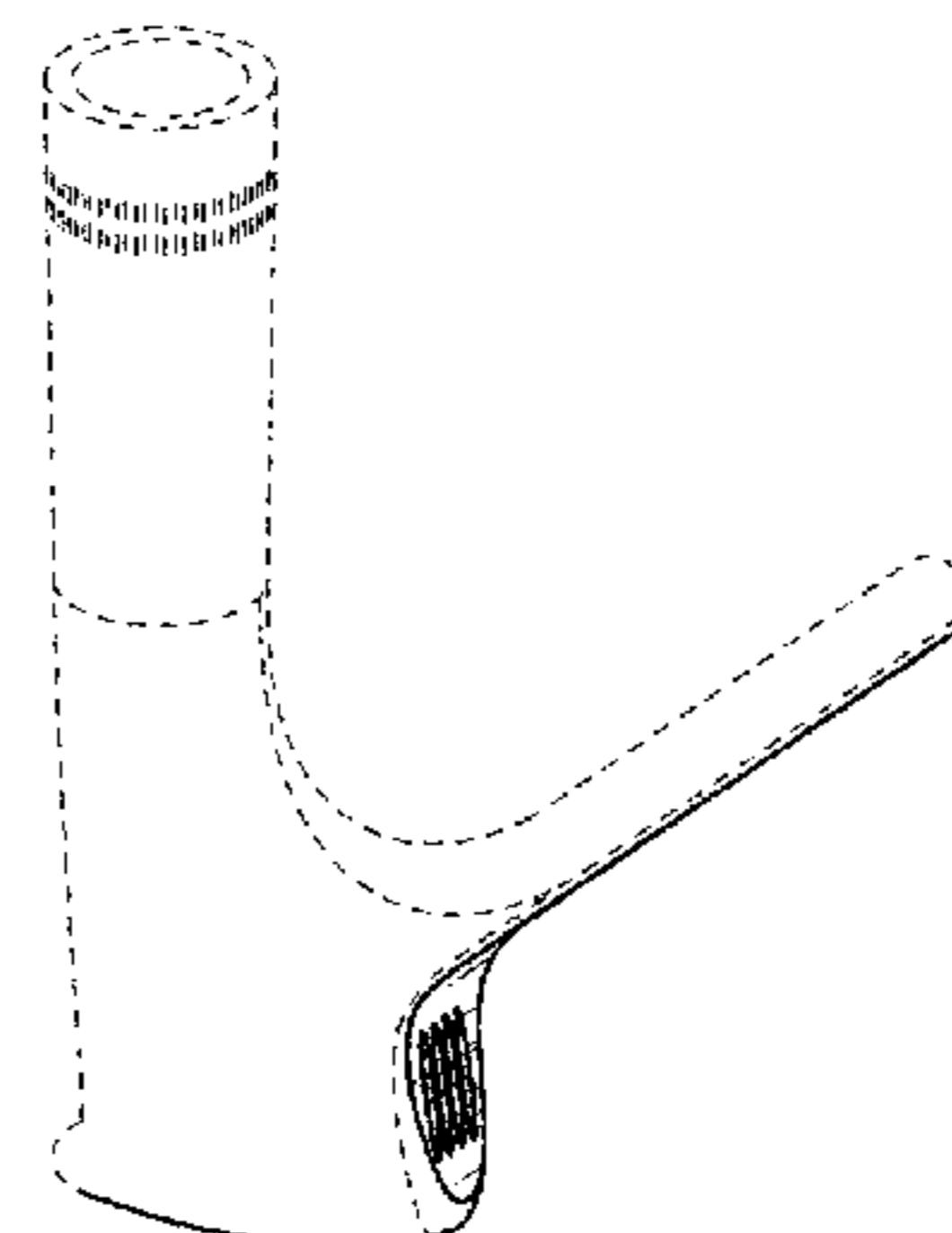
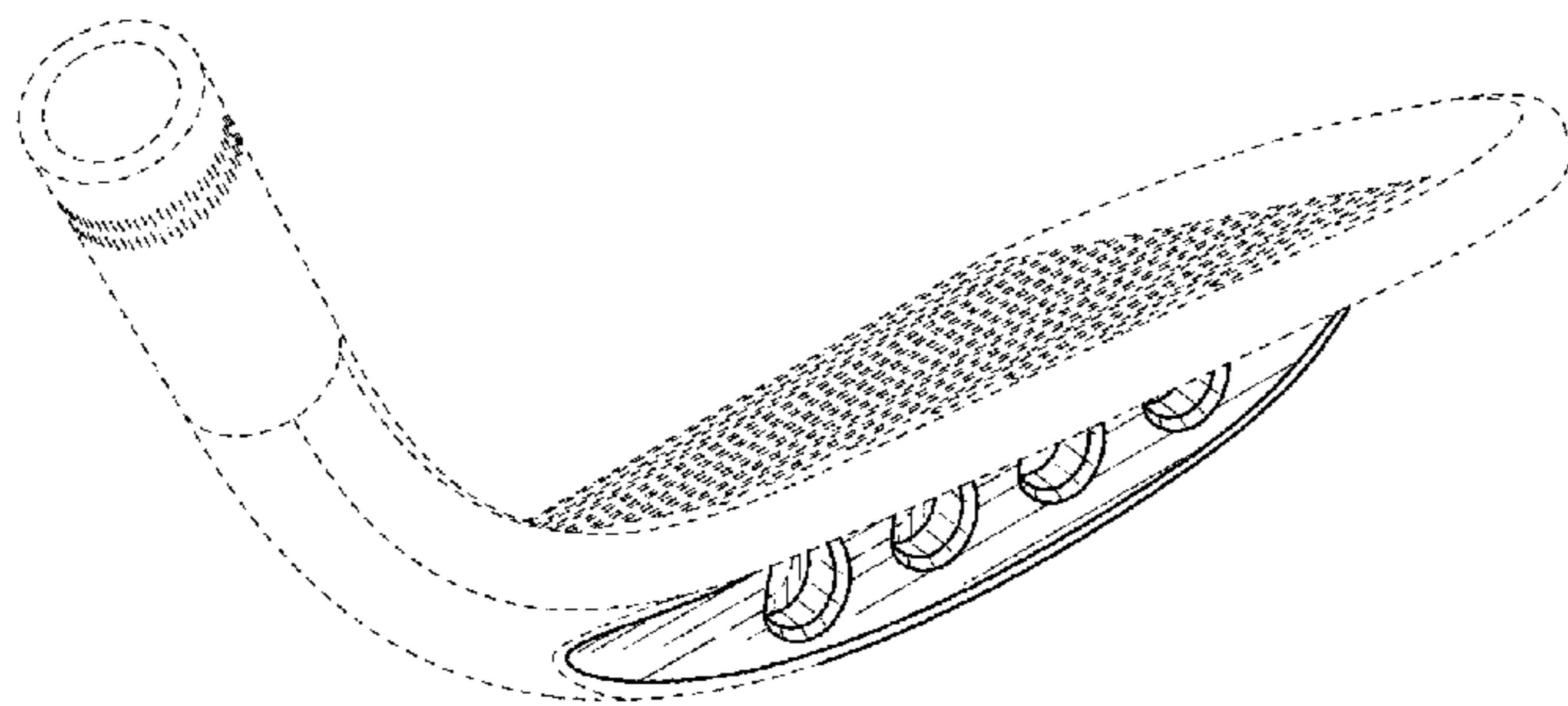
FIG. 19 is a toe-side elevation view of the golf club head of
FIG. 15;

FIG. 20 is a top plan view of the golf club head of FIG. 15;
and,

FIG. 21 is a bottom plan view of the golf club head of FIG.
15.

The broken lines in the drawings are included for the
purpose of illustration only and form no part of the claimed
design.

1 Claim, 9 Drawing Sheets



(56)

References Cited

U.S. PATENT DOCUMENTS

5,158,296 A *	10/1992	Lee	A63B 60/50					
				473/327					
D346,840 S *	5/1994	Fenton	D21/751					
D395,476 S *	6/1998	Pond	D21/747					
D421,080 S *	2/2000	Chen	D21/747					
D426,276 S *	6/2000	Besnard	D21/747					
6,077,171 A *	6/2000	Yoneyama	A63B 53/04					
				473/291					
D449,866 S *	10/2001	Miller	D21/747					
6,348,014 B1 *	2/2002	Chiu	A63B 53/065					
				473/337					
D473,605 S *	4/2003	Petersen	D21/747					
D476,048 S *	6/2003	Cleveland	D21/747					
7,121,956 B2 *	10/2006	Lo	A63B 53/04					
				473/335					
D534,595 S *	1/2007	Hasebe	D21/747					
D543,601 S *	5/2007	Kawami	D21/759					
D555,219 S *	11/2007	Lin	D21/759					
D600,763 S *	9/2009	Cameron	D21/759					
7,588,502 B2 *	9/2009	Nishino	A63B 53/0466					
				473/332					
D661,753 S *	6/2012	Cameron	D21/759					
D722,352 S *	2/2015	Nicolette	D21/747					
D723,120 S *	2/2015	Nicolette	D21/747					
D726,265 S *	4/2015	Nicolette	D21/747					
D746,926 S *	1/2016	Parsons	D21/747					
D748,214 S *	1/2016	Nicolette	D21/747					
D748,749 S *	2/2016	Nicolette	D21/759					
D751,660 S *	3/2016	Greenlaw	D21/759					
D756,471 S *	5/2016	Nicolette	D21/747					
2005/0277485 A1 *	12/2005	Hou	A63B 53/047					
				473/332					

* cited by examiner

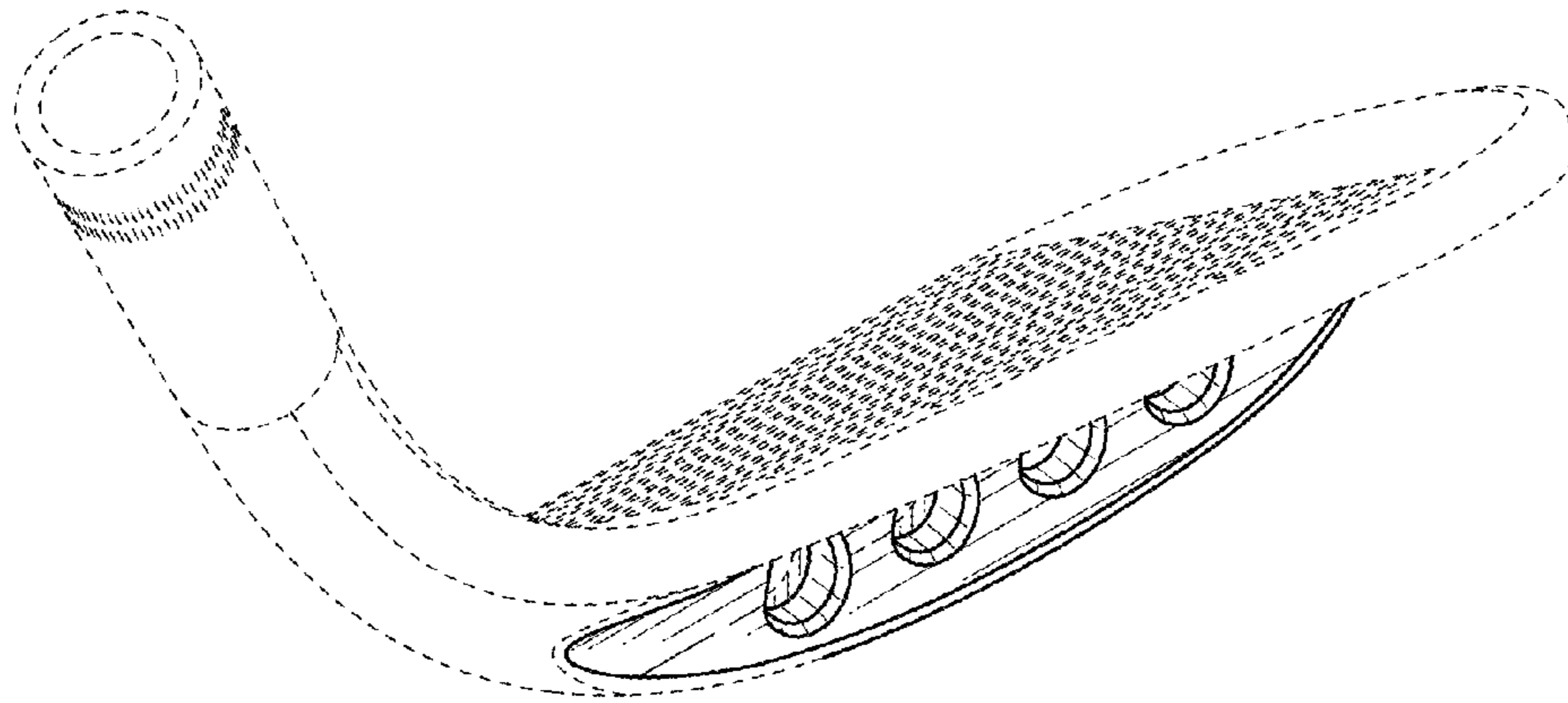


FIG. 1

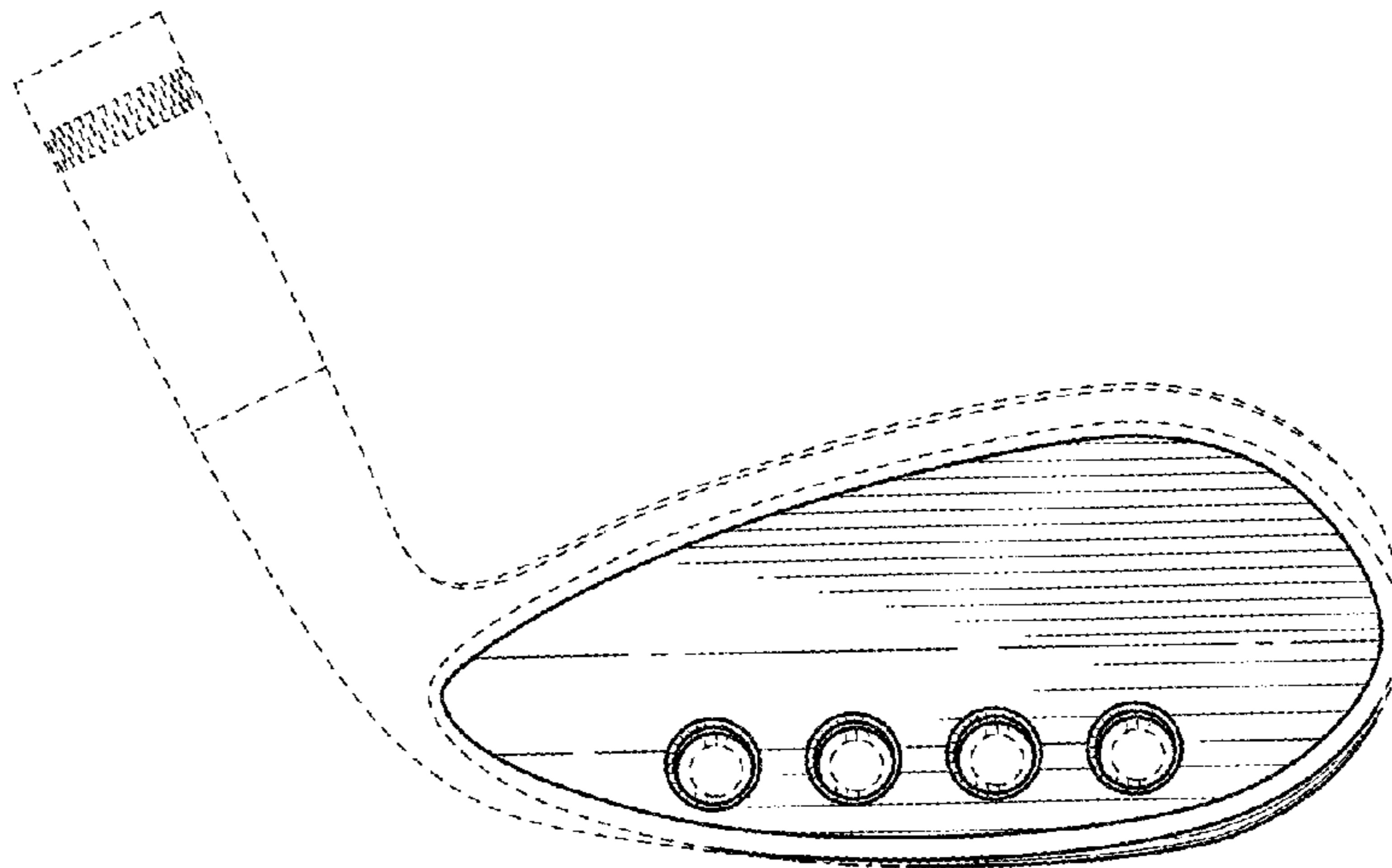


FIG. 2

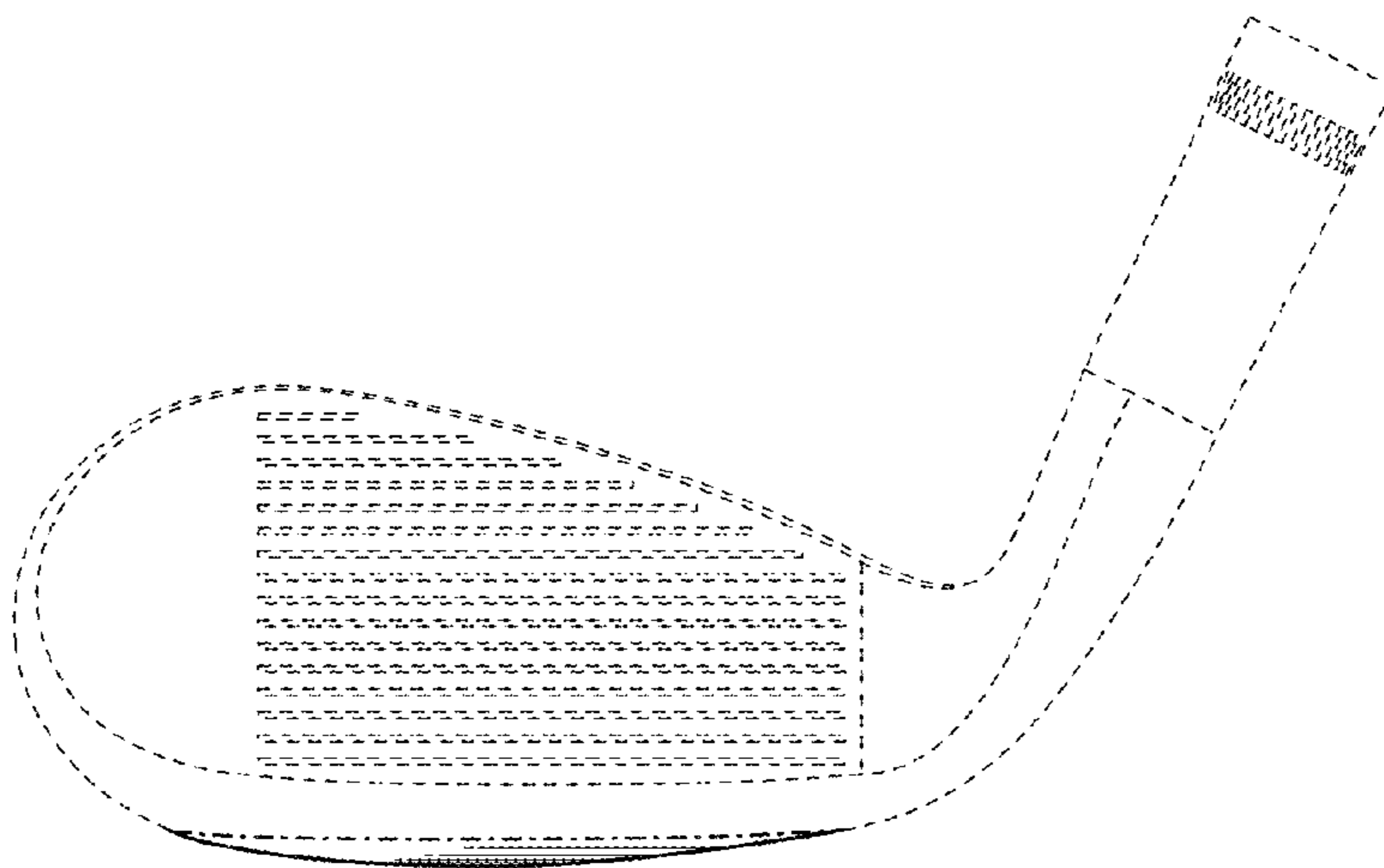


FIG. 3

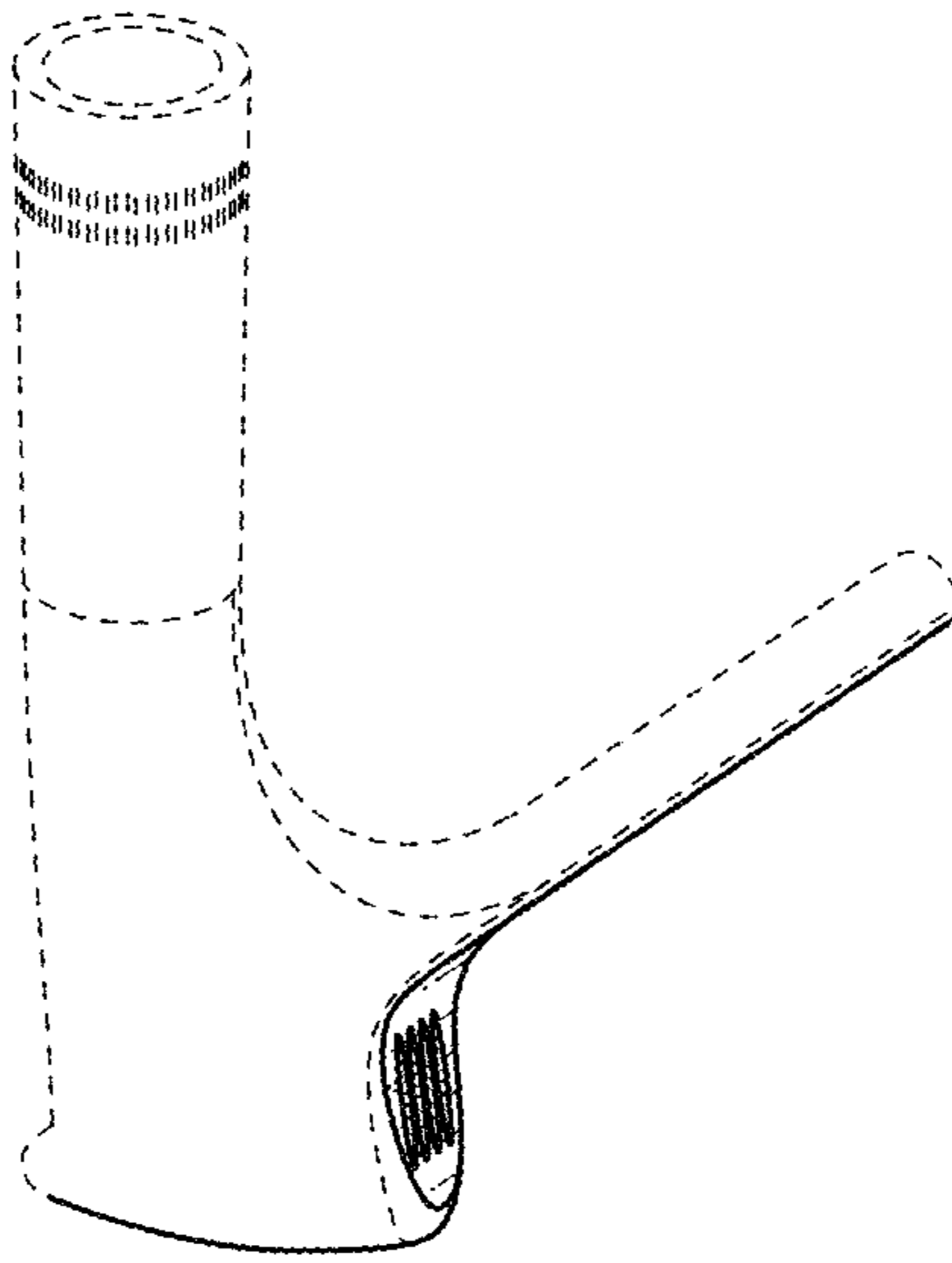


FIG. 4

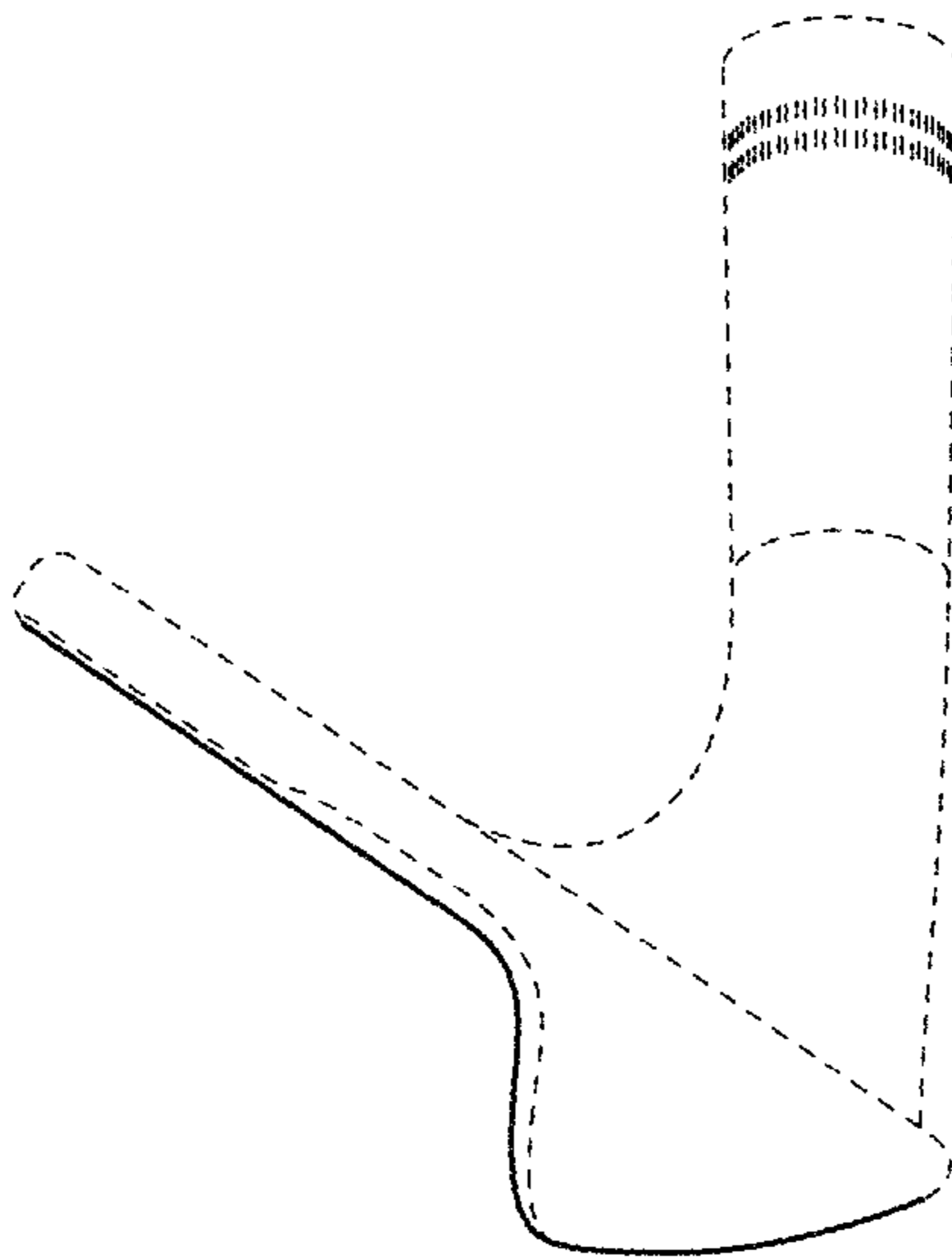


FIG. 5

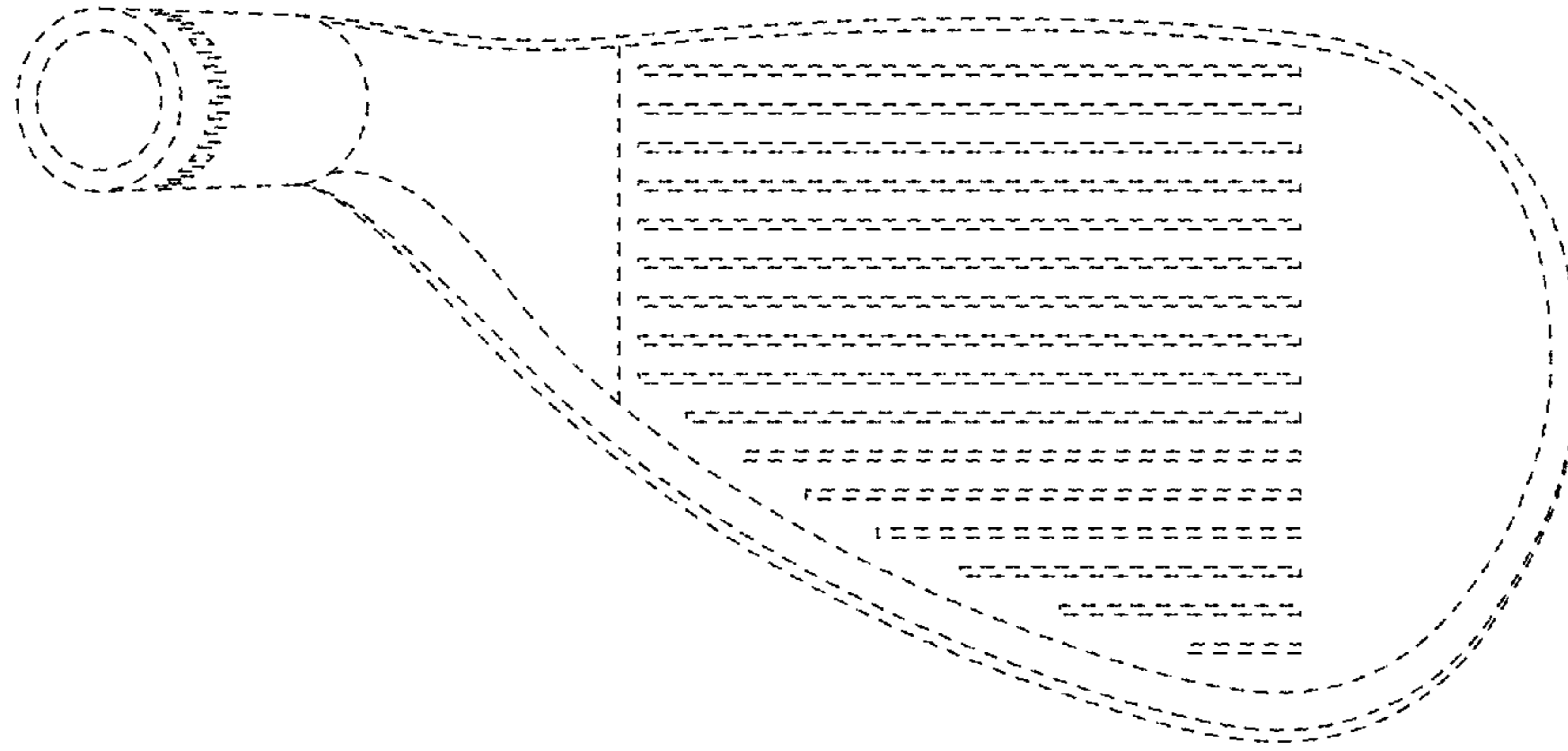


FIG. 6

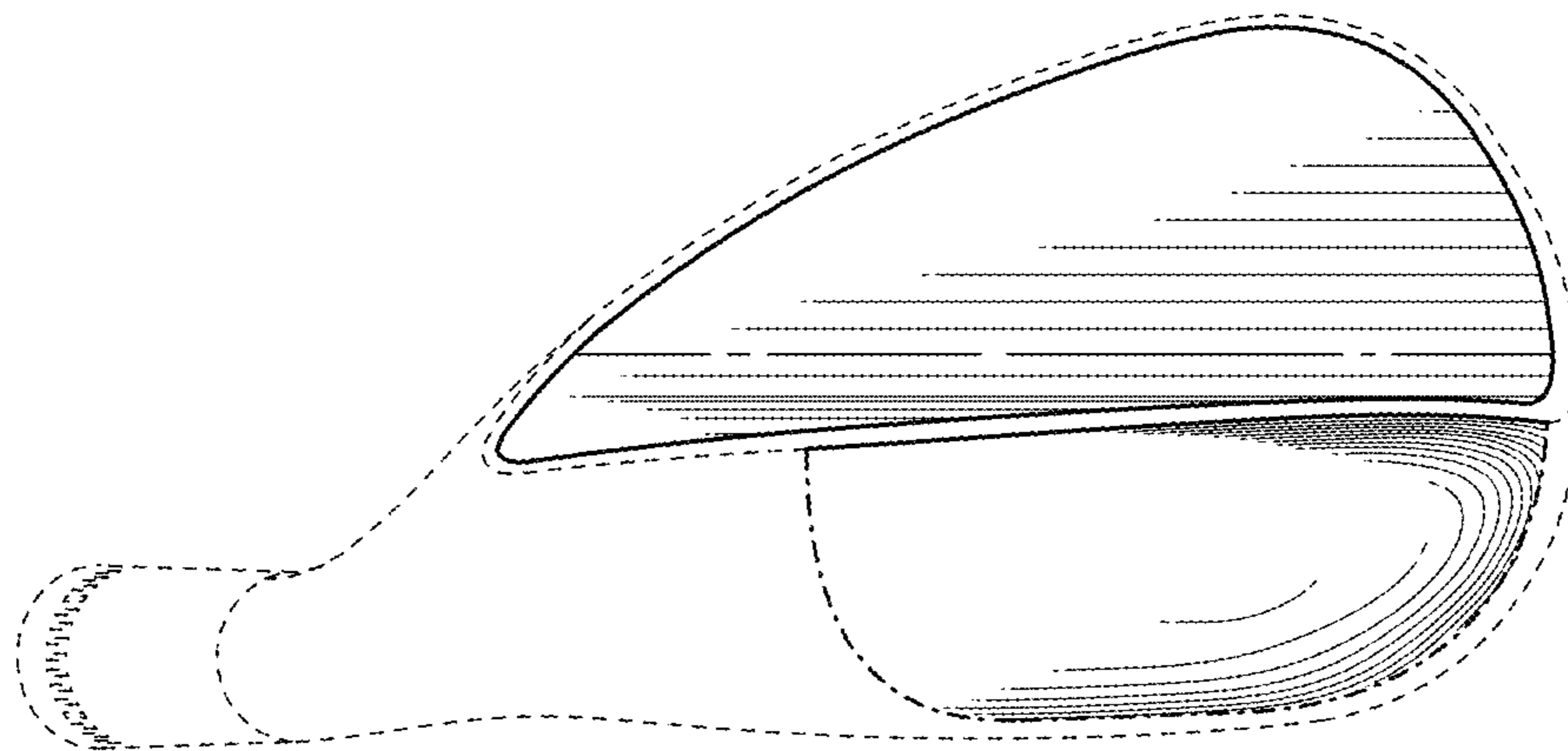


FIG. 7

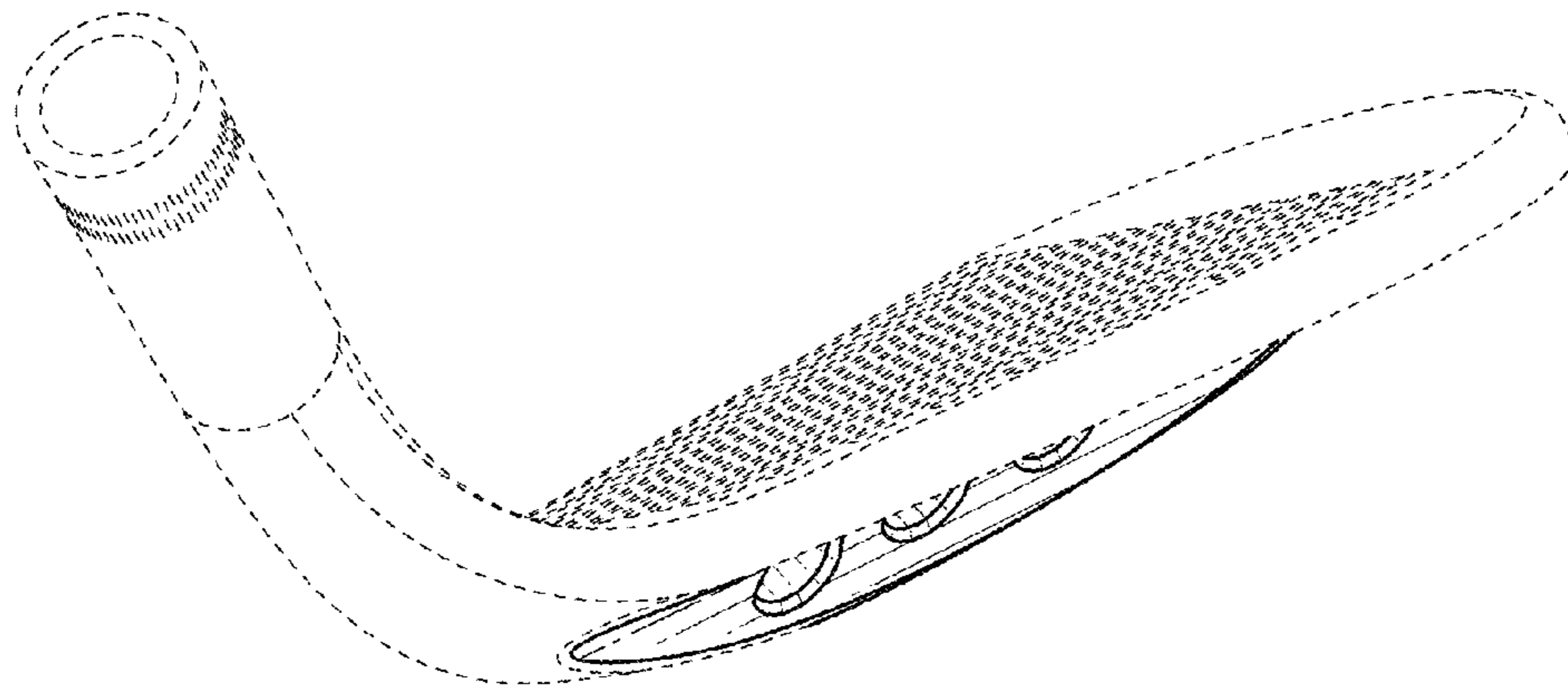


FIG. 8

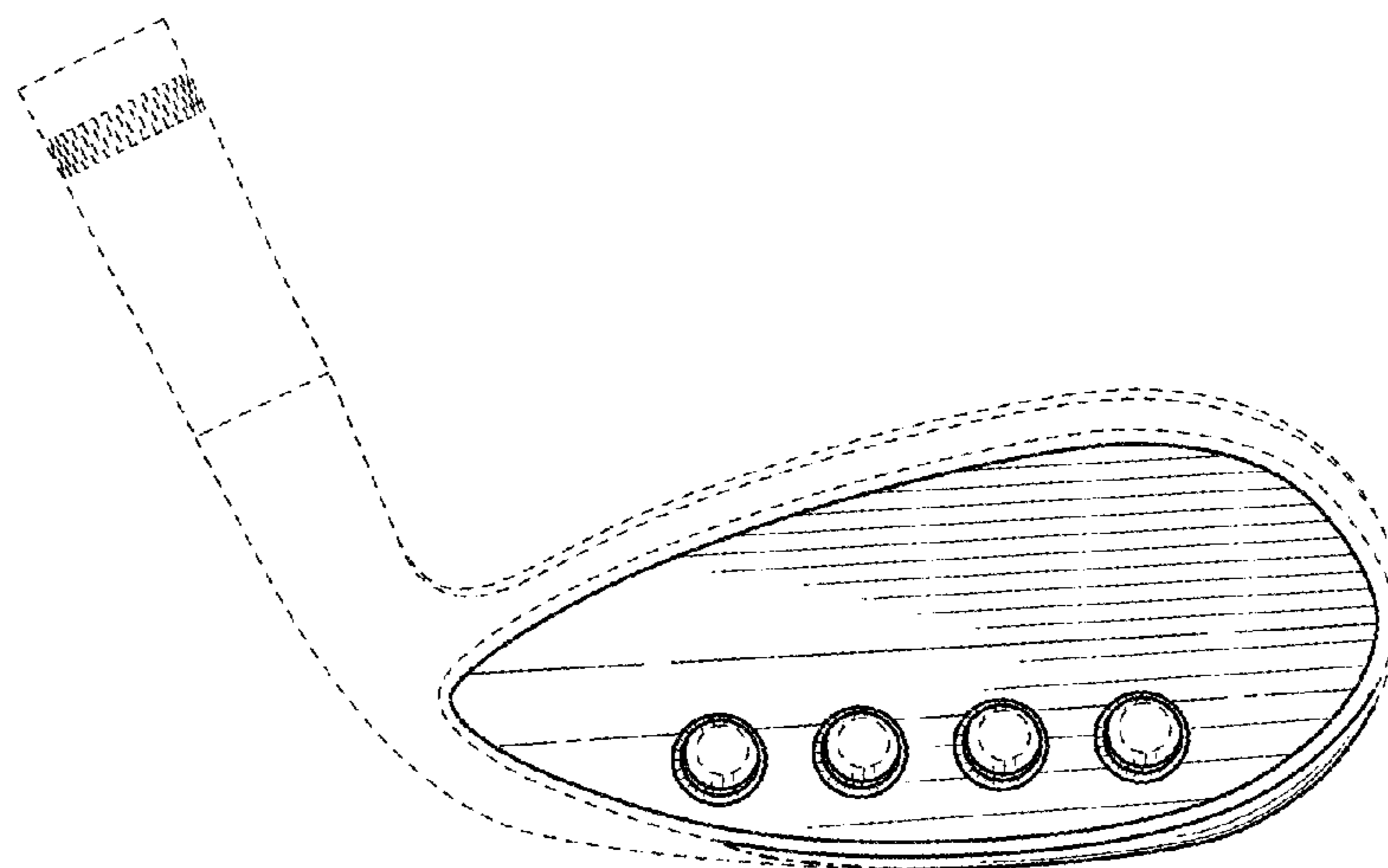


FIG. 9

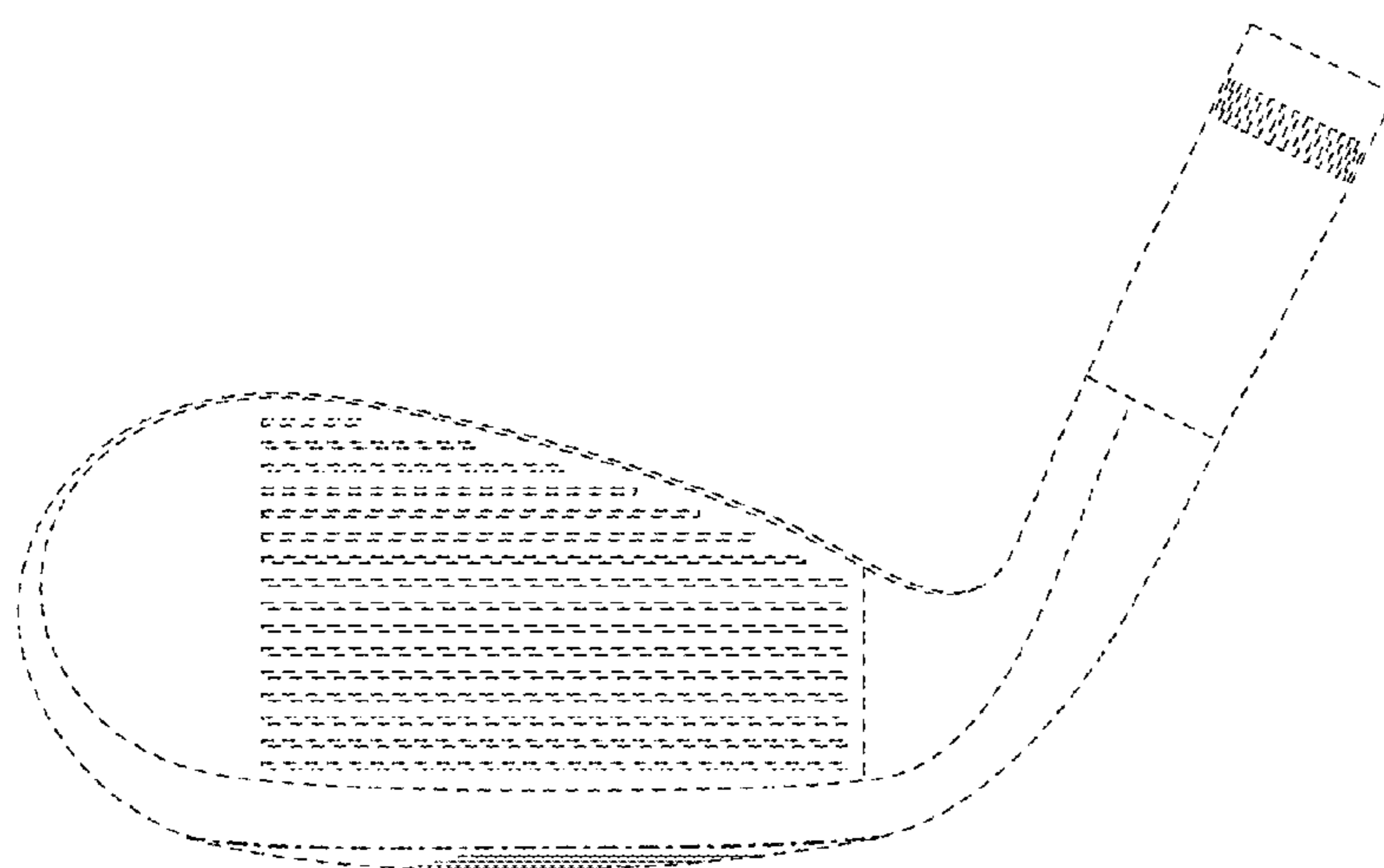


FIG. 10

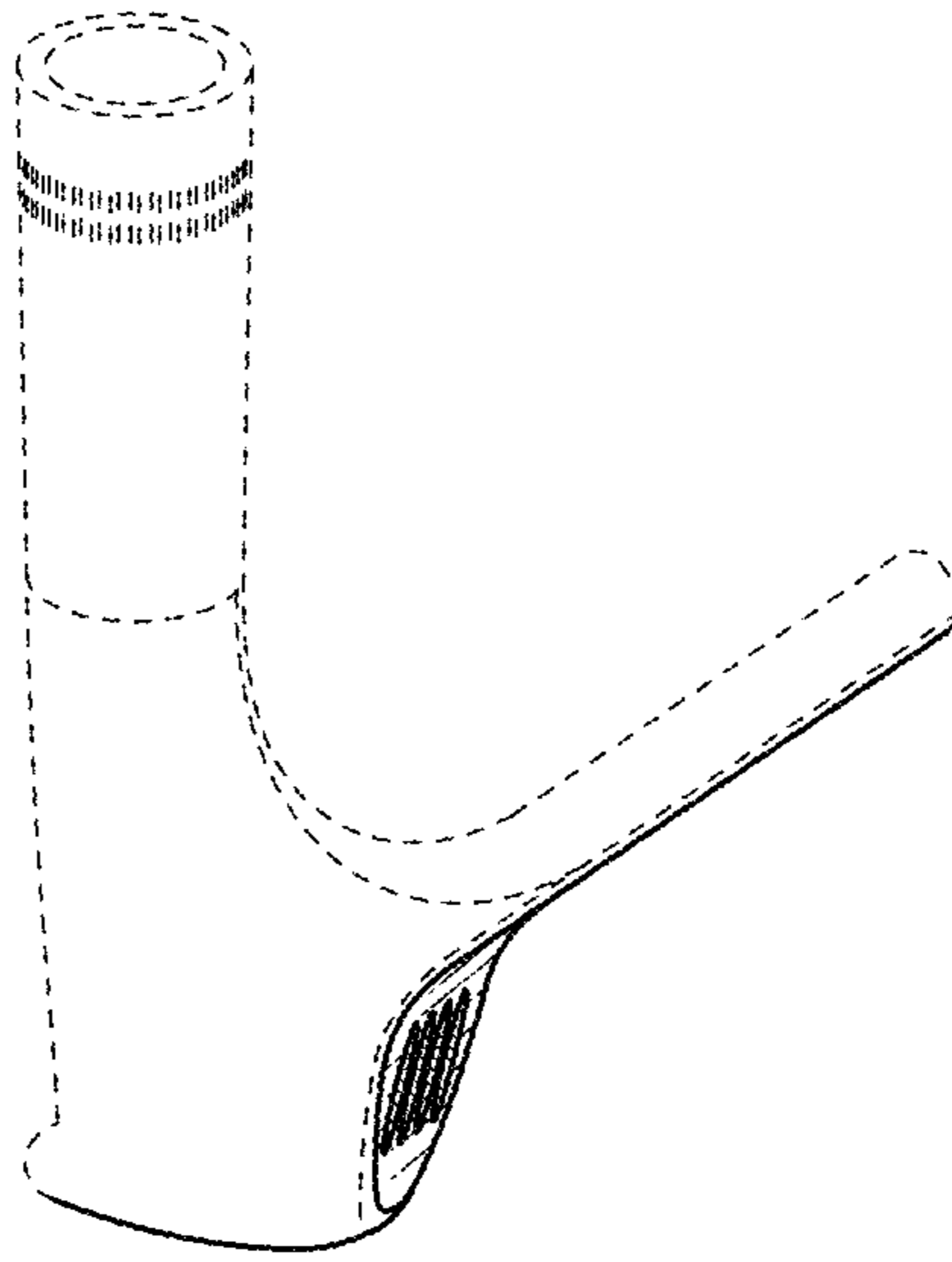


FIG. 11

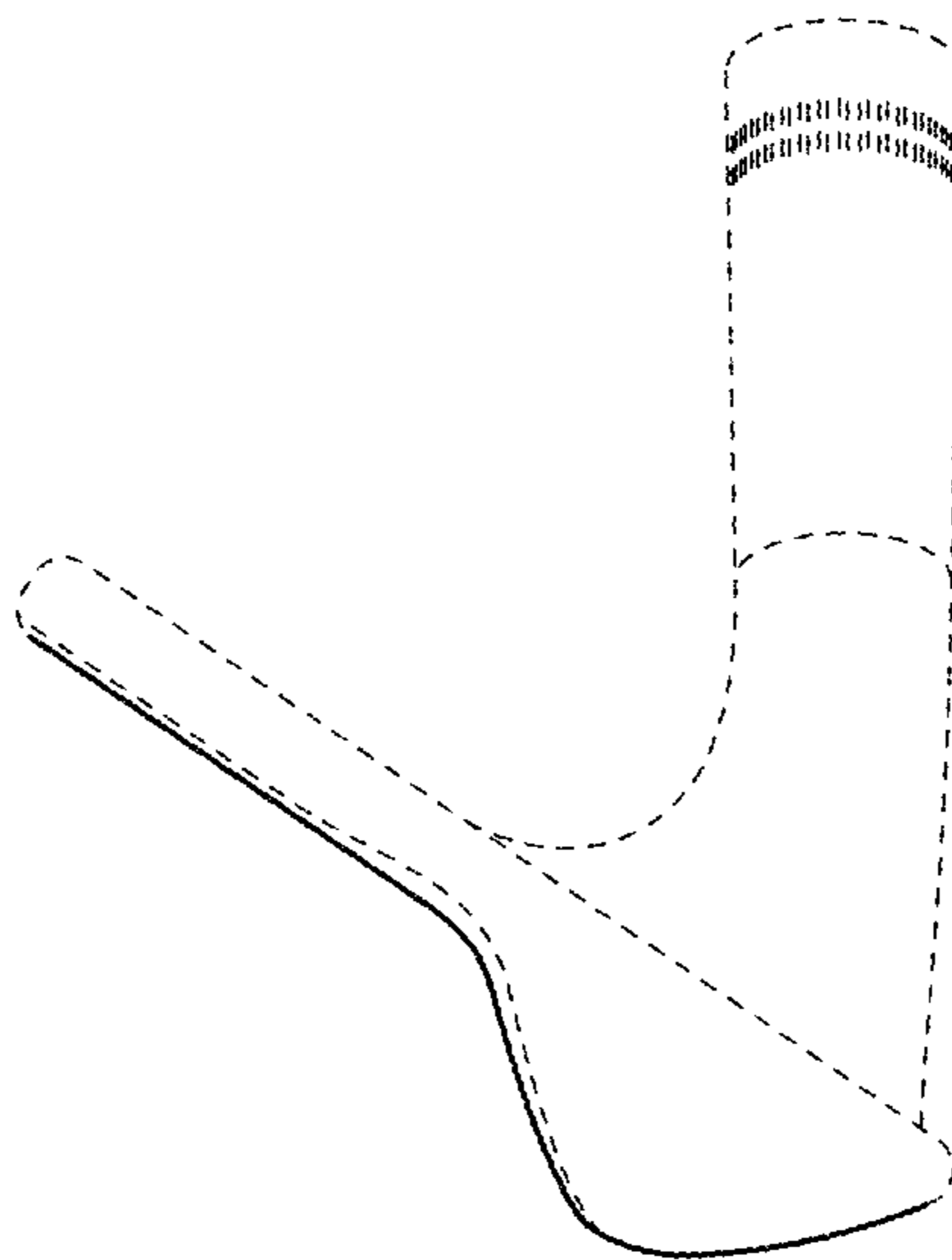


FIG. 12

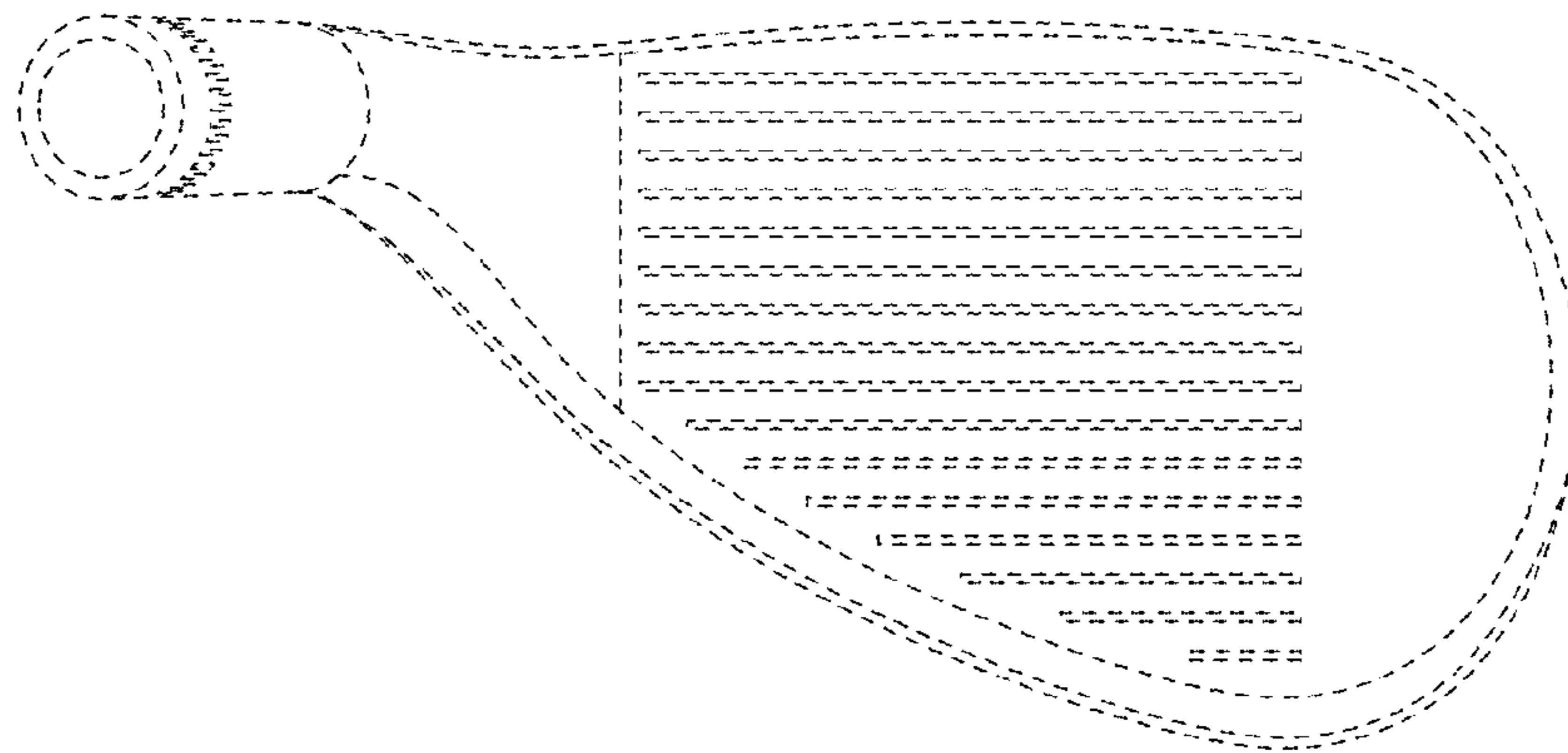


FIG. 13

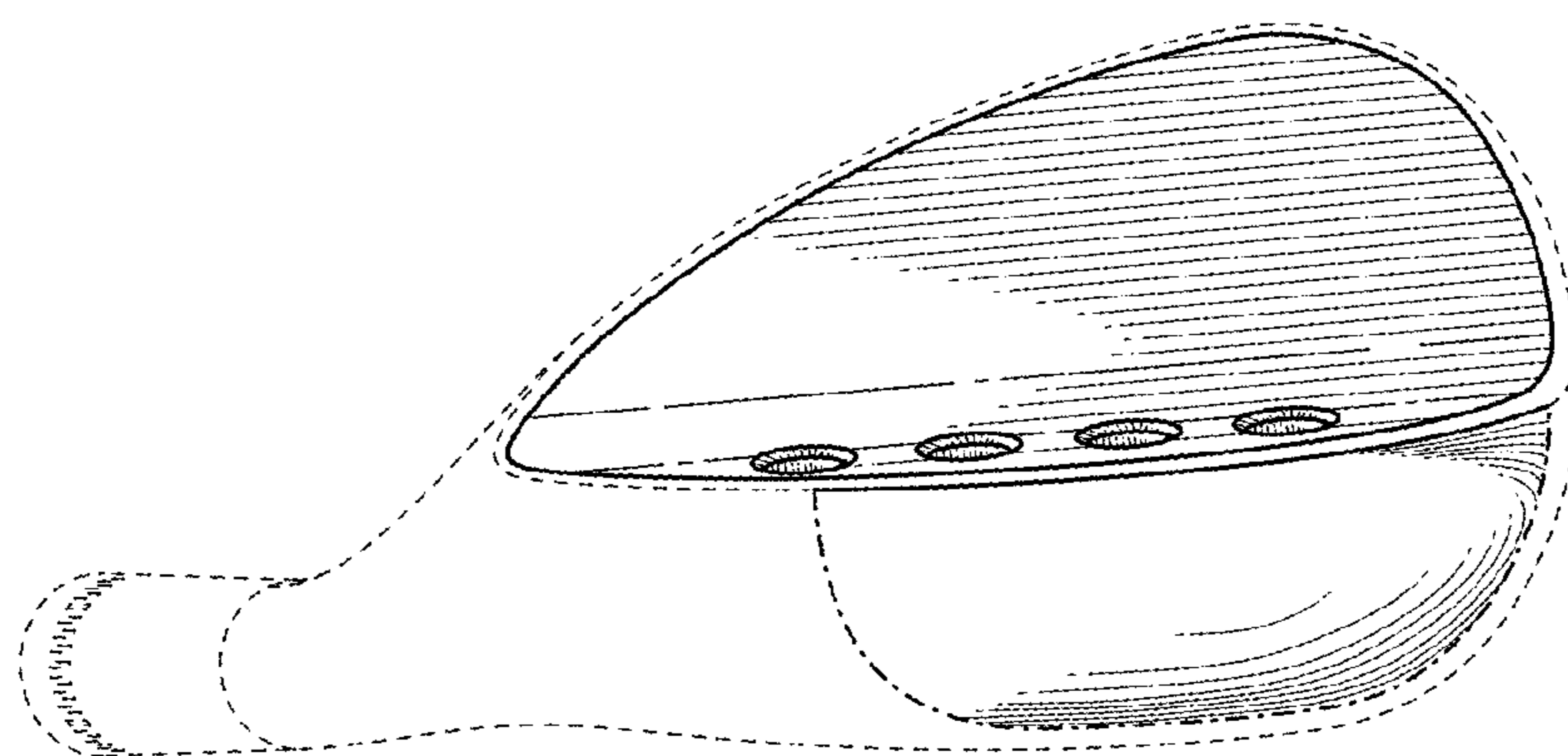


FIG. 14

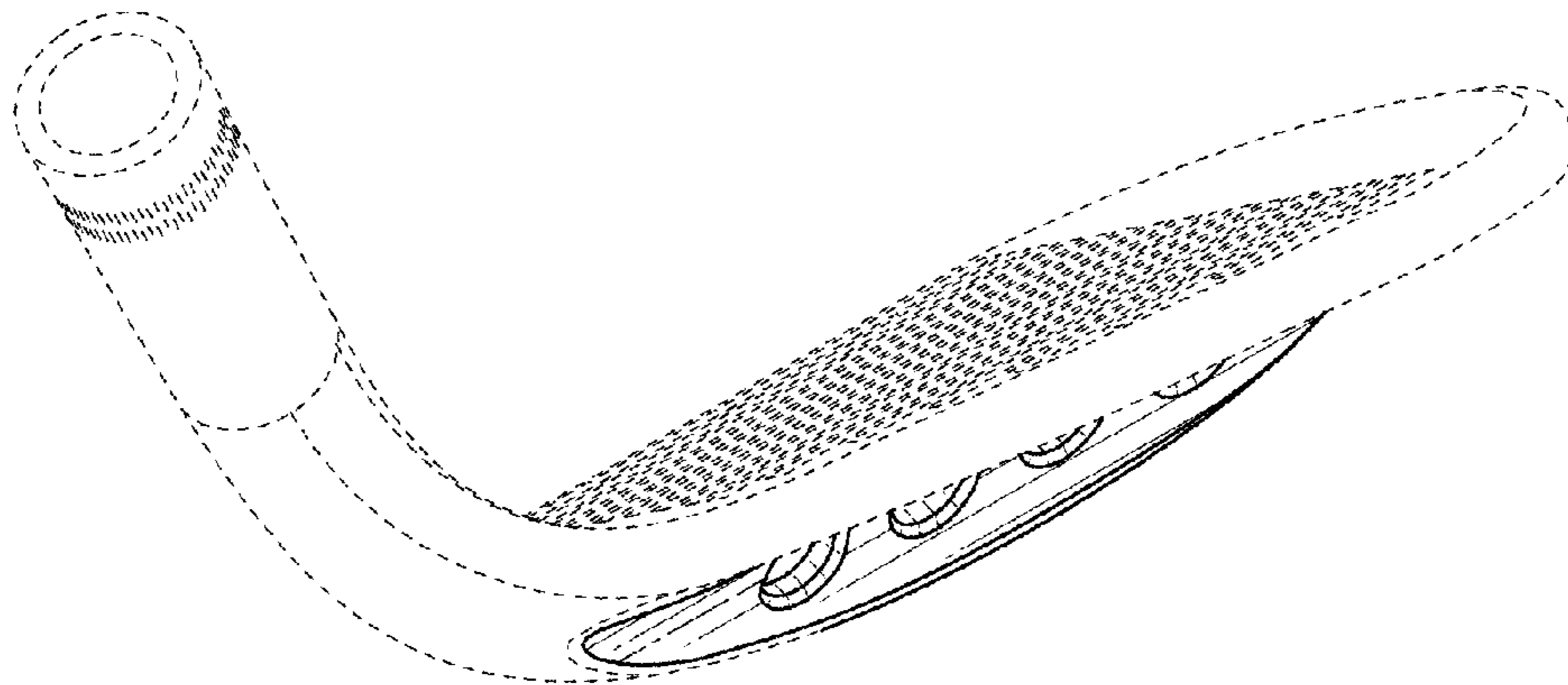


FIG. 15

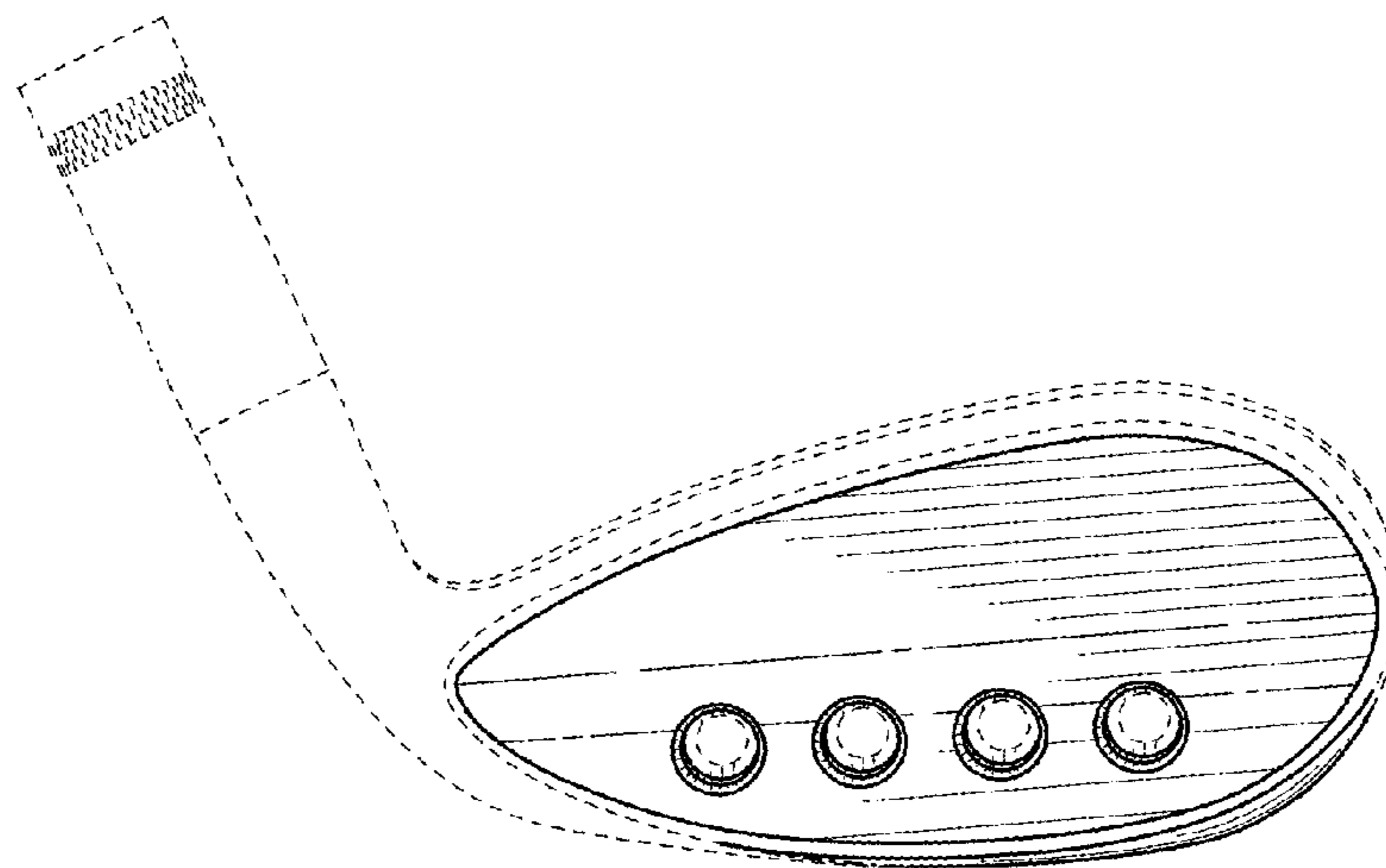


FIG. 16

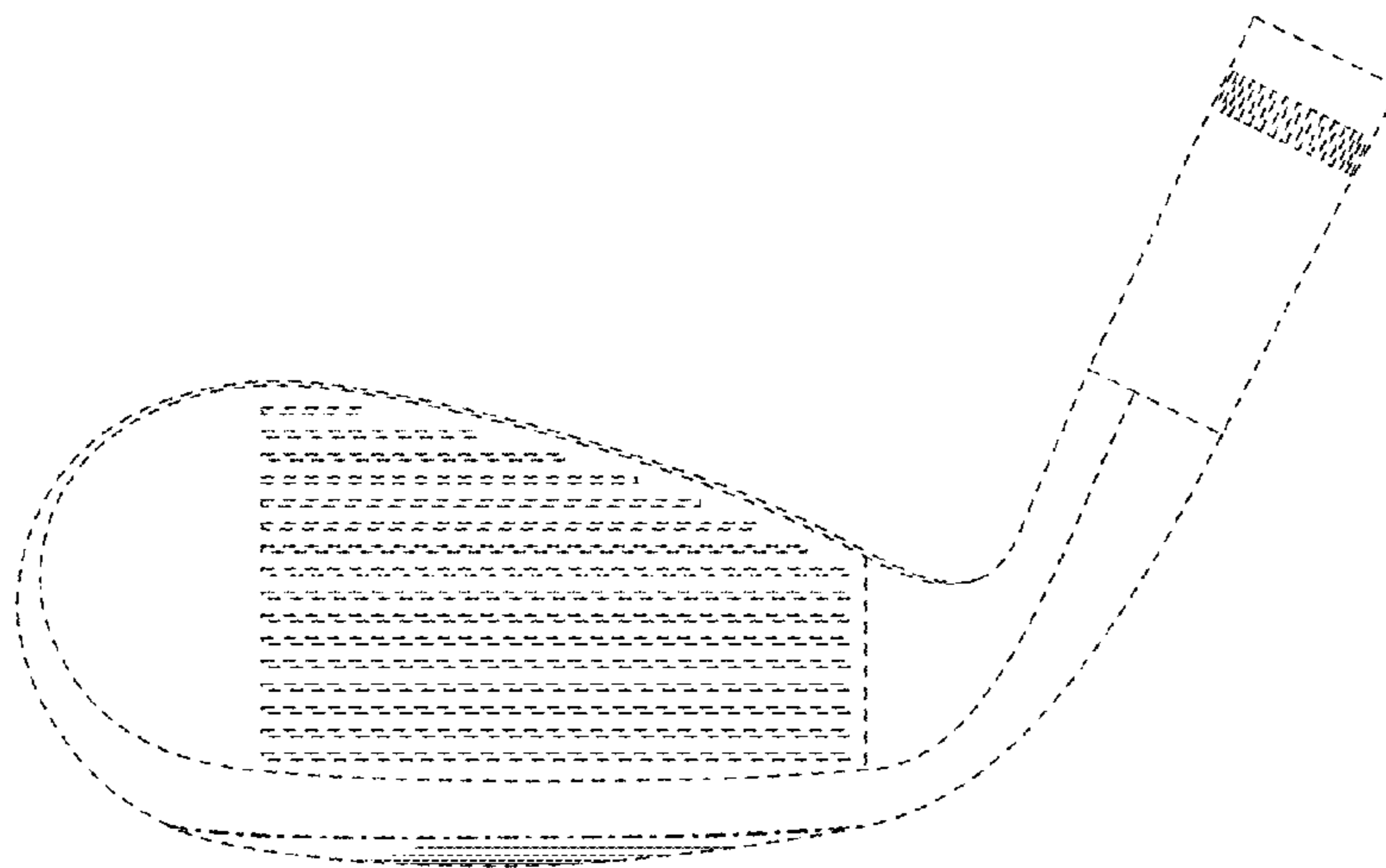


FIG. 17

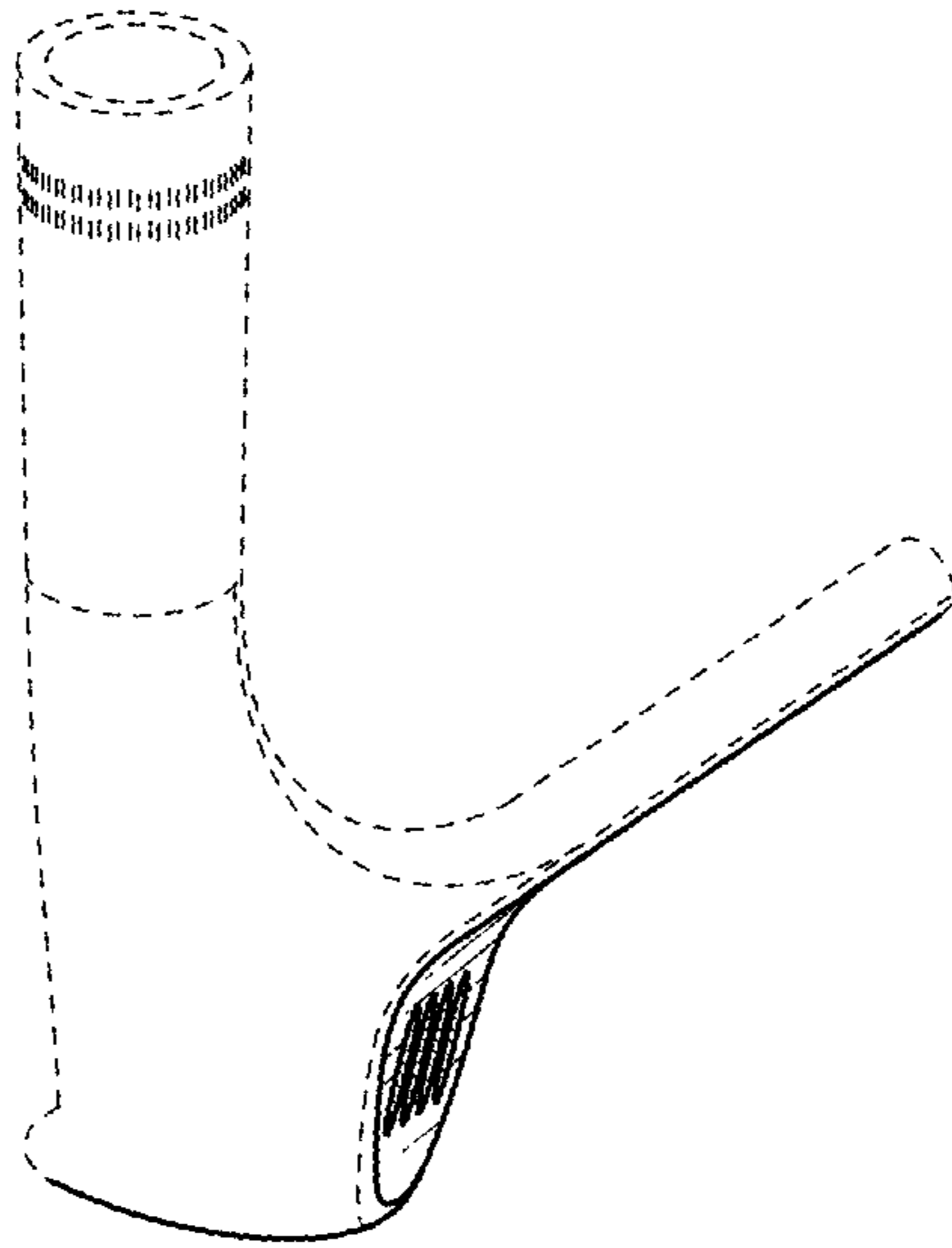


FIG. 18

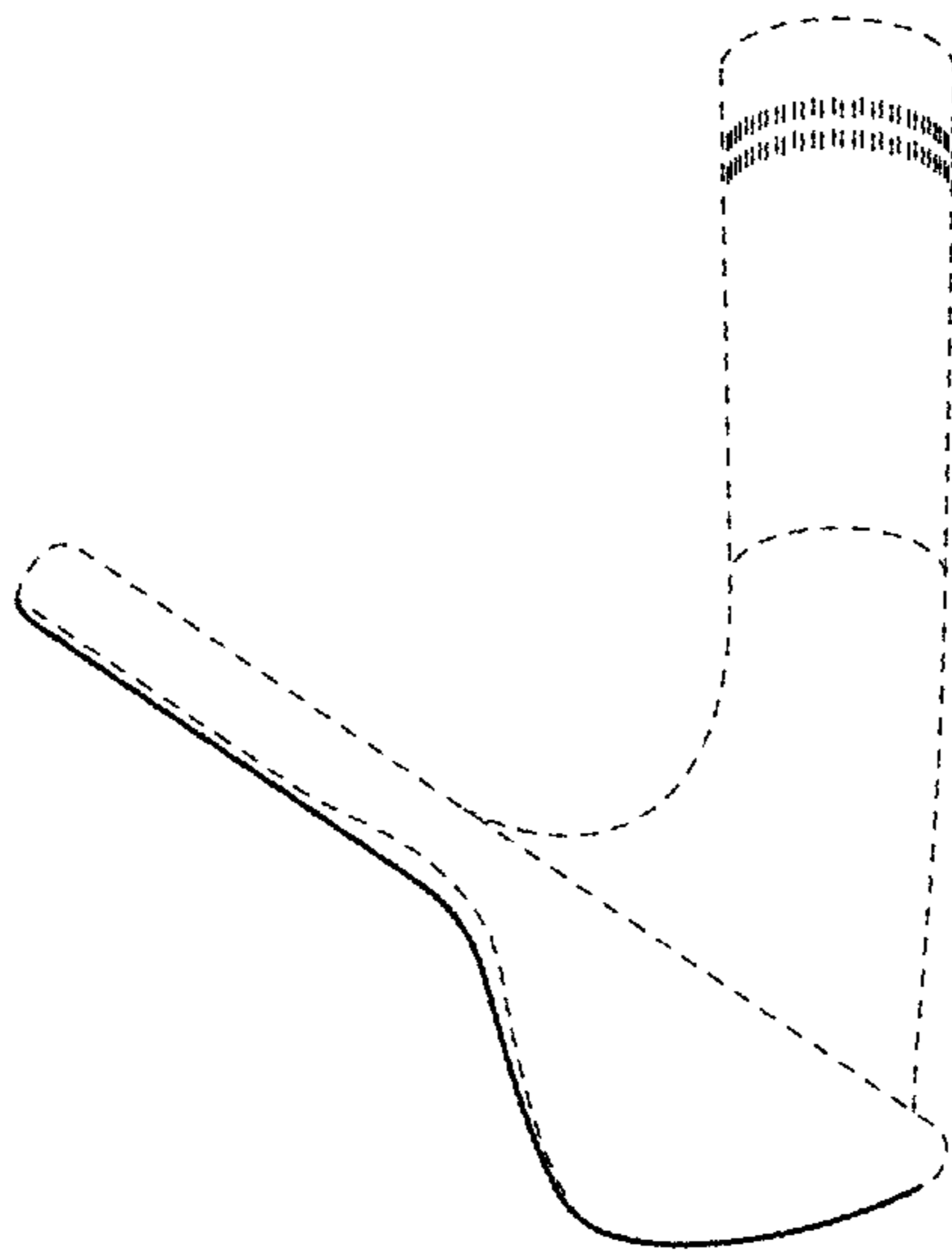


FIG. 19

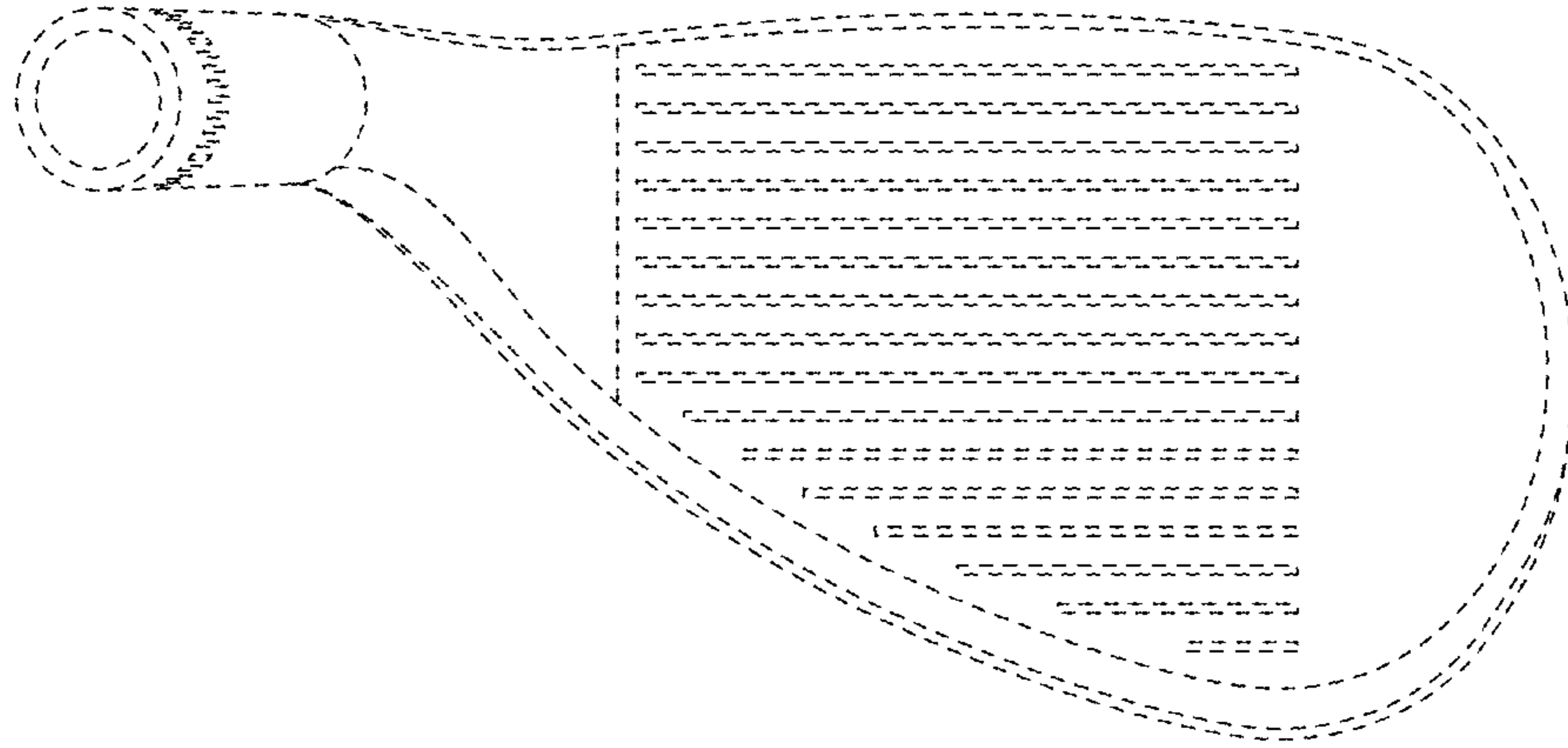


FIG. 20

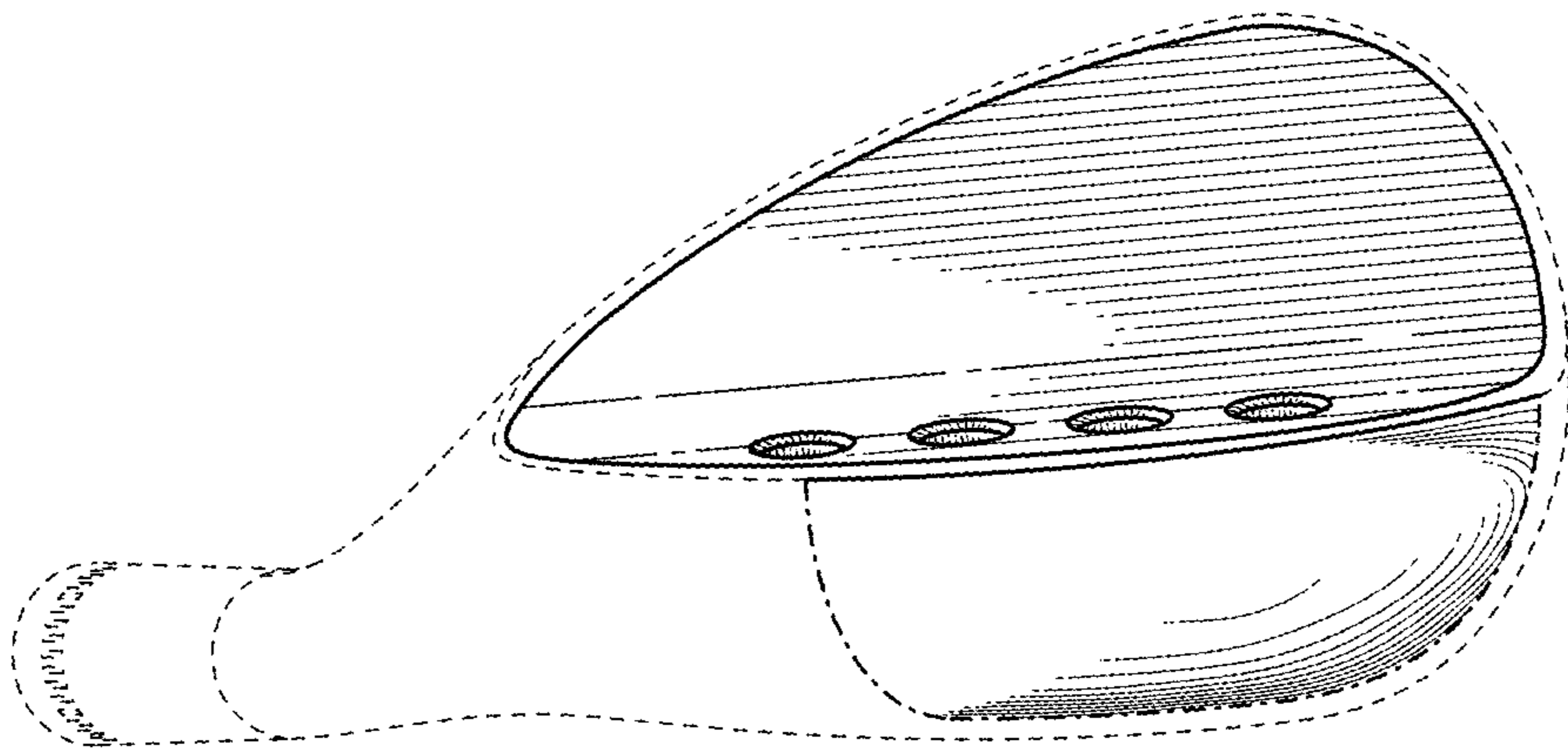


FIG. 21