



US00D765807S

(12) **United States Design Patent** (10) **Patent No.:** **US D765,807 S**
Engel (45) **Date of Patent:** **** Sep. 6, 2016**

(54) **GOLF PUTTER**

(71) Applicant: **William T. Engel**, Oakdale, PA (US)

(72) Inventor: **William T. Engel**, Oakdale, PA (US)

(73) Assignee: **William T. Engel**, Oakdale, PA (US)

(**) Term: **14 Years**

(21) Appl. No.: **29/474,872**

(22) Filed: **Mar. 6, 2015**

(51) **LOC (10) Cl.** **21-02**

(52) **U.S. Cl.**
USPC **D21/759**

(58) **Field of Classification Search**
USPC D21/736-746, 759
CPC . A63B 53/065; A63B 53/0487; A63B 53/00
See application file for complete search history.

D499,778 S *	12/2004	Cameron	D21/742	473/245
D506,796 S *	6/2005	Li	D21/742	
D517,143 S	3/2006	Petsel et al.			
D521,088 S	5/2006	Mercier			
D532,844 S	11/2006	Rollinson			
D532,845 S	11/2006	Rollinson			
D534,974 S	1/2007	Haack			
D550,795 S	9/2007	Tateno			
D560,736 S	1/2008	Tateno			
D573,673 S	7/2008	Noyes			
D574,908 S	8/2008	Hettinger et al.			
D582,497 S	12/2008	Rollinson			
7,491,131 B2 *	2/2009	Vinton	A63B 53/0487	473/251
D593,171 S *	5/2009	Stellander	D21/736	
D594,073 S *	6/2009	Kadoya	D21/744	
D616,053 S	5/2010	Chien et al.			
D621,462 S *	8/2010	Serrano	D21/742	
D624,616 S	9/2010	Rife			
D624,617 S	9/2010	Rife			
D632,747 S *	2/2011	Jeffres	D21/742	
D669,145 S	10/2012	Roland			
D732,122 S *	6/2015	Becktor	D21/742	
D732,618 S *	6/2015	Becktor	D21/742	

(56) **References Cited**

U.S. PATENT DOCUMENTS

D213,118 S *	1/1969	Onaka	473/252
D229,622 S	12/1973	Bartron		
D231,373 S	4/1974	Pavelle		
D244,303 S *	5/1977	Cabot	D21/739
D247,585 S *	3/1978	Duclos	473/340
D291,465 S	8/1987	Antonious		
D323,867 S	2/1992	Rizzotto		
D324,555 S *	3/1992	Evans	D21/744
D327,930 S	7/1992	Jazdzyk		
D342,558 S *	12/1993	Diesterheft	D21/741
D354,104 S *	1/1995	Hardy	D21/739
5,997,409 A	12/1999	Mattson		
D421,471 S	3/2000	Moldovan		
D436,638 S	1/2001	Carrier		
D477,041 S *	7/2003	Cameron	D21/742
6,663,497 B2 *	12/2003	Cameron	A63B 53/065

* cited by examiner

Primary Examiner — Mitchell Siegel

(57) **CLAIM**

The ornamental design for a golf putter, as shown and described.

DESCRIPTION

FIG. 1 is a top plan view of the golf putter; and, FIG. 2 is a top perspective view thereof. The broken lines and shading lines included in FIGS. 1-2 are for the purpose of illustrating and forms no part of the claimed design.

1 Claim, 2 Drawing Sheets

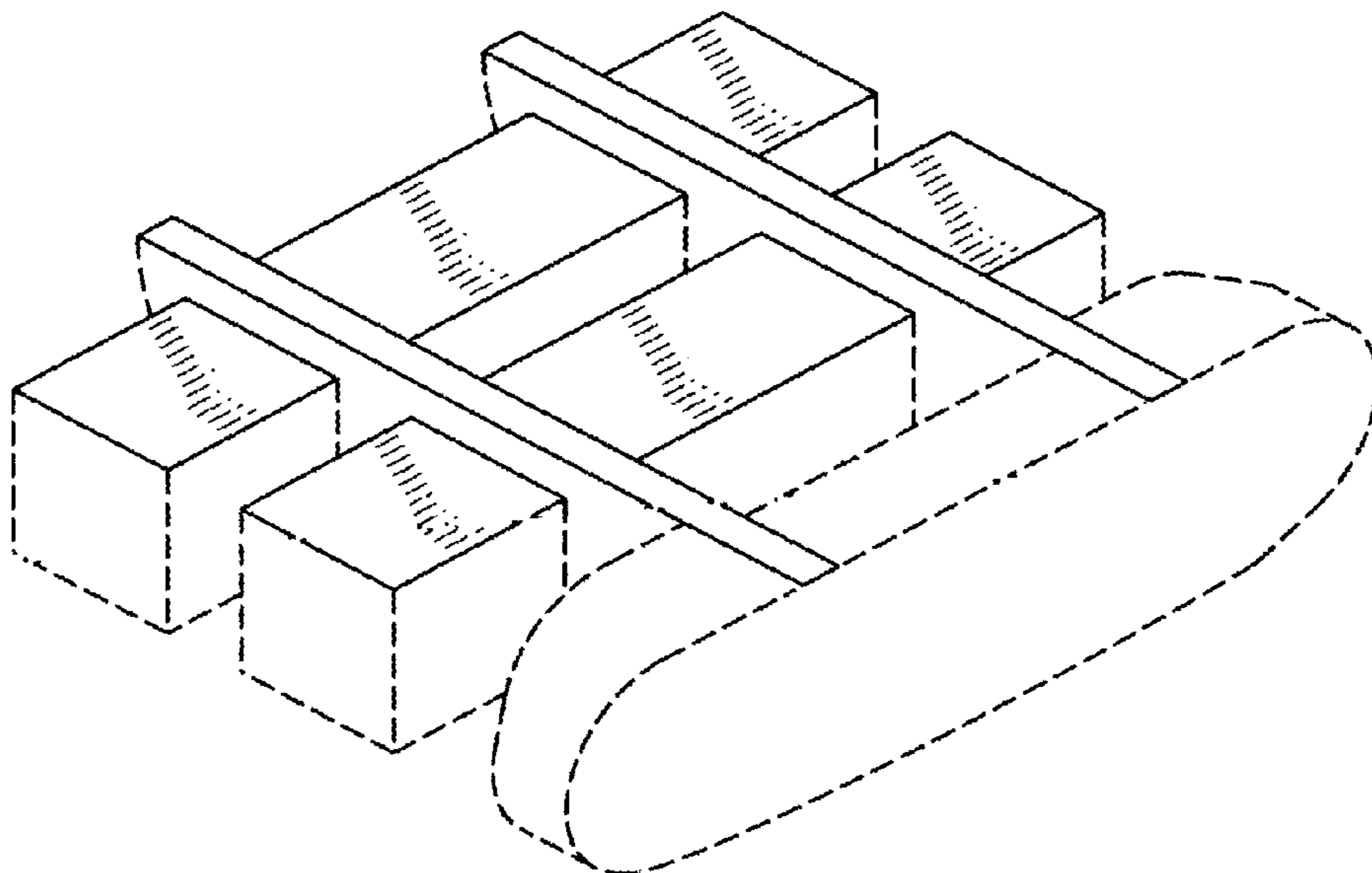


Fig. 1

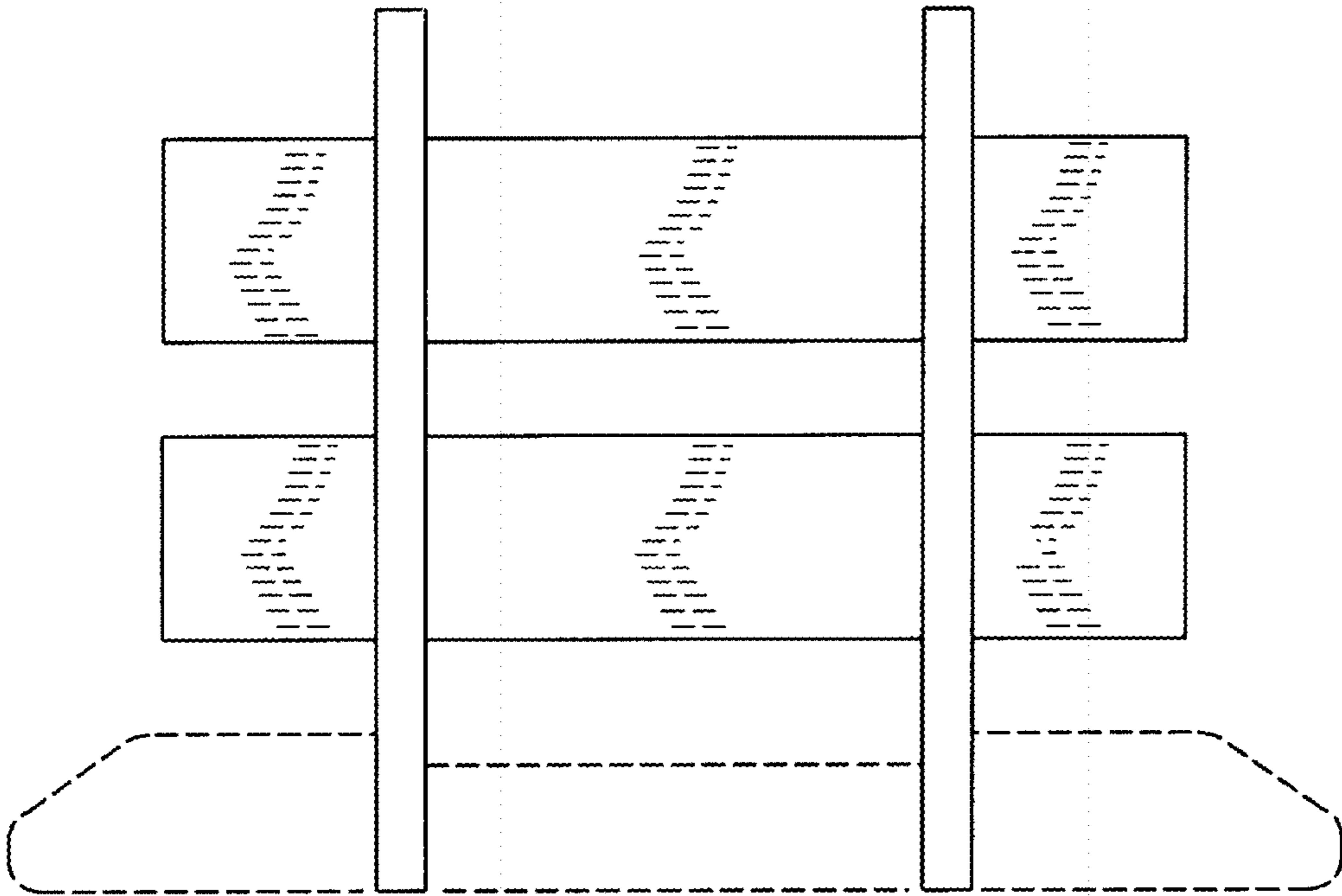


Fig. 2

