

US00D765802S

(12) **United States Design Patent** (10) **Patent No.:** **US D765,802 S**
Cameron (45) **Date of Patent:** **** Sep. 6, 2016**

(54) **PUTTER HEAD**

(71) Applicant: **Acushnet Company**, Fairhaven, MA (US)

(72) Inventor: **Don T. Cameron**, Carlsbad, CA (US)

(73) Assignee: **Acushnet Company**, Fairhaven, MA (US)

(**) Term: **15 Years**

(21) Appl. No.: **29/528,834**

(22) Filed: **Jun. 1, 2015**

(51) **LOC (10) Cl.** **21-02**

(52) **U.S. Cl.**
USPC **D21/743**

(58) **Field of Classification Search**
USPC D21/736-746, 759
CPC A63B 53/00; A63B 53/065; A63B 53/0487;
A63B 53/04; A63B 53/007
See application file for complete search history.

(56) **References Cited**

U.S. PATENT DOCUMENTS

4,580,784 A	4/1986	Brill
4,741,535 A	5/1988	Leonhardt
4,898,387 A	2/1990	Finney
D323,867 S	2/1992	Rizzotto
D350,177 S	8/1994	Ramirez et al.
D359,330 S	6/1995	Channell
D381,382 S	7/1997	Fenton, Jr.
D399,911 S	10/1998	Nicolette et al.
5,997,409 A	12/1999	Mattson
D421,471 S	3/2000	Moldovan
D436,638 S	1/2001	Carrier
6,270,422 B1	8/2001	Fisher
D457,210 S	5/2002	Noda
D478,642 S	8/2003	Spino
D500,110 S	12/2004	Solheim et al.
D510,396 S	10/2005	Rollinson
D512,757 S	12/2005	Cleveland et al.

D513,050 S	12/2005	Grimaldo	
D517,143 S	3/2006	Petsel et al.	
D530,761 S	10/2006	Evans et al.	
D532,067 S *	11/2006	Soracco D21/742
D532,069 S	11/2006	Tang et al.	

(Continued)

FOREIGN PATENT DOCUMENTS

WO WO2011078569 A2 6/2011

OTHER PUBLICATIONS

Odyssey Versa #7—Golf Magazine ClubTest 2013 High-MOI Mallet Putters, best golf putters—Photos—[online] Golf.com [retrieved on Apr. 8, 2014] Retrieved from the Internet <URL:http://www.golf.com/photos/golf-magazine-clubtest-2013-high-moi-mallet-putters-best-golf-putters/bettinardi-bb54#335541.html>—2014.

(Continued)

Primary Examiner — Mitchell Siegel
(74) *Attorney, Agent, or Firm* — Randy K. Chang

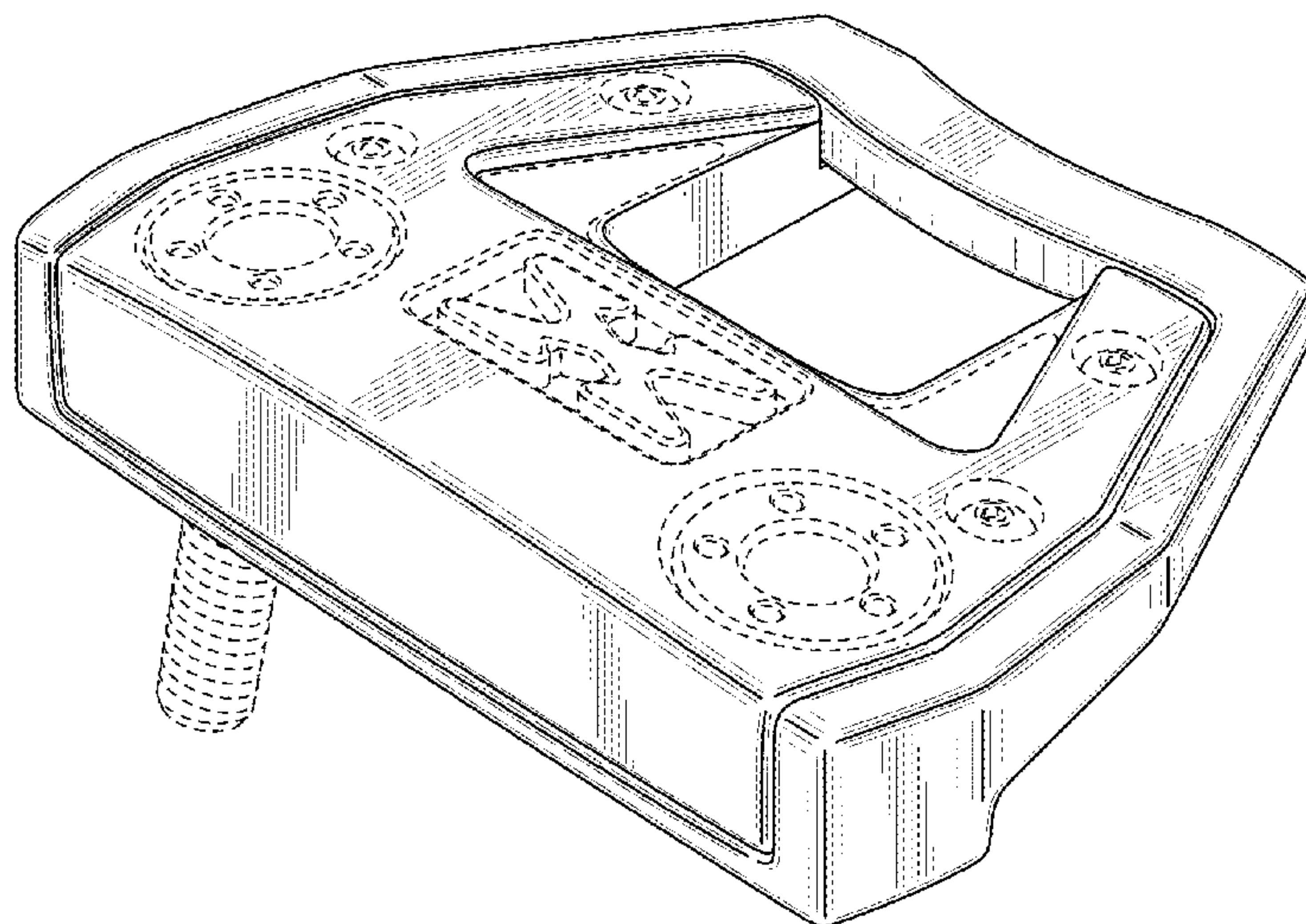
(57) **CLAIM**

The ornamental design for a putter head, as shown and described.

DESCRIPTION

FIG. 1 is a perspective sole view of my new design for a putter head;
FIG. 2 is a back view thereof;
FIG. 3 is a bottom view thereof;
FIG. 4 is a top view thereof;
FIG. 5 is a front view thereof;
FIG. 6 is a heel view thereof; and,
FIG. 7 is a toe view thereof.
The portion of the club head shown in phantom are for illustrative purposes only and do not form any portion of the claimed design.

1 Claim, 4 Drawing Sheets



(56)

References Cited

U.S. PATENT DOCUMENTS

D532,844	S	11/2006	Rollinson	
D532,845	S *	11/2006	Rollinson	D21/736
D544,933	S	6/2007	Evans et al.	
D556,278	S	11/2007	Mahaffey et al.	
D564,607	S	3/2008	Oldknow et al.	
D568,954	S	5/2008	Oldknow et al.	
D573,673	S	7/2008	Noyes	
D574,908	S *	8/2008	Hettinger	D21/743
D577,398	S	9/2008	Hilton	
7,431,660	B2	10/2008	Hasegawa	
7,438,648	B2	10/2008	Wahl et al.	
D582,497	S *	12/2008	Rollinson	D21/744
D589,575	S	3/2009	Kim et al.	
D590,035	S	4/2009	Hilton	
D590,461	S	4/2009	Kim et al.	
D591,371	S	4/2009	Hilton	
D591,807	S *	5/2009	Rollinson	D21/744
D595,373	S *	6/2009	Kim	D21/744
D600,761	S	9/2009	Solheim et al.	
D603,006	S	10/2009	Foster et al.	
D621,458	S	8/2010	Serrano et al.	
7,909,707	B2	3/2011	Klein	
D636,829	S	4/2011	Cardani	
D636,830	S	4/2011	Cardani	
D669,145	S	10/2012	Roland	
D670,774	S	11/2012	Seiff	
D688,341	S *	8/2013	Rollinson	D21/746
8,506,415	B2	8/2013	Franklin	
D691,226	S *	10/2013	Hilton	D21/746
D699,308	S *	2/2014	Rollinson	D21/736
D701,274	S *	3/2014	Rollinson	D21/736
D704,782	S	5/2014	Rollinson	
D720,821	S	1/2015	Brandt	
8,932,144	B2	1/2015	Simizu	
D726,270	S *	4/2015	Rollinson	D21/759
D728,715	S *	5/2015	Cameron	D21/736
D730,464	S *	5/2015	Cameron	D21/743
D731,605	S *	6/2015	Rollinson	D21/736
D741,967	S *	10/2015	Davis	D21/736

OTHER PUBLICATIONS

Odyssey Versa #7 White Putter | Odyssey Putters [online] Odysseygolf.com [retrieved on Apr. 8, 2014] Retrieved from the Internet <URL: http://www.odysseygolf.com/putters-2013-versa-7/putters-2013-versa-7,en_US,pd.html#view-2. >—2013.

Wilson 2014 Prostaff HL #3 Golf Putter R/H 35": Amazon.co.uk: Sports & Outdoors [online] amazon.co.uk.com [retrieved on Apr. 8, 2014] Retrieved from the Internet <URL: <http://www.amazon.co.uk/Wilson-2014-Prostaff-Golf-Putter/dp/6041986364> html>—2014.

Wilson Wilson Harmonized M2 Putter | Wilson Golf [online] Wilson.com [retrieved on Apr. 8, 2014] Retrieved from the internet <URL:<http://www.wilson.com/en-us/golf/putters/recreational/harmonized-semi-mallet-putter> html>—2014.

General—Right Hand [online] rifegolf.com [retrieved on Apr. 8, 2014] Retrieved from the Internet <URL: <http://rifegolf.com/store#!/~/product/category=8856009&id=34731880> html>—2014.

Sandy—12 | Yes! [online] yesgolf.com [retrieved on Apr. 8, 2014] Retrieved from the Internet <URL: <http://yesgolf.com/putters/the-sandy-12> html>—2014.

Mallet Putters: 2014 Hot List Equipment Guide: Golf Digest [online] golfdigest.com [retrieved on Apr. 8, 2014] Retrieved from the Internet <URL: <http://www.golfdigest.com/golf-equipment/hot-list/2014-03/photos-hot-list-mallet-putters#slide> html>.

Odyssey Golf Metal-X Milled Mallet Putters Odyssey Putters [online] Odysseygolf.com [retrieved on Apr. 8, 2014] Retrieved from the Internet <URL <http://www.golfballs.com/Golf-Clubs/Putters/Odyssey-Golf-Metal-X-Milled-Mallet-Putters-2014.htm>>—2014.

2012 Yes! Golf Putters Spotted | SirShanksAlot.com | [retrieved on Apr. 8, 2014] Retrieved from the Internet <URL: <http://www.sirshanksalot.com/1788-2012-yes-putters-spotted.htm>>—2014.

New Nike Golf Clubs Everclear E 33 Standard Putter | eBay [online] Ebay.com [retrieved on Apr. 8, 2014] Retrieved from the Internet <URL:<http://www.ebay.com/itm/NEW-NIKE-GOLF-CLUBS-EVERCLEAR-E-33-STANDARD-PUTTER-/191126275067> html>—2014.

Nike Method Core Drone Putter | Nike 118Golf.co.uk [online] 118golf.co.uk [retrieved on Apr. 8, 2014] Retrieved from the Internet <URL: http://www.118golf.co.uk/golf-clubs-putters/nike-method-core-drone-putter_ct1520pd12025.htm>—2014.

The Club Report: Ping Scottsdale TR—New 2014 Models [online] mygolfspy.com [retrieved on Apr. 8, 2014] Retrieved from the Internet <URL: <http://www.mygolfspy.com/ping-scottsdale-tr-putters-2014> html>—2014.

Dogleg Right: Machine Golf [online] doglegright.com [retrieved on Apr. 8, 2014] Retrieved from the Internet <URL: <http://doglegright.com> html>—2014.

* cited by examiner

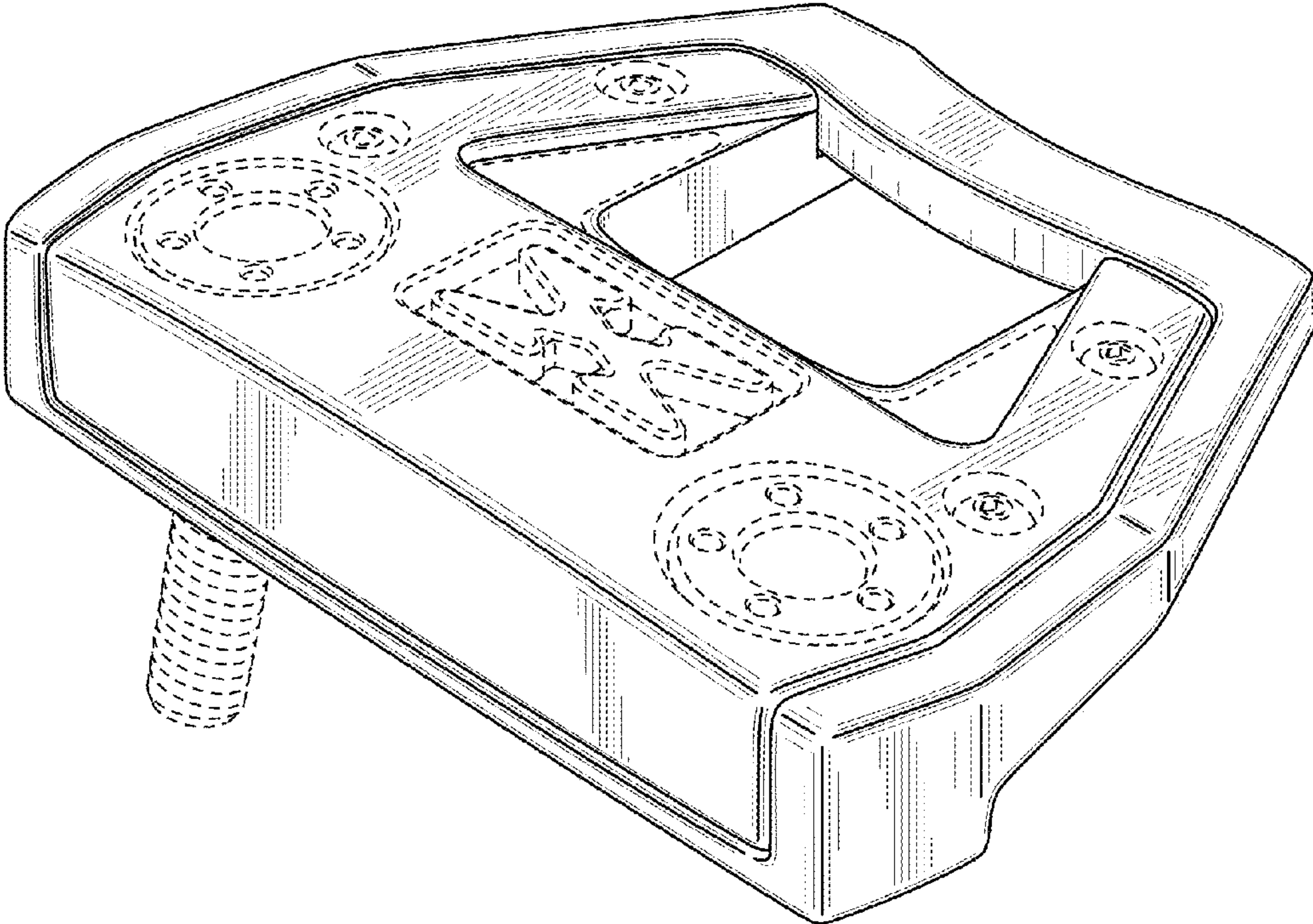


FIG. 1

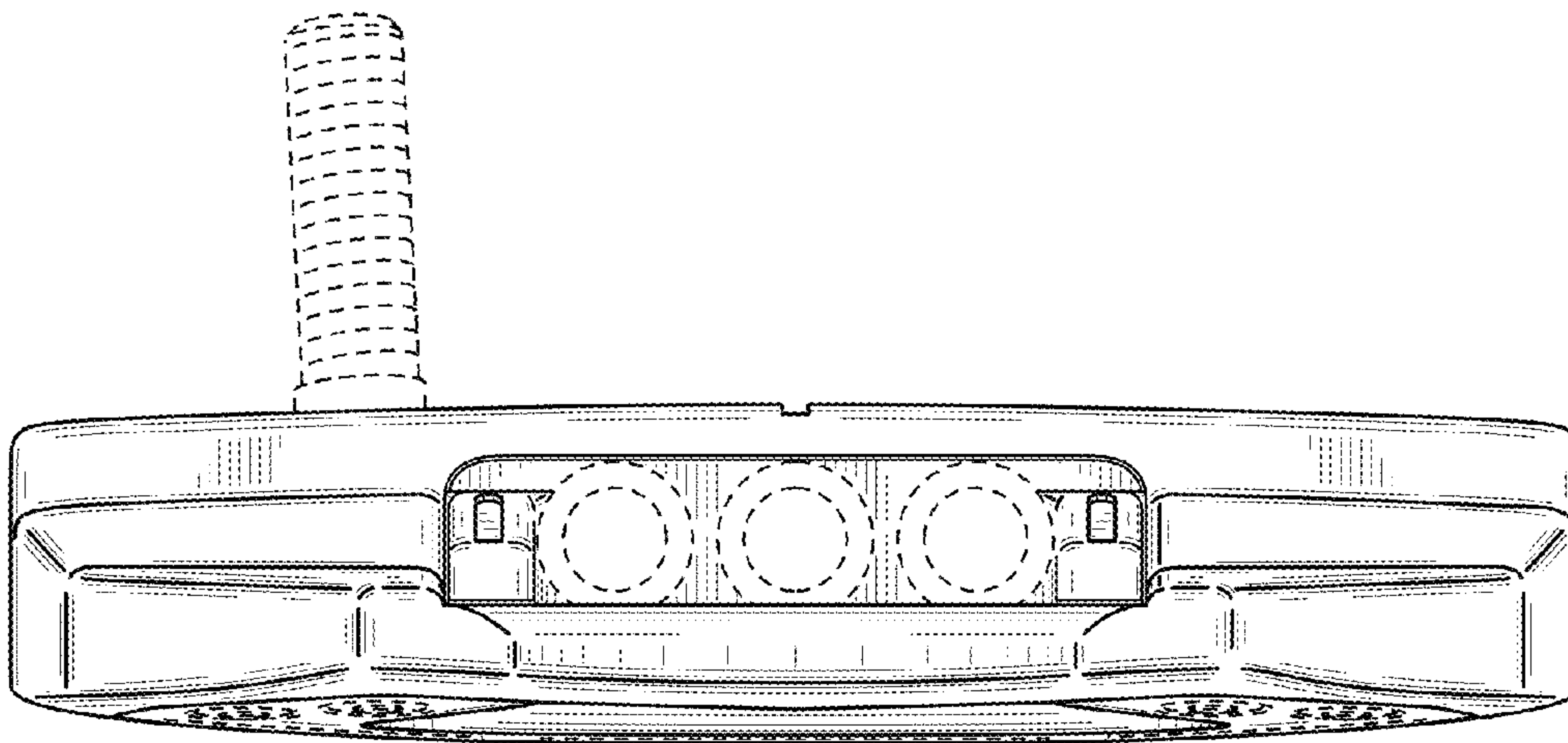


FIG. 2

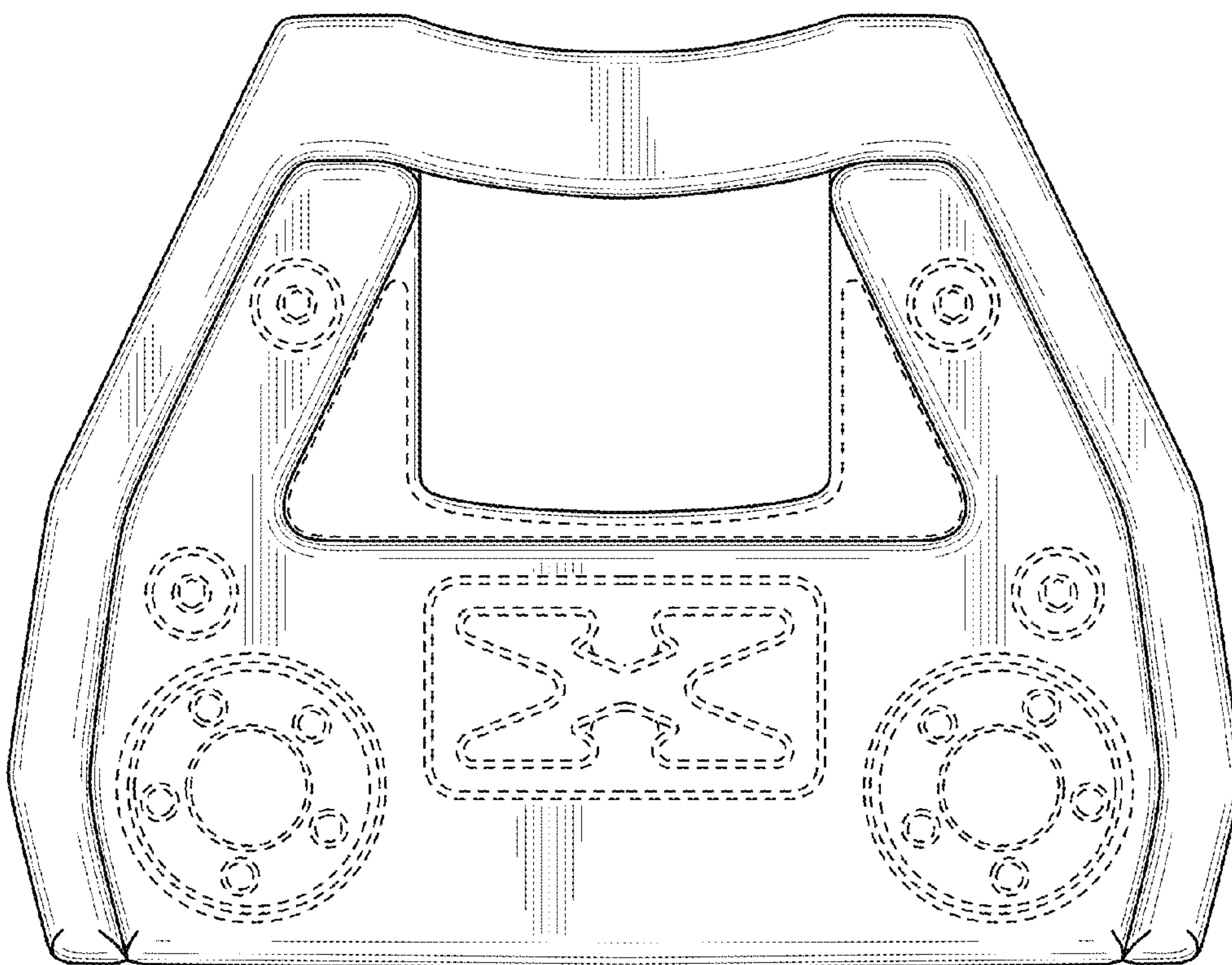


FIG. 3

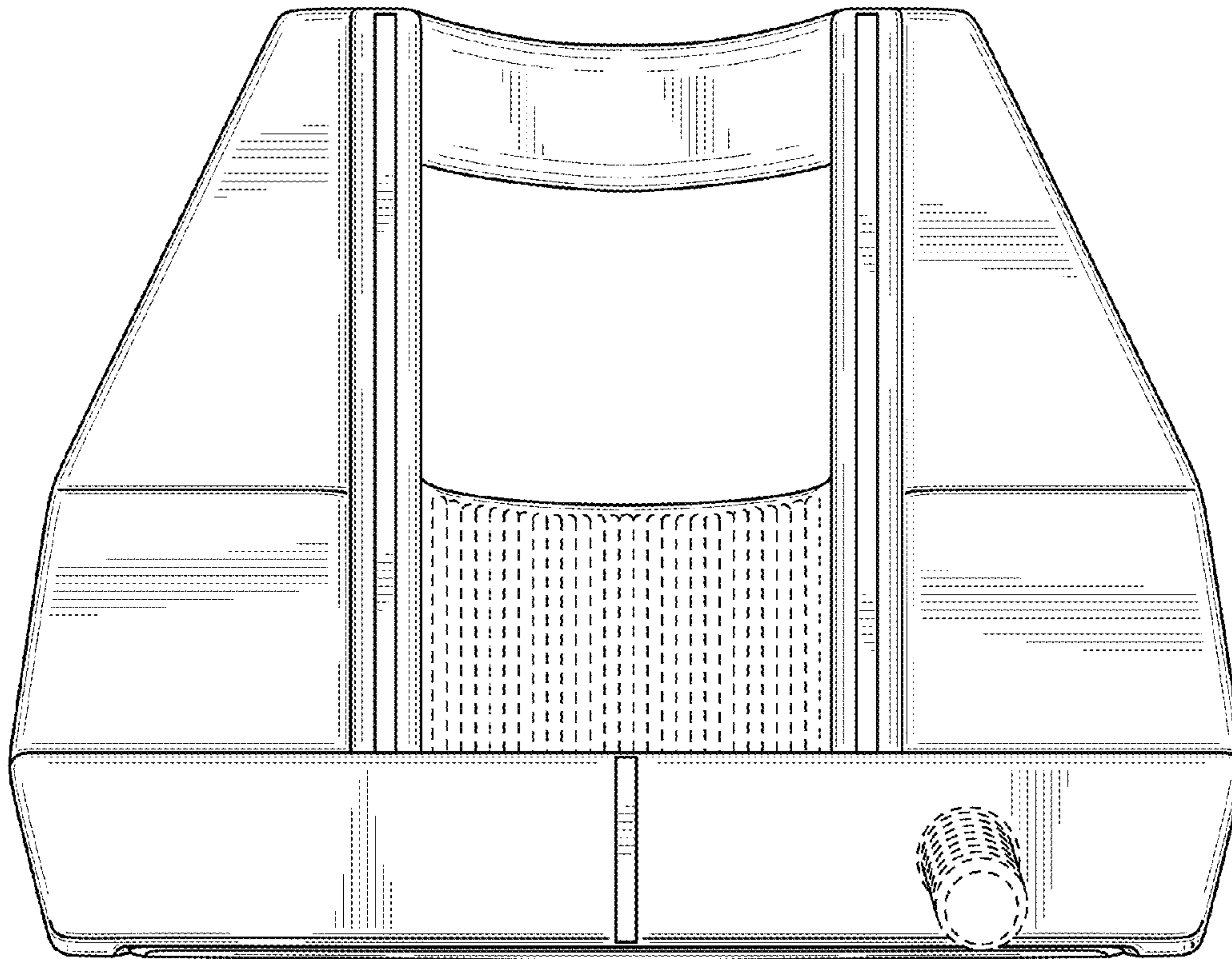


FIG. 4

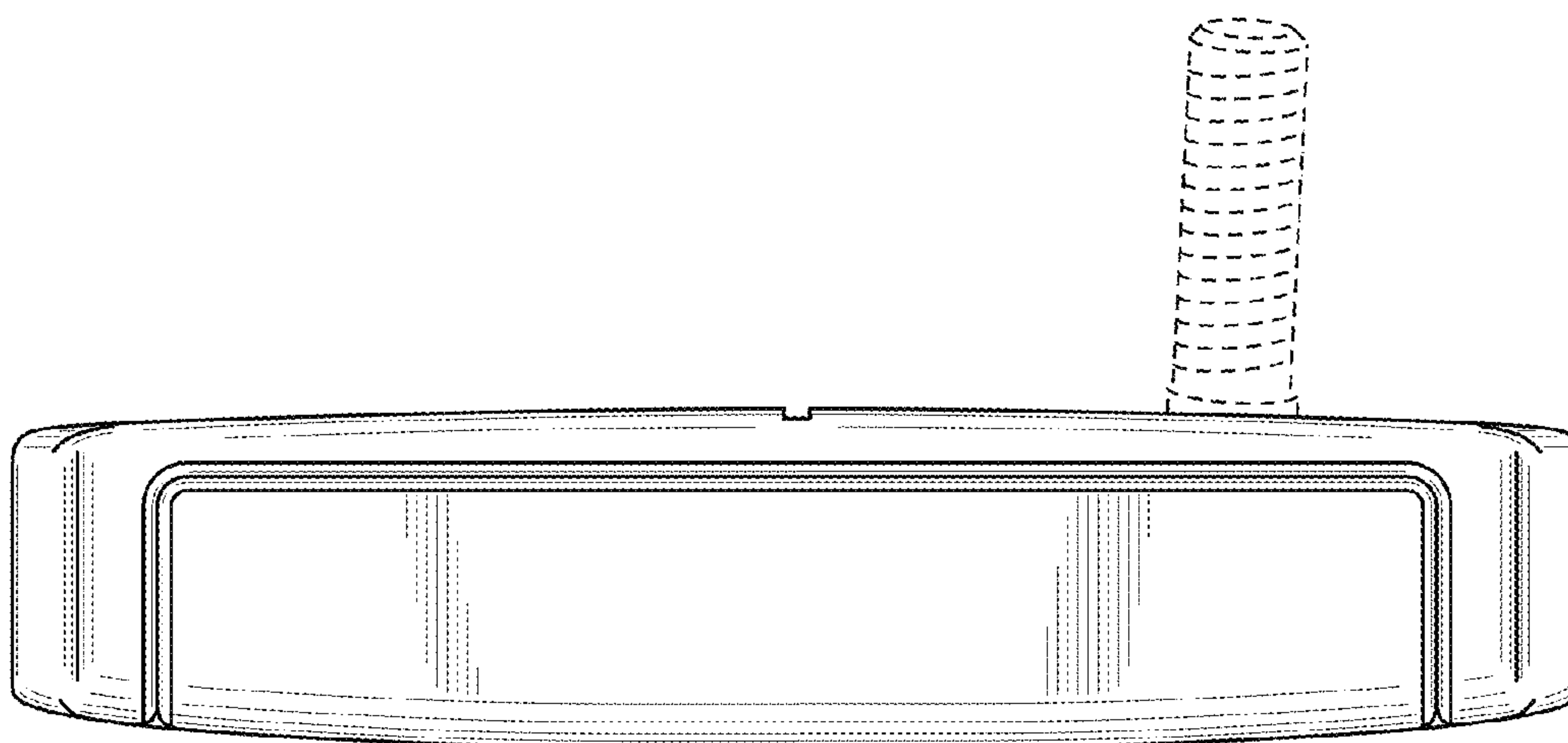


FIG. 5

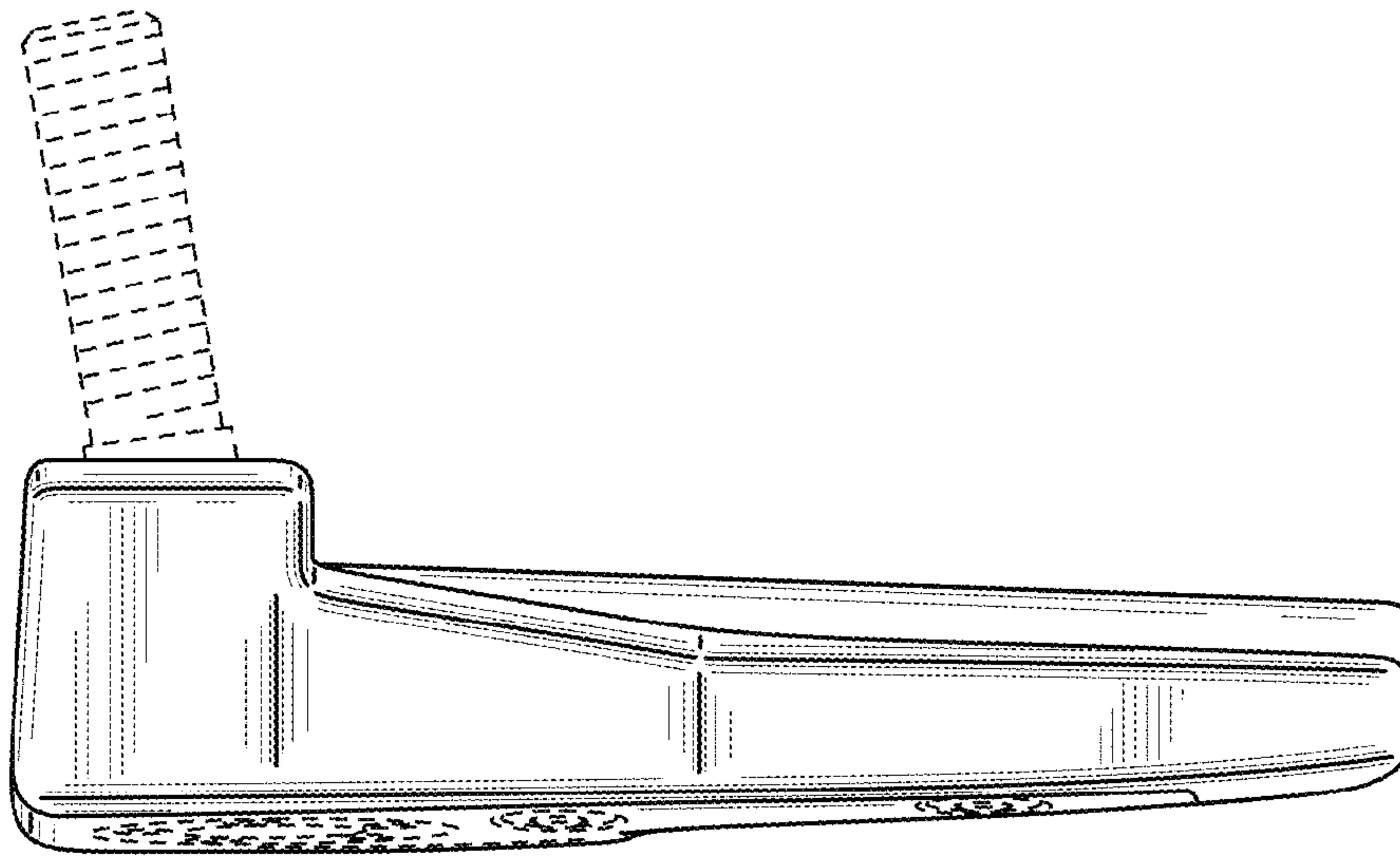


FIG. 6

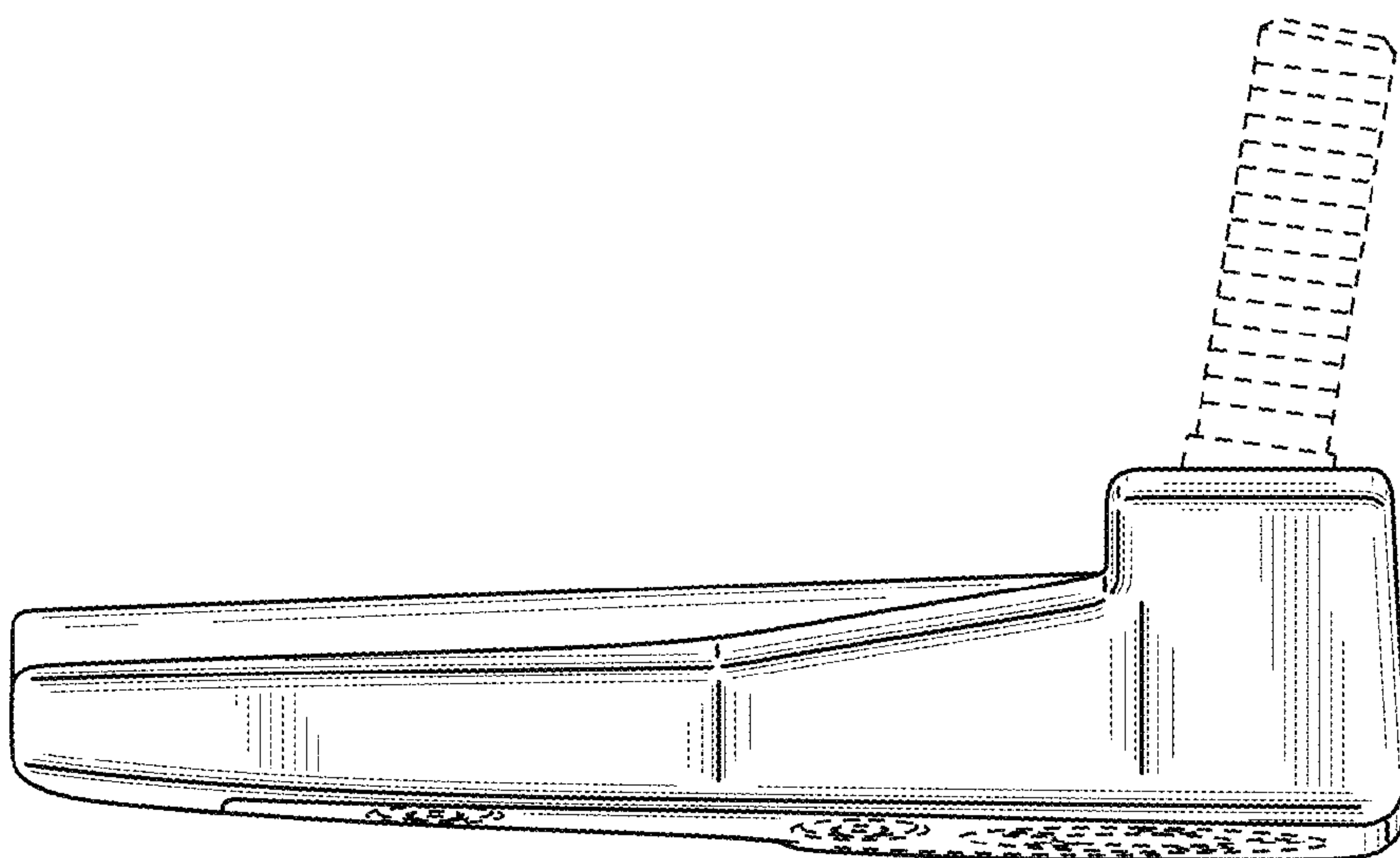


FIG. 7