



US00D765788S

(12) **United States Design Patent** (10) **Patent No.:** **US D765,788 S**
Kujawski et al. (45) **Date of Patent:** **** Sep. 6, 2016**

(54) **CONTROLLER**
(71) Applicant: **Microsoft Corporation**, Redmond, WA (US)
(72) Inventors: **Christopher Kujawski**, Seattle, WA (US); **Kenneth Jasinski**, Seattle, WA (US); **Carl J. Ledbetter**, Mercer Island, WA (US)
(73) Assignee: **Microsoft Corporation**, Redmond, WA (US)
(**) Term: **15 Years**
(21) Appl. No.: **29/530,225**
(22) Filed: **Jun. 15, 2015**
(51) **LOC (10) Cl.** **21-01**
(52) **U.S. Cl.**
USPC **D21/333**; D14/401
(58) **Field of Classification Search**
USPC D14/496, 401, 435, 474, 483, 217, 137, D14/138, 160, 168, 356, 203.1–203.8, 507; 345/156, 169, 173–179, 905; 715/727–729, 864, 700, 706, 719; 710/1, 5, 8; 713/1, 600; 455/1.1, 1.7, 455/73, 344–347, 93, 95, 3.01–3.06, 550.1, 455/573.1; 370/342–344; 369/1, 2, 6–12; 463/51–57, 40–47, 1, 29–35; D21/324, D21/328, 333; 273/148 B
CPC A63F 13/00; A63F 13/02; A63F 9/00; G06F 17/00; G06F 19/00
See application file for complete search history.

D467,922 S 12/2002 Lee
6,743,100 B1 * 6/2004 Neiser A63F 13/06 273/148 B
6,968,070 B1 11/2005 Chiang
D521,015 S 5/2006 Hayes et al.
D522,011 S 5/2006 Hayes et al.
D522,012 S 5/2006 Hayes et al.
7,063,321 B2 6/2006 Hussaini et al.
7,105,754 B2 9/2006 Turner
7,195,561 B2 3/2007 Hussaini et al.
D547,763 S 7/2007 Hayes et al.
D556,201 S 11/2007 Ashida et al.
7,314,413 B2 * 1/2008 Ogata A63F 13/06 273/148 B
D563,480 S 3/2008 Blaseflug et al.

(Continued)

OTHER PUBLICATIONS

U.S. Appl. No. 29/530,098, filed Jun. 12, 2015.
U.S. Appl. No. 29/530,106, filed Jun. 12, 2015.
U.S. Appl. No. 29/530,102, filed Jun. 12, 2015.
U.S. Appl. No. 29/530,110, filed Jun. 12, 2015.

(Continued)

Primary Examiner — Prabhakar Deshmukh
(74) *Attorney, Agent, or Firm* — Banner & Witcoff, Ltd.

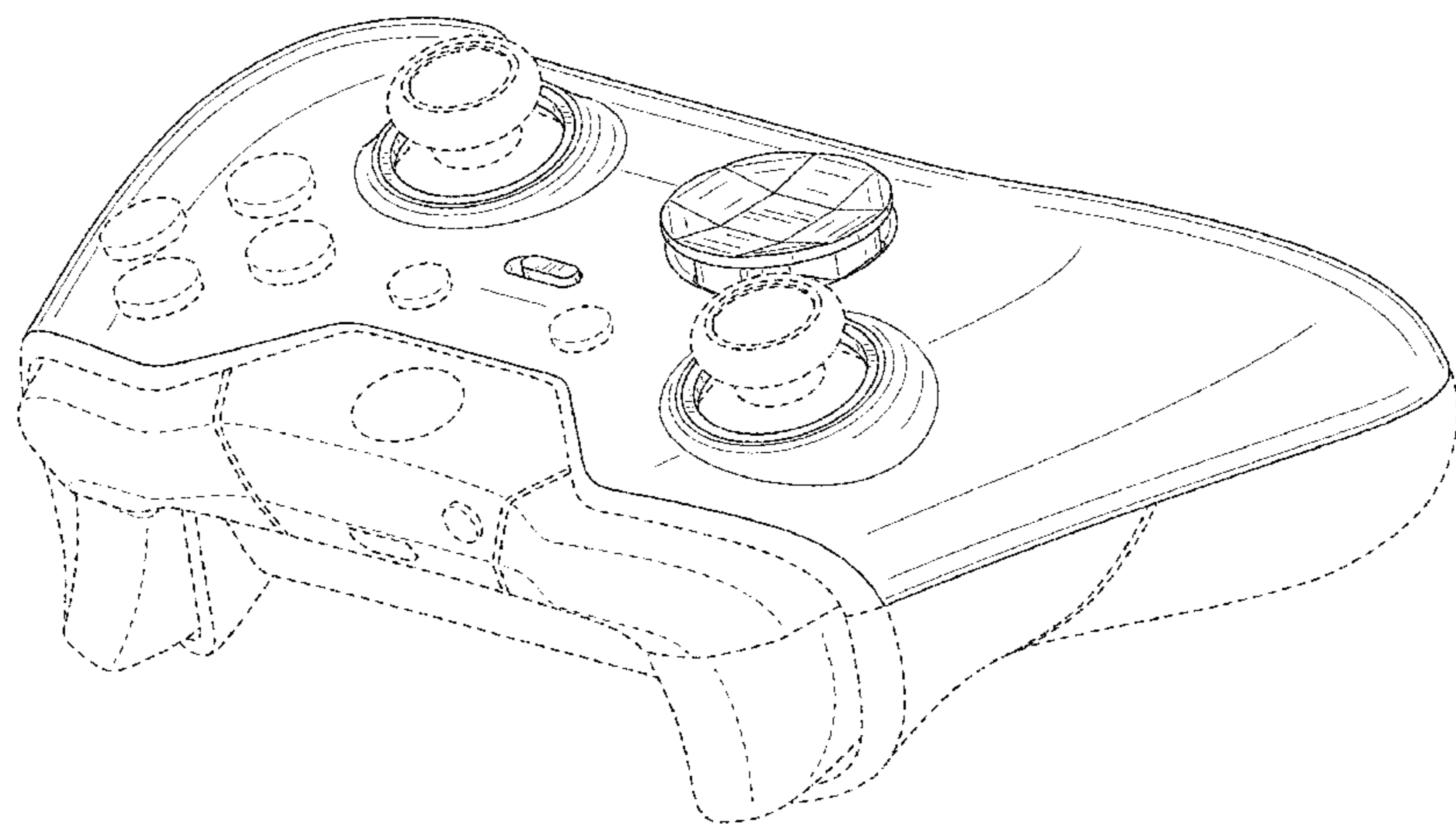
(57) **CLAIM**
The ornamental design for a controller, as shown and described.

DESCRIPTION

FIG. 1 is a front perspective view of a controller showing our new design;
FIG. 2 is a top view thereof;
FIG. 3 is a front view thereof;
FIG. 4 is a rear view thereof;
FIG. 5 is a right side view thereof; and,
FIG. 6 is a left side view thereof.
The broken line showing of the various unshaded elements of the controller is for environmental purposes only and forms no part of the claimed design.

1 Claim, 6 Drawing Sheets

(56) **References Cited**
U.S. PATENT DOCUMENTS
D398,214 S 9/1998 Yui
D415,752 S * 10/1999 Tyler D14/401
D424,047 S 5/2000 Chan
D435,551 S 12/2000 Hayes
6,231,444 B1 * 5/2001 Goto A63F 13/06 273/148 B
D449,042 S 10/2001 Chung
D453,932 S 2/2002 Han et al.
6,463,159 B1 10/2002 Ming-Cheng



(56)

References Cited

OTHER PUBLICATIONS

U.S. PATENT DOCUMENTS

D565,668 S 4/2008 Baseflug et al.
 D568,335 S 5/2008 Armstrong et al.
 D569,388 S 5/2008 Armstrong et al.
 D581,422 S 11/2008 Hayes et al.
 7,445,550 B2 11/2008 Barney et al.
 D601,564 S 10/2009 Maeno
 D619,596 S 7/2010 Maitlen et al.
 D636,773 S * 4/2011 Lin D14/401
 D637,153 S 5/2011 Ikeda et al.
 D638,016 S * 5/2011 Ikeda D14/401
 D646,275 S 10/2011 Ikeda et al.
 D650,795 S 12/2011 Koehn
 D655,350 S 3/2012 Taniguchi et al.
 D658,178 S 4/2012 Ikeda et al.
 D658,179 S 4/2012 Ikeda et al.
 D659,140 S 5/2012 Ikeda et al.
 D685,434 S 7/2013 Ali et al.
 D692,001 S 10/2013 Ibuki et al.
 D692,887 S 11/2013 Ibuki et al.
 D694,830 S 12/2013 Crowley et al.
 D700,182 S * 2/2014 Kidakarn D14/401
 D708,615 S * 7/2014 Delrue D14/401
 D709,498 S 7/2014 Morris et al.
 D709,499 S * 7/2014 Morris D14/401
 D709,882 S * 7/2014 Morris D14/401
 D715,865 S 10/2014 Morris et al.
 9,251,701 B2 * 2/2016 Plagge G08C 23/04

U.S. Appl. No. 29/530,122, filed Jun. 12, 2015.
 U.S. Appl. No. 29/530,108, filed Jun. 12, 2015.
 U.S. Appl. No. 29/530,111, filed Jun. 12, 2015.
 U.S. Appl. No. 29/530,112, filed Jun. 12, 2015.
 U.S. Appl. No. 29/530,113, filed Jun. 12, 2015.
 U.S. Appl. No. 29/530,114, filed Jun. 12, 2015.
 U.S. Appl. No. 29/530,115, filed Jun. 12, 2015.
 U.S. Appl. No. 29/530,116, filed Jun. 12, 2015.
 U.S. Appl. No. 29/530,120, filed Jun. 12, 2015.
 U.S. Appl. No. 29/530,285, filed Jun. 15, 2015.
 U.S. Appl. No. 29/530,243, filed Jun. 15, 2015.
 U.S. Appl. No. 29/530,237, filed Jun. 15, 2015.
 U.S. Appl. No. 29/543,963, filed Oct. 29, 2015.
 U.S. Appl. No. 29/543,976, filed Oct. 29, 2015.
 U.S. Appl. No. 29/543,897, filed Oct. 29, 2015.
 U.S. Appl. No. 29/543,902, filed Oct. 29, 2015.
 U.S. Appl. No. 29/543,904, filed Oct. 29, 2015.
 U.S. Appl. No. 29/543,910, filed Oct. 29, 2015.
 U.S. Appl. No. 29/543,914, filed Oct. 29, 2015.
 U.S. Appl. No. 29/543,958, filed Oct. 29, 2015.
 U.S. Appl. No. 29/543,931, filed Oct. 29, 2015.
 U.S. Appl. No. 29/543,968, filed Oct. 29, 2015.
 Side-by-side: Xbox One Gamepad vs Xbox 360 gamepad (Jun. 11, 2013), <http://www.techradar.com/us/news/gaming/consoles/side-by-side-xbox-one-gamepad-vs-xbox-360-gamepad-1158091>.

* cited by examiner

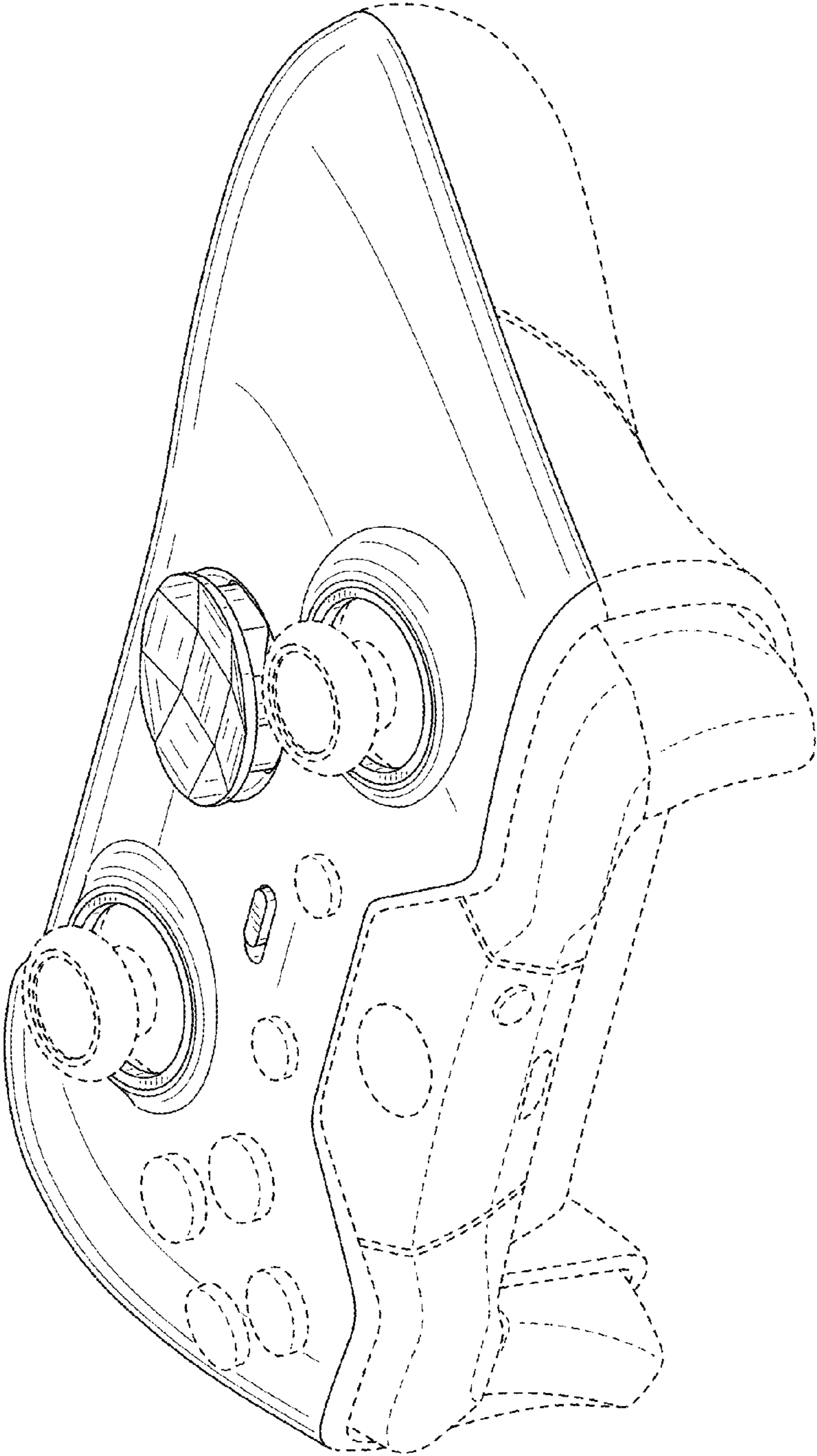


FIG. 1

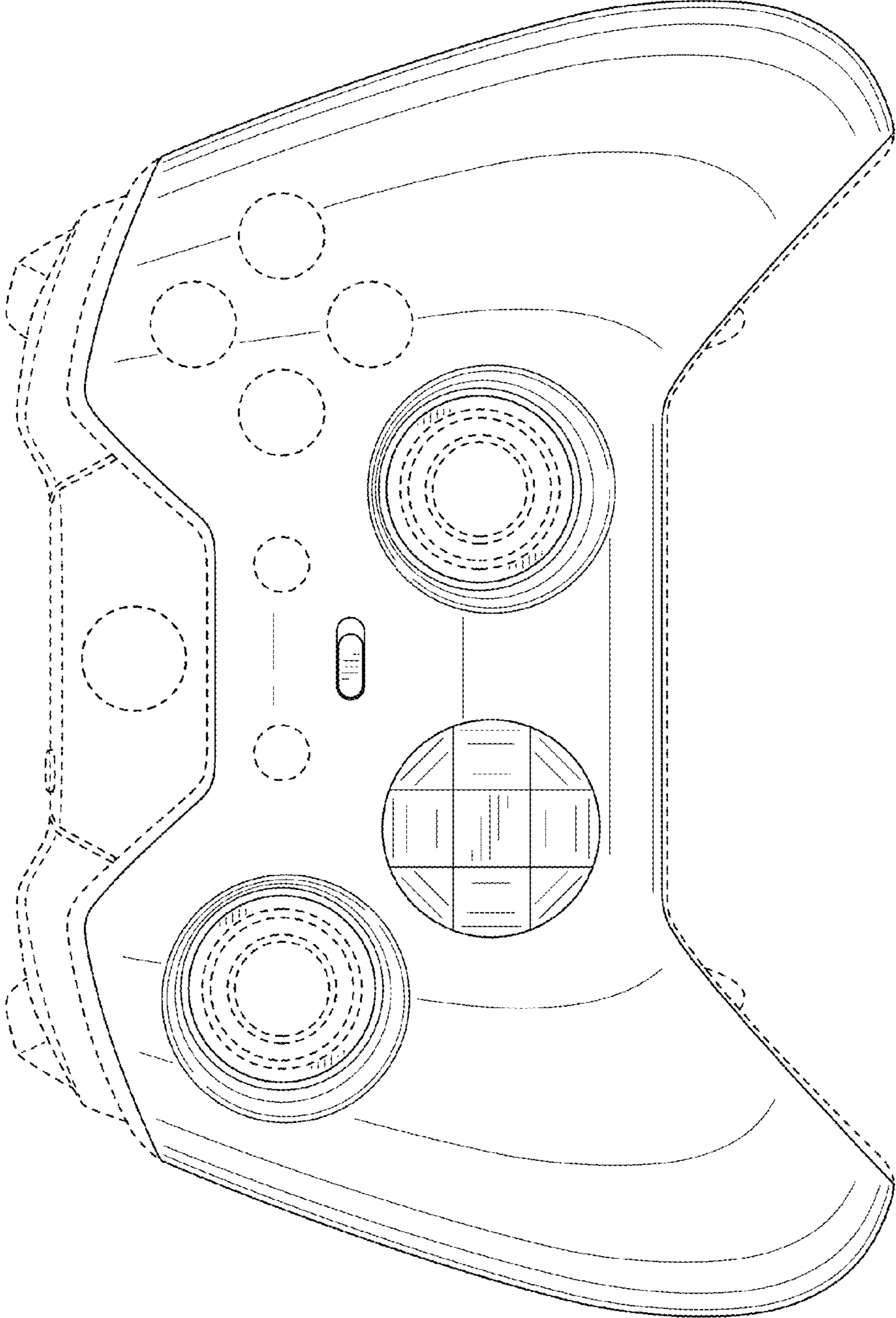


FIG. 2

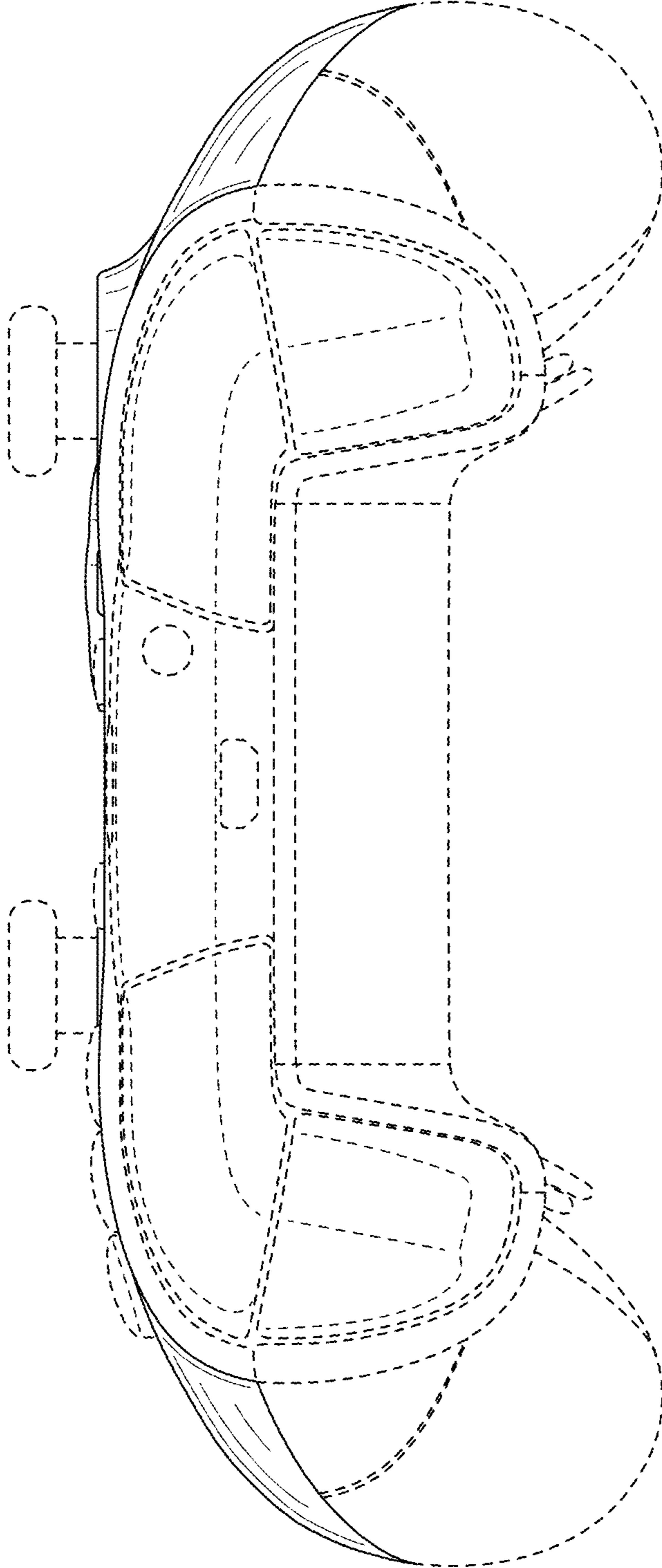


FIG. 3

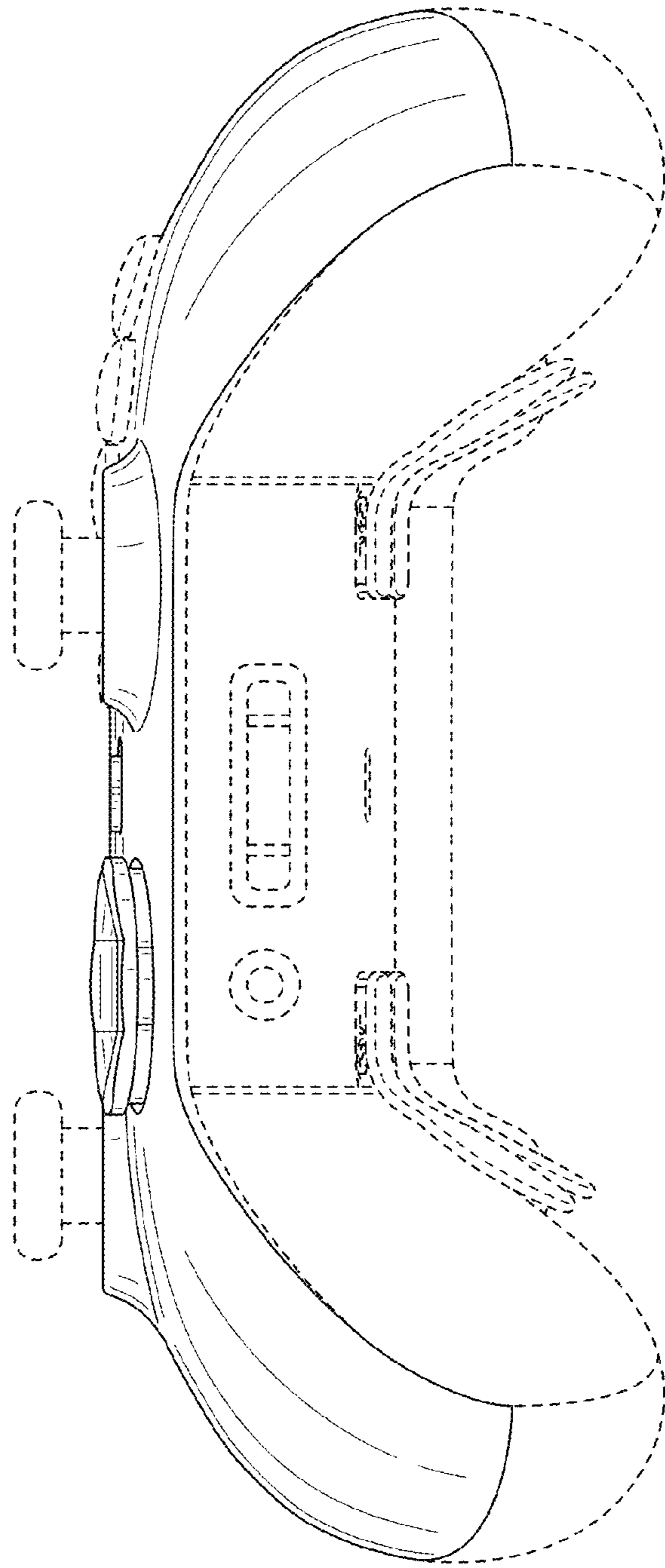


FIG. 4

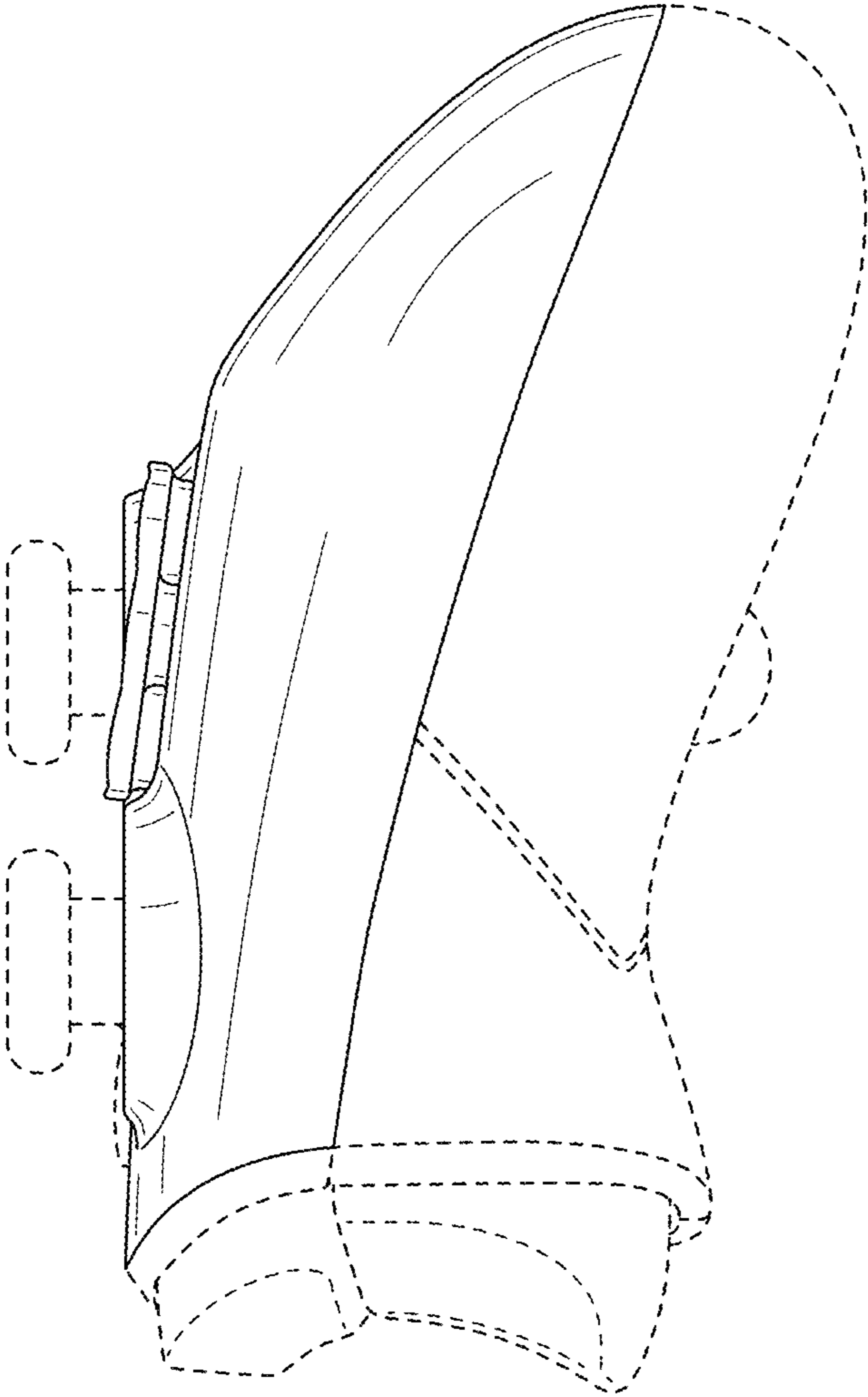


FIG. 5

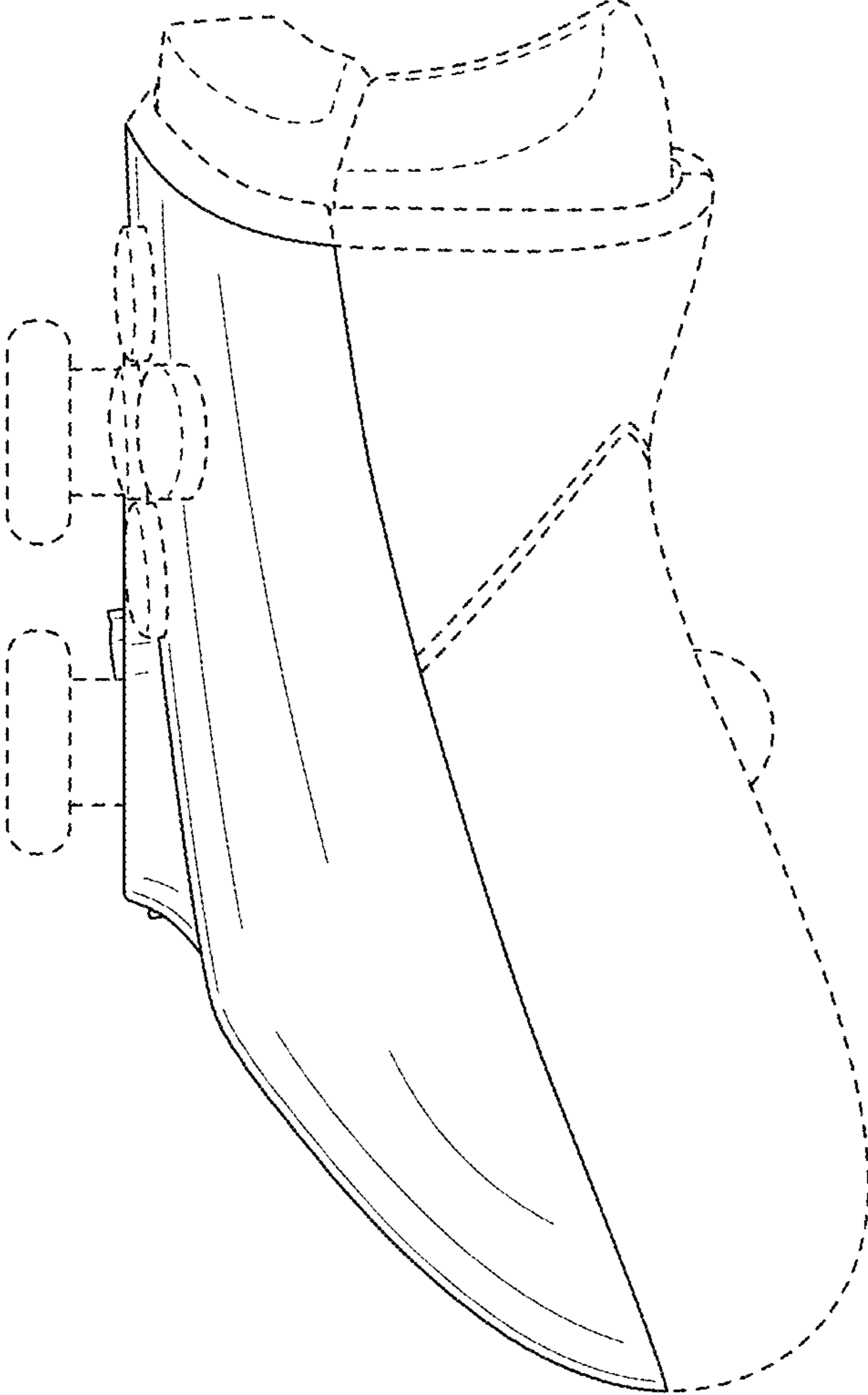


FIG. 6