



US00D765787S

(12) **United States Design Patent**
Kujawski et al.

(10) **Patent No.:** **US D765,787 S**
(45) **Date of Patent:** **** Sep. 6, 2016**

(54) **CONTROLLER WITH REMOVABLE PADDLES**

D449,042 S 10/2001 Chung
D453,932 S 2/2002 Han et al.
6,463,159 B1 10/2002 Ming-Cheng

(71) Applicant: **Microsoft Corporation**, Redmond, WA (US)

(Continued)

(72) Inventors: **Christopher Kujawski**, Seattle, WA (US); **Kenneth Jasinski**, Seattle, WA (US); **Carl J. Ledbetter**, Mercer Island, WA (US)

OTHER PUBLICATIONS

U.S. Appl. No. 29/530,098, filed Jun. 12, 2015.
(Continued)

(73) Assignee: **Microsoft Corporation**, Redmond, WA (US)

Primary Examiner — Prabhakar Deshmukh

(74) *Attorney, Agent, or Firm* — Banner & Witcoff, Ltd.

(**) Term: **15 Years**

(57) **CLAIM**

The ornamental design for a controller with removable paddles, as shown and described.

(21) Appl. No.: **29/530,120**

DESCRIPTION

(22) Filed: **Jun. 12, 2015**

(51) **LOC (10) Cl.** **21-01**

(52) **U.S. Cl.**
USPC **D21/333; D14/401**

(58) **Field of Classification Search**
USPC D14/496, 401, 435, 474, 483, 217, 137, D14/138, 160, 168, 356, 203.1–203.8, 507; 345/156, 169, 173–179, 905; 715/727–729, 864, 700, 706, 719; 710/1, 5, 8; 713/1, 600; 455/1.1, 1.7, 455/73, 344–347, 93, 95, 3.01–3.06, 550.1, 455/573.1; 370/342–344; 369/1, 2, 6–12; 463/51–57, 40–47, 1, 29–35; D21/324, D21/328, 333; 273/148 B
CPC A63F 13/00; A63F 13/02; A63F 9/00; G06F 17/00; G06F 19/00
See application file for complete search history.

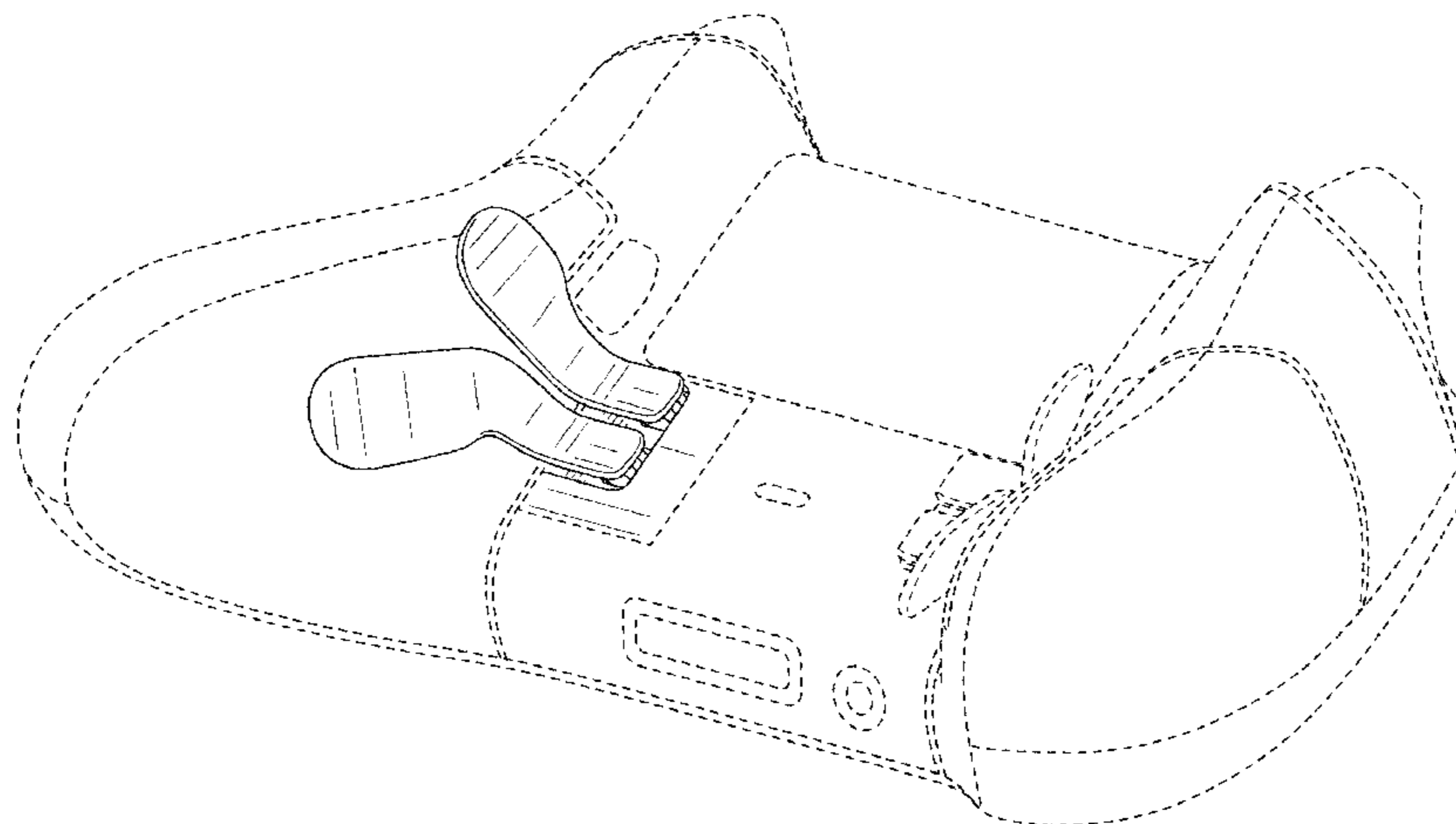
FIG. 1 is a rear perspective view of a controller with removable paddles showing our new design in a first, configured state;
FIG. 2 is a bottom view thereof;
FIG. 3 is a rear view thereof;
FIG. 4 is a front view thereof;
FIG. 5 is a right side view thereof;
FIG. 6 is a left side view thereof;
FIG. 7 is a top view thereof;
FIG. 8 is an exploded rear perspective view of a controller with removable paddles, shown in a second unconfigured state;
FIG. 9 is an exploded bottom view of FIG. 8;
FIG. 10 is an exploded rear view of FIG. 8;
FIG. 11 is an exploded front view of FIG. 8;
FIG. 12 is an exploded right side view of FIG. 8;
FIG. 13 is an exploded left side view of FIG. 8; and
FIG. 14 is an exploded top view of FIG. 8.
The broken lines adjacent to the shade lines define the bounds of the claim. Other broken lines are shown for environmental purpose only. None of the broken lines form part of the claimed design.

(56) **References Cited**

U.S. PATENT DOCUMENTS

D398,214 S 9/1998 Yui
D424,047 S 5/2000 Chan
D435,551 S 12/2000 Hayes

1 Claim, 14 Drawing Sheets



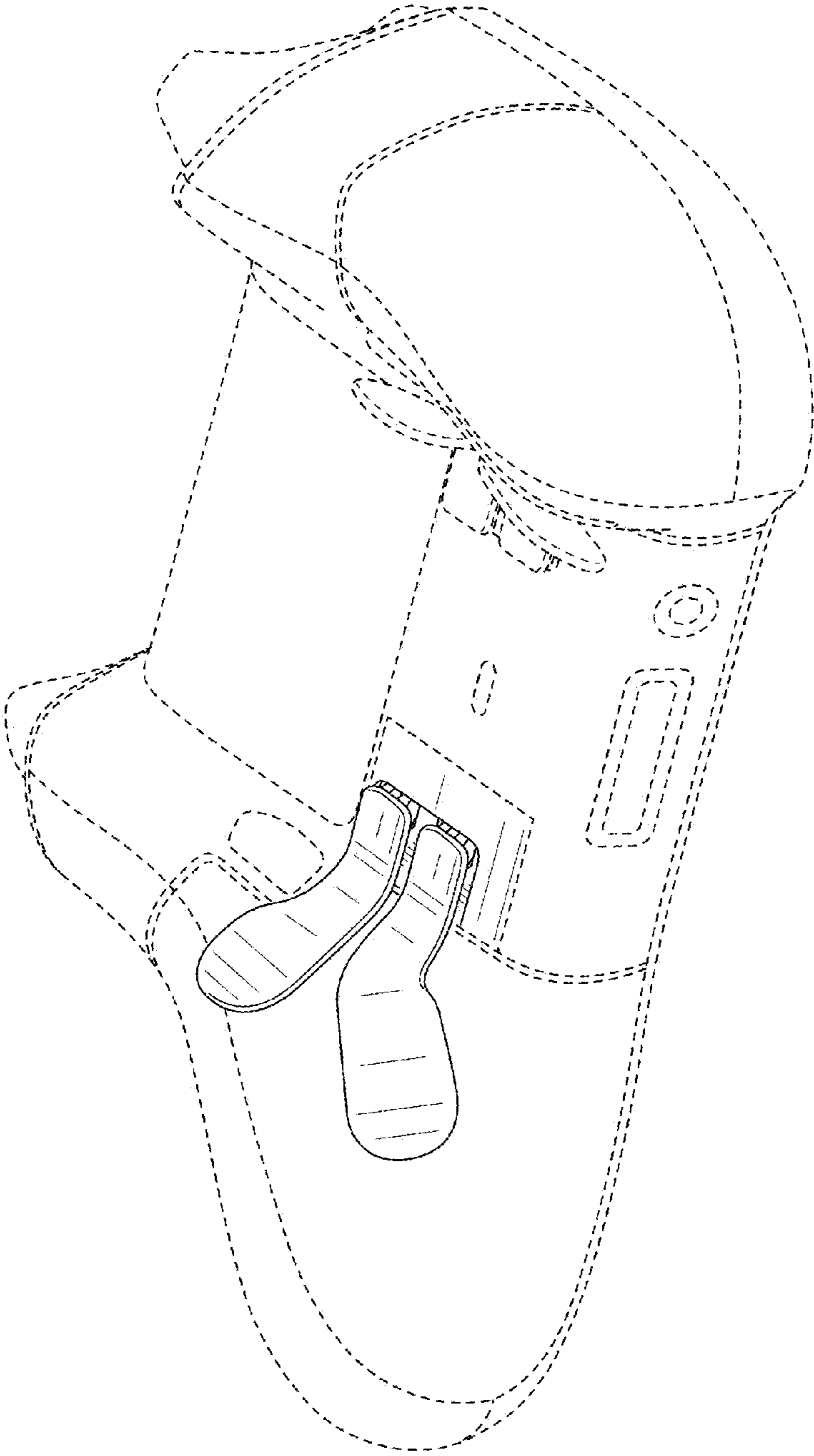


FIG. 1

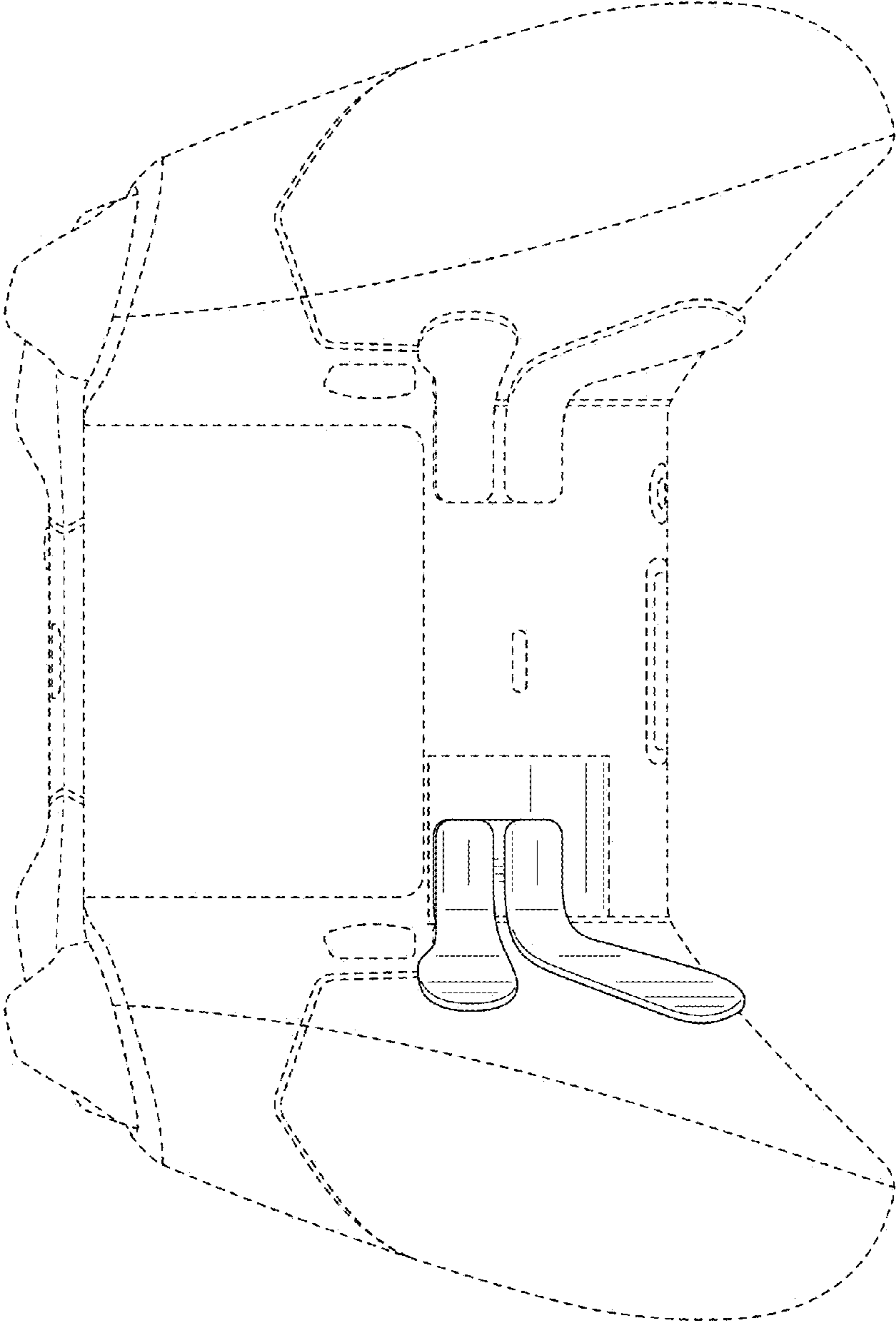


FIG. 2

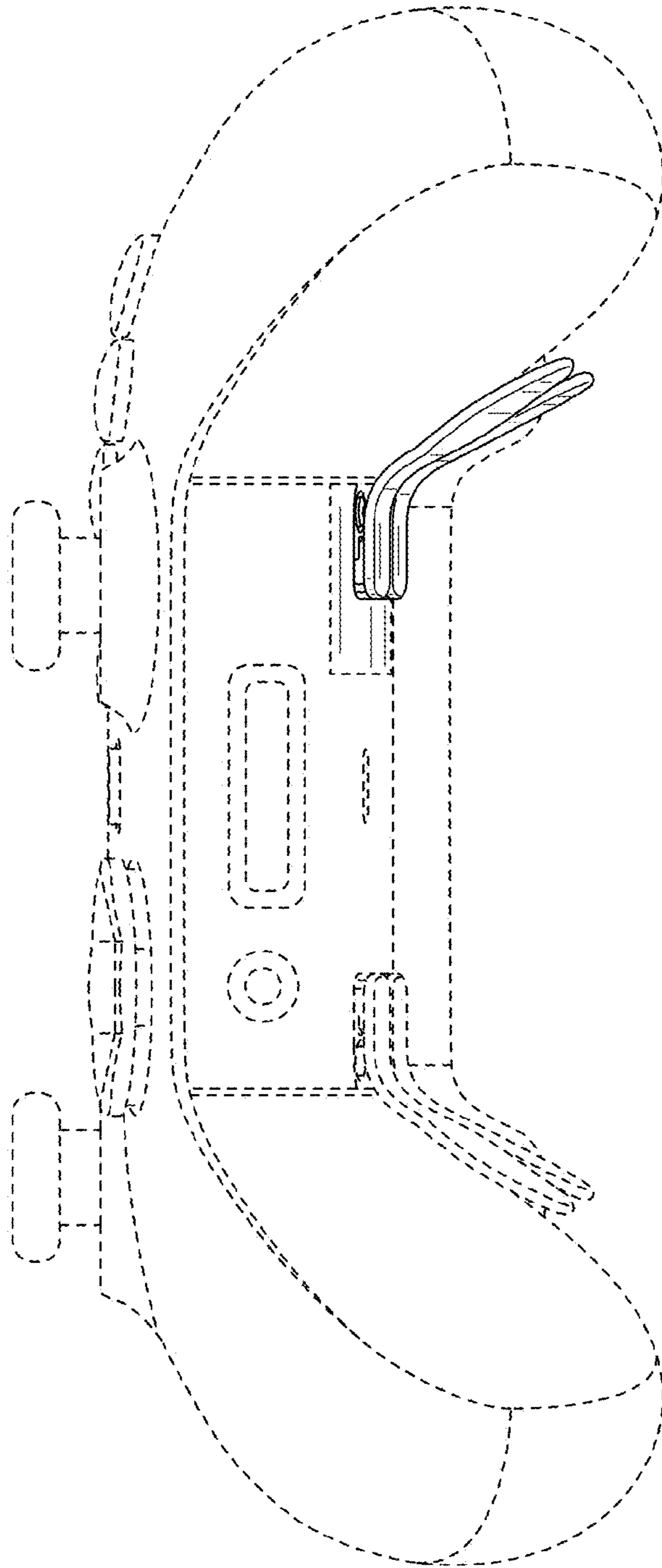


FIG. 3

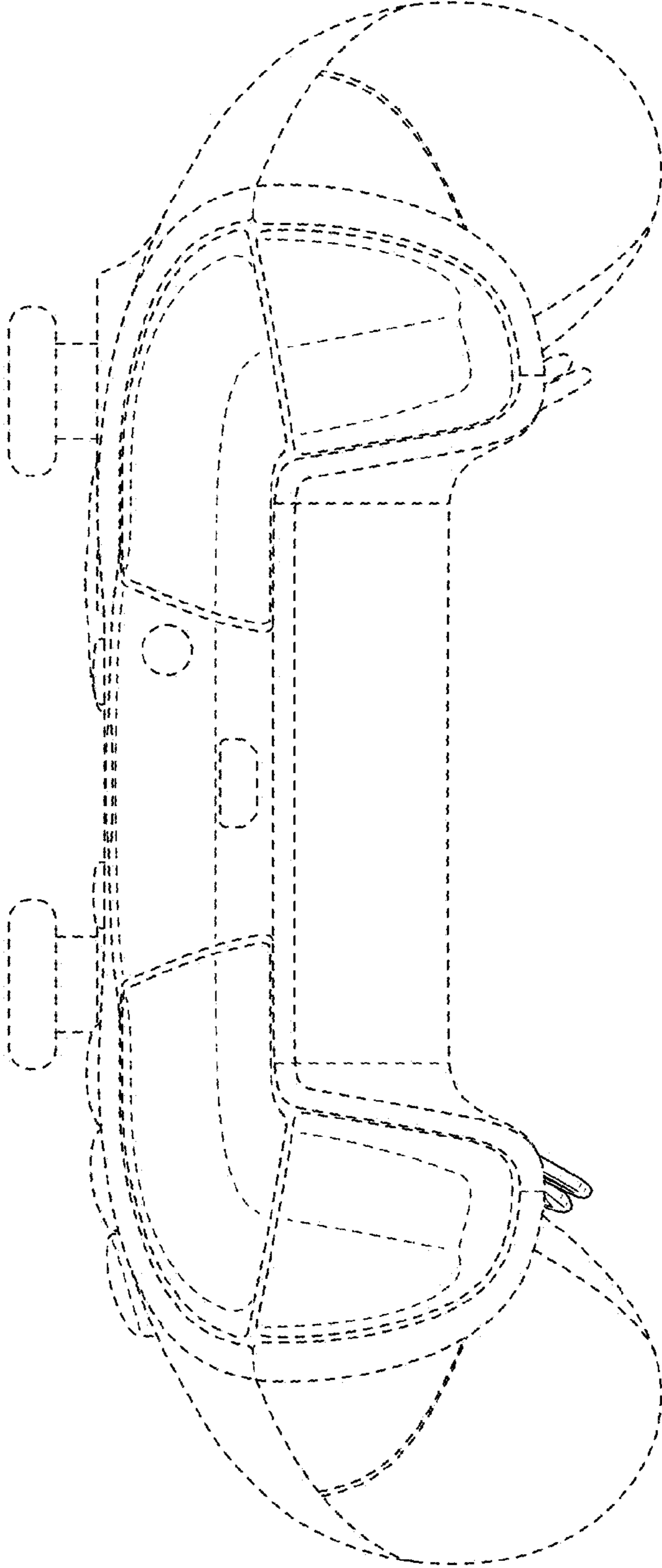


FIG. 4

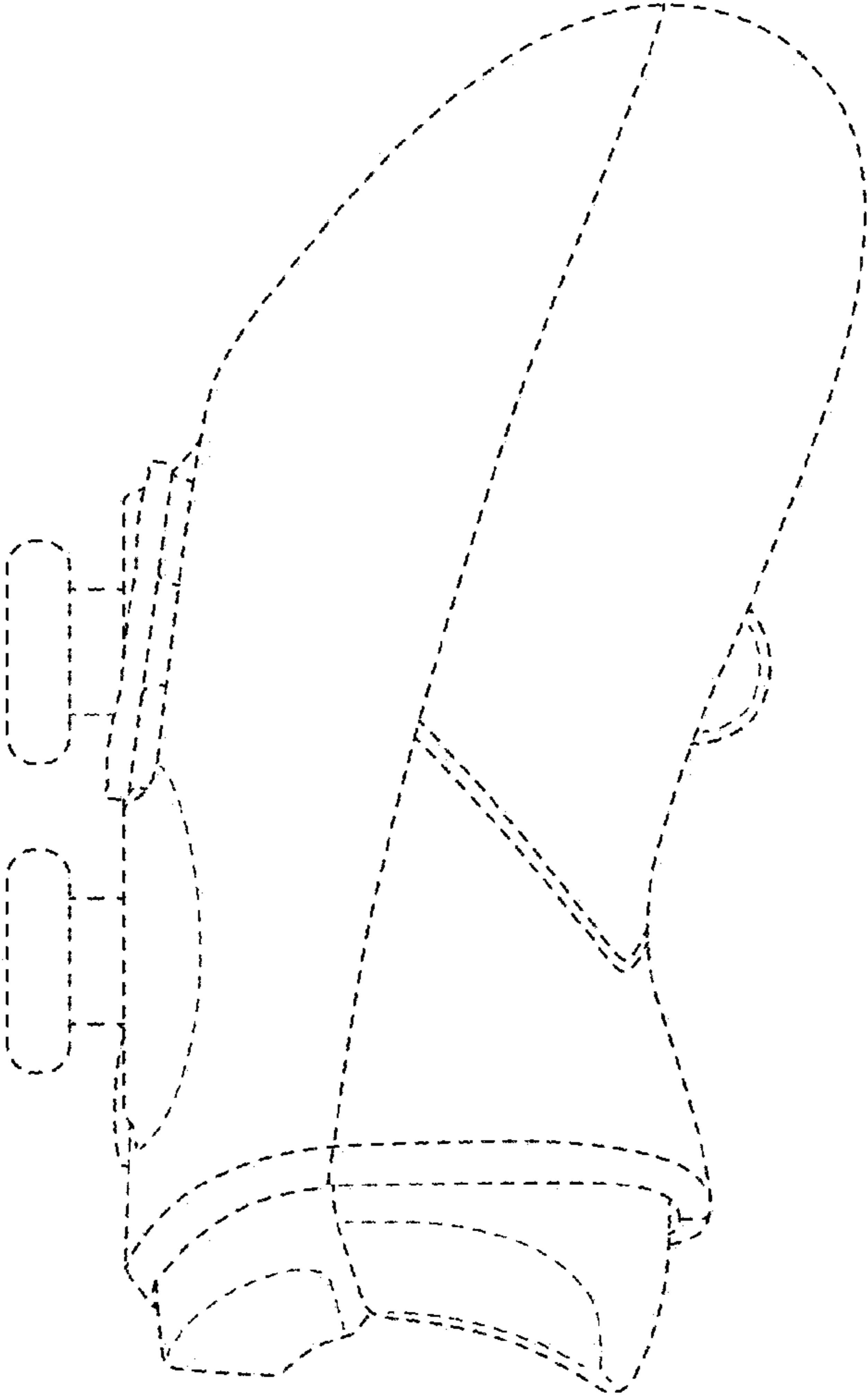


FIG. 5

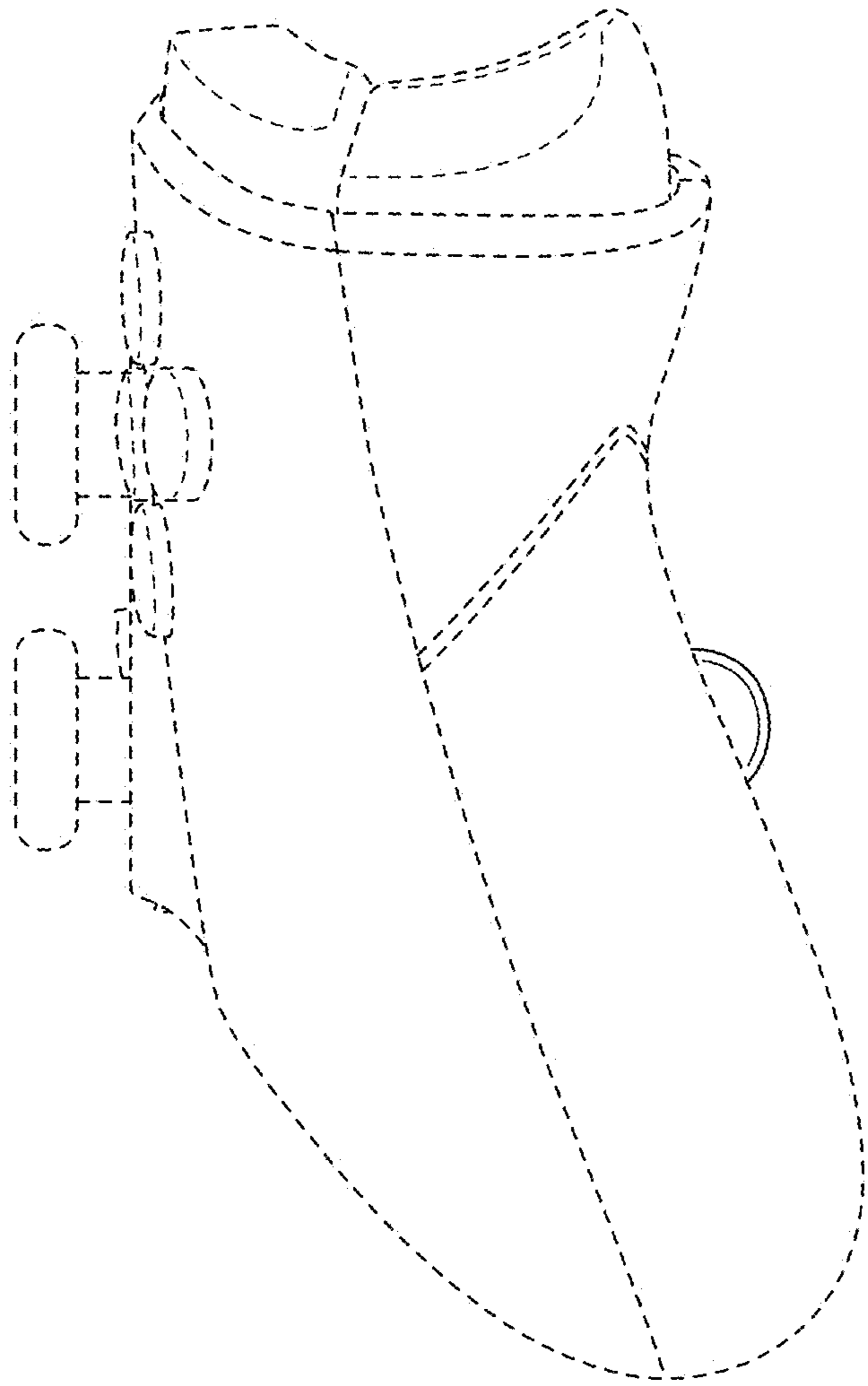


FIG. 6

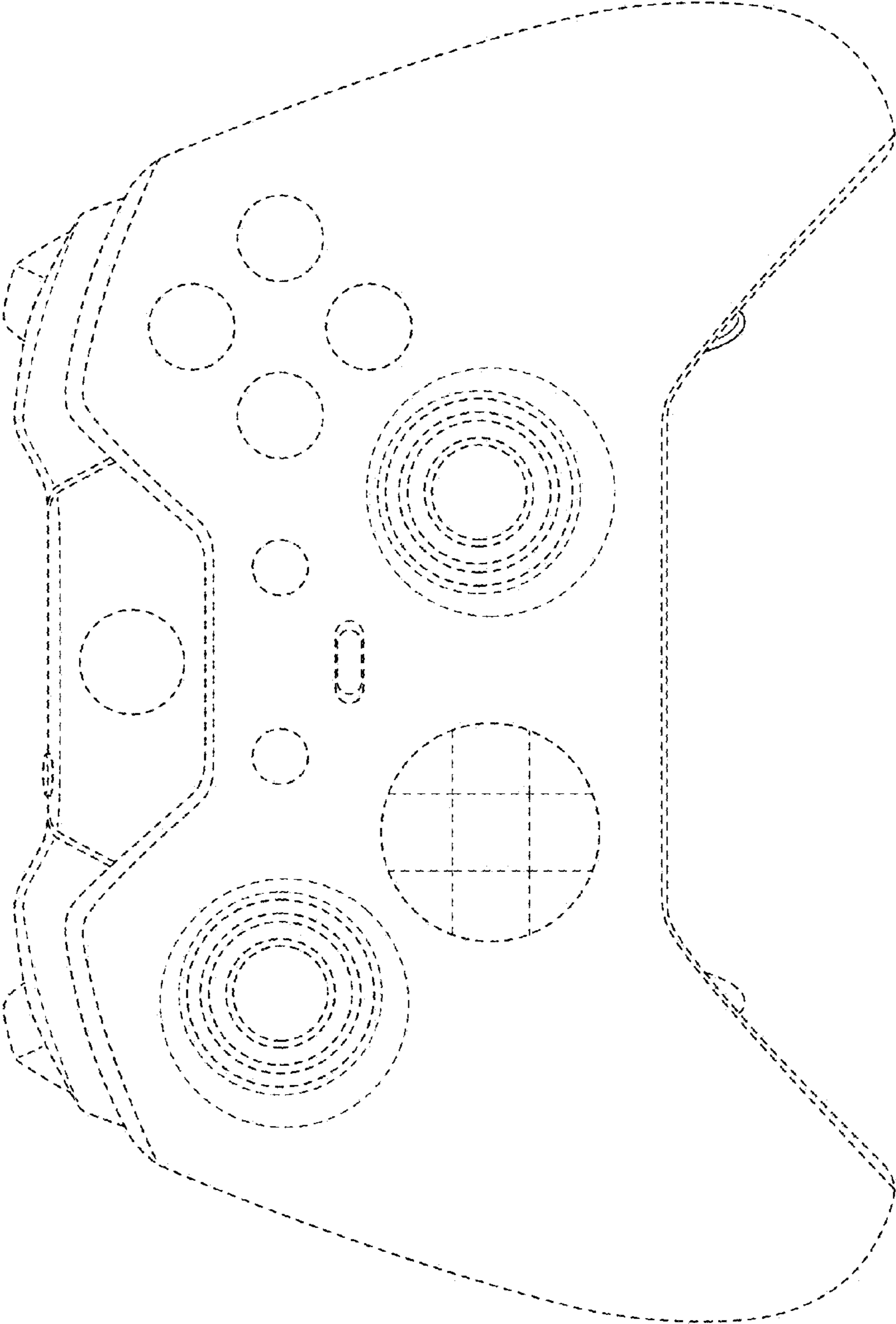


FIG. 7

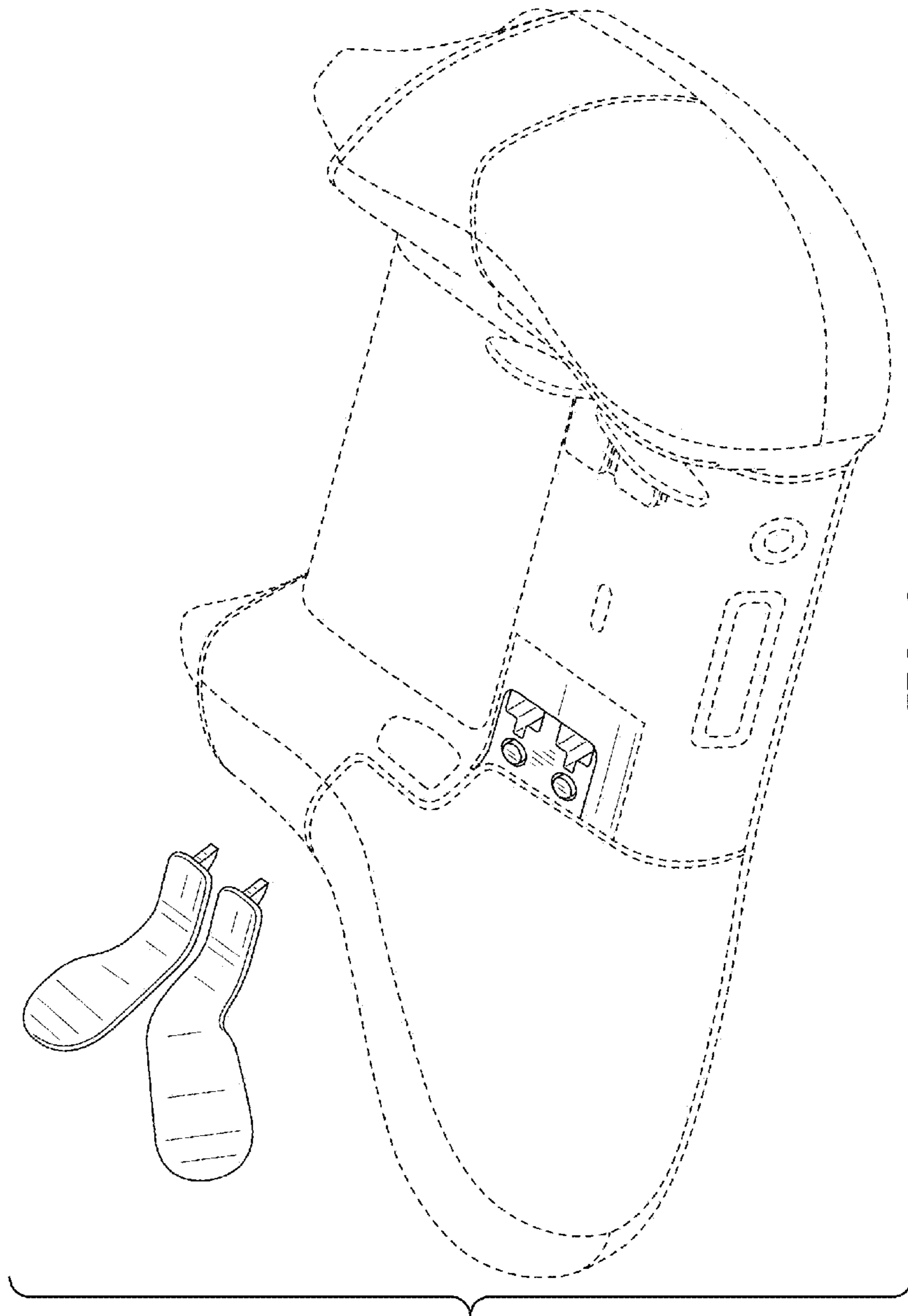


FIG. 8

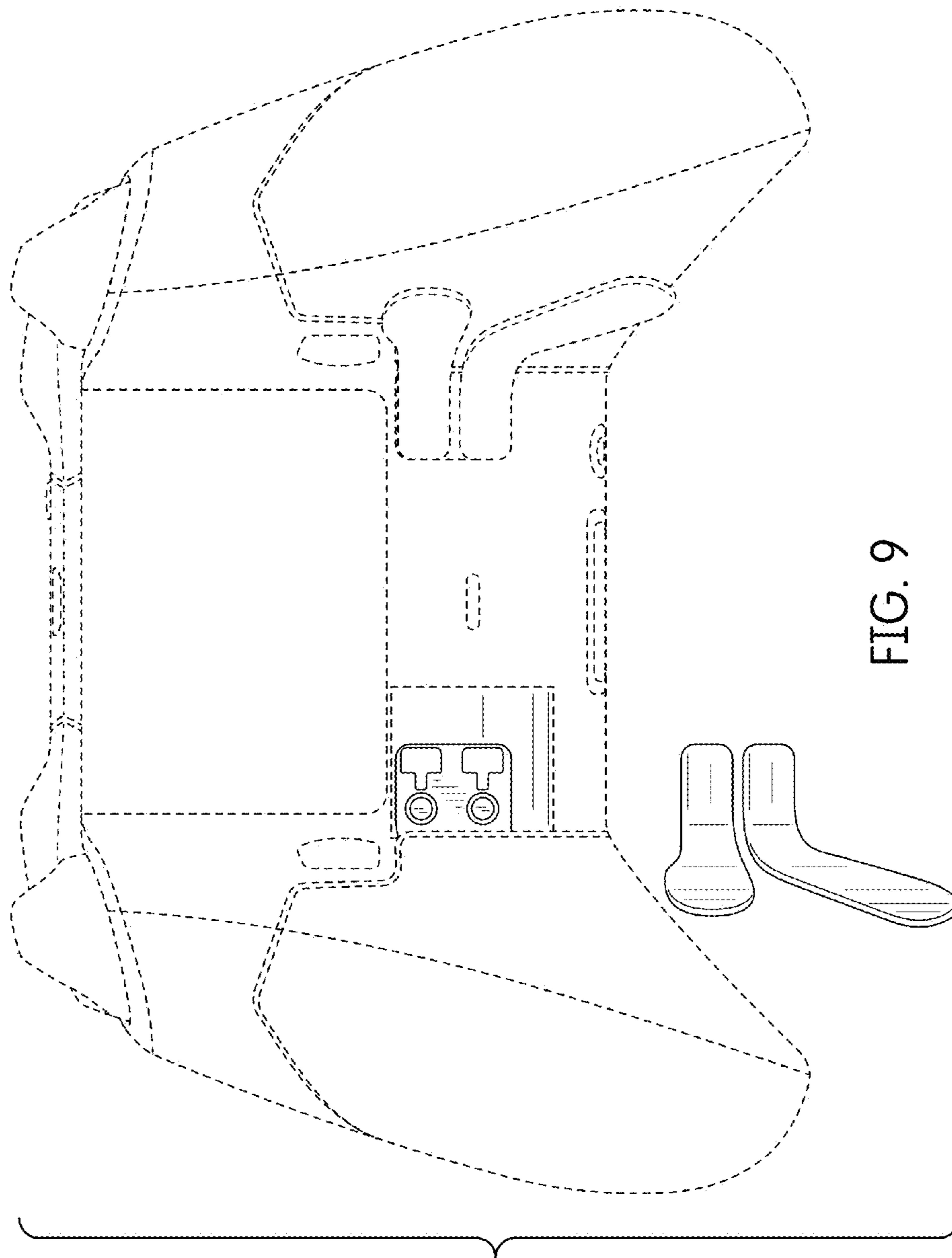


FIG. 9

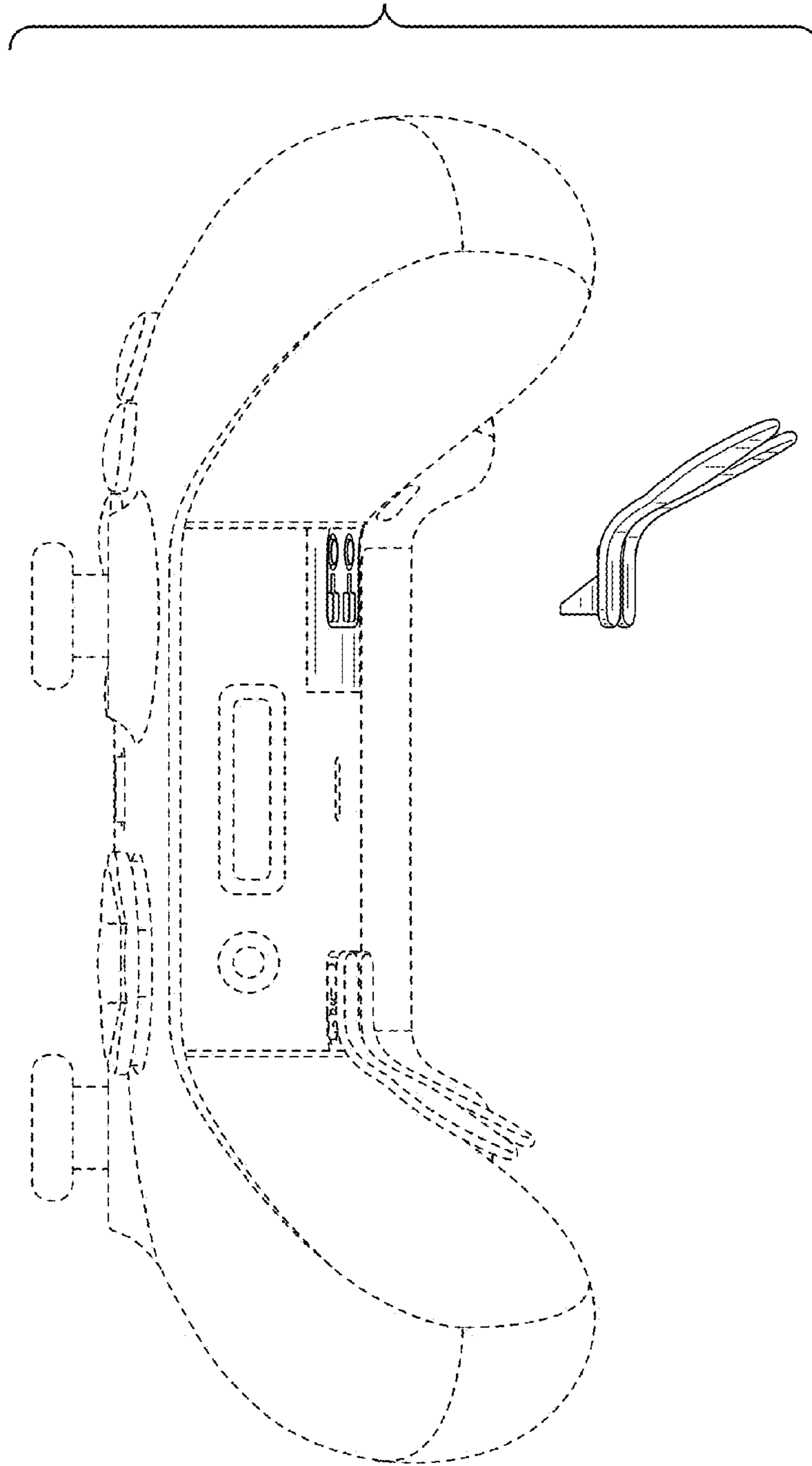


FIG. 10

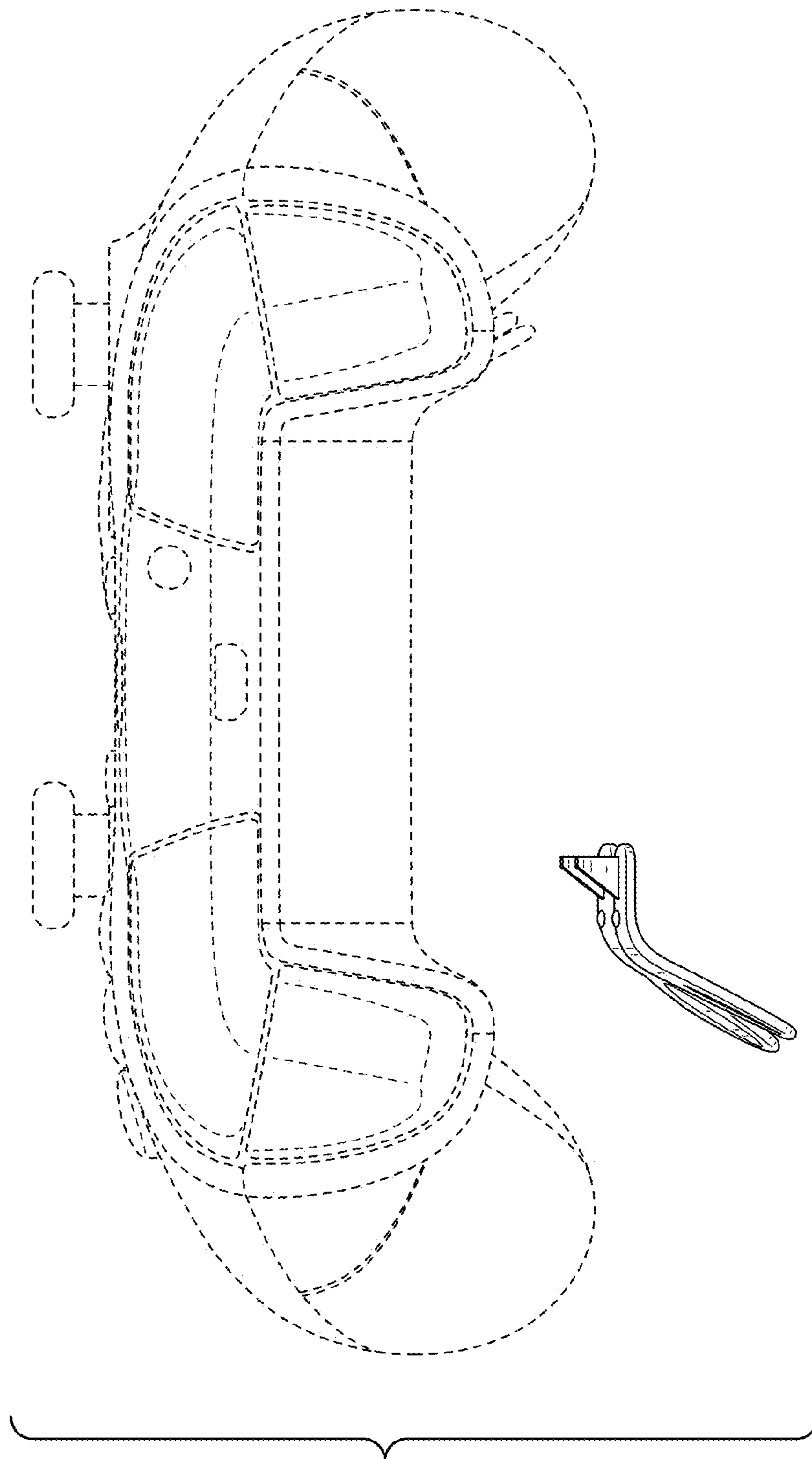


FIG. 11

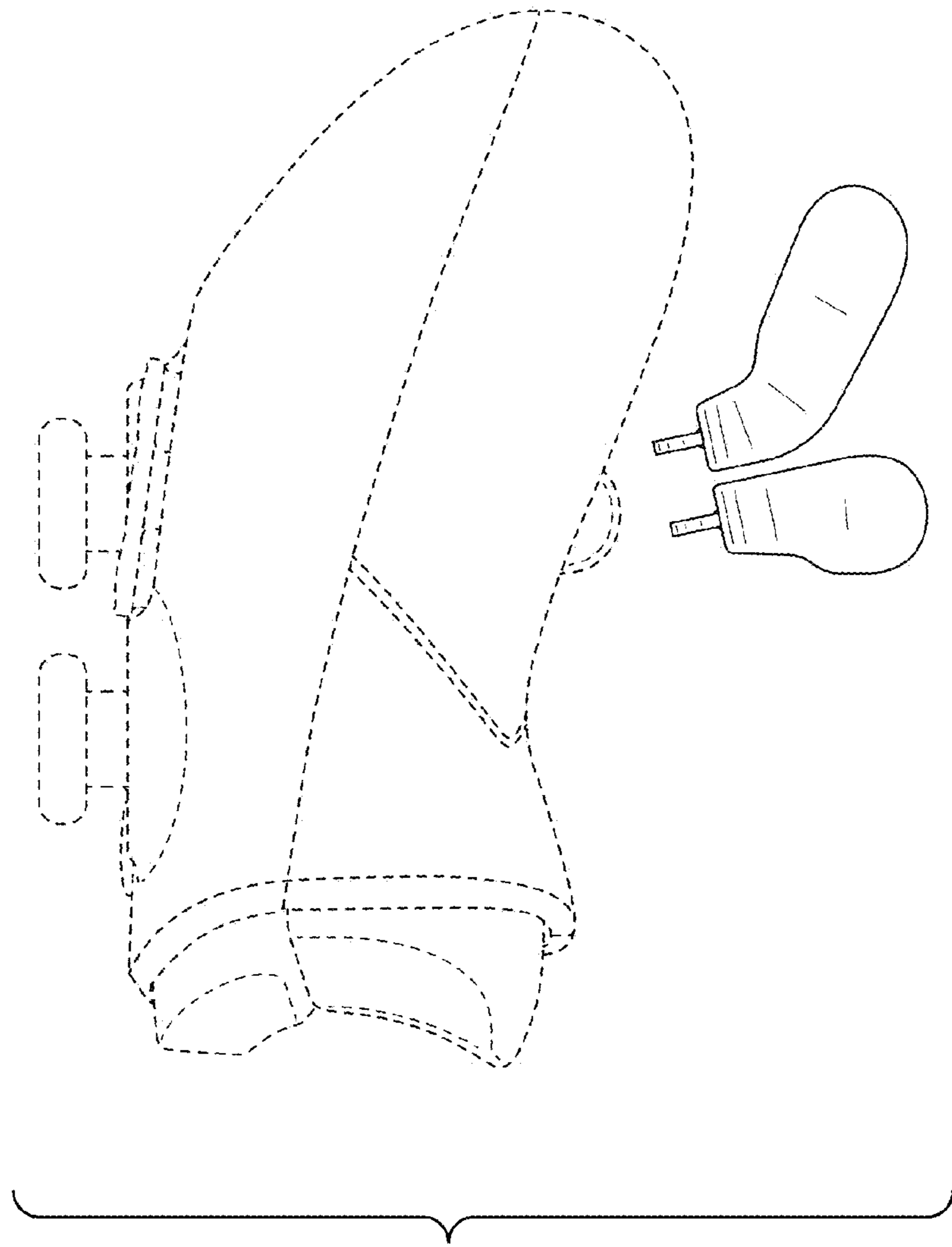


FIG. 12

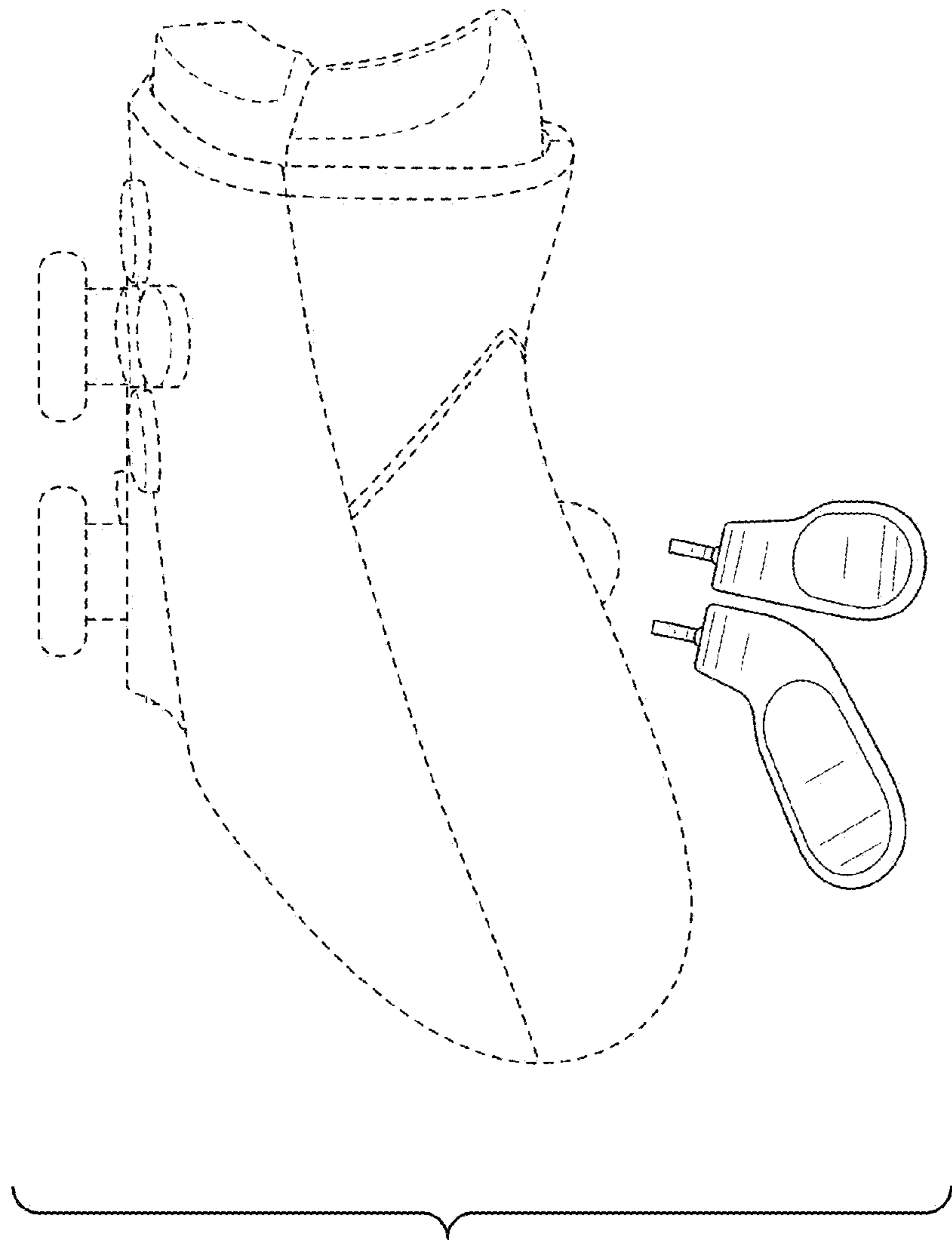


FIG. 13

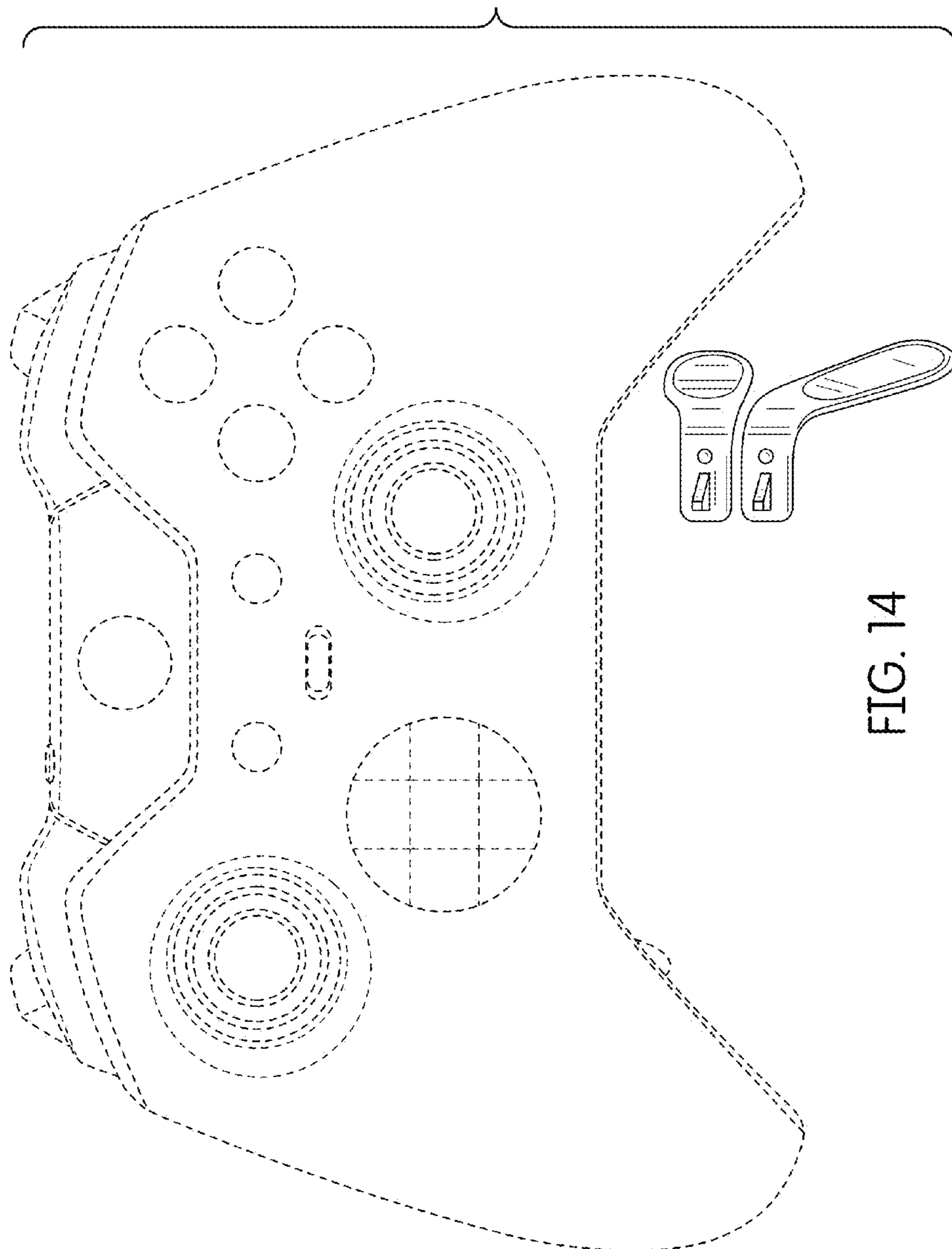


FIG. 14