



US00D765786S

(12) **United States Design Patent** (10) **Patent No.:** **US D765,786 S**
Clark et al. (45) **Date of Patent:** **** Sep. 6, 2016**

(54) **LABEL BASE WITH INDICATOR TAB FOR INDUSTRIAL BINS**

(71) Applicants: **Christopher J. Clark**, Akron, OH (US); **Bartholomew J. Eggert**, Copley, OH (US)

(72) Inventors: **Christopher J. Clark**, Akron, OH (US); **Bartholomew J. Eggert**, Copley, OH (US)

(73) Assignee: **AKRO-MILS, a division of Myers Industries, Inc.**, Wadsworth, OH (US)

(**) Term: **15 Years**

(21) Appl. No.: **29/528,726**

(22) Filed: **Jun. 1, 2015**

Related U.S. Application Data

(63) Continuation-in-part of application No. 14/557,443, filed on Dec. 1, 2014, now abandoned.

(51) **LOC (10) Cl.** **20-03**

(52) **U.S. Cl.**
USPC **D20/43**

(58) **Field of Classification Search**
USPC D20/10, 42-44, 99; D25/119
CPC G09F 1/10; G09F 1/103; G09F 1/12;
G09F 1/14; G09F 2001/106; G09F 3/18;
G09F 3/185; G09F 3/20; G09F 3/201;
G09F 3/202; G09F 3/204; G09F 7/10;
G09F 7/18

See application file for complete search history.

(56) **References Cited**

U.S. PATENT DOCUMENTS

D225,208 S *	11/1972	Miller	D20/44
D314,017 S *	1/1991	Garfinkle	D20/43
D347,449 S *	5/1994	Garfinkle	D20/43
D476,375 S *	6/2003	Zadak	D20/43
D527,426 S *	8/2006	Mason	D20/43
7,334,363 B1 *	2/2008	Hansen	B42F 21/065 211/162
D646,509 S *	10/2011	Luebcke	D19/90
D748,731 S *	2/2016	Kopco	D20/43
D748,732 S *	2/2016	Kopco	D20/43

* cited by examiner

Primary Examiner — Mary Ann Calabrese

(74) *Attorney, Agent, or Firm* — Dureska & Moore, LLC; Brent L. Moore

(57) **CLAIM**

We claim the ornamental design for a label base with indicator tab for industrial bins, as shown and described.

DESCRIPTION

FIG. 1 is a top front left perspective view of a label base with an indicator tab for use with an industrial bin.

FIG. 2 is a bottom front left perspective view thereof.

FIG. 3 is a rear plan view thereof.

FIG. 4 is a front plan view thereof.

FIG. 5 is a left side plan view thereof.

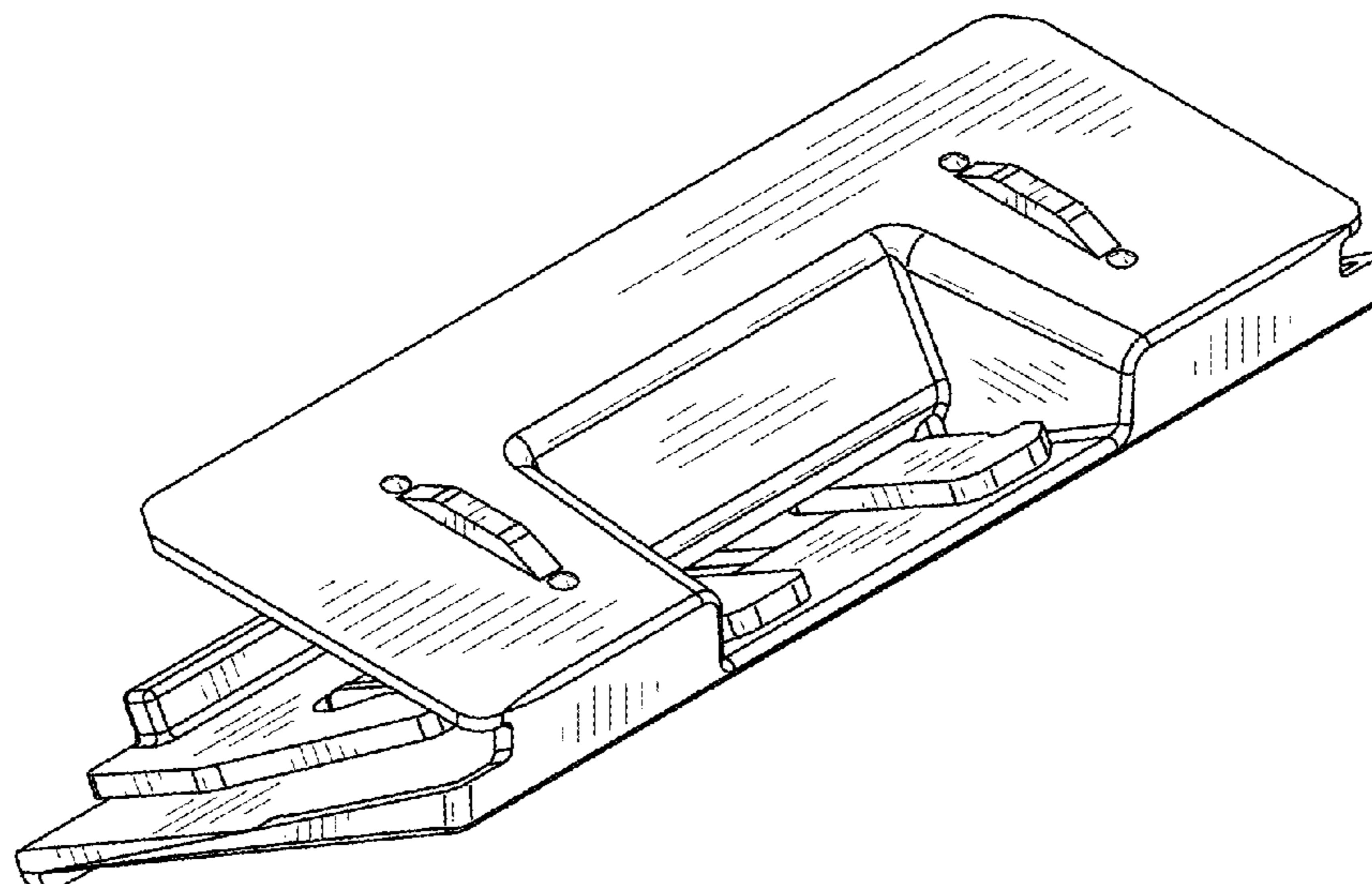
FIG. 6 is a bottom plan view thereof.

FIG. 7 is a top plan view thereof.

FIG. 8 is a front right perspective view thereof, with indicator tab extended; and,

FIG. 9 is a front plan view thereof with indicator tab extended.

1 Claim, 4 Drawing Sheets



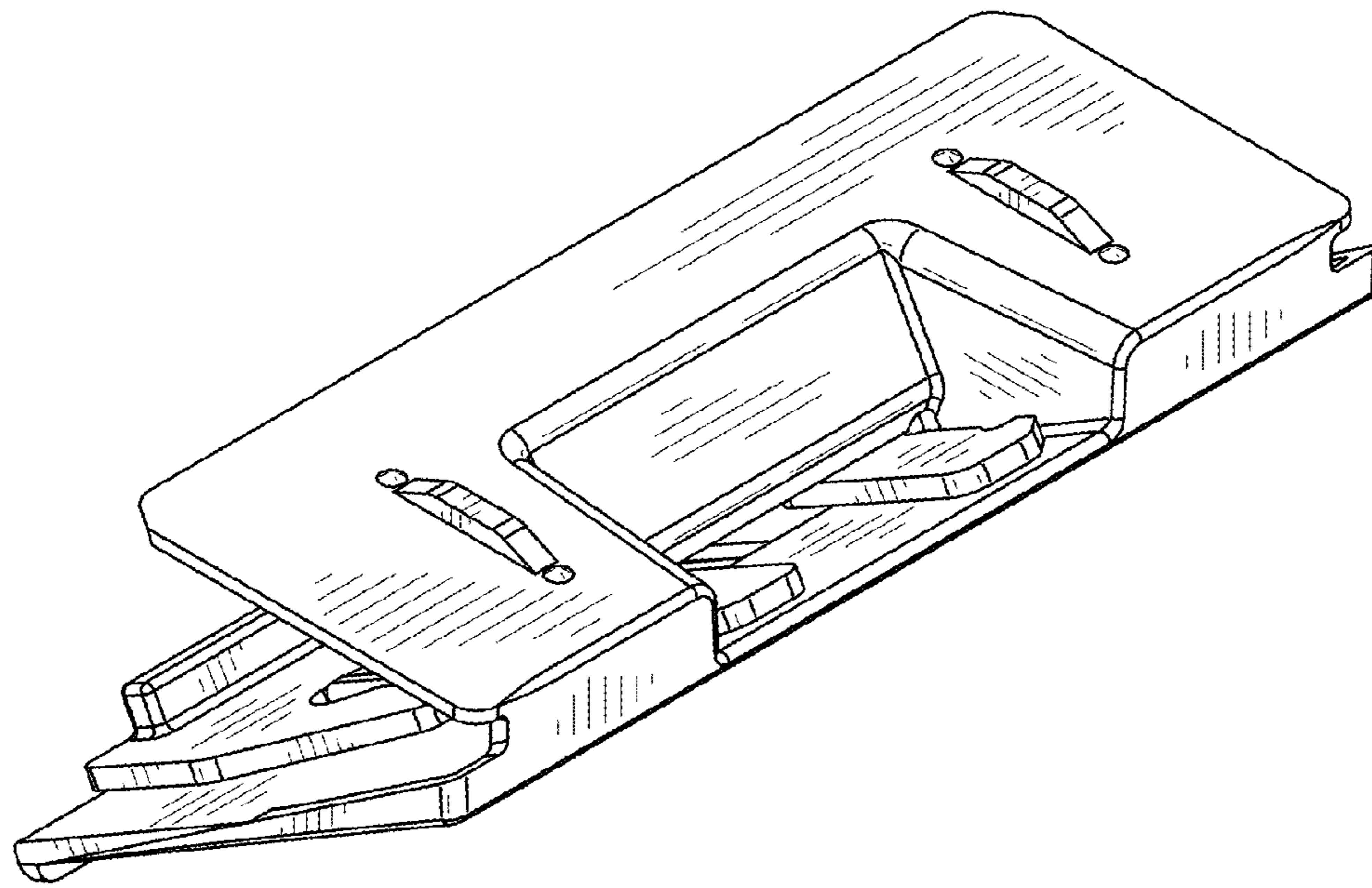


FIG. 1

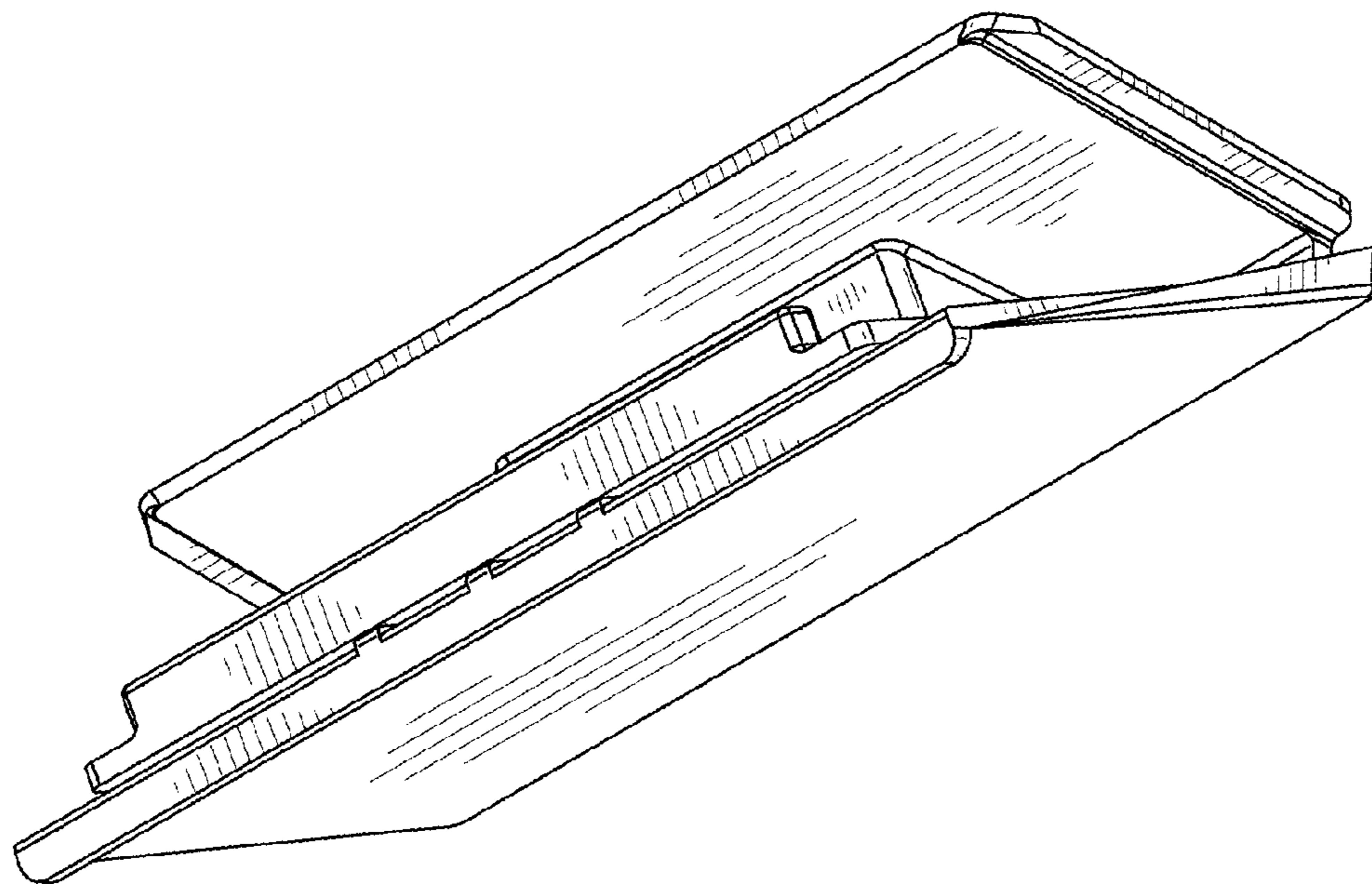


FIG. 2

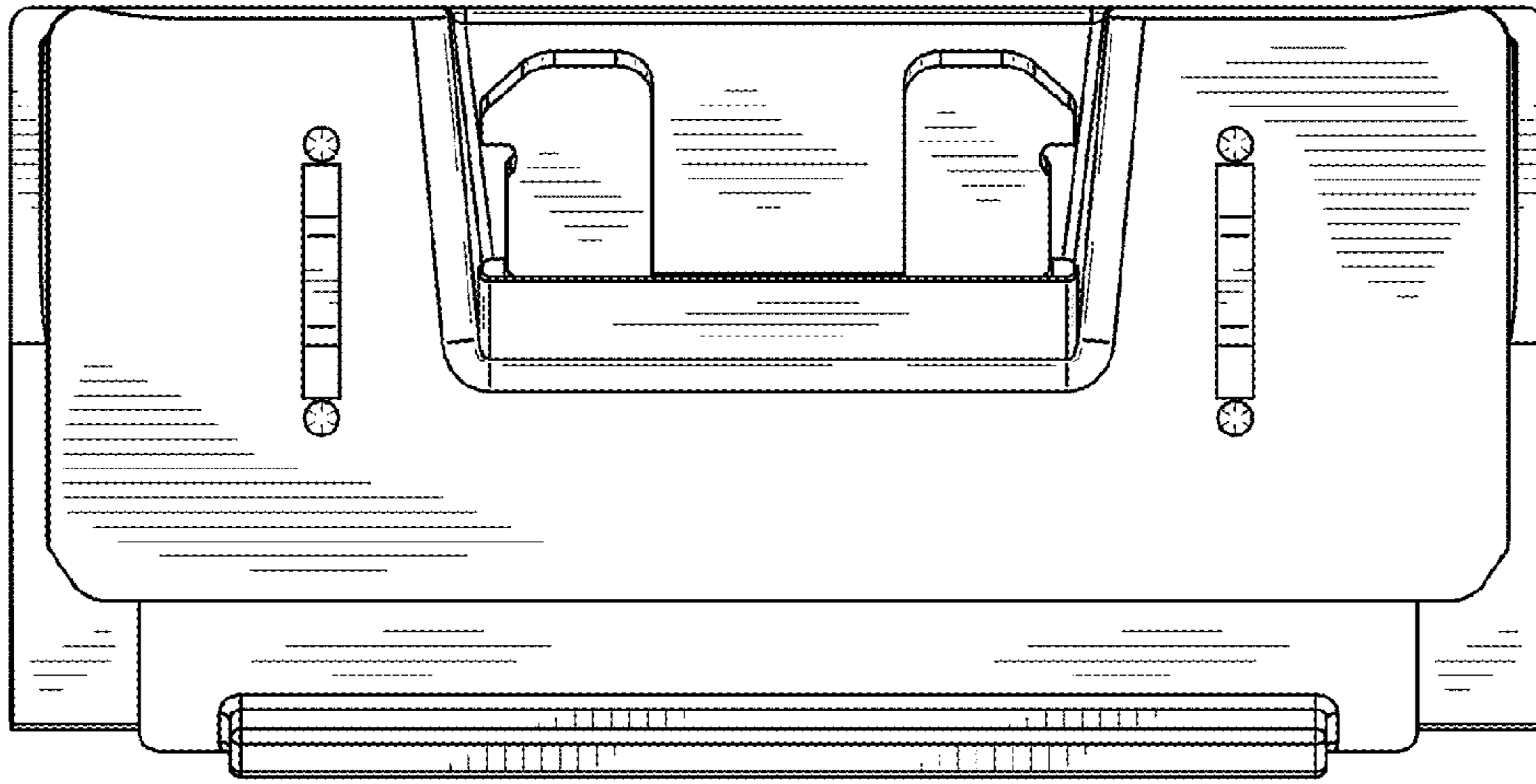


FIG. 3

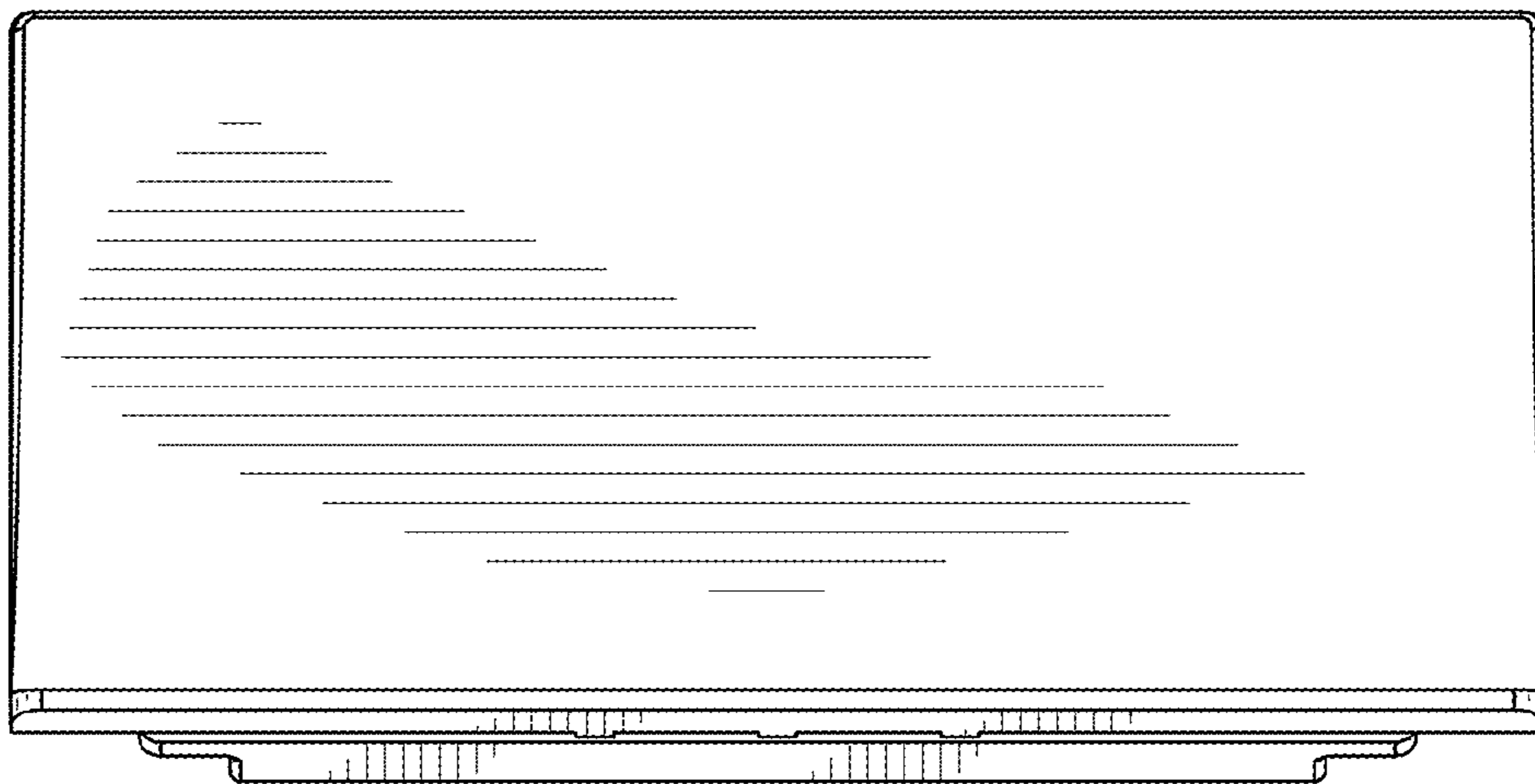


FIG. 4

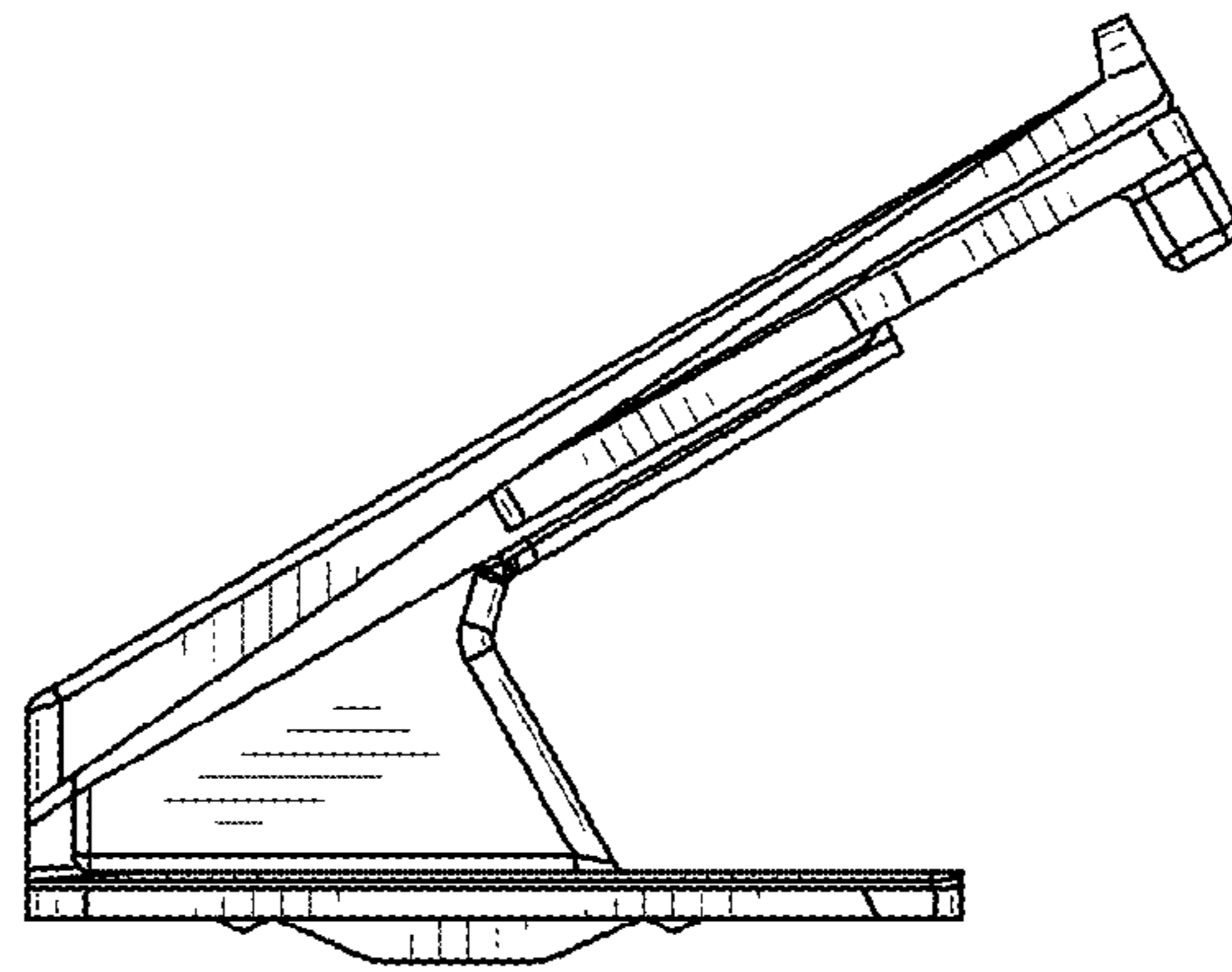


FIG. 5

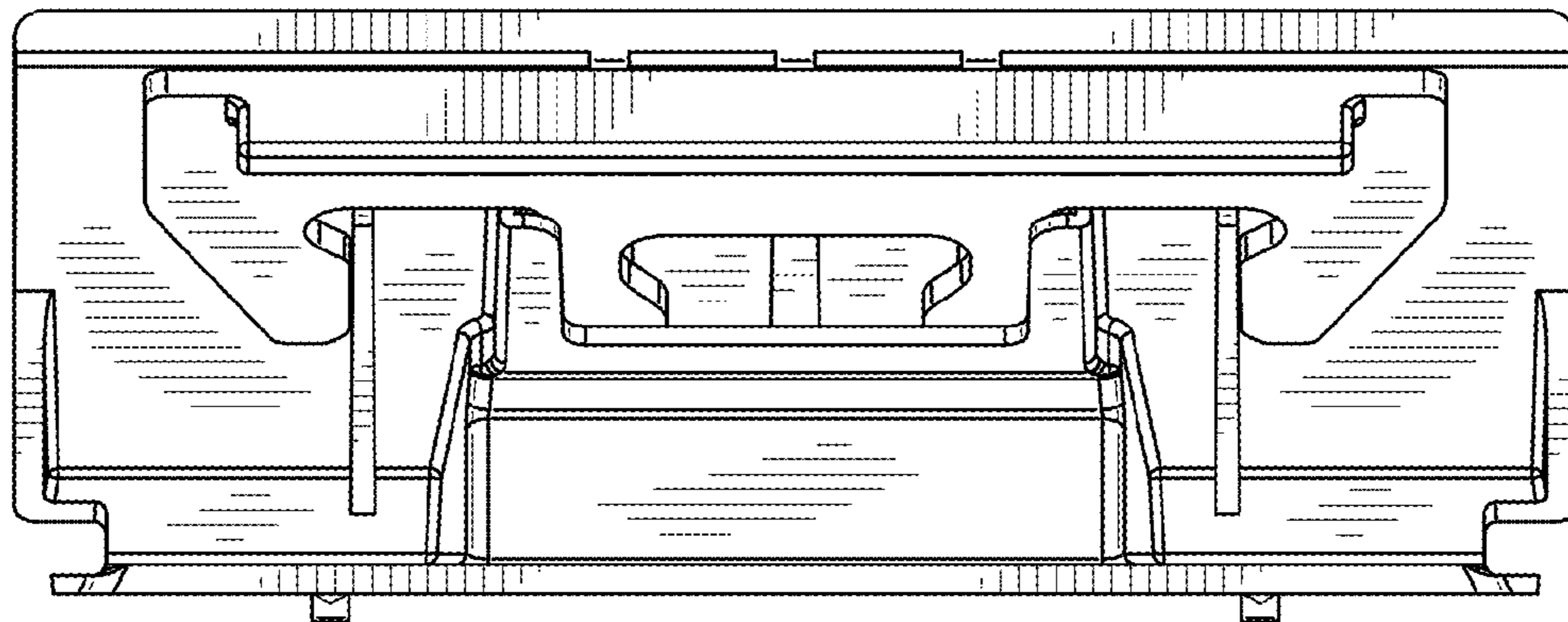


FIG. 6

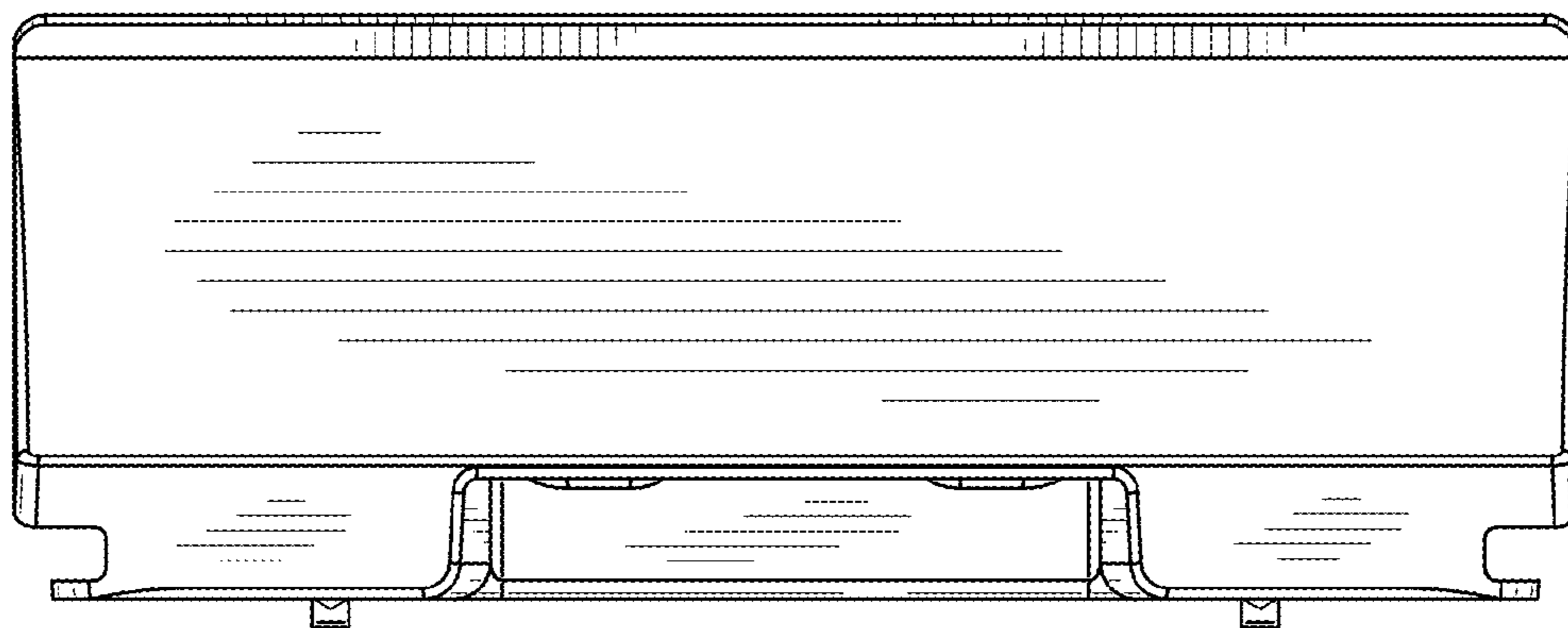


FIG. 7

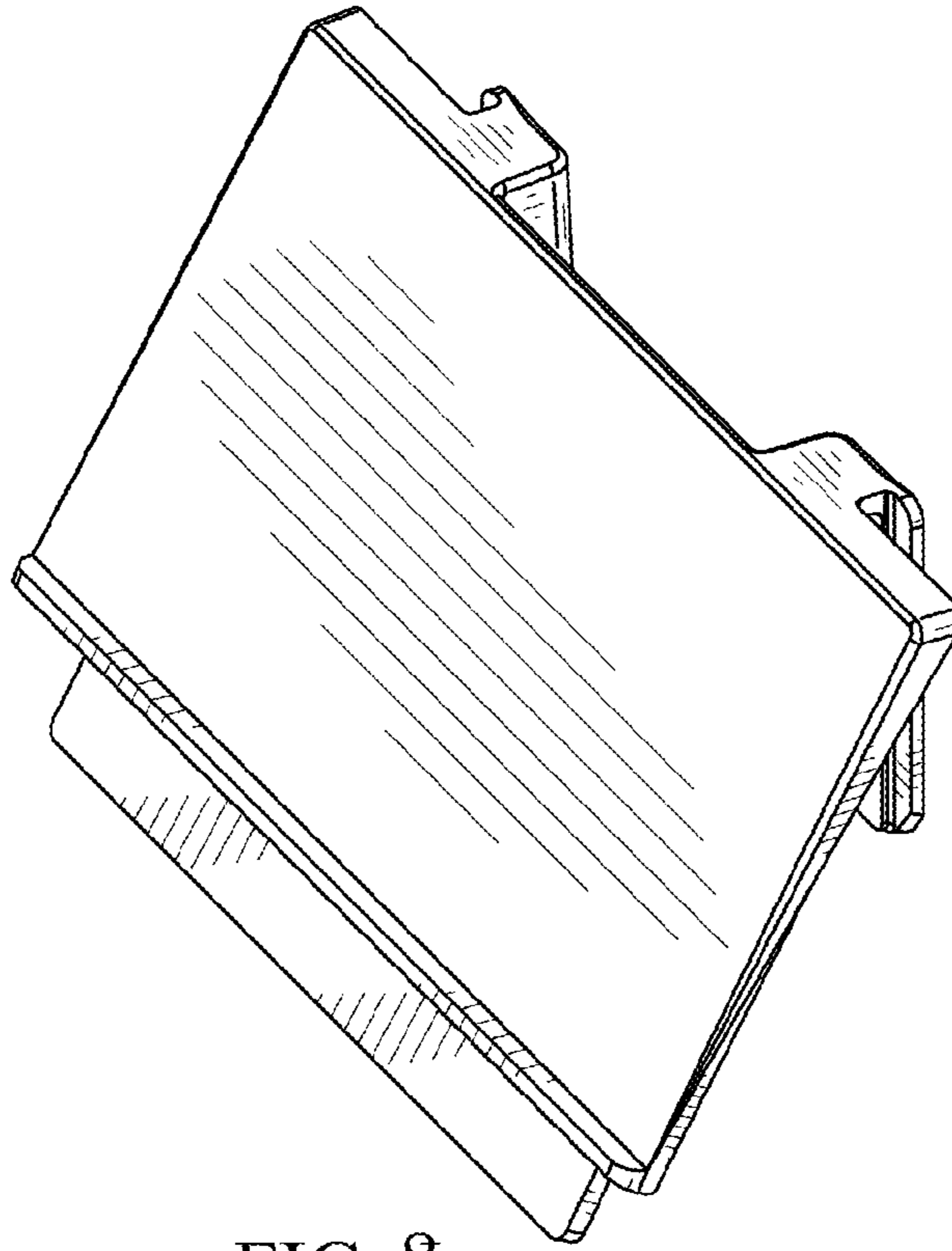


FIG. 8

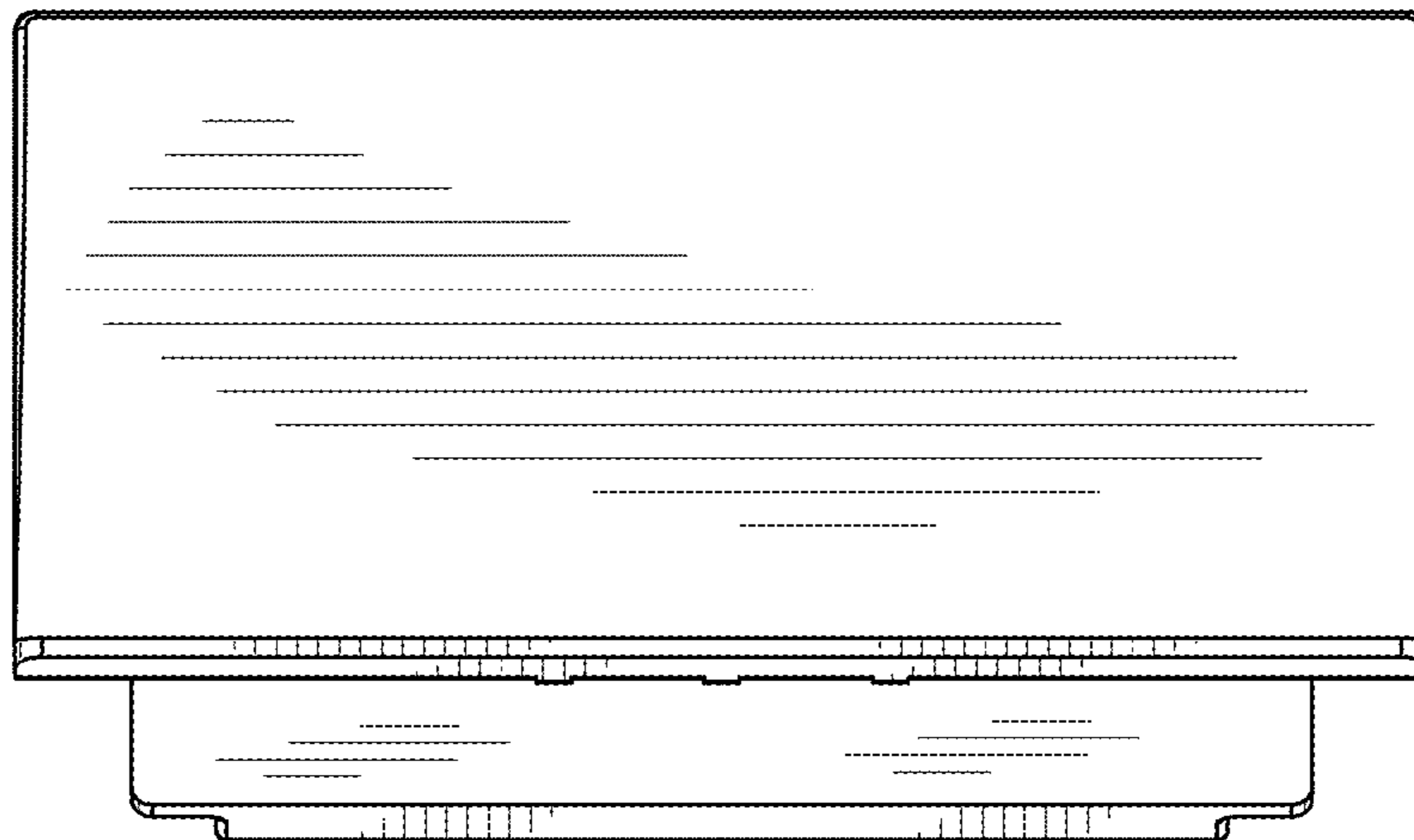


FIG. 9