



US00D765782S

(12) **United States Design Patent**
Ehrlich et al.

(10) **Patent No.:** **US D765,782 S**
(45) **Date of Patent:** **** Sep. 6, 2016**

- (54) **PENCIL WITH CAP AND STYLUS**
- (71) Applicant: **J.S. Staedtler GmbH & Co. KG**,
Nürnberg (DE)
- (72) Inventors: **André Ehrlich**, Fürth (DE); **Christian Leibeck**, Nürnberg (DE); **Bastian Weber**, Nürnberg (DE)
- (73) Assignee: **STAEDTLER MARS GMBH & CO. KG**, Nürnberg (DE)
- (**) Term: **15 Years**
- (21) Appl. No.: **29/528,323**
- (22) Filed: **May 28, 2015**

- D266,769 S * 11/1982 Camps D19/169
- D286,547 S * 11/1986 Koizumi D19/169
- D323,529 S * 1/1992 Rousseau D19/168
- D409,241 S * 5/1999 Melnick D19/164
- D504,152 S * 4/2005 Collin D19/168
- D504,154 S * 4/2005 Collin D19/164
- 7,461,991 B2 * 12/2008 Dalancourt B43K 5/005
401/208
- D598,496 S * 8/2009 Ikeda D19/168
- D628,241 S * 11/2010 Stukenkemper D19/168
- D628,636 S * 12/2010 Wang D19/169
- D628,640 S * 12/2010 Wang D19/173
- D645,083 S * 9/2011 Stukenkemper D19/168
- D662,986 S * 7/2012 Liu D19/169
- D698,864 S * 2/2014 Watase D19/164
- D700,656 S * 3/2014 Schweig D19/168
- D700,657 S * 3/2014 Schweig D19/170
- D701,267 S * 3/2014 Schweig D19/170
- D703,751 S * 4/2014 Schweig D19/168

* cited by examiner

Related U.S. Application Data

- (62) Division of application No. 29/461,605, filed on Jul. 25, 2013, now Pat. No. Des. 733,220.

Foreign Application Priority Data

- Jan. 25, 2013 (EM) 002 172 510

- (51) **LOC (10) Cl.** **19-06**

- (52) **U.S. Cl.**
USPC **D19/164**

- (58) **Field of Classification Search**
USPC D14/411; D19/115-204
CPC B43K 5/00; B43K 5/005; B43K 7/00;
B43K 7/10; B43K 7/12; B43K 8/04
See application file for complete search history.

(56) **References Cited**

U.S. PATENT DOCUMENTS

- 1,957,366 A * 5/1934 Stockman B43K 29/013
101/333
- D259,792 S * 7/1981 Itoh D19/169

Primary Examiner — Elizabeth Albert

(74) *Attorney, Agent, or Firm* — Lucas & Mercanti, LLP;
Klaus P. Stoffel

(57) **CLAIM**

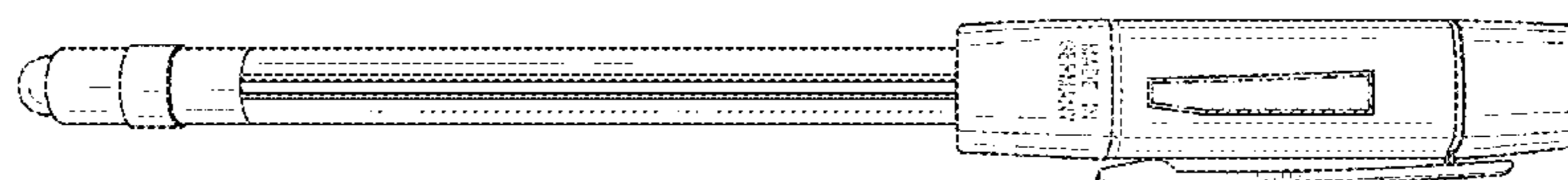
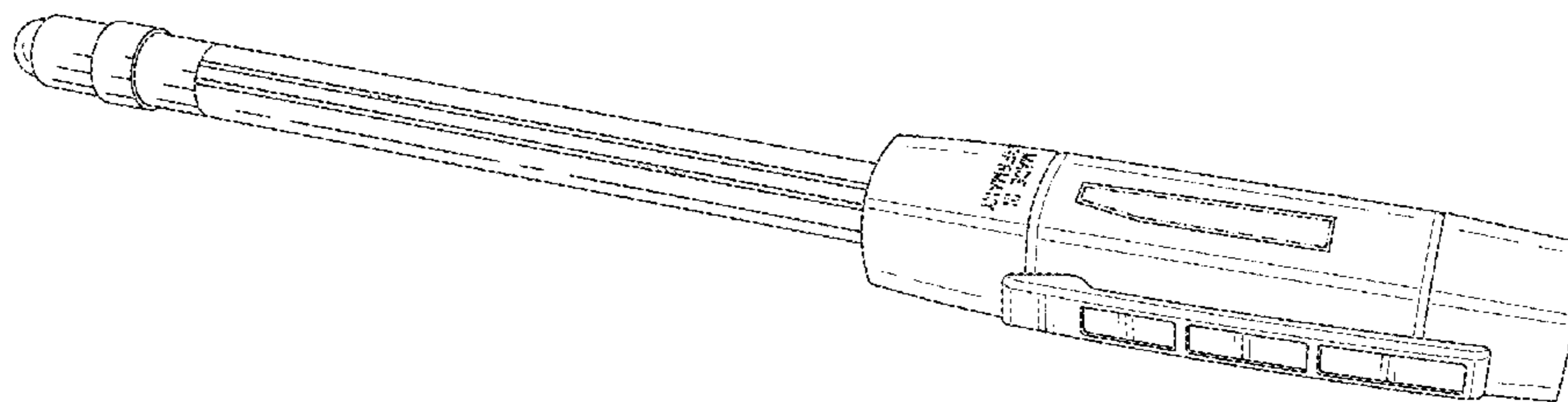
The ornamental design for a pencil with cap and stylus, as shown and described.

DESCRIPTION

FIG. 1 is a perspective view of the pencil with cap and stylus of the present invention;
 FIG. 2 is a front view thereof;
 FIG. 3 is a rear view thereof;
 FIG. 4 is a left side view thereof;
 FIG. 5 is a right side view thereof;
 FIG. 6 is a bottom view thereof; and,
 FIG. 7 is a top view thereof.

The broken lines shown in the drawings are included to show portions of the pencil with cap and stylus that form no part of the claimed design.

1 Claim, 4 Drawing Sheets



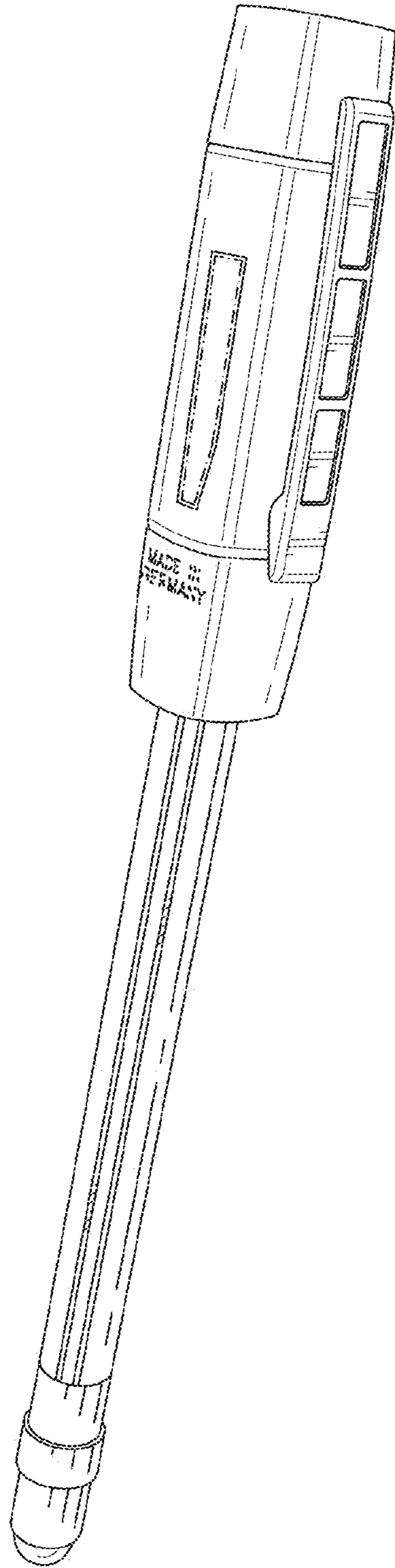


FIG. 1

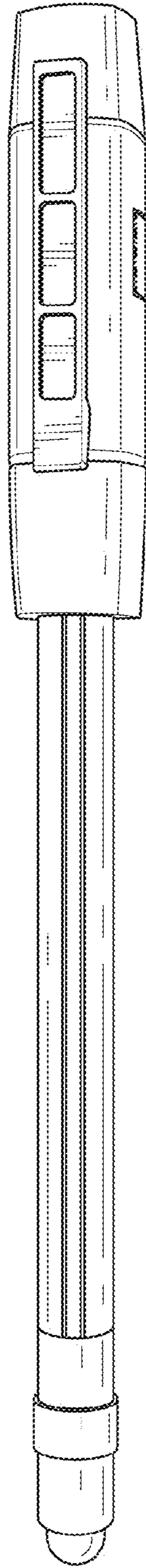


FIG. 2

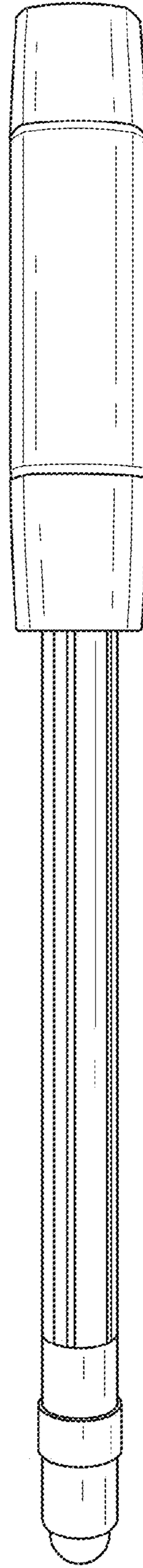


FIG. 3

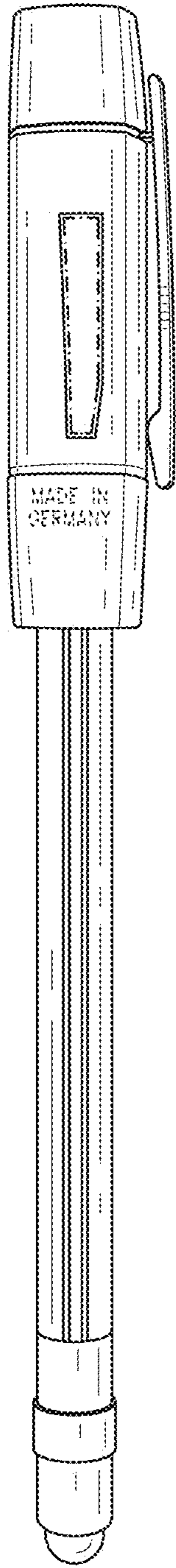


FIG. 4

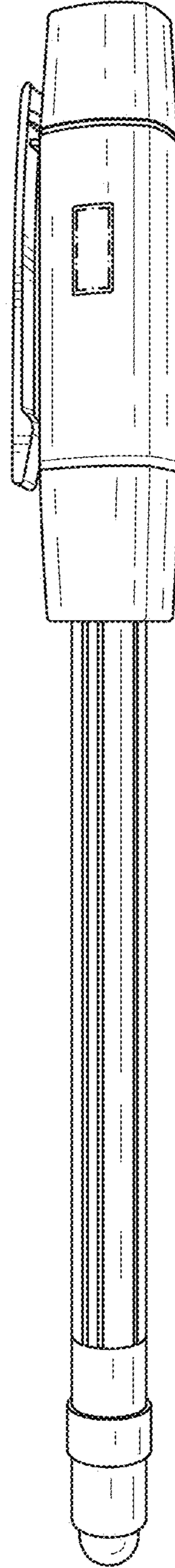


FIG. 5

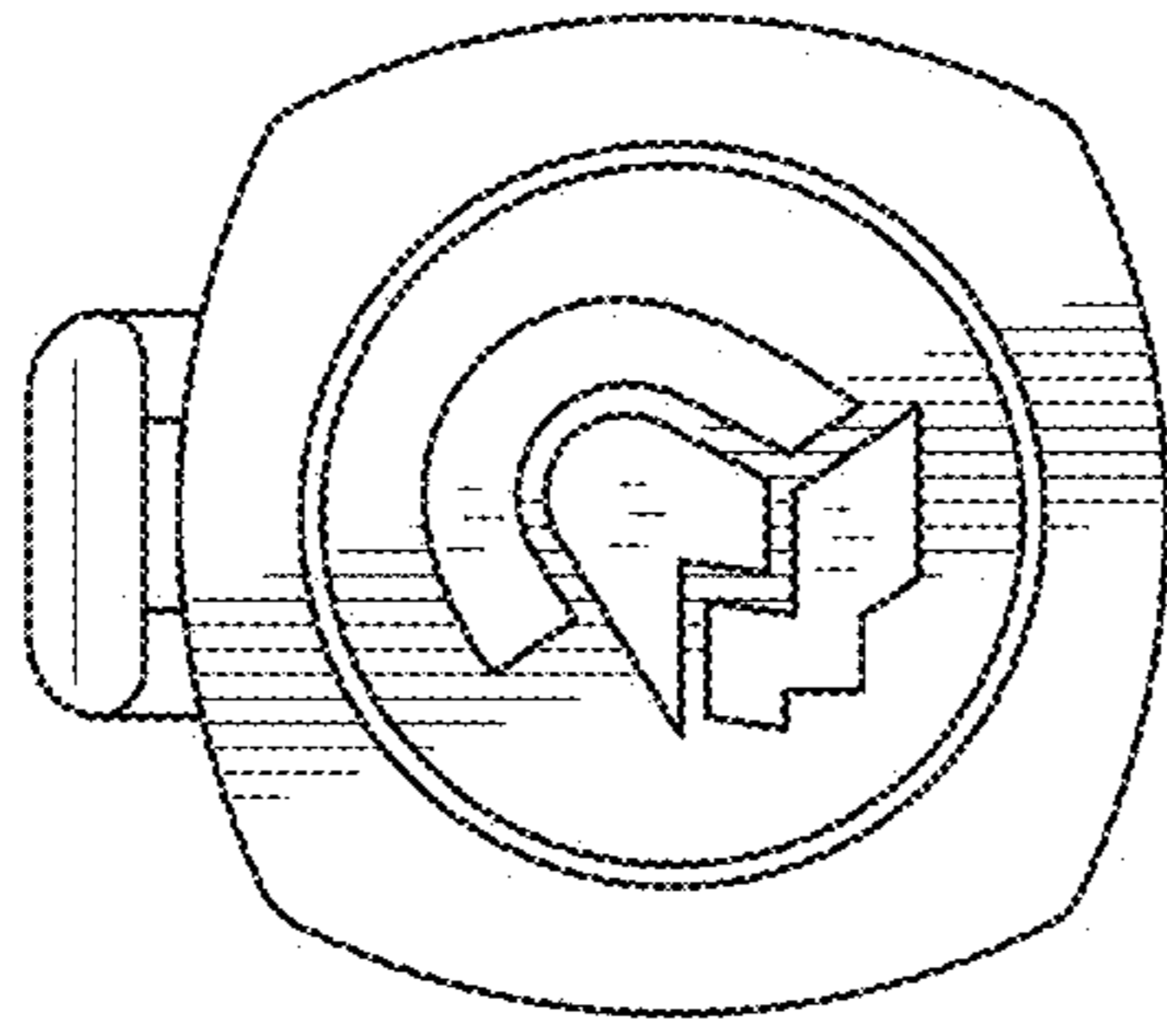


FIG. 7

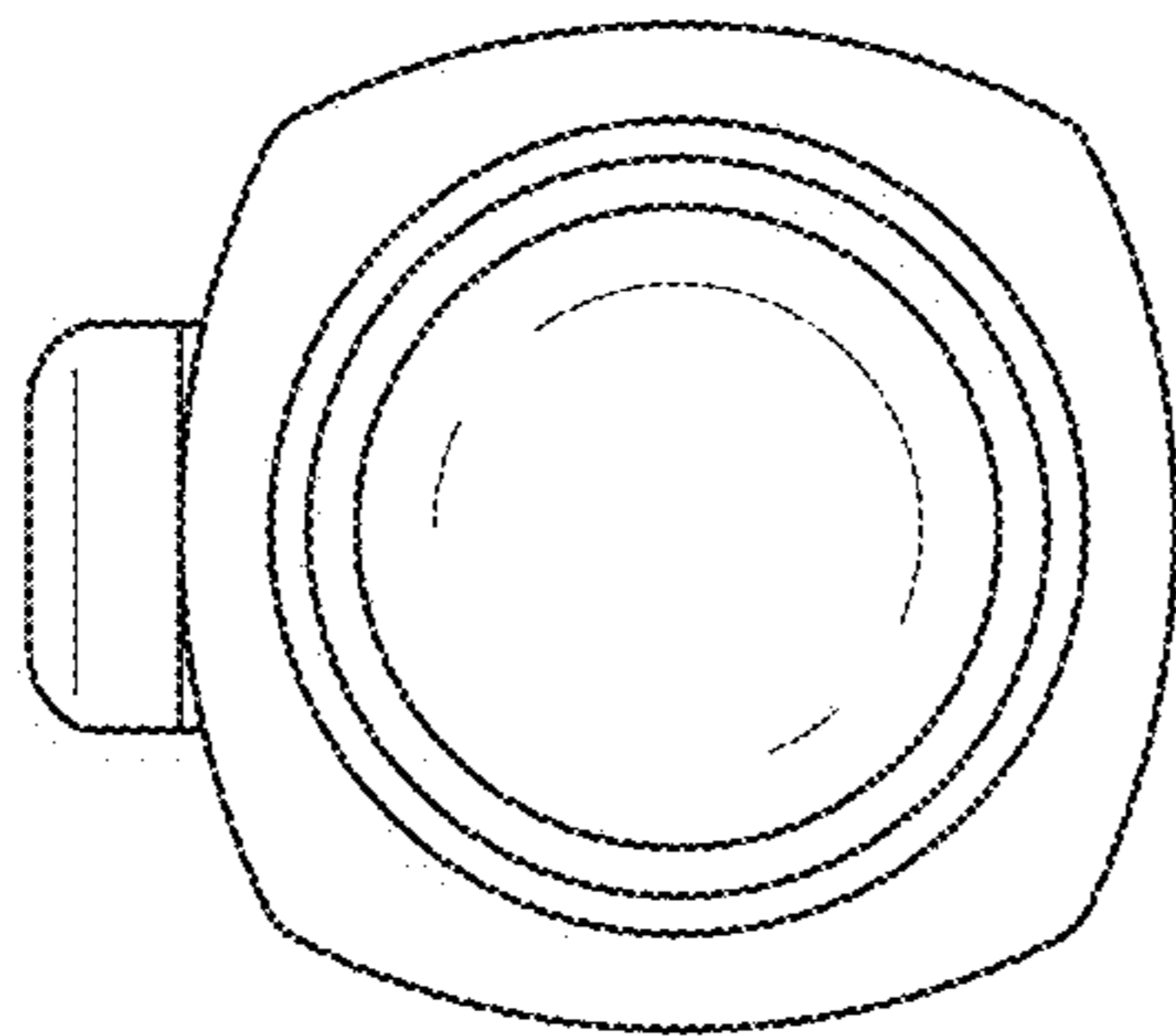


FIG. 6