



US00D765778S

(12) **United States Design Patent**
Larson

(10) **Patent No.:** **US D765,778 S**

(45) **Date of Patent:** **** Sep. 6, 2016**

(54) **POP-UP GREETING CARD WITH COIN**

(71) Applicant: **American Greetings Corporation,**
Cleveland, OH (US)

(72) Inventor: **Seth Larson,** Lakewood, OH (US)

(73) Assignee: **American Greetings Corporation,**
Cleveland, OH (US)

(**) Term: **15 Years**

(21) Appl. No.: **29/536,376**

(22) Filed: **Aug. 17, 2015**

(51) **LOC (10) Cl.** **19-01**

(52) **U.S. Cl.**
USPC **D19/1**

(58) **Field of Classification Search**

USPC D19/1-12, 20-34; D20/10, 22, 27, 40,
D20/42; 428/15-20, 27, 8-9; 229/67.1,
229/92.8, 92, 92.1, 300-303; 220/495.03;
283/117, 56, 2-4, 74-75, 103,
283/105-106; 446/147-149, 487-488;
206/461, 575, 577, 45.28, 45.29,
206/767-768, 449, 308.3;
40/124.01-124.15, 124.19, 538-539,
40/421
CPC .. B42D 15/00; B42D 15/022; B42D 15/042;
B42D 15/027; B42D 15/045; B42D 25/00;
B42D 25/20; B42D 25/30; B42D 25/23;
B42D 25/26; B42D 25/29; G09F 1/00;
G09F 1/06; G09F 1/08; G09F 19/00; G09F
19/02; G09F 19/08

See application file for complete search history.

(56) **References Cited**

U.S. PATENT DOCUMENTS

D259,573 S * 6/1981 Renaud D19/1
5,096,751 A * 3/1992 Duchek B42D 15/042
40/124.08
5,450,680 A * 9/1995 Bromberg G09F 1/08
40/124.08

5,682,999 A * 11/1997 Larson A63H 3/18
206/45.28
7,627,967 B1 * 12/2009 Torvik G09F 5/00
206/45.25
D662,543 S * 6/2012 Dennis D19/1
9,245,461 B1 * 1/2016 Shlonsky B42D 15/022
9,266,383 B2 * 2/2016 Patrou B44C 5/00

* cited by examiner

Primary Examiner — Abraham Bahta

(74) *Attorney, Agent, or Firm* — Christine Flanagan

(57) **CLAIM**

The ornamental design for a pop-up greeting card with coin,
as shown and described.

DESCRIPTION

FIG. 1 is a perspective view of the pop-up greeting card with
coin in an open position showing our new design;

FIG. 2 is a front view thereof;

FIG. 3 is a rear view thereof;

FIG. 4 is a top view thereof;

FIG. 5 is a bottom view thereof;

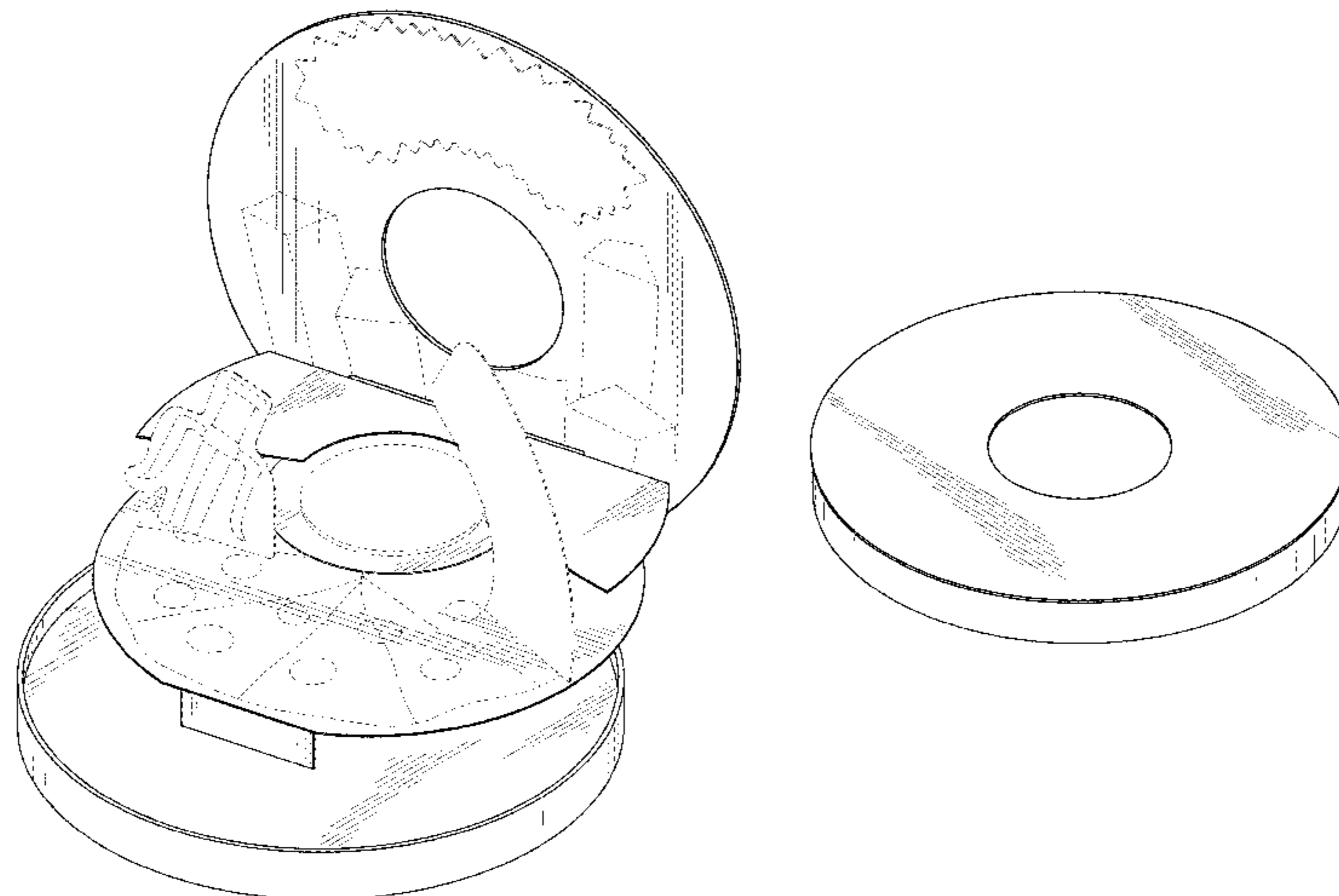
FIG. 6 is a left side view thereof;

FIG. 7 is right side view thereof; and,

FIG. 8 is a perspective view of the pop-up greeting card with
coin in a closed position.

The broken line showing of portions of the pop-up greeting
card with coin is included for the purpose of illustrating
environmental structure and forms no part of the claimed
design.

1 Claim, 5 Drawing Sheets



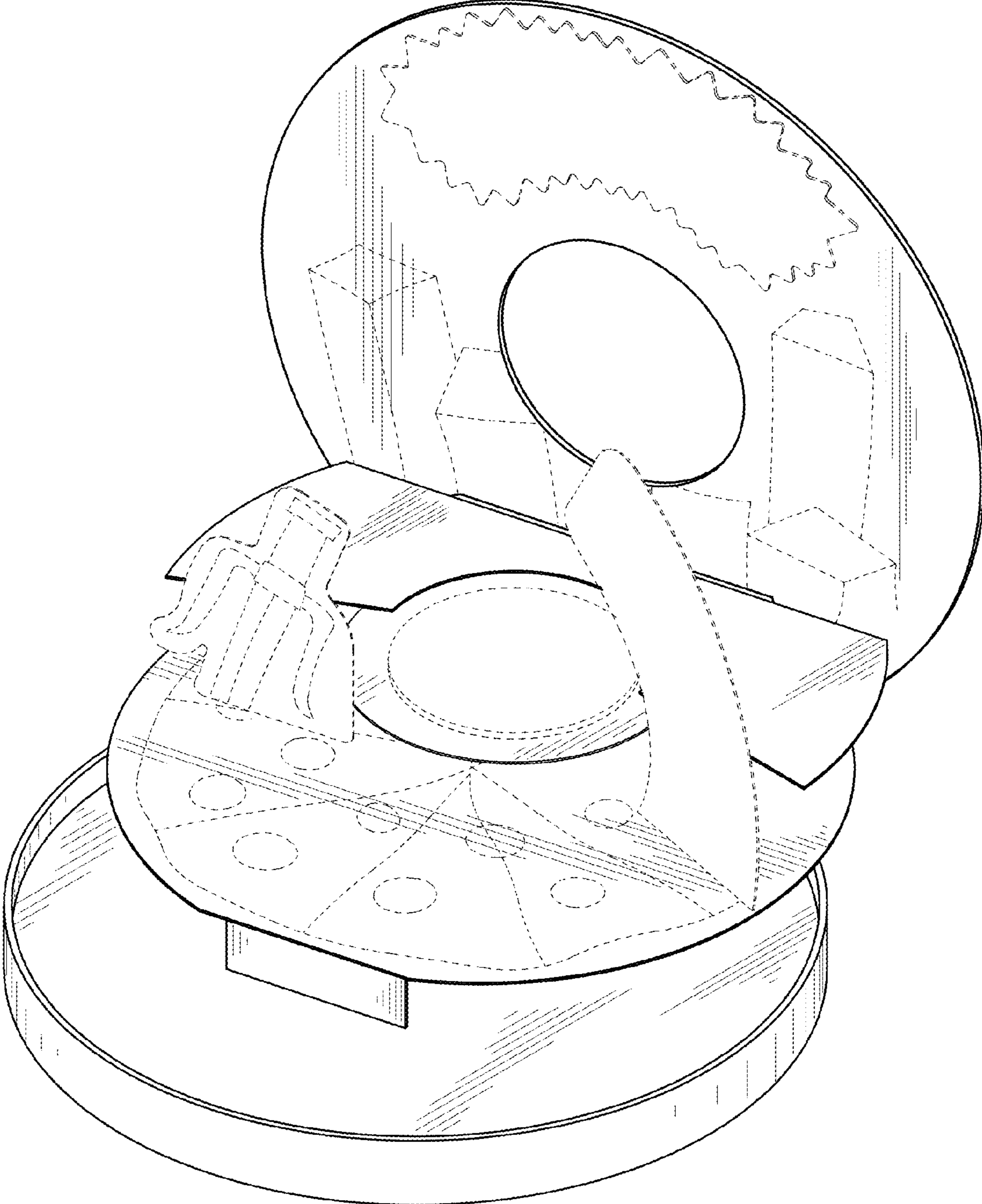


Fig. 1

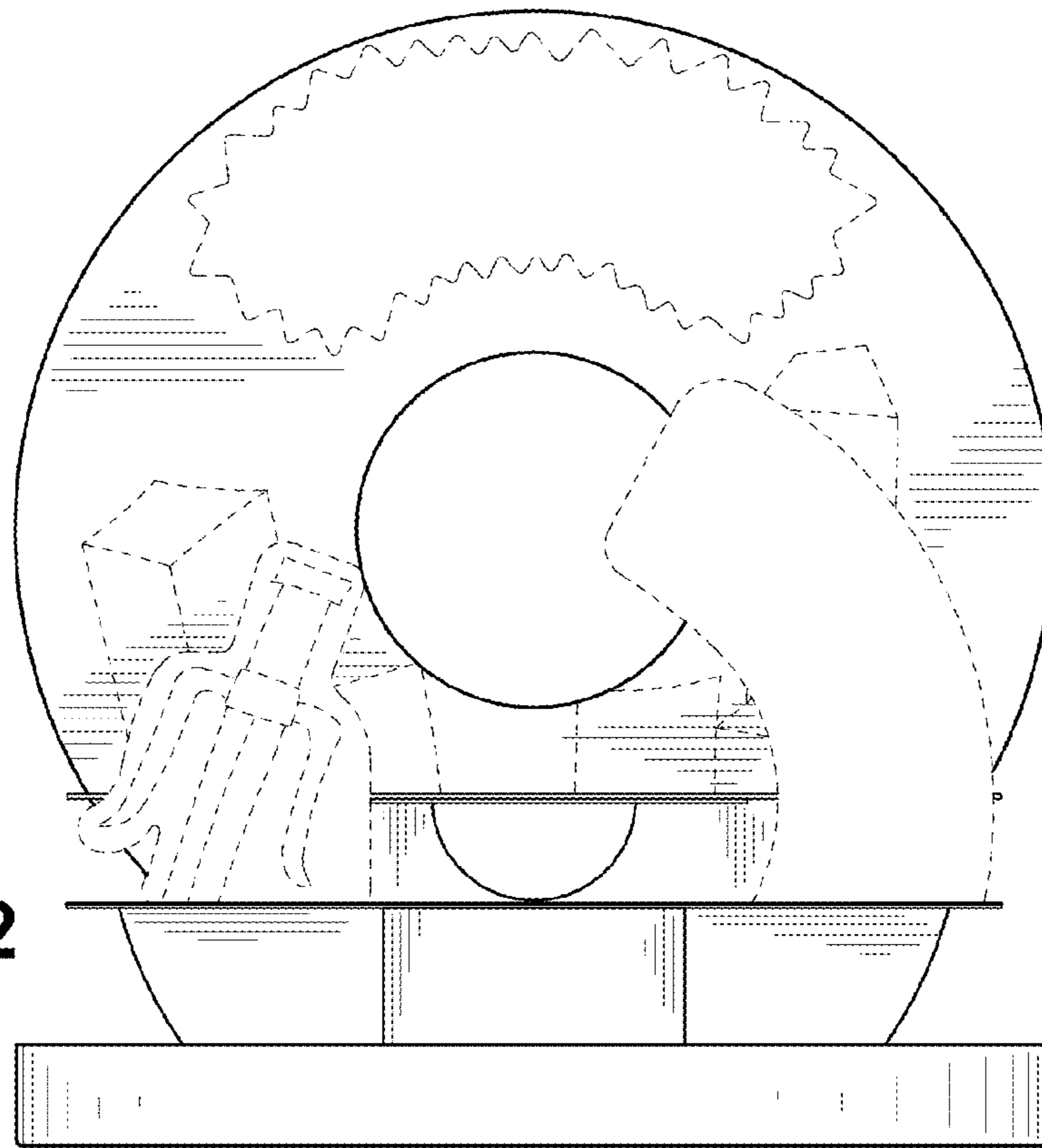


Fig. 2

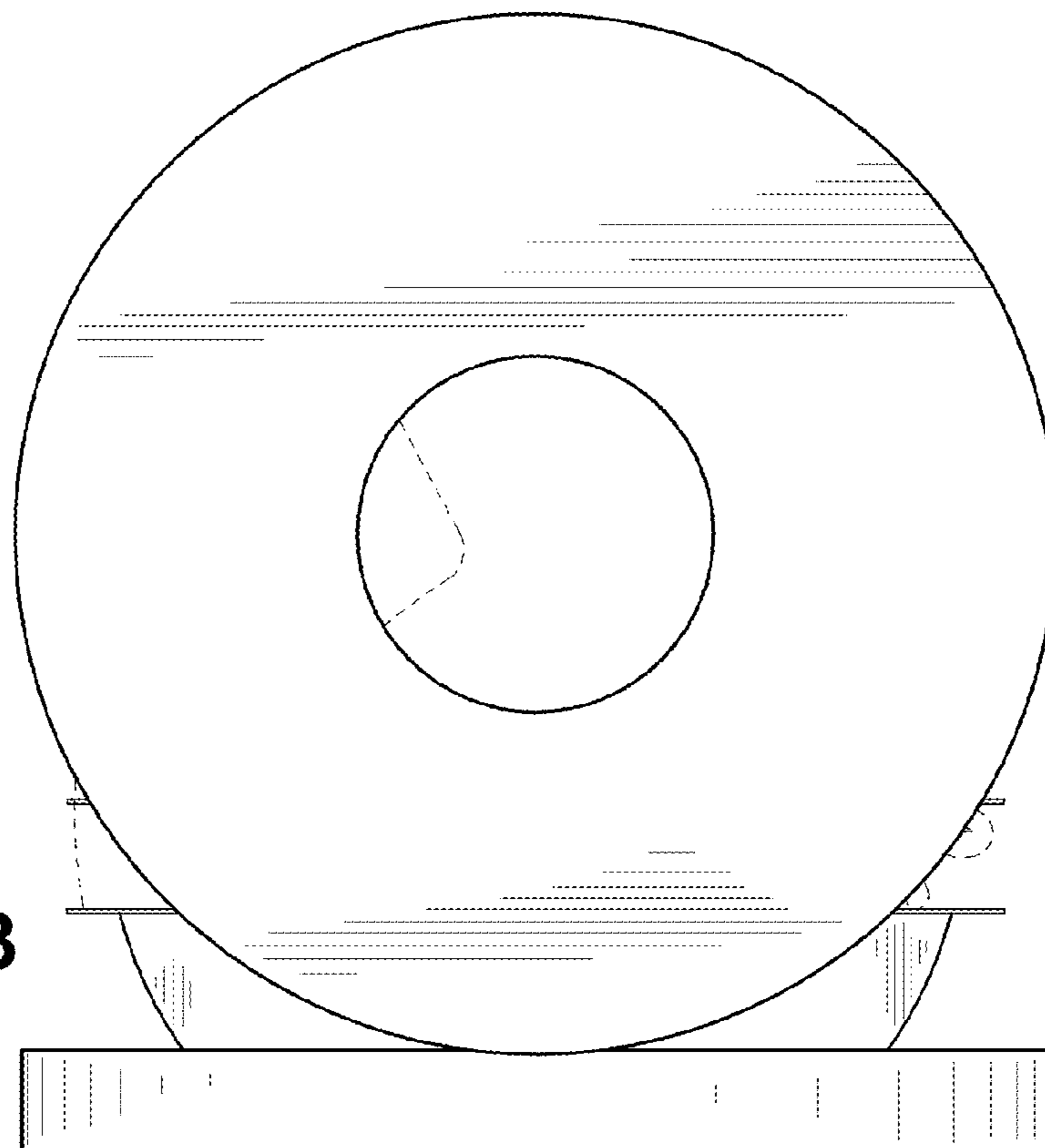


Fig. 3

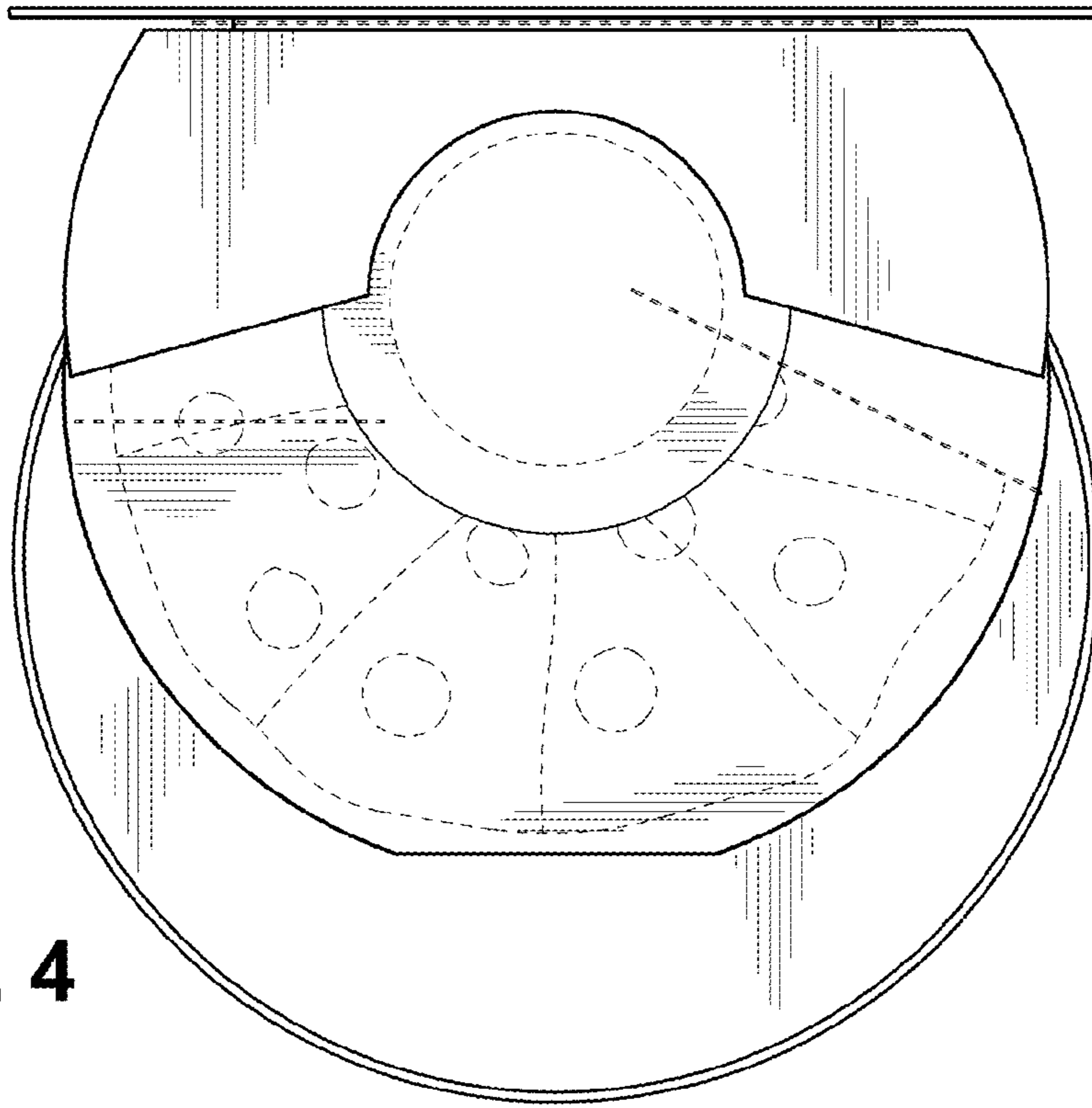


Fig. 4

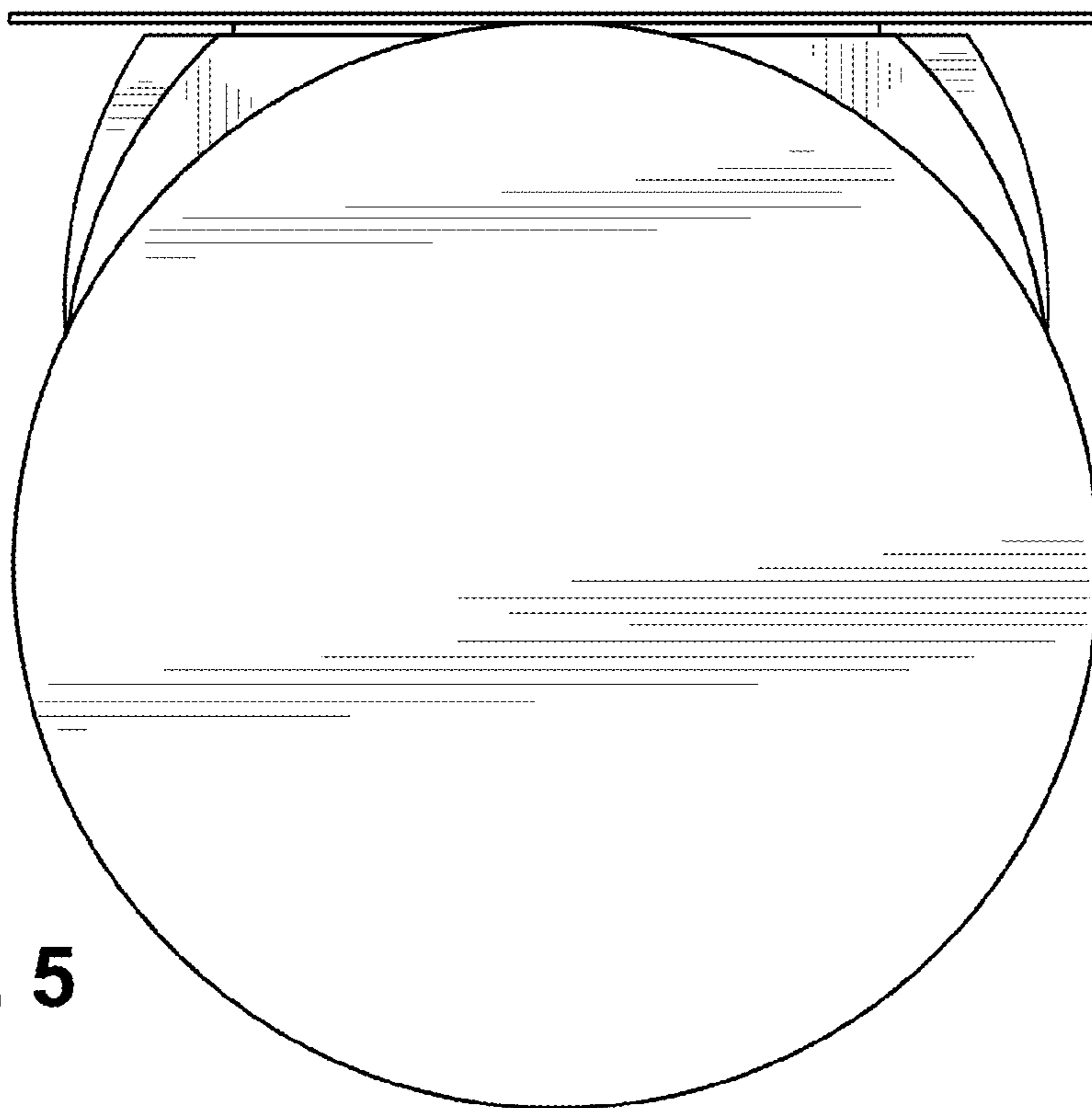


Fig. 5

Fig. 6

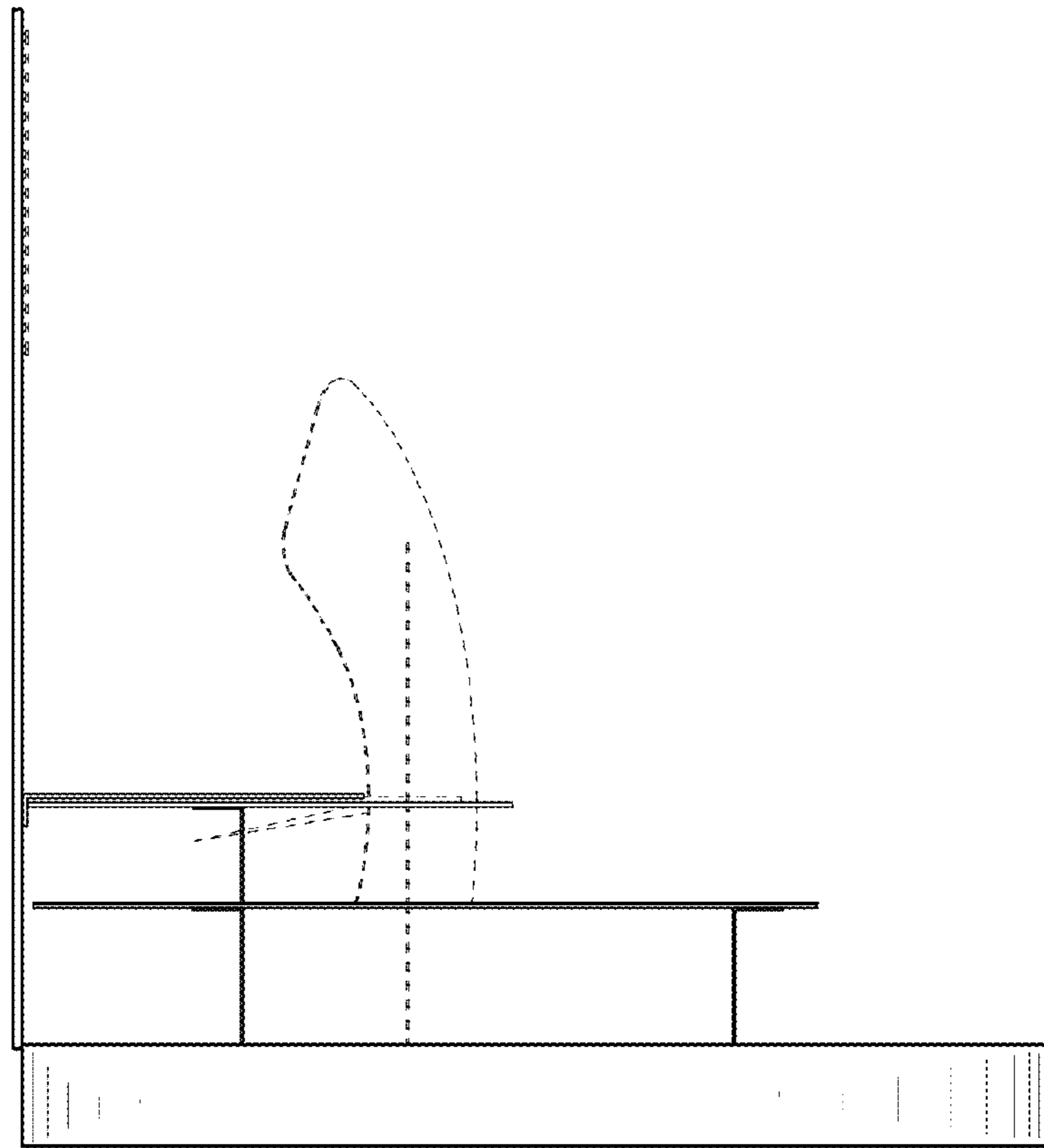
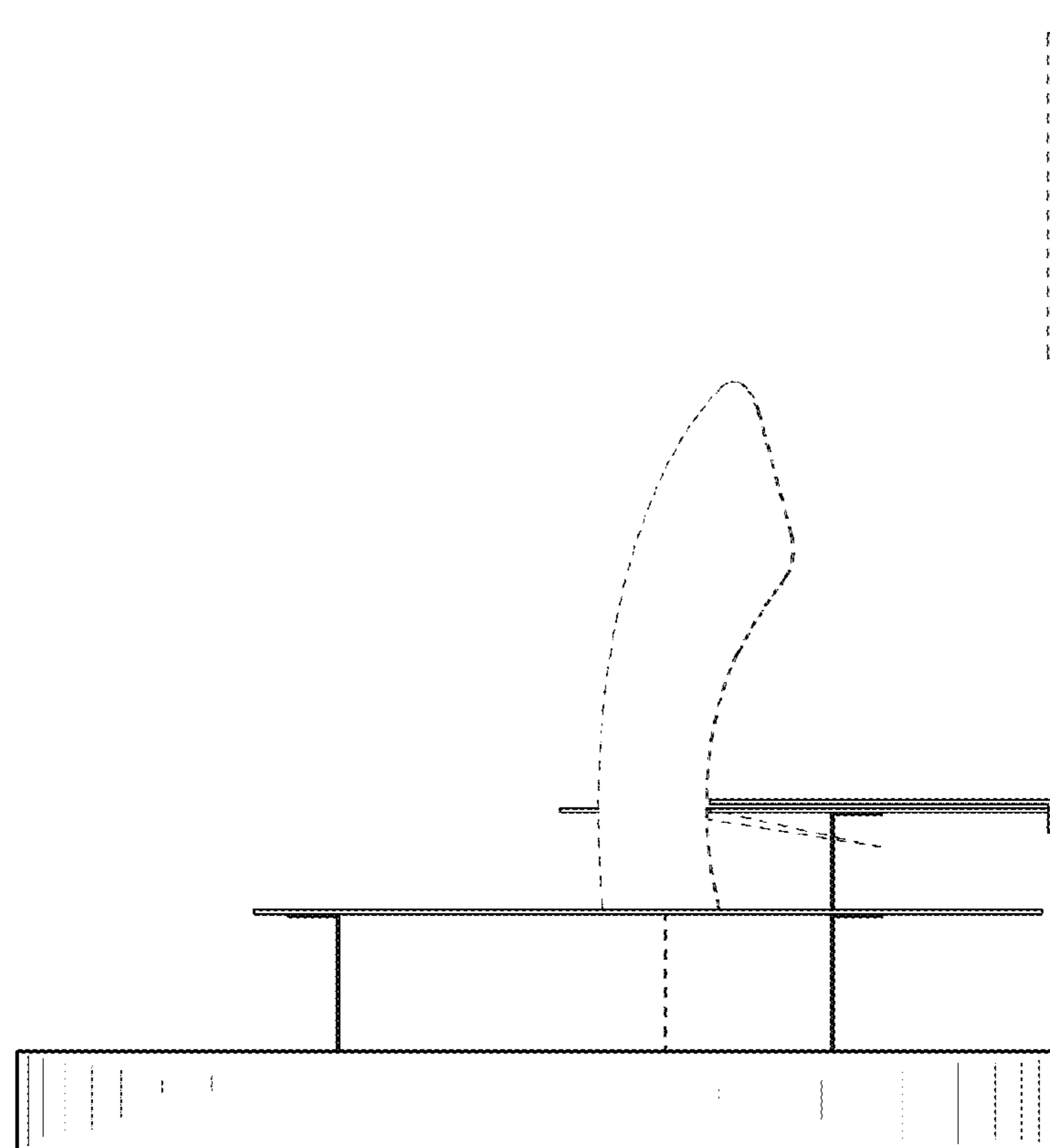


Fig. 7



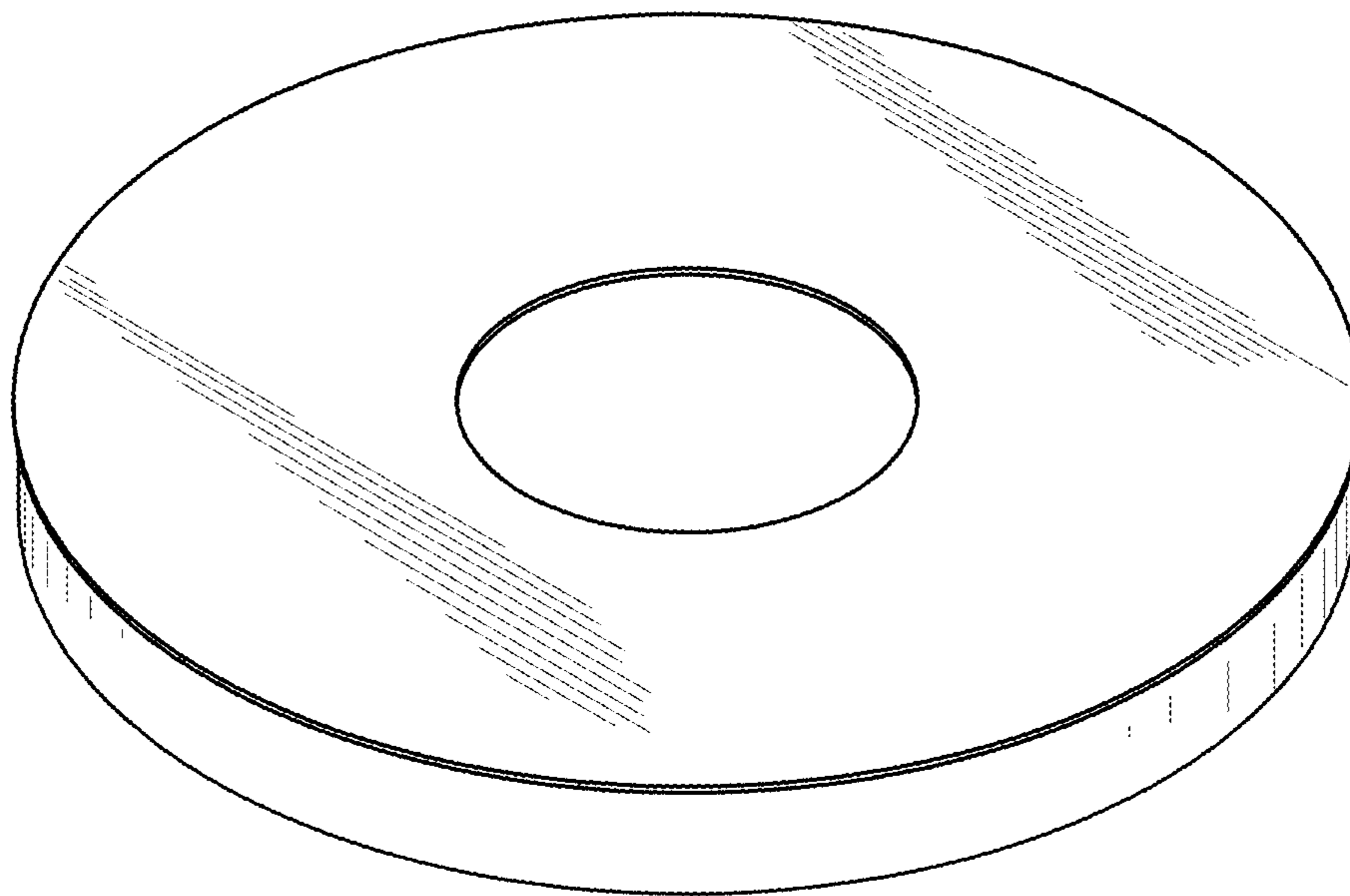


Fig. 8