

US00D765775S

(12) **United States Design Patent** (10) **Patent No.:** **US D765,775 S**
Livingston (45) **Date of Patent:** **** Sep. 6, 2016**

(54) **PRINTING APPARATUS**
(71) Applicant: **Livingston Systems, LLC**, Northglenn, CO (US)

(72) Inventor: **Darren Livingston**, Northglenn, CO (US)

(73) Assignee: **Livingston Systems, LLC**, Northglenn, CO (US)

(**) Term: **15 Years**

(21) Appl. No.: **29/530,105**

(22) Filed: **Jun. 12, 2015**

(51) **LOC (10) Cl.** **18-02**

(52) **U.S. Cl.**
USPC **D18/56**

(58) **Field of Classification Search**
USPC D6/315, 328; D8/349, 499; D18/4.5, D18/4.6, 14, 19, 36-42, 50, 54-56, 99; D19/34
CPC B41F 15/00; B41F 15/04; B41F 15/10; B41F 15/16; B41F 15/18; B41F 17/30; B41J 11/00; B41J 25/30; B42F 1/00; B42D 9/00

See application file for complete search history.

(56) **References Cited**

U.S. PATENT DOCUMENTS

D246,083 S * 10/1977 Auersperg D6/315
4,908,912 A * 3/1990 Grant B42D 9/00
5,107,758 A * 4/1992 Withers B41F 15/18
6,651,554 B1 11/2003 Williams 101/126

7,413,301 B2 8/2008 Niimi
D648,784 S * 11/2011 Horito D18/56
D702,529 S * 4/2014 Diez Herrera D8/349
2004/0000240 A1 1/2004 Oleson
2015/0360460 A1* 12/2015 Livingston B41F 15/18
101/126

OTHER PUBLICATIONS

Tag Along, dated Oct. 18, 2014, [online], [site visited May 5, 2016]. Available from Internet, <URL: <https://www.youtube.com/watch?v=3KWYB9gmLA>>.*

* cited by examiner

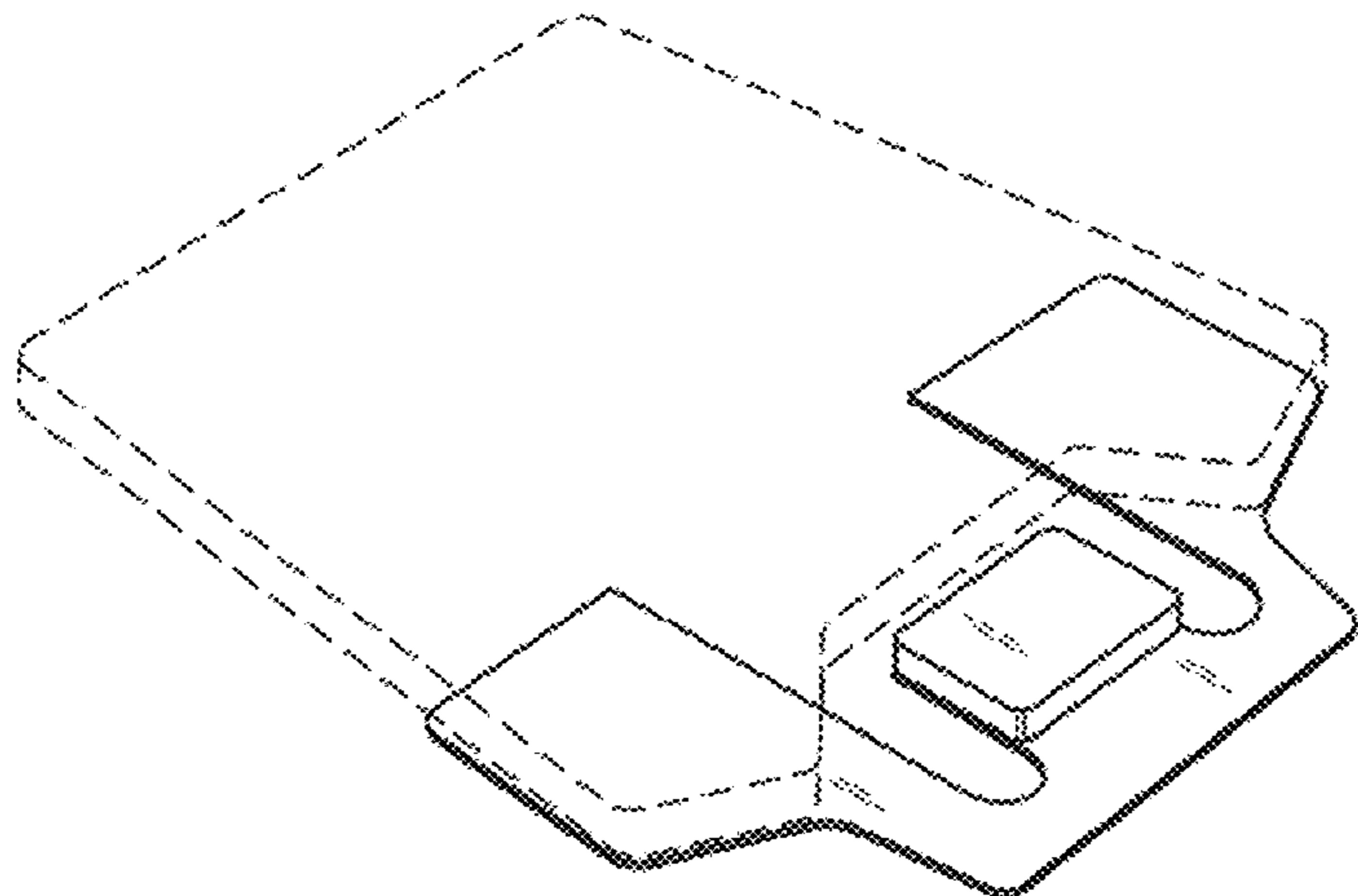
Primary Examiner — Daniel Bui
Assistant Examiner — Shawn T Gingrich
(74) *Attorney, Agent, or Firm* — Trenner Law Firm, LLC; Mark D. Trenner

(57) **CLAIM**
The ornamental design for a printing apparatus, as shown and described.

DESCRIPTION

FIG. 1 is a perspective view of a printing apparatus showing my new design, in use condition;
FIG. 2 is a perspective view thereof;
FIG. 3 is a top view thereof;
FIG. 4 is a right-side view thereof;
FIG. 5 is a left-side view thereof;
FIG. 6 is a back view thereof;
FIG. 7 is a front view thereof;
FIG. 8 is a bottom view thereof; and,
FIG. 9 is another perspective view thereof, in use condition. The broken line in the figure drawings is included to show unclaimed environment only and forms no part of the claimed design.

1 Claim, 4 Drawing Sheets



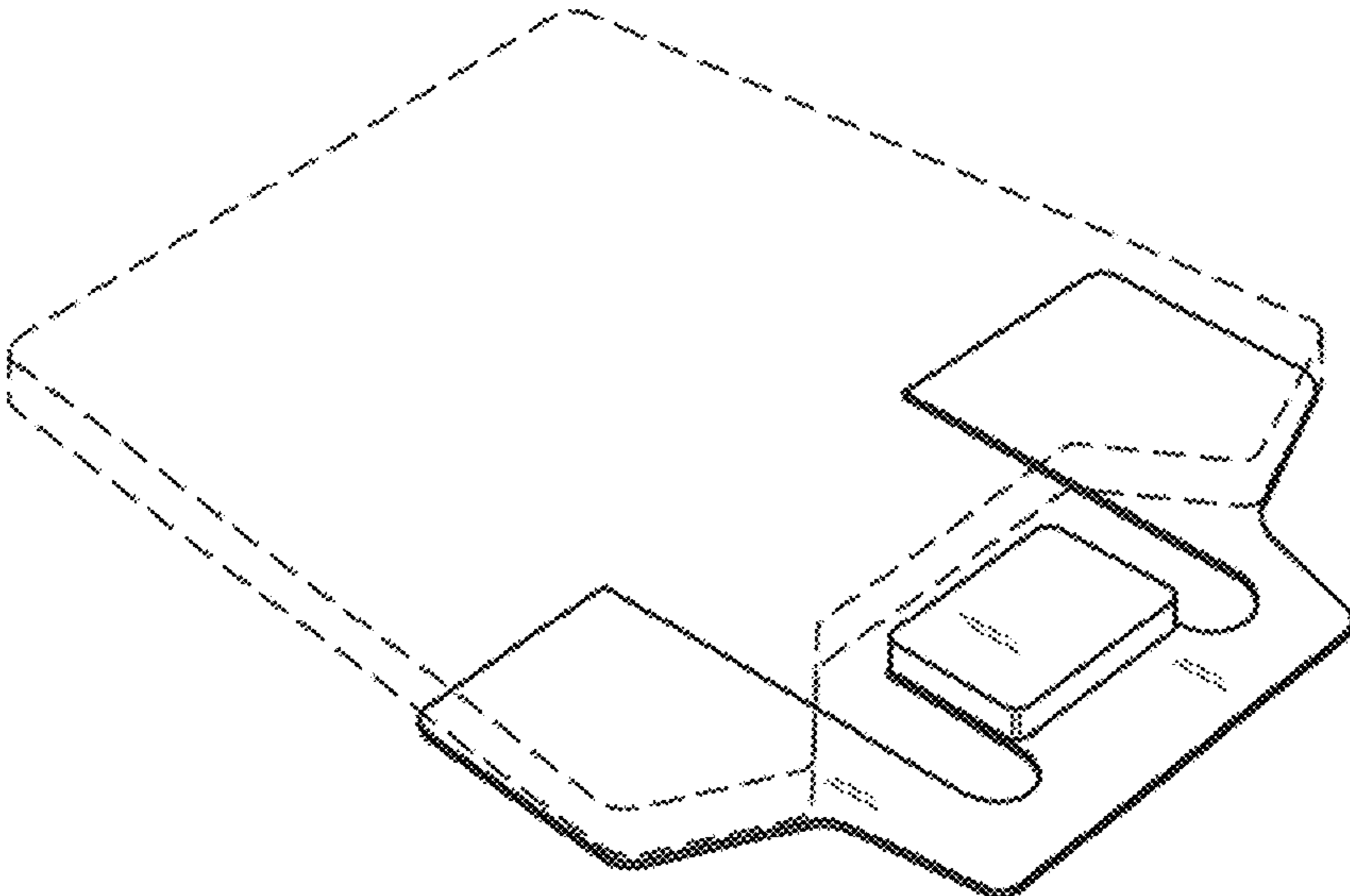


FIG. 1

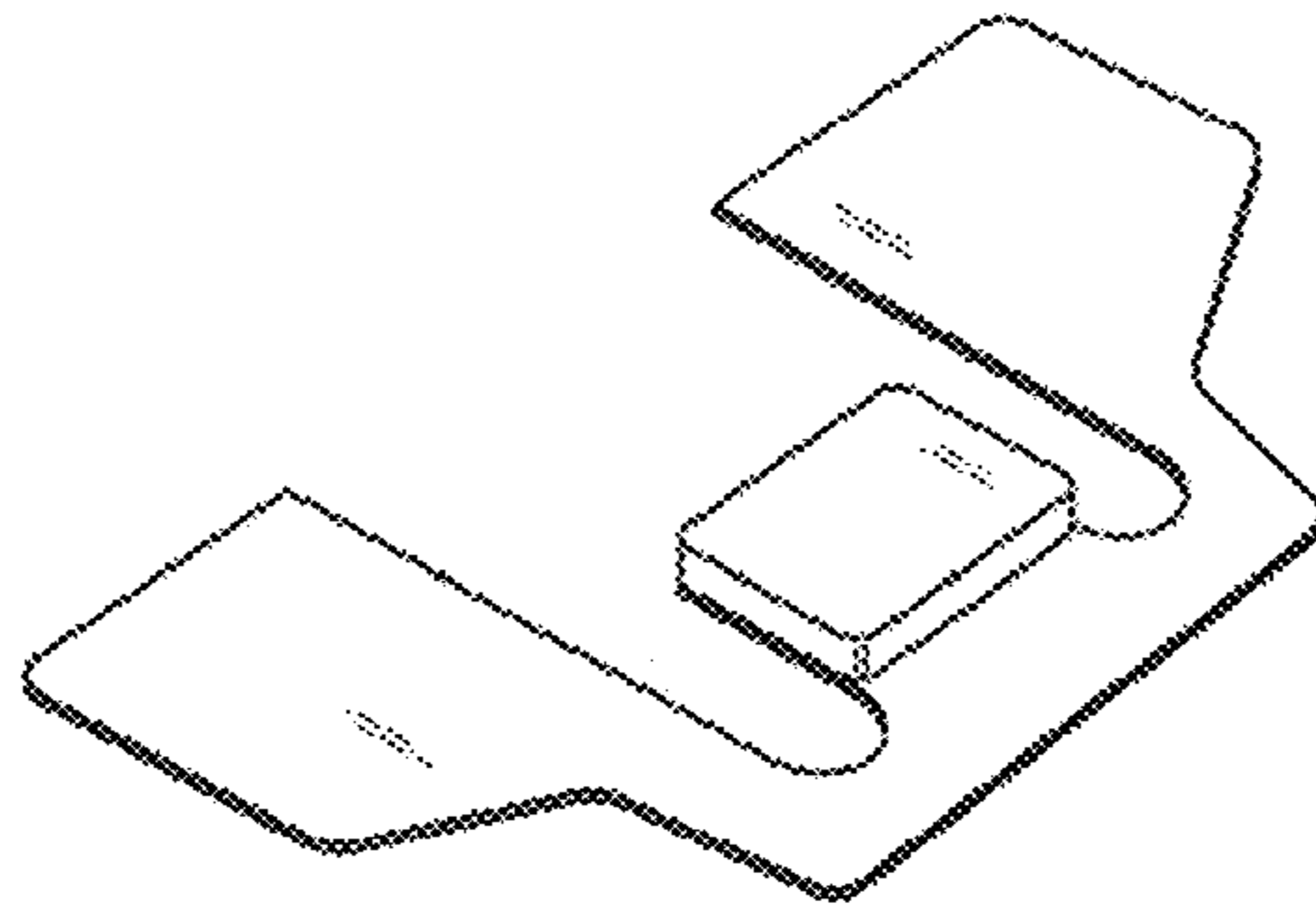


FIG. 2



FIG. 4

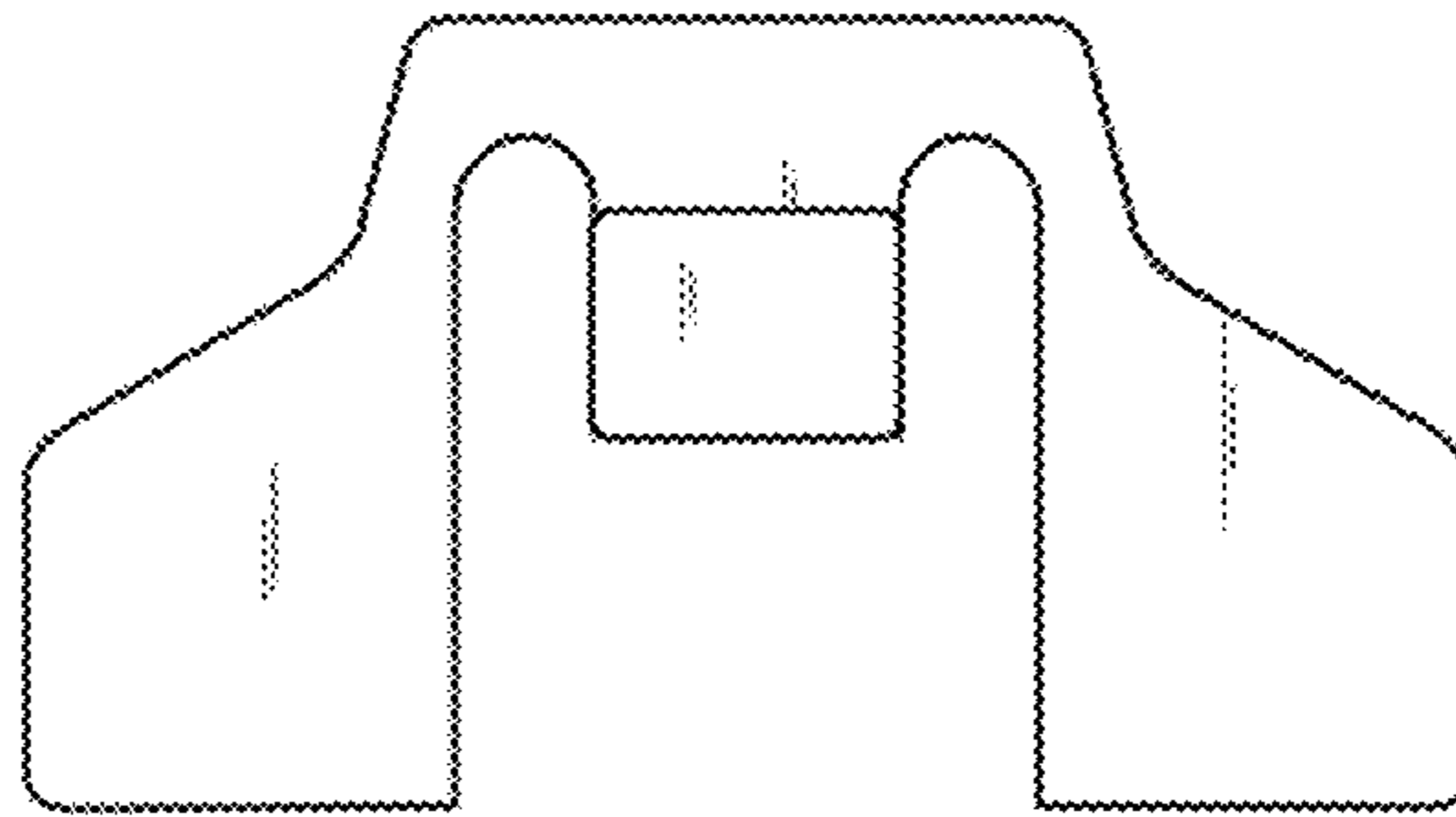


FIG. 3



FIG. 5



FIG. 6



FIG. 7

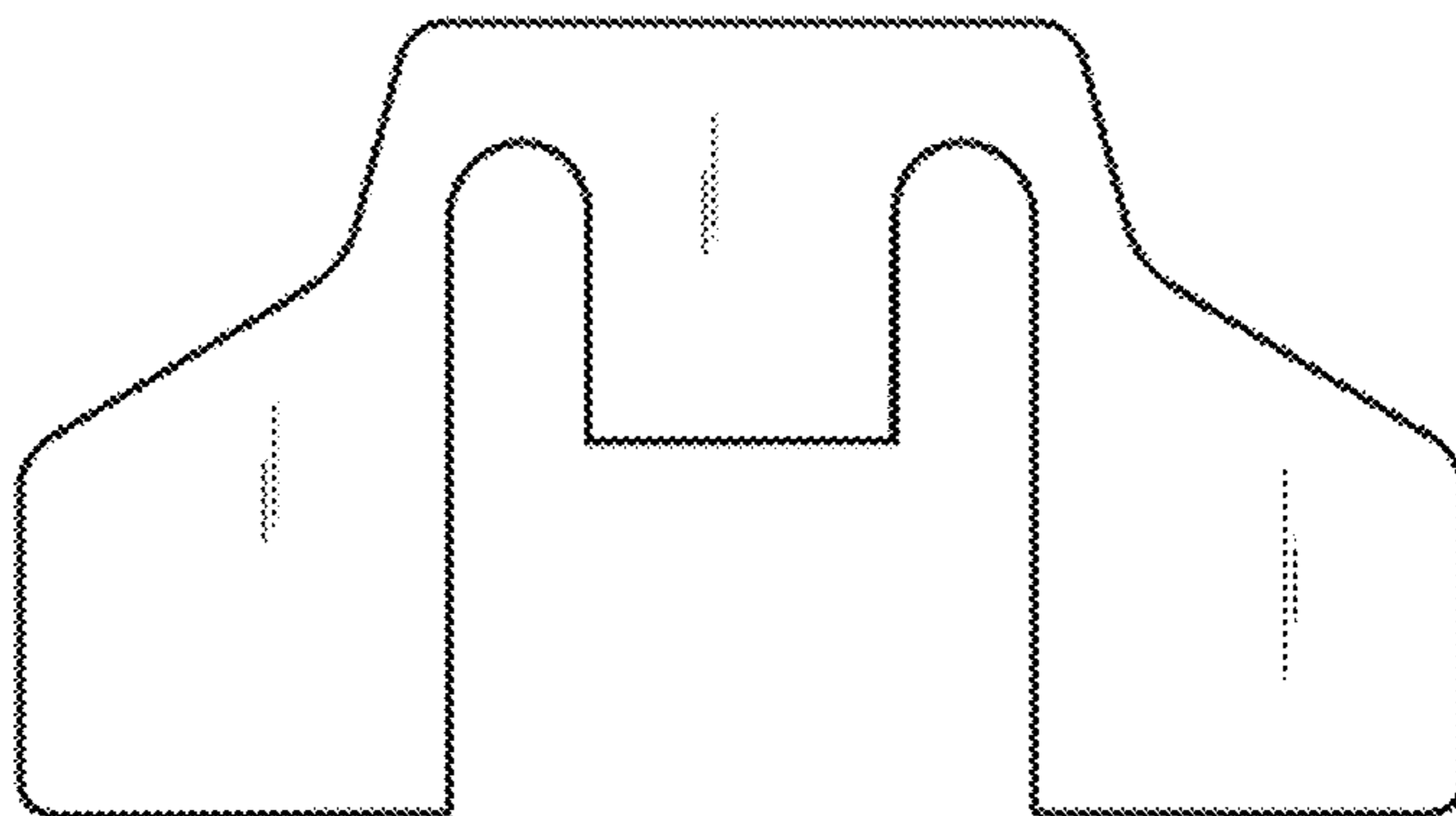


FIG. 8

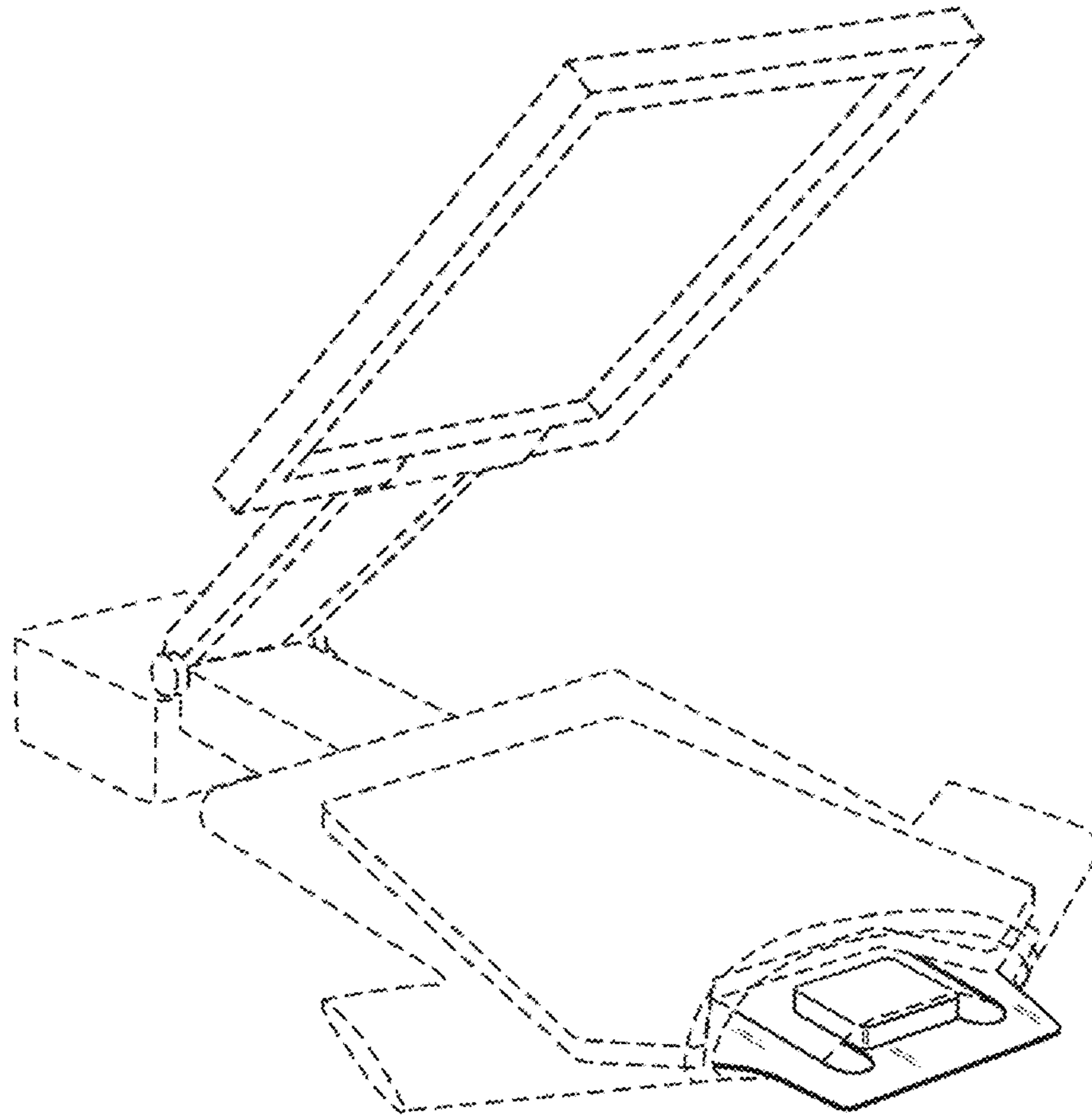


FIG. 9