



US00D765774S

(12) **United States Design Patent**
Tanaka

(10) **Patent No.:** **US D765,774 S**
(45) **Date of Patent:** **** Sep. 6, 2016**

(54) **TAPE CARTRIDGE FOR TAPE PRINTING MACHINE**

(71) Applicant: **BROTHER INDUSTRIES, LTD.**,
Nagoya-shi, Aichi-ken (JP)

(72) Inventor: **Mitsugi Tanaka**, Nagoya (JP)

(73) Assignee: **BROTHER INDUSTRIES, LTD.**,
Nagoya (JP)

(**) Term: **14 Years**

(21) Appl. No.: **29/490,201**

(22) Filed: **May 7, 2014**

(30) **Foreign Application Priority Data**

Nov. 8, 2013 (JP) 2013-26122

(51) **LOC (10) Cl.** **18-02**

(52) **U.S. Cl.**
USPC **D18/56**

(58) **Field of Classification Search**

USPC D18/12, 40, 43-44, 56; 347/214;
360/132, 134; 400/194-196, 207-208,
400/208.1, 235.1, 236, 242, 247, 331;
D14/484

CPC B41J 17/28; B41J 17/30; B41J 17/32;
B41J 21/00; B41J 35/28; B41J 11/44; B41J
31/00; B41J 32/00; B41J 33/14; B41J 35/00;
B41J 35/22

See application file for complete search history.

(56) **References Cited**

U.S. PATENT DOCUMENTS

D270,914 S * 10/1983 Nader D18/44
D333,481 S * 2/1993 Laurent D18/12

5,588,756 A * 12/1996 Hamisch et al. 400/208
D378,759 S * 4/1997 Hattori et al. D18/56
D475,717 S * 6/2003 Nonomura D14/484
D483,772 S * 12/2003 Nonomura D14/484
D525,297 S * 7/2006 Okuchi et al. D18/56
D593,595 S * 6/2009 Kubota et al. D18/12
D726,815 S * 4/2015 Tanaka D18/56
9,067,441 B2 * 6/2015 Tanaka B41J 11/22
D733,796 S * 7/2015 Yamazaki D18/56
9,193,557 B2 * 11/2015 Tanaka B65C 9/00
2013/0292061 A1 * 11/2013 Tanaka B65H 35/002
156/538

* cited by examiner

Primary Examiner — Cathy Anne MacCormac

(74) *Attorney, Agent, or Firm* — Oliff PLC

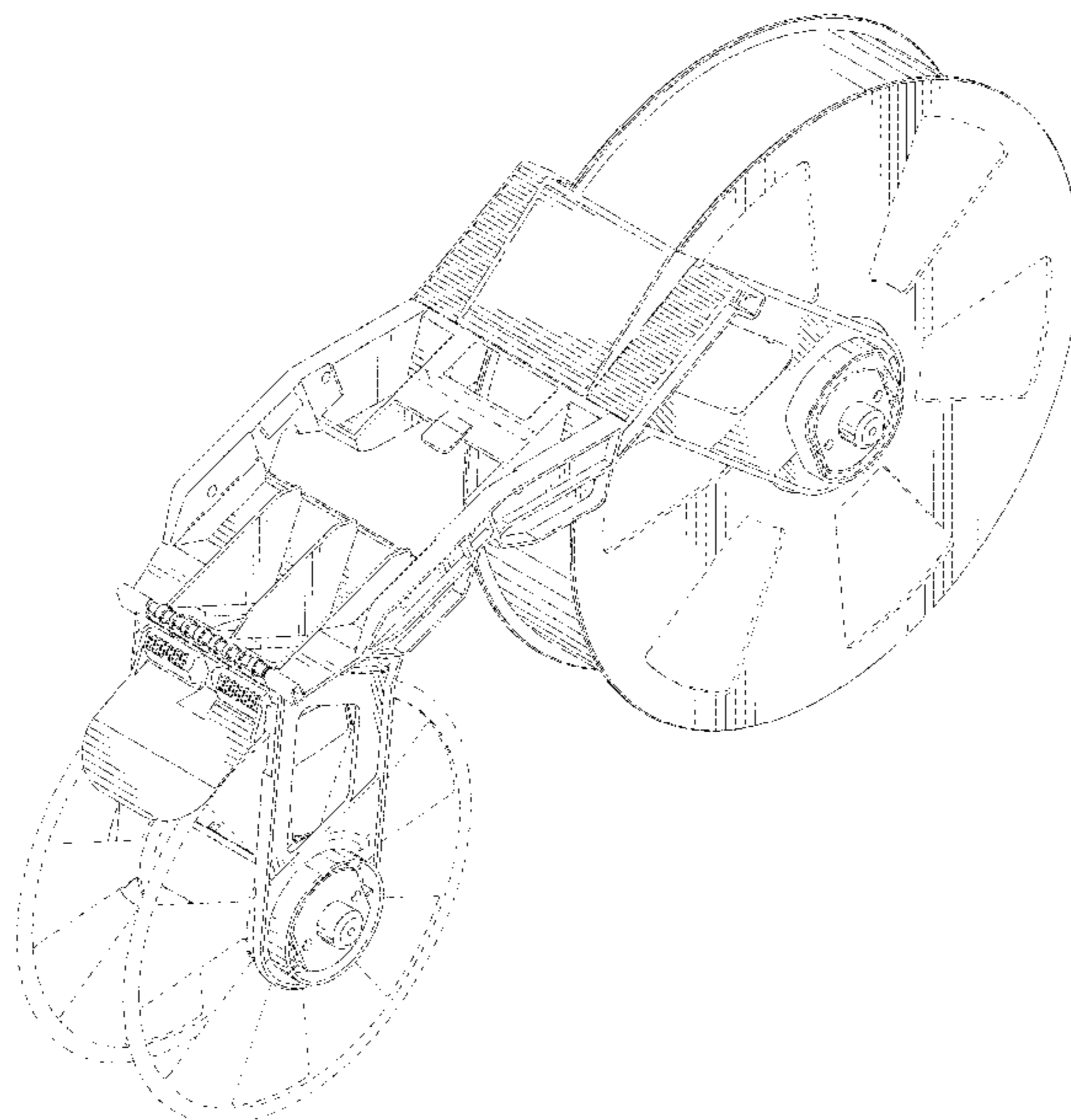
(57) **CLAIM**

The ornamental design for a tape cartridge for tape printing machine, as shown and described.

DESCRIPTION

FIG. 1 is a front perspective view of a tape cartridge for tape printing machine;
FIG. 2 is a front view thereof;
FIG. 3 is a top view thereof;
FIG. 4 is a right-side view thereof;
FIG. 5 is a left-side view thereof;
FIG. 6 is a rear view thereof;
FIG. 7 is a bottom view thereof; and,
FIG. 8 is a rear perspective view thereof.
The broken lines depict environmental subject matter only and form no part of the claimed design.

1 Claim, 7 Drawing Sheets



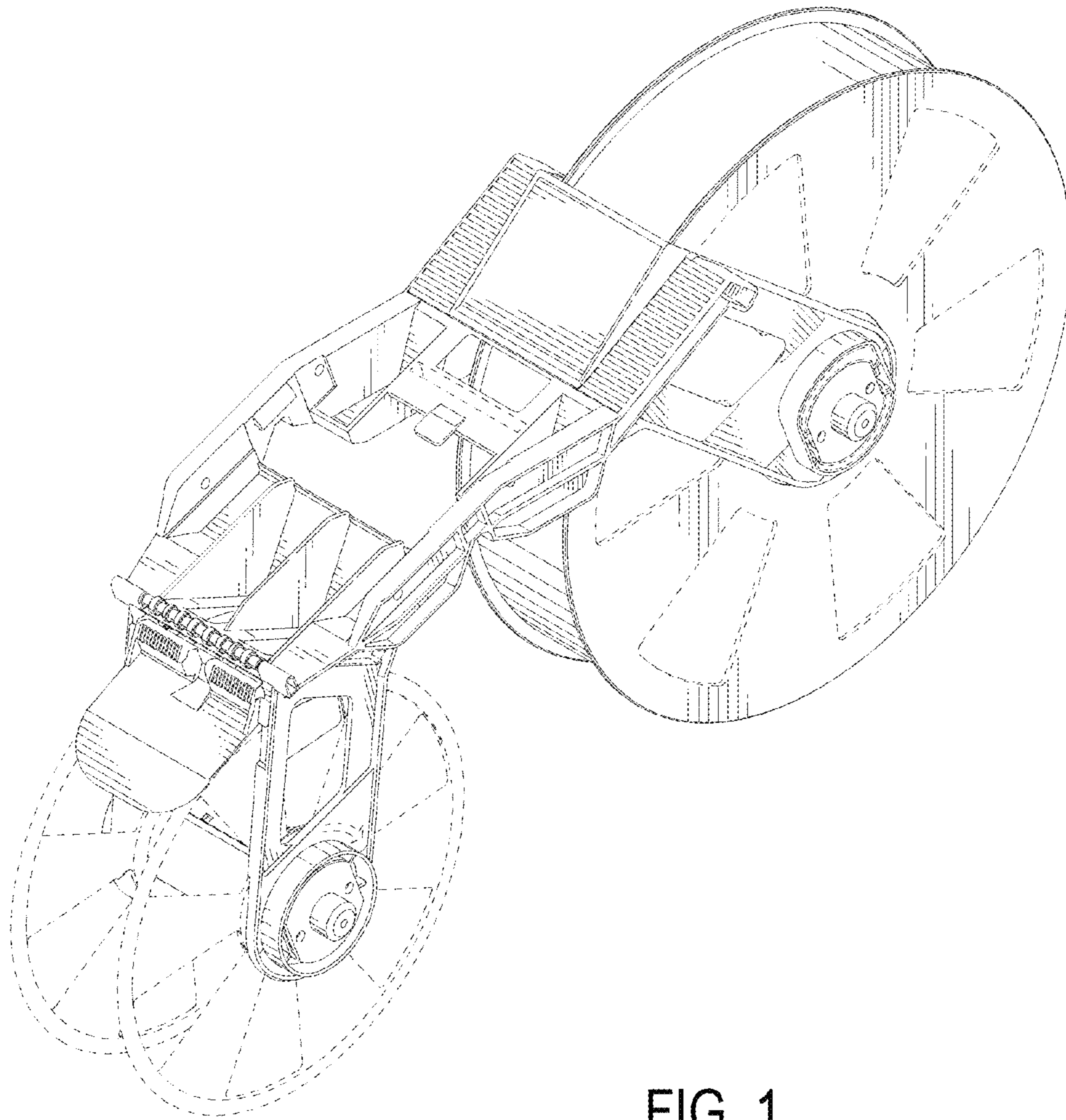


FIG. 1

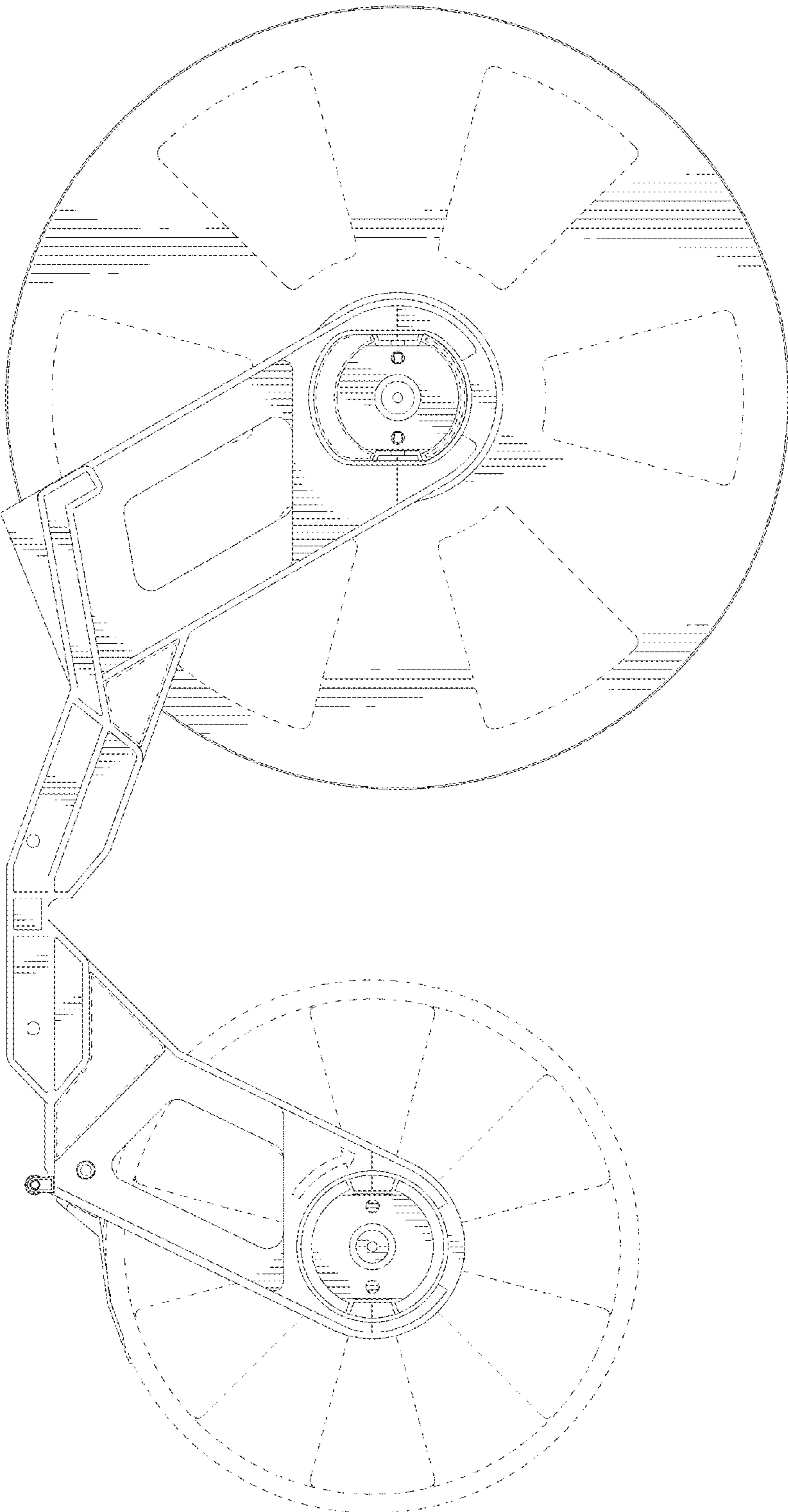


FIG. 2

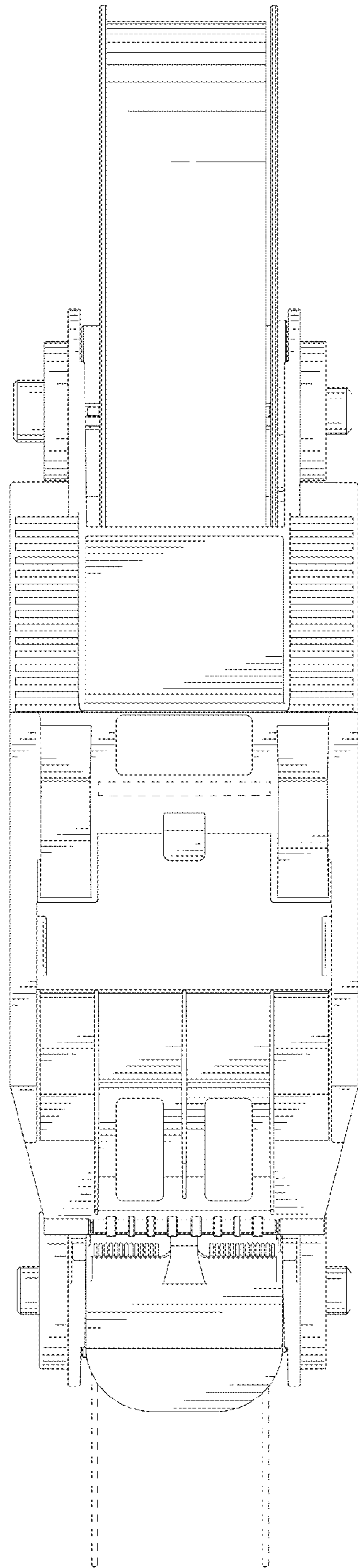


FIG. 3

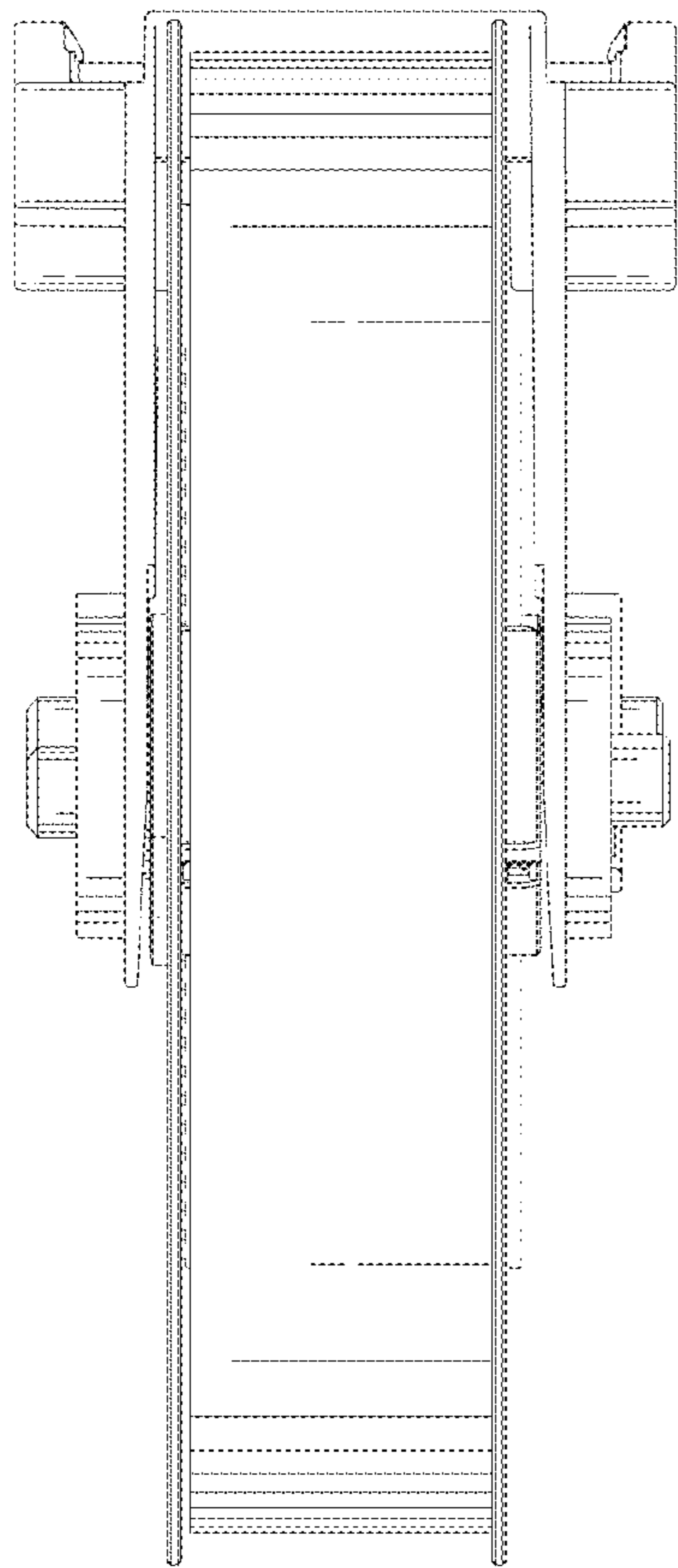


FIG. 4

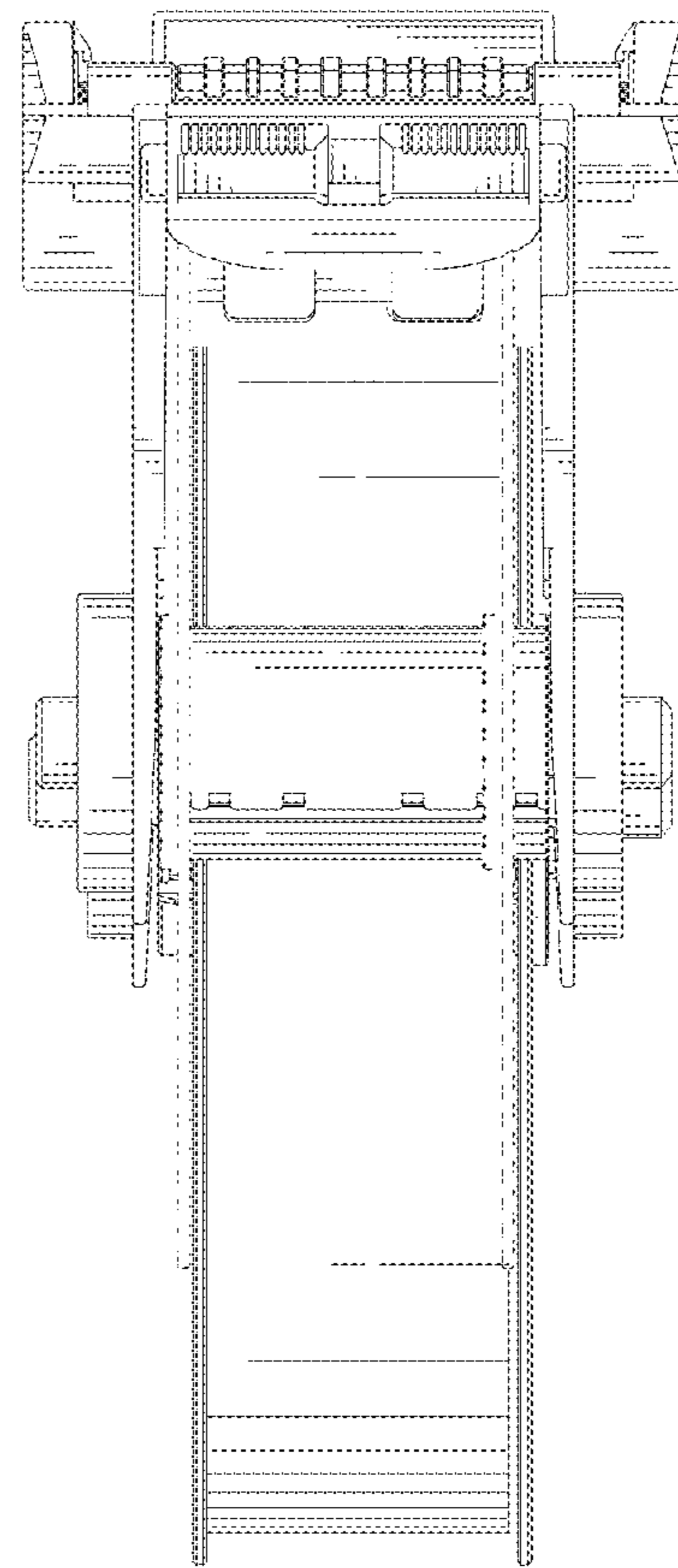


FIG. 5

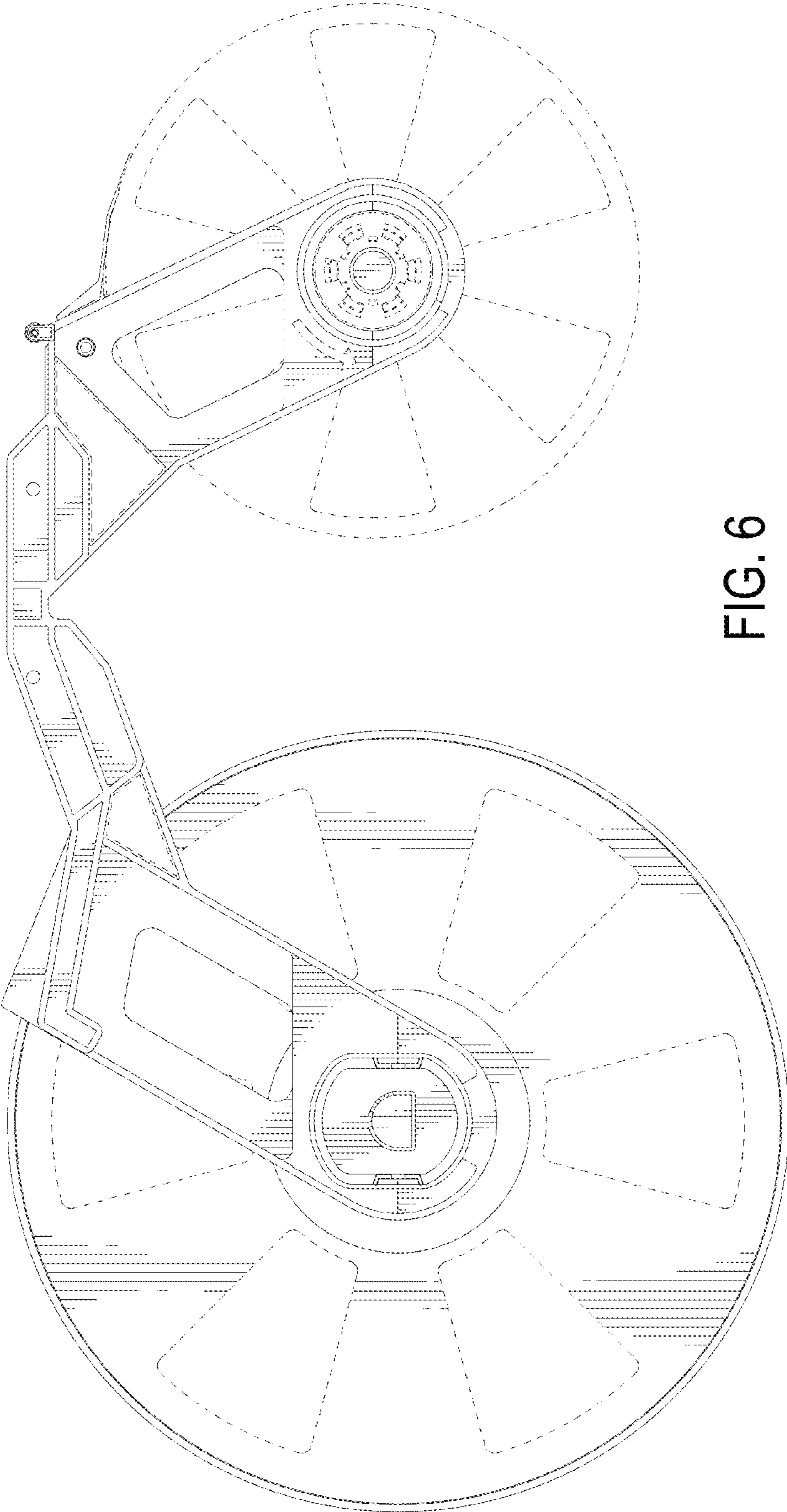


FIG. 6

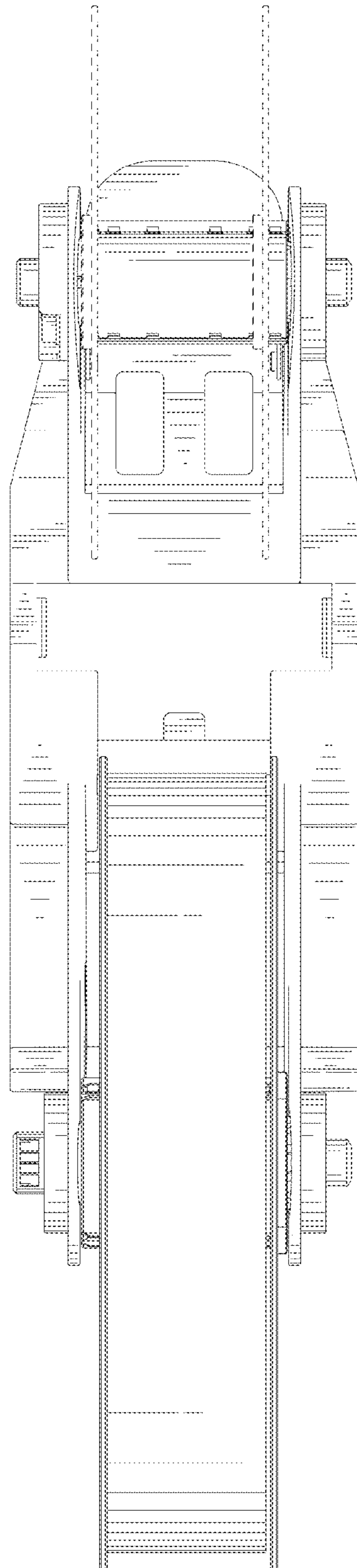


FIG. 7

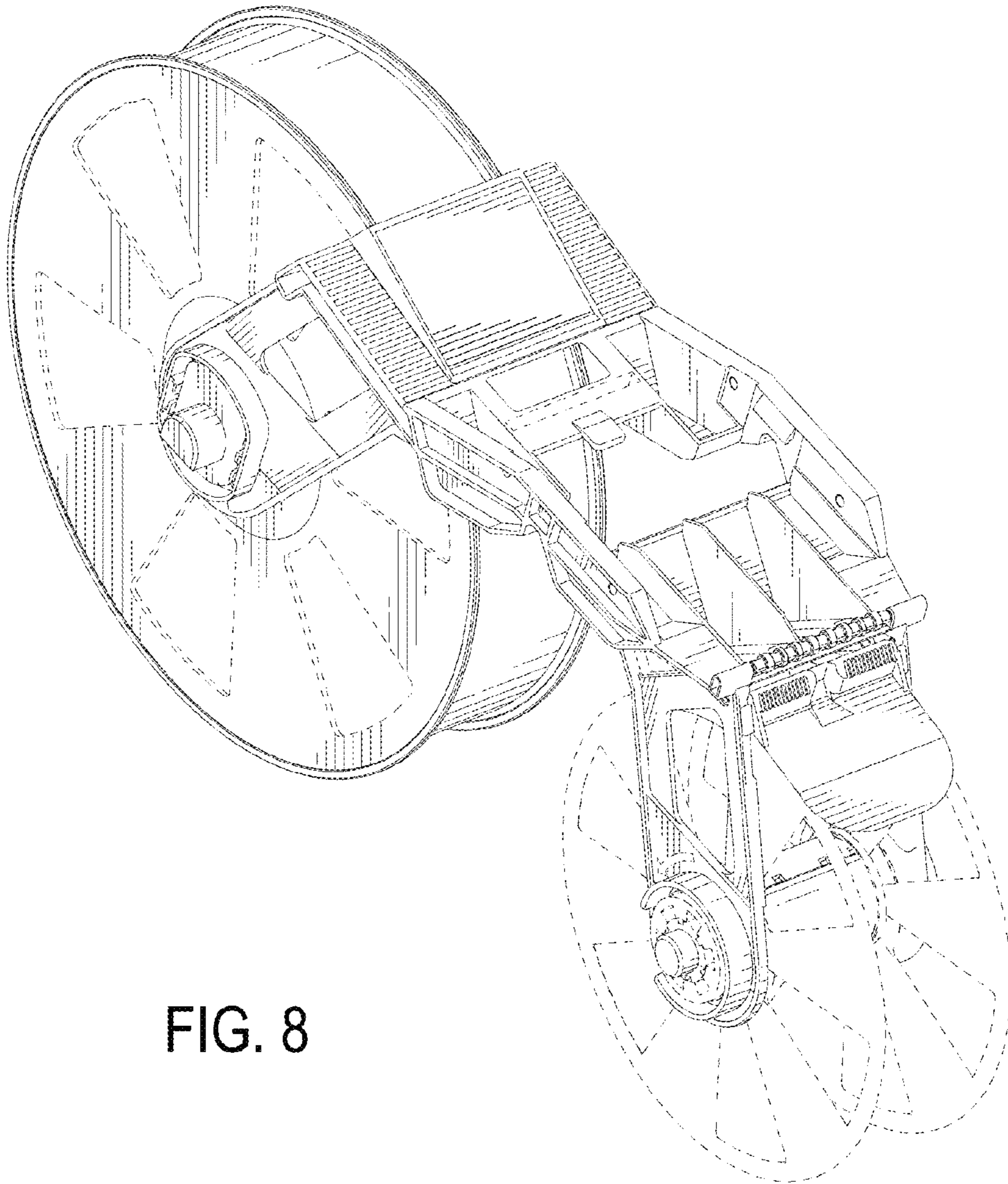


FIG. 8