



US00D765773S

(12) **United States Design Patent** (10) **Patent No.:** **US D765,773 S**
Ozawa et al. (45) **Date of Patent:** **** Sep. 6, 2016**

(54) **PORTABLE PRINTER**

(71) Applicant: **SATO HOLDINGS KABUSHIKI KAISHA**, Tokyo (JP)

(72) Inventors: **Taichi Ozawa**, Tokyo (JP); **Keita Kuramochi**, Tokyo (JP); **Tamotsu Katayama**, Tokyo (JP)

(73) Assignee: **SATO HOLDINGS KABUSHIKI KAISHA**, Tokyo (JP)

(**) Term: **14 Years**

(21) Appl. No.: **29/521,222**

(22) Filed: **Mar. 20, 2015**

(30) **Foreign Application Priority Data**

Sep. 29, 2014 (JP) 2014-021587

(51) **LOC (10) Cl.** **19-02**

(52) **U.S. Cl.**
USPC **D18/55**; D18/14; D18/19

(58) **Field of Classification Search**
USPC D18/55, 14, 50, 58, 19, 54, 36-37; D19/68; D14/314, 332, 348-349, 351, D14/352
CPC B41J 3/4075; B41J 2/32; B41J 11/057; B41J 15/042; B41J 3/36; B41J 29/023; B65C 11/00; B65C 11/02; B65C 11/0205; B65C 11/021; B65C 11/0215; B65C 11/0221; B65C 11/0226; B65C 11/0231; B65C 11/0236; B65C 11/0242; B65C 11/0252; B65C 11/0257; B65C 11/0268; B65C 11/0273; B65C 11/0284; B65C 11/0289; B65C 11/0294; B65C 11/04; B65C 11/046; B65C 11/06; B65C 11/062; B65C 11/064; B65C 11/066; B65C 11/068
See application file for complete search history.

(56) **References Cited**

U.S. PATENT DOCUMENTS

D379,195 S * 5/1997 Stanton D18/50
D391,286 S * 2/1998 Mizusugi D18/54.1
D391,603 S * 3/1998 Ikenaga D18/50
D443,890 S * 6/2001 Sato D18/50

(Continued)

FOREIGN PATENT DOCUMENTS

WO WO 2015156310 A1 * 10/2015 B41J 2/32
WO WO 2015166773 A1 * 11/2015 B41J 3/36
WO WO 2015170543 A1 * 11/2015 B41J 3/36

Primary Examiner — Bridget L Eland

Assistant Examiner — Lauren McVey

(74) *Attorney, Agent, or Firm* — Andrew F. Young, Esq.;
Lackebach Siegel, LLP

(57) **CLAIM**

The ornamental design for a portable printer, as shown and described.

DESCRIPTION

FIG. 1 is a front perspective view of a portable printer showing our new design;

FIG. 2 is a rear perspective view thereof;

FIG. 3 is a front elevation view thereof;

FIG. 4 is a rear elevation view thereof;

FIG. 5 is a top plan view thereof;

FIG. 6 is a bottom plan view thereof;

FIG. 7 is a right side elevation view thereof;

FIG. 8 is a left side elevation view thereof;

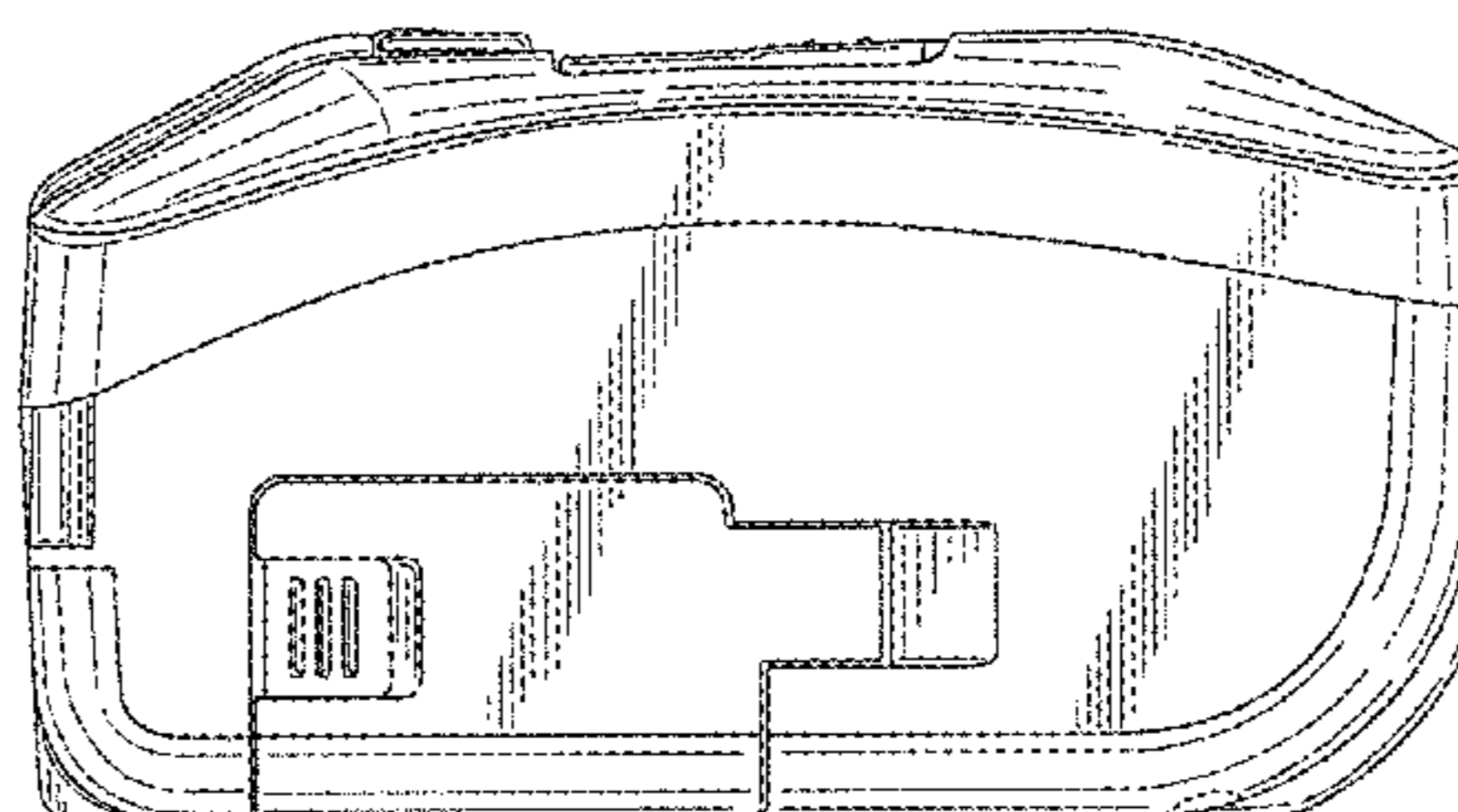
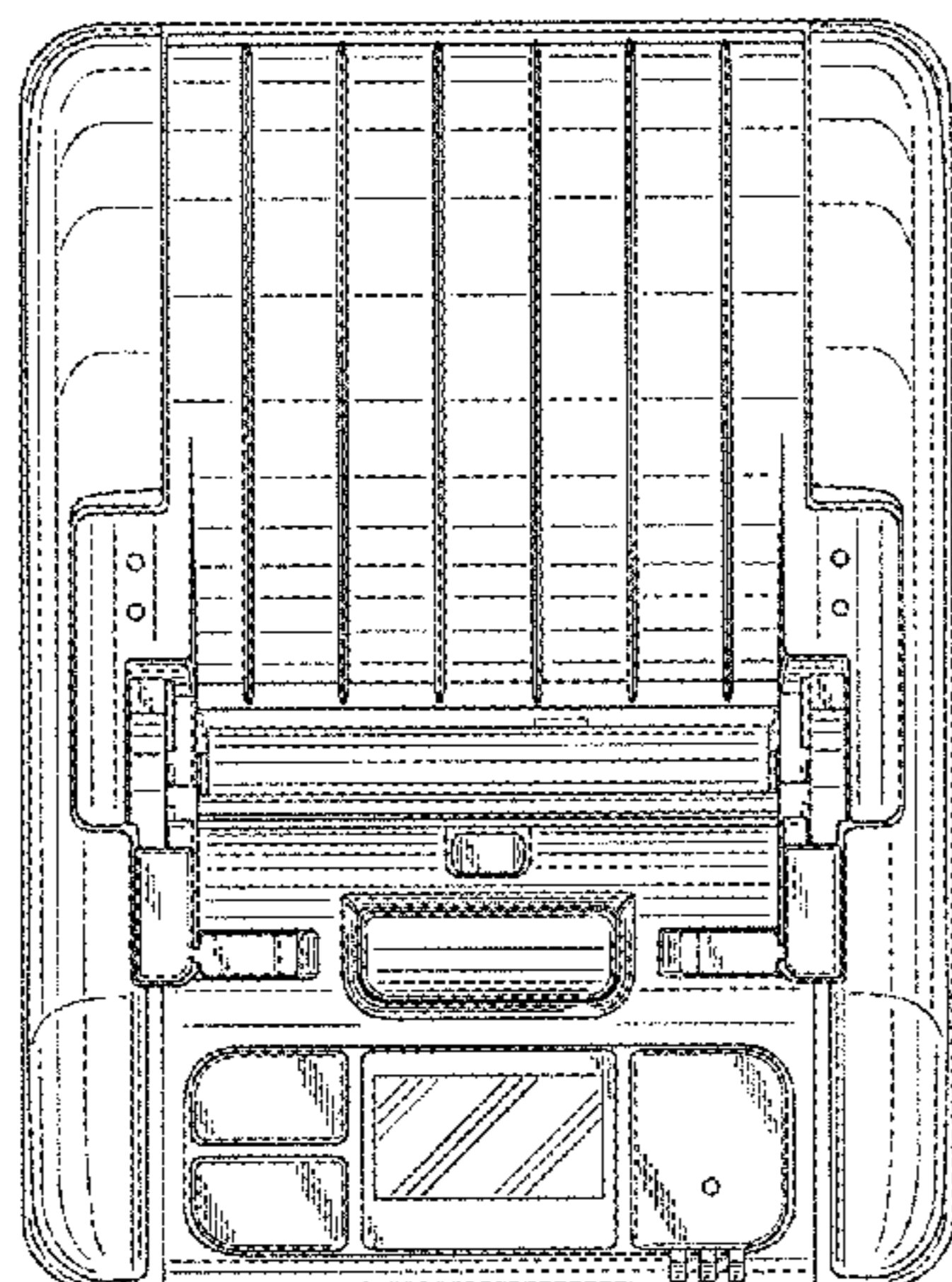
FIG. 9 is a front perspective view of the portable printer shown in FIG. 1, with the peeling unit in a state of use;

FIG. 10 is a rear perspective view thereof; and,

FIG. 11 is a top plan view thereof.

The broken lines immediately adjacent to the claim, encompassing regions not included in the claim, represent boundaries that form no part of the claimed design while all other broken lines are directed to environment; the broken lines form no part of the claimed design.

1 Claim, 11 Drawing Sheets



US D765,773 S

Page 2

(56)

References Cited

U.S. PATENT DOCUMENTS

D465,236 S *	11/2002	Fukasawa	D18/50	D525,283 S *	7/2006	Nakaeda	D18/19
D478,116 S *	8/2003	Nakaeda	D18/19	D640,735 S *	6/2011	Kimura	D18/50
D491,217 S *	6/2004	Miyauchi	D18/50	D640,736 S *	6/2011	Kimura	D18/50
D523,072 S *	6/2006	Lee	D18/50	D680,581 S *	4/2013	Nakata	D18/50
					2011/0199630 A1 *	8/2011	Oozawa	B41J 3/01 358/1.14

* cited by examiner

FIG. 1

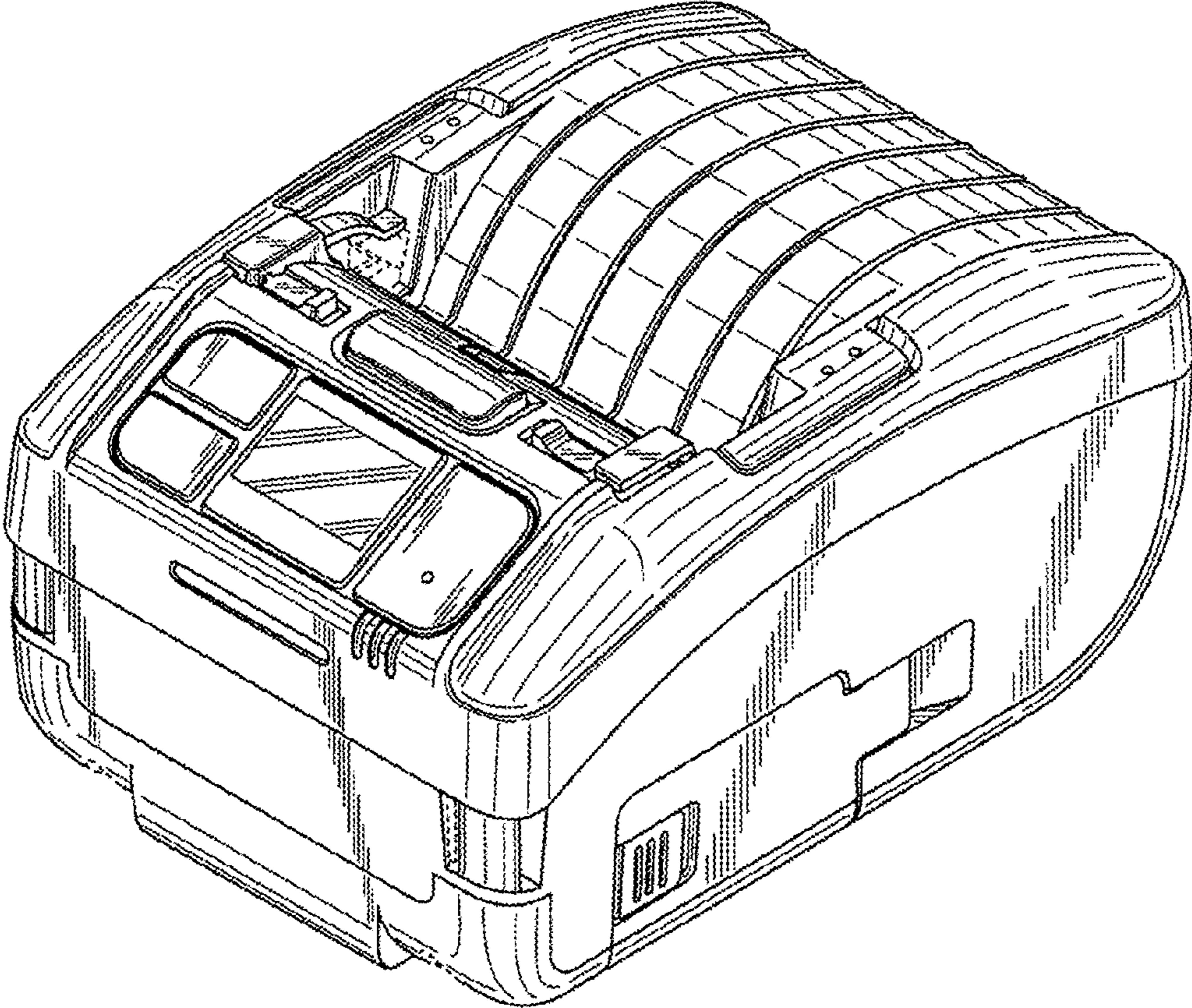


FIG. 2

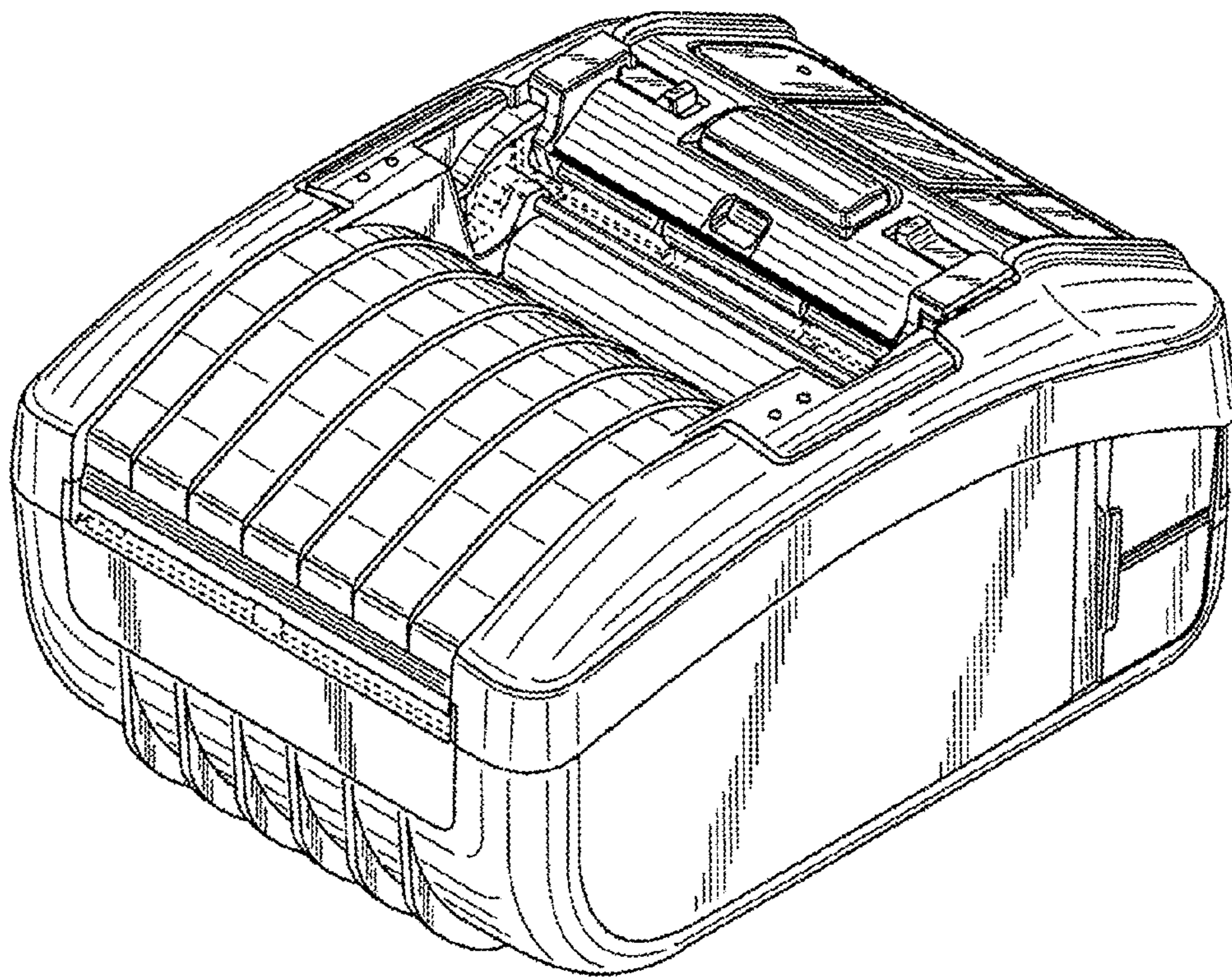


FIG. 3

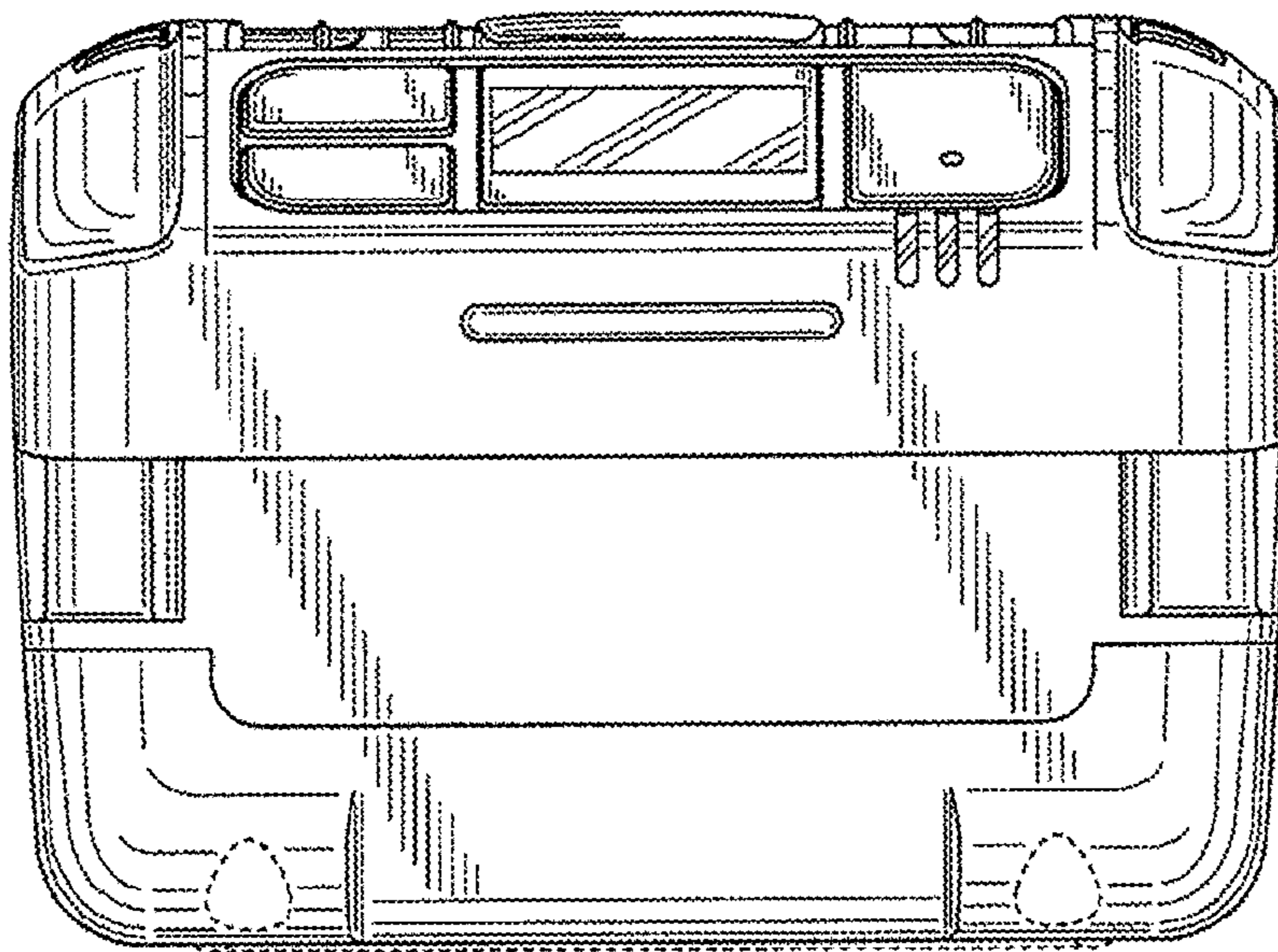


FIG. 4

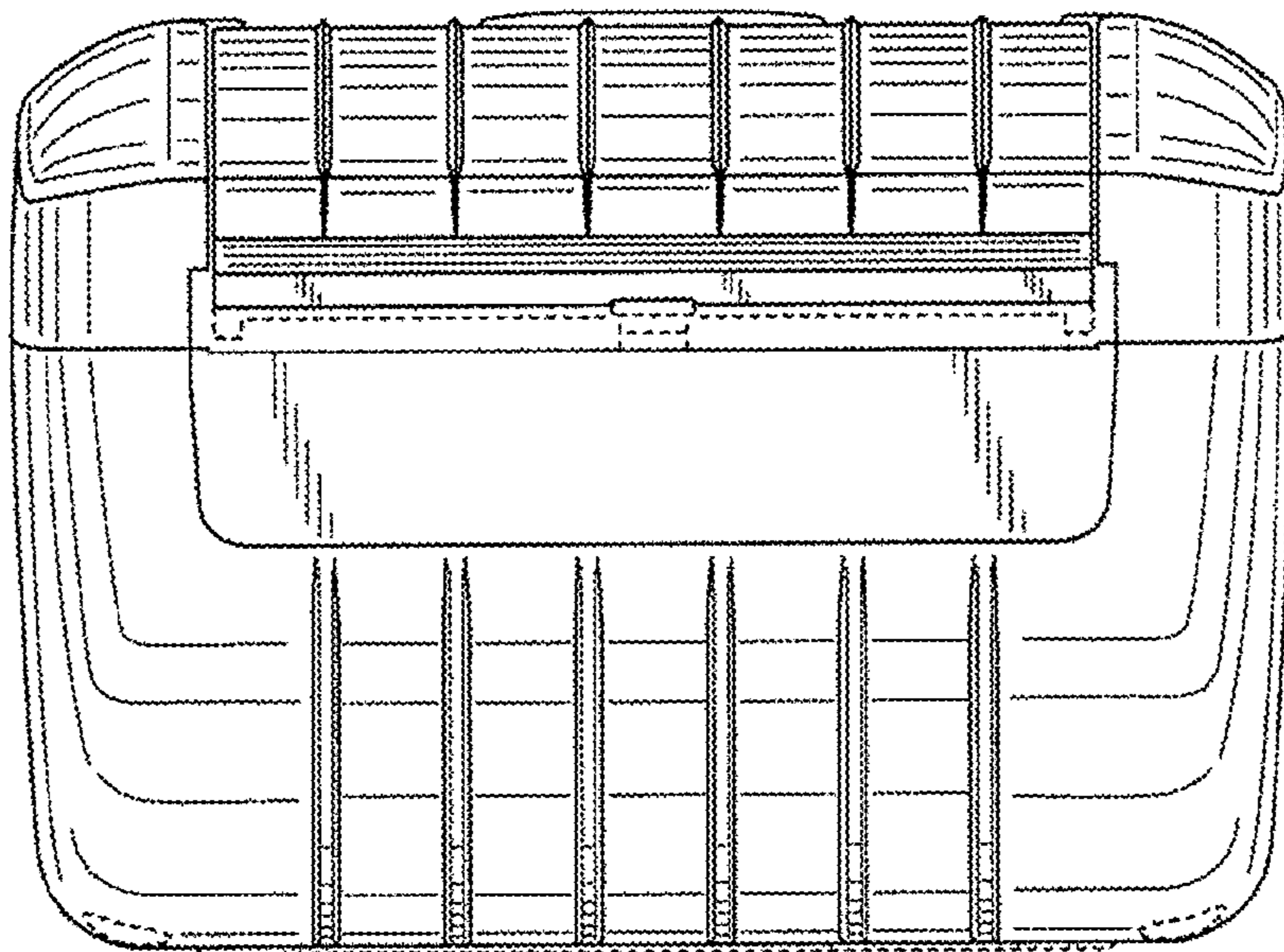


FIG. 5

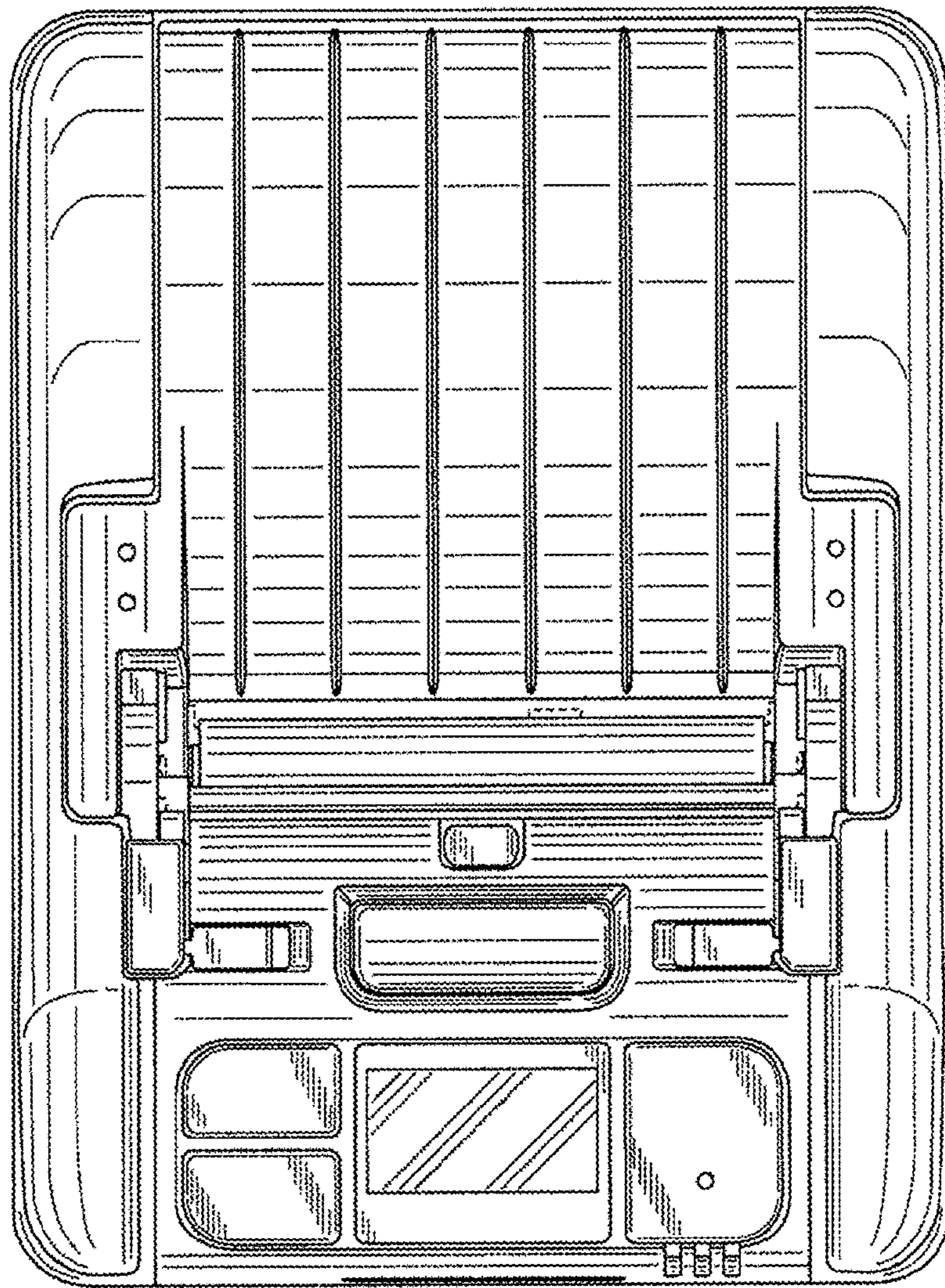


FIG. 6

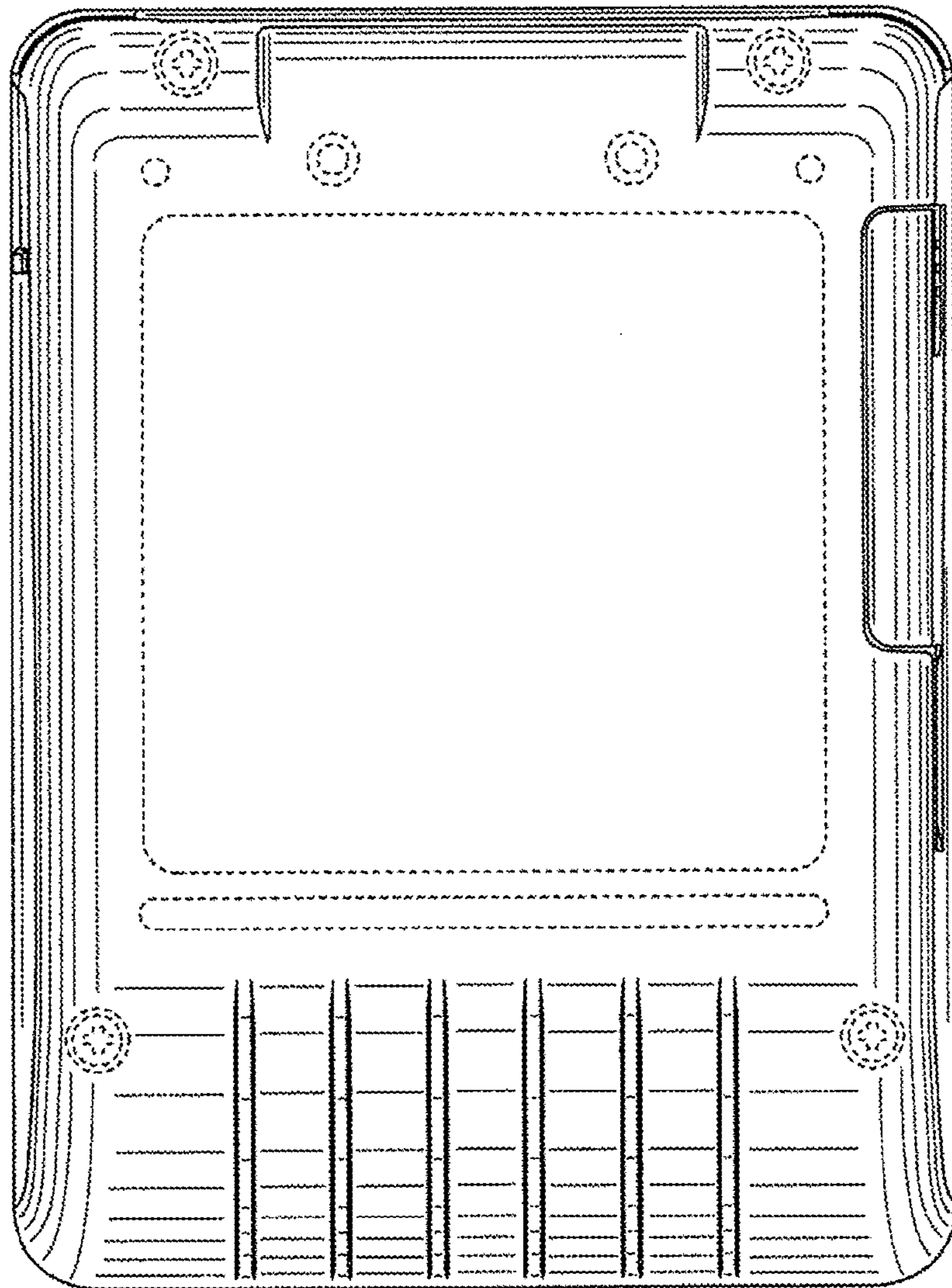


FIG. 7

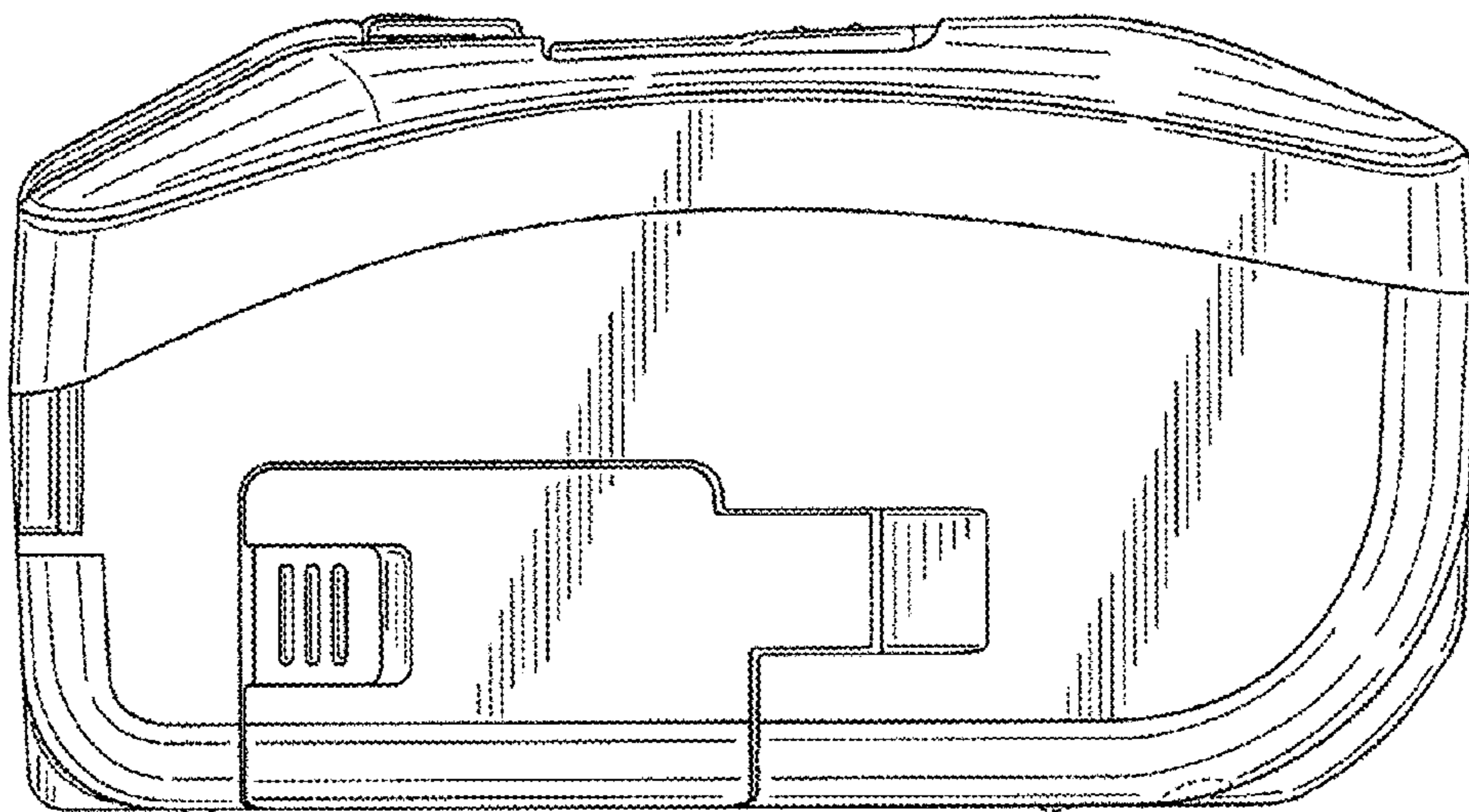


FIG. 8

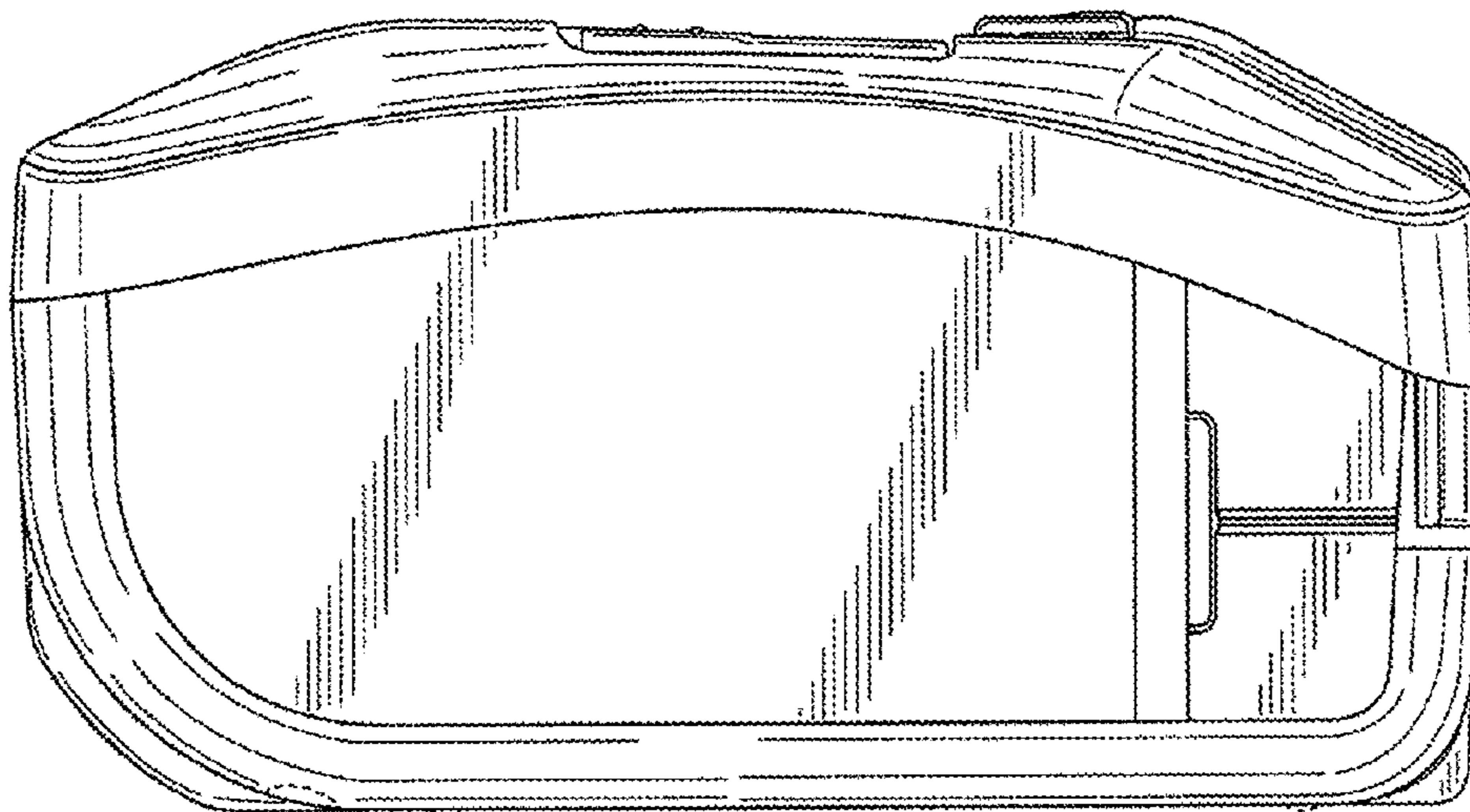


FIG. 9

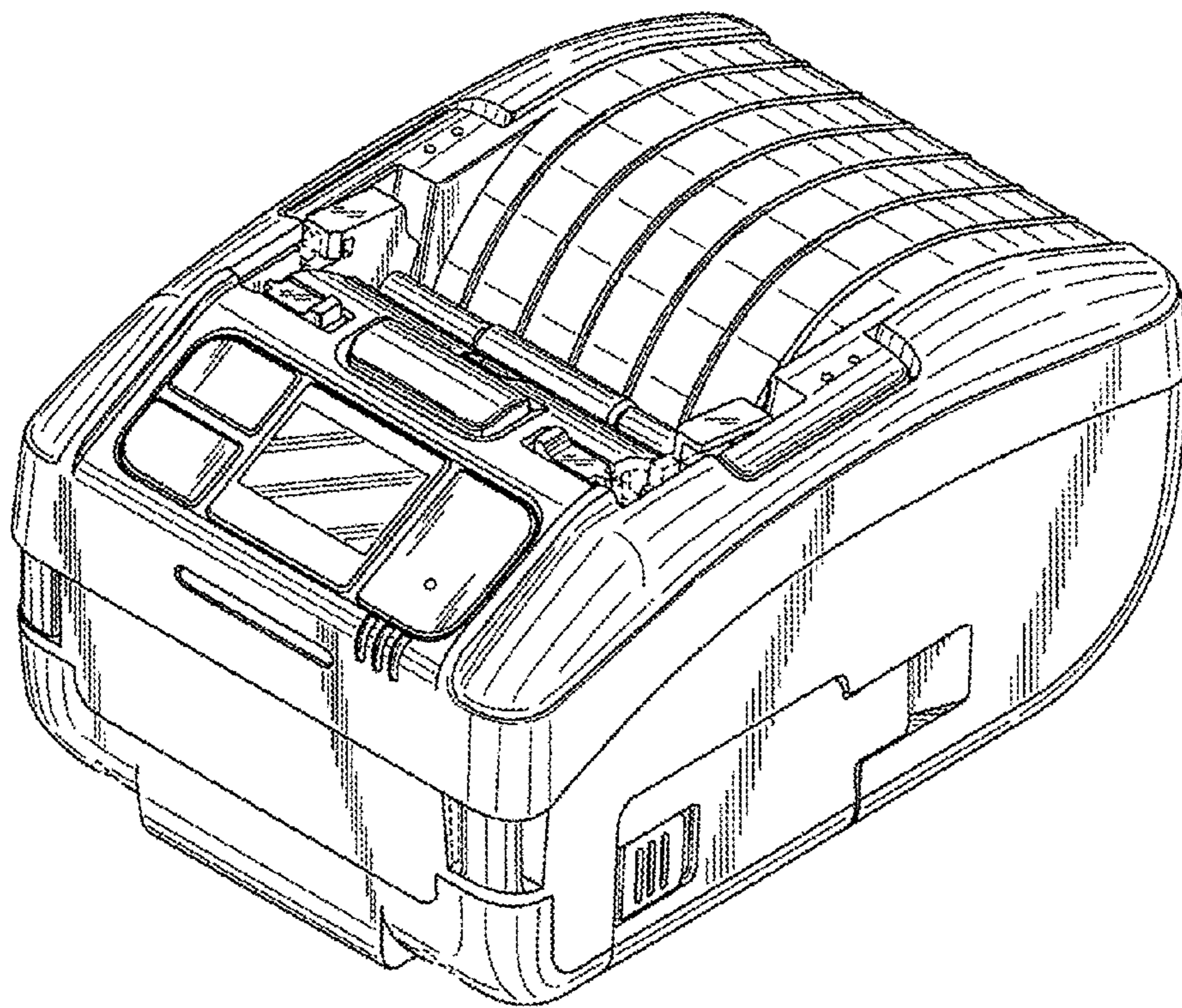


FIG. 10

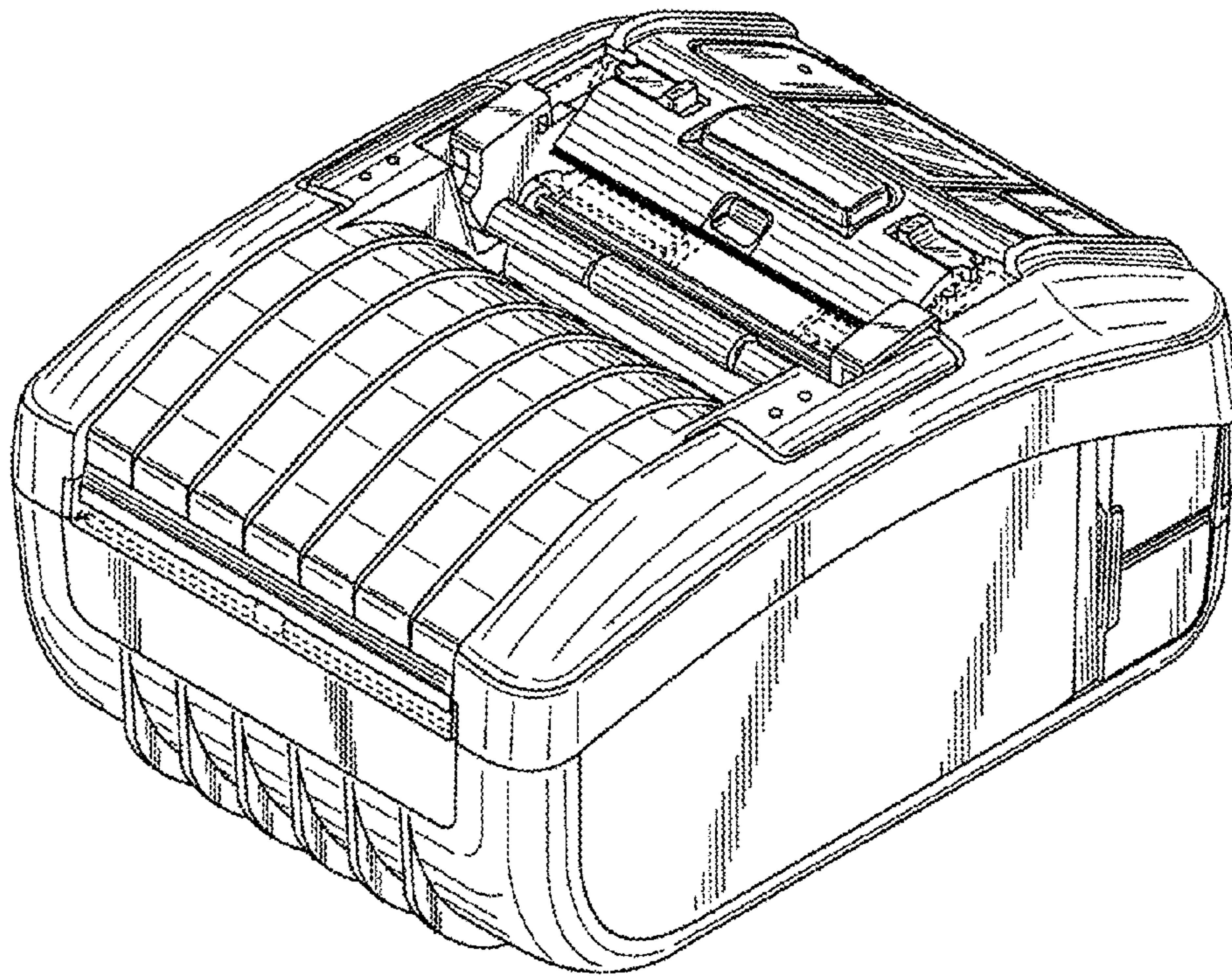


FIG. 11

