

US00D765770S

(12) **United States Design Patent** (10) **Patent No.:** **US D765,770 S**  
**Ahn et al.** (45) **Date of Patent:** **\*\* Sep. 6, 2016**

(54) **TONER CARTRIDGE**

(56) **References Cited**

(71) Applicant: **Samsung Electronics Co., Ltd.**,  
Suwon-si, Gyeonggi-do (KR)

U.S. PATENT DOCUMENTS

(72) Inventors: **Yong-Nam Ahn**, Suwon-si (KR);  
**Shin-Hyup Kang**, Suwon-si (KR);  
**Young-Chae Kim**, Seoul (KR);  
**Jong-Uk Kim**, Suwon-si (KR)

D451,127 S \* 11/2001 Katou ..... D18/43  
D590,437 S \* 4/2009 Tanaka ..... D18/43  
D679,750 S \* 4/2013 Fujii ..... D18/43  
D736,309 S \* 8/2015 Kang ..... D18/43

\* cited by examiner

(73) Assignee: **SAMSUNG ELECTRONICS CO., LTD.** (KR)

*Primary Examiner* — Daniel Bui

*Assistant Examiner* — Khawaja Anwar

(74) *Attorney, Agent, or Firm* — Cantor Colburn LLP

(\*\*) Term: **14 Years**

(57) **CLAIM**

(21) Appl. No.: **29/512,075**

We claim, the ornamental design for a toner cartridge, as shown and described.

(22) Filed: **Dec. 16, 2014**

**DESCRIPTION**

(30) **Foreign Application Priority Data**

Jun. 27, 2014 (KR) ..... 30-2014-0031739

(51) **LOC (10) Cl.** ..... **16-03**

(52) **U.S. Cl.**  
USPC ..... **D18/43**

(58) **Field of Classification Search**  
USPC ..... D18/18, 40, 43, 56, 99  
CPC ..... G03G 15/0832; G03G 15/0834;  
G03G 15/0836; G03G 15/0837; G03G  
15/0867; G03G 15/0868; G03G 15/0872;  
G03G 15/0877; G03G 15/0898; G03G 15/50;  
G03G 15/5016; G03G 15/60; G03G 15/65

FIG. 1 is a front perspective view of a toner cartridge showing our new design;  
FIG. 2 is a front view thereof;  
FIG. 3 is a rear view thereof;  
FIG. 4 is a left-side view thereof;  
FIG. 5 is a right-side view thereof;  
FIG. 6 is a top view thereof;  
FIG. 7 is a bottom view thereof; and,  
FIG. 8 is a bottom perspective view thereof.

The broken lines illustrating portions of the toner cartridge are for environmental purposes only and form no part of the claimed design.

**1 Claim, 8 Drawing Sheets**

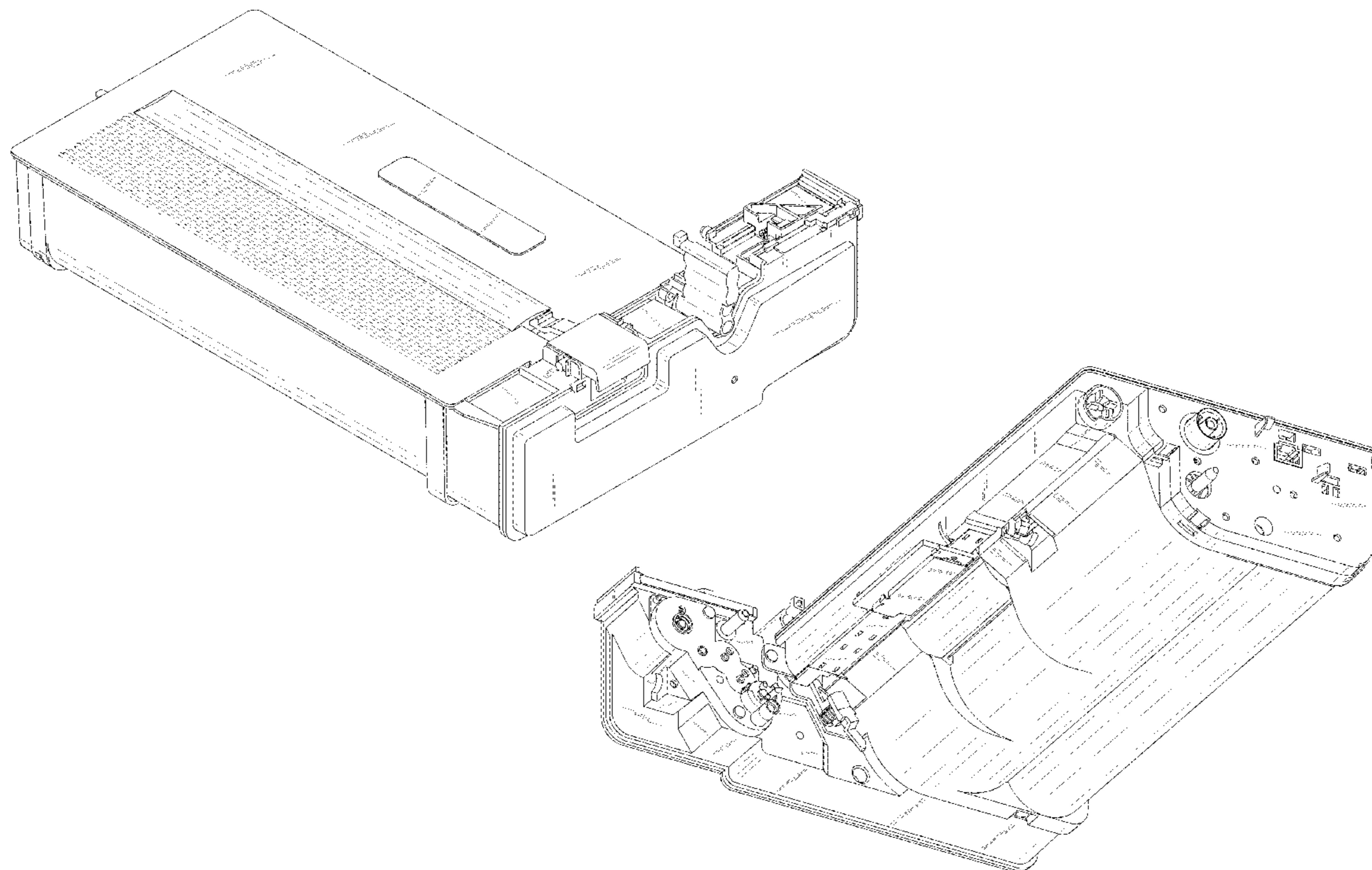


FIG.1

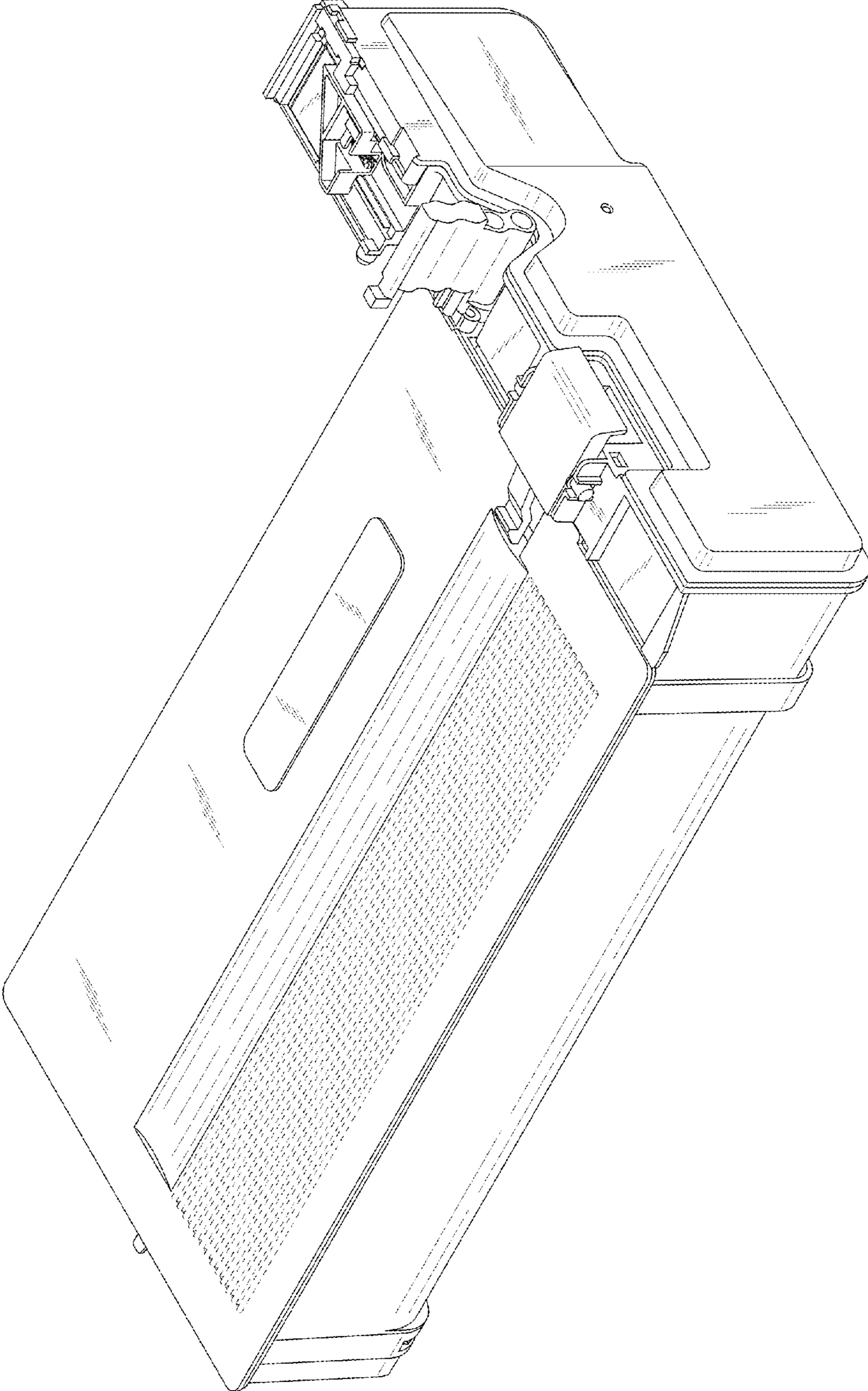


FIG.2

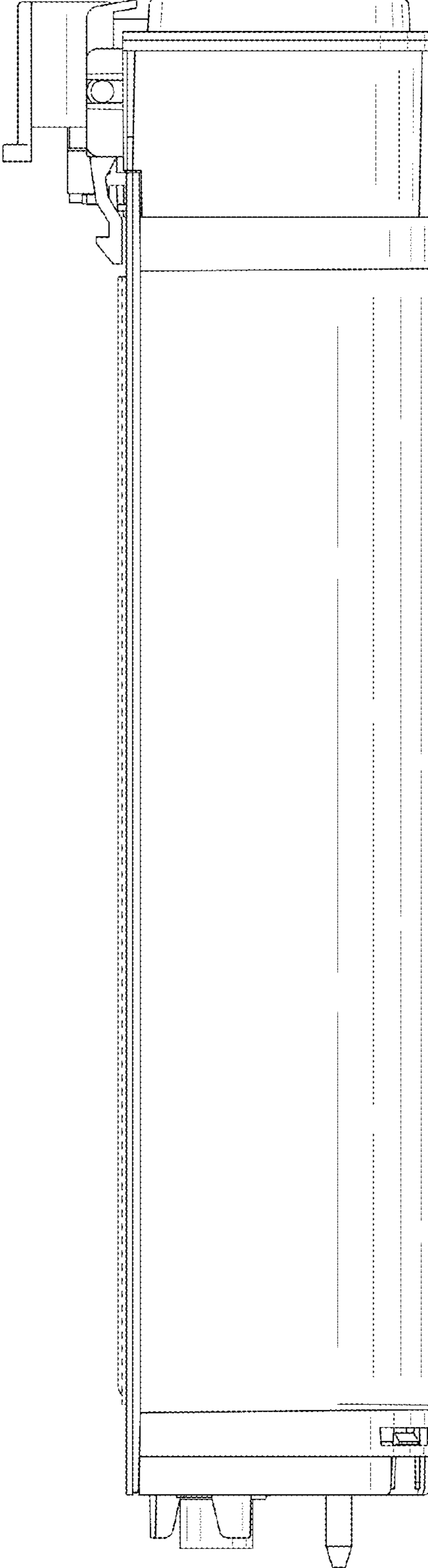


FIG.3

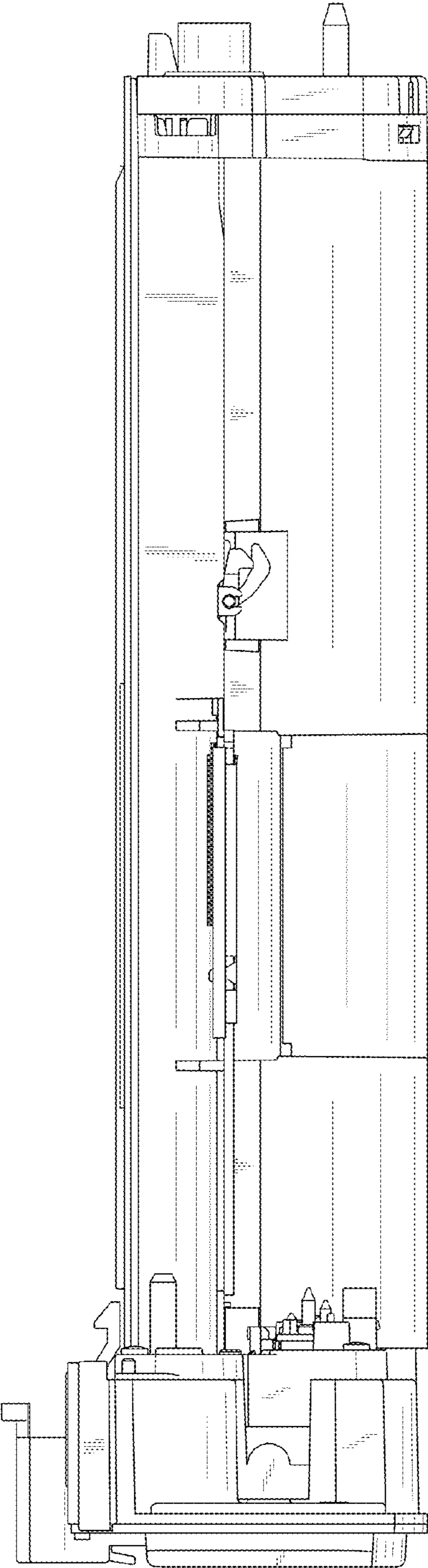


FIG.4

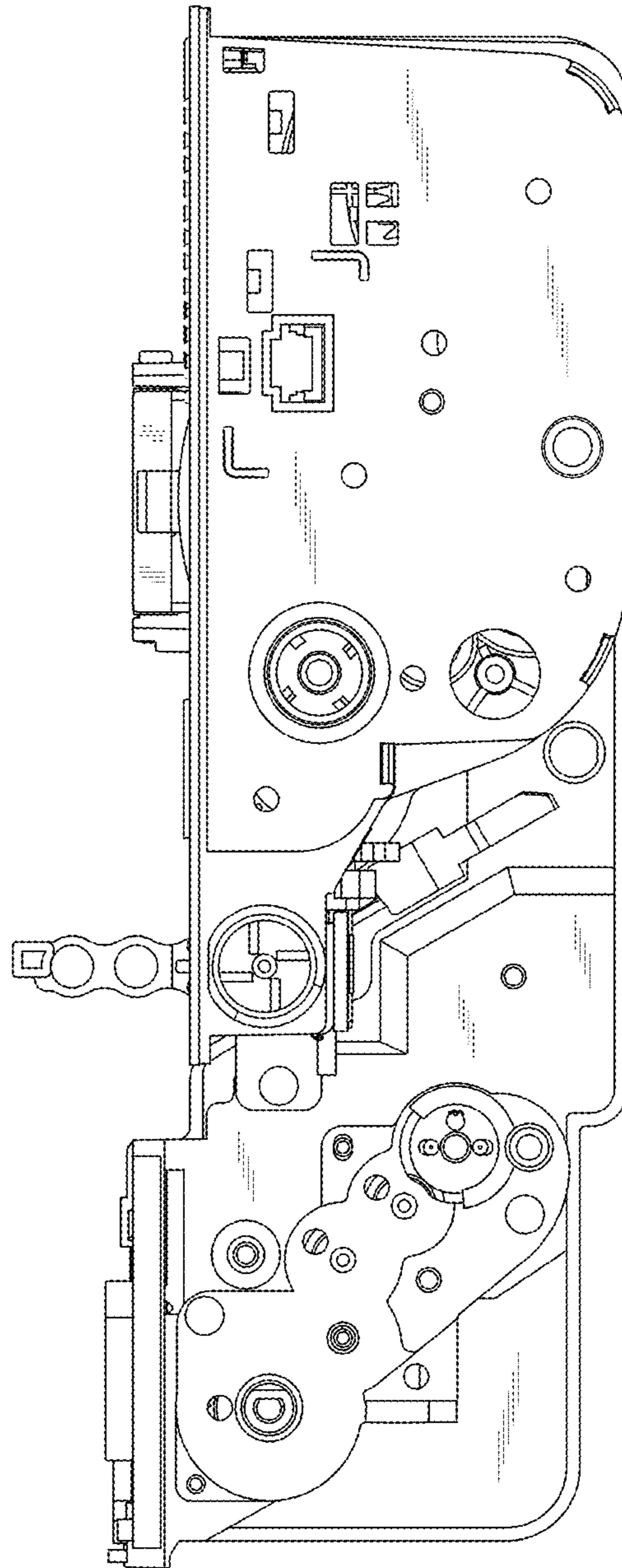


FIG.5

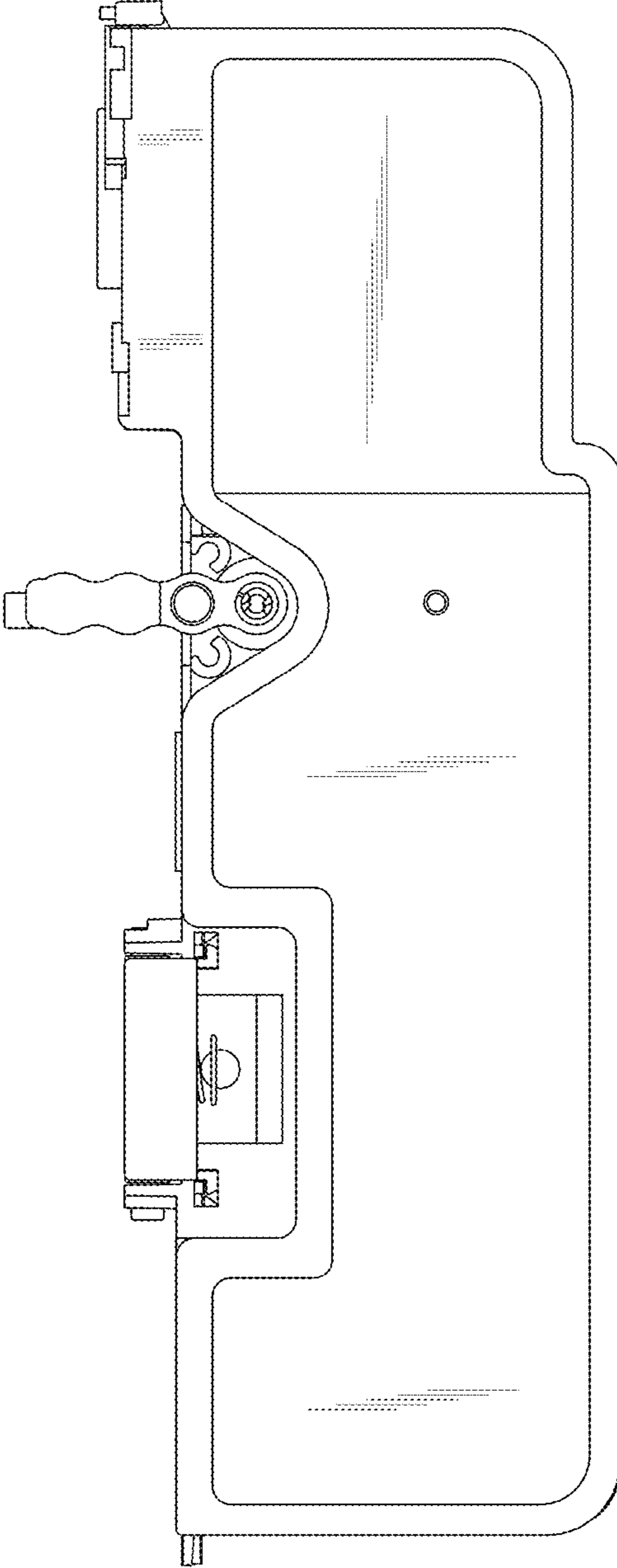


FIG.6

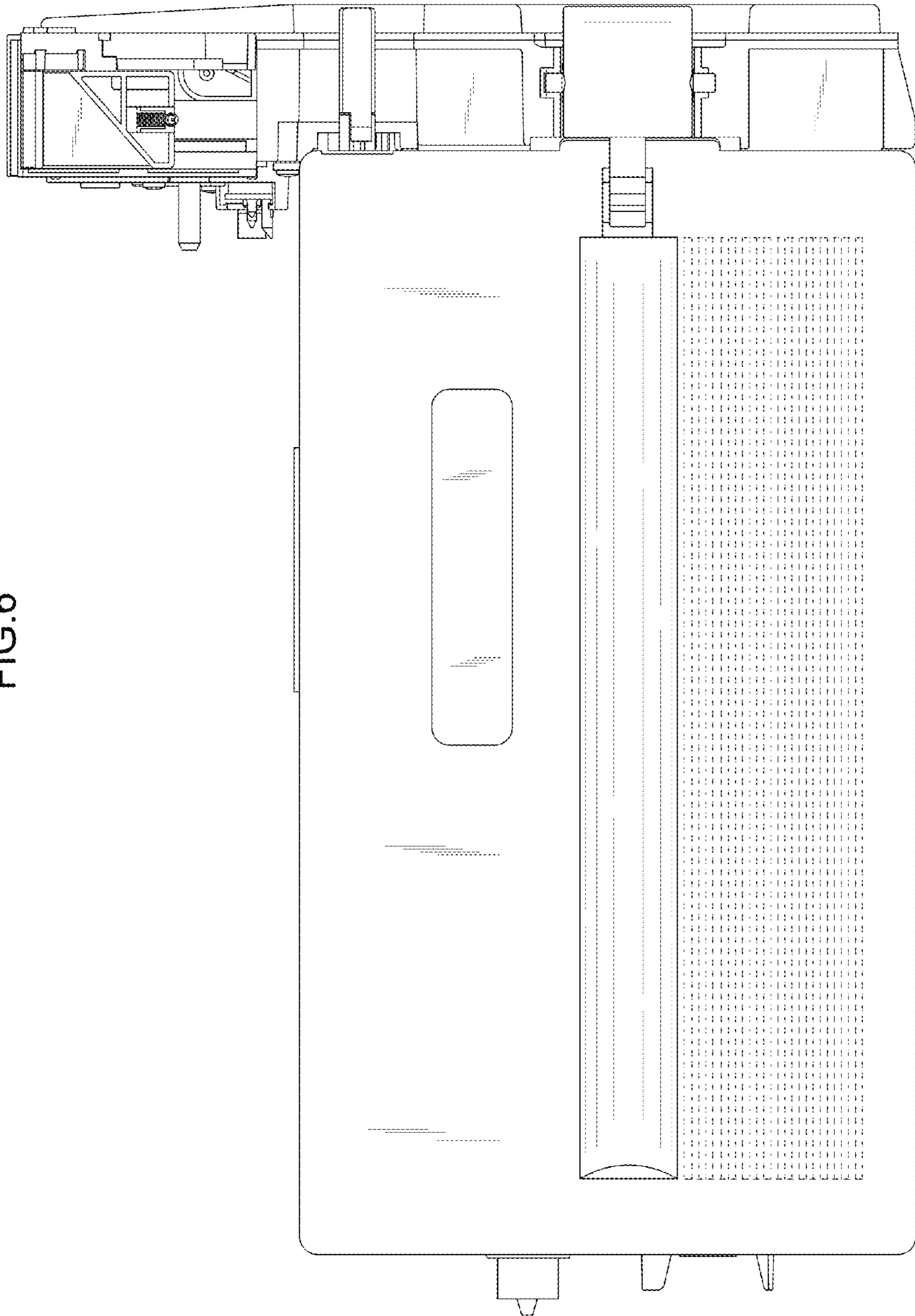


FIG.7

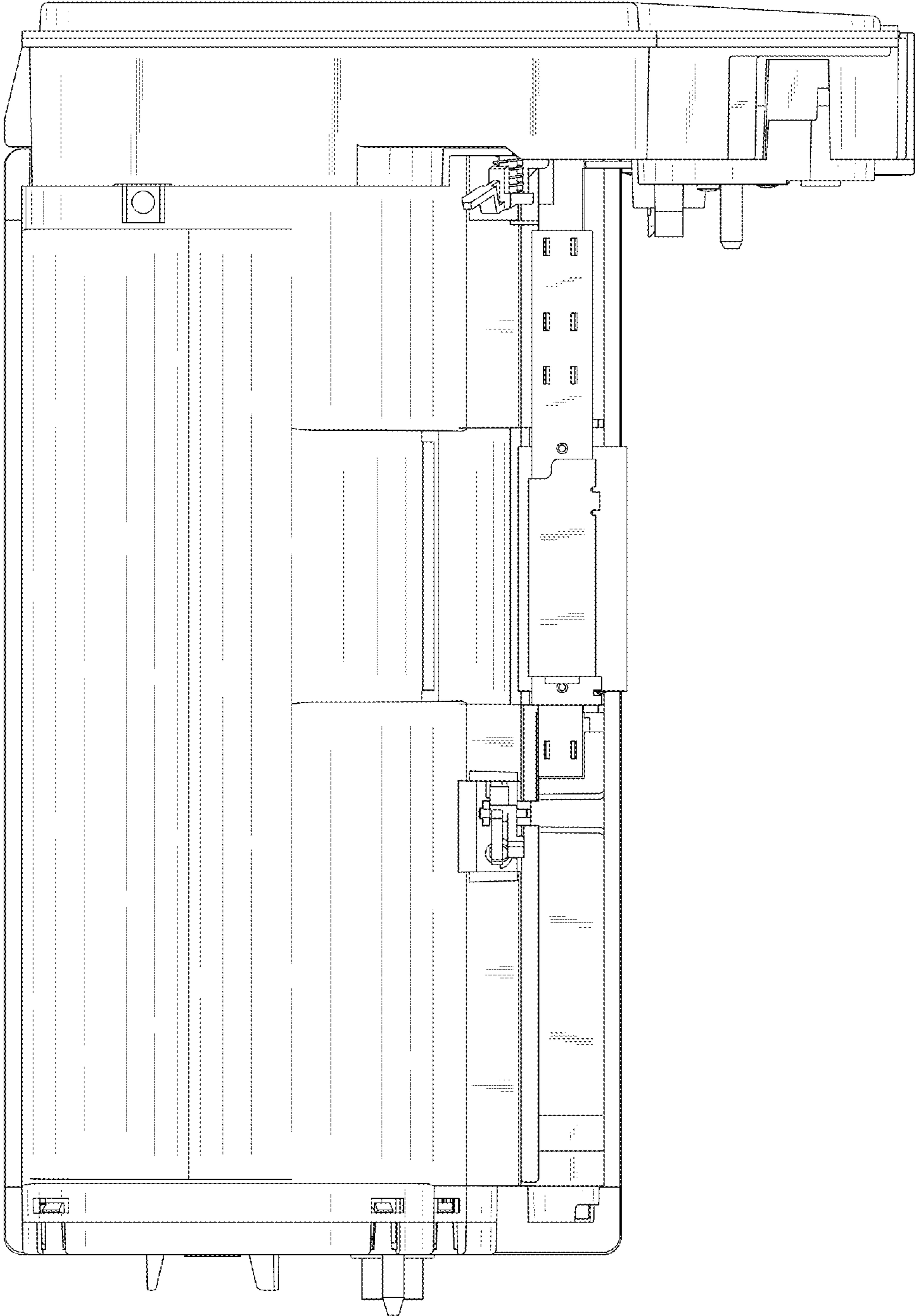




FIG.8

