



US00D765767S

(12) **United States Design Patent** (10) **Patent No.:** **US D765,767 S**  
**Yeruva et al.** (45) **Date of Patent:** **\*\* Sep. 6, 2016**

(54) **MOBILE DEVICE PIN PAD ATTACHMENT**

(71) Applicant: **FIRST DATA CORPORATION**,  
Greenwood Village, CO (US)

(72) Inventors: **Siva Raja Sekhar Reddy Yeruva**,  
Mountain View, CA (US); **Vijayaratna  
Kumar Boda**, Mountain View, CA  
(US); **Sam Niansheng Qiu**, Mountain  
View, CA (US); **Eric Fuhs**, Mountain  
View, CA (US); **John Beatty**, Mountain  
View, CA (US); **Leonard Robert  
Speiser**, Mountain View, CA (US);  
**Abhinayak Mishra**, Mountain View,  
CA (US)

(73) Assignee: **First Data Corporation**, Greenwood  
Village, CO (US)

(\*\*) Term: **14 Years**

(21) Appl. No.: **29/517,887**

(22) Filed: **Feb. 18, 2015**

(51) **LOC (10) Cl.** ..... **18-01**

(52) **U.S. Cl.**  
USPC ..... **D18/12.2**

(58) **Field of Classification Search**  
USPC ..... D18/3.1, 3.3, 7, 12, 12.1, 12.2; D99/28,  
D99/34, 35, 43, 99  
CPC ..... A63H 33/3005; G06C 7/00; G06C 7/02;  
G06C 7/06; G06C 7/08; G07F 1/00; G07F  
1/10; G07F 19/00; G07F 19/20; G07F  
19/201; G07C 13/00; G07C 13/005; B42D  
15/00; H04H 60/90; H04H 60/91; H04H  
60/92; H04H 60/93; G06F 1/00; G06F 1/02;  
G06F 1/1613; G06F 15/02  
See application file for complete search history.

(56) **References Cited**

**U.S. PATENT DOCUMENTS**

D116,238 S \* 8/1939 Munson ..... D18/12.2  
D264,467 S \* 5/1982 Fischer ..... D14/387

4,684,791 A \* 8/1987 Bito ..... G06Q 20/341  
235/380  
D295,175 S \* 4/1988 Long ..... D18/4.6  
D298,536 S \* 11/1988 Brefka ..... D14/387  
4,788,420 A \* 11/1988 Chang ..... G06K 13/08  
235/449  
4,923,154 A \* 5/1990 Konkel ..... G07G 1/0018  
248/131  
D309,052 S \* 7/1990 Feger ..... D14/387  
D311,178 S \* 10/1990 Goodner ..... D18/4.6  
D359,951 S \* 7/1995 Nair ..... D14/387  
D364,386 S \* 11/1995 Bramlett ..... D14/387  
D377,167 S \* 1/1997 High, Sr. .... D14/387  
D379,825 S \* 6/1997 Droege ..... D18/4.6  
D381,675 S \* 7/1997 Droege ..... D18/4.6  
D389,466 S \* 1/1998 Nakao ..... D14/387  
D393,527 S \* 4/1998 Ohki ..... D20/2  
D411,753 S \* 6/1999 Jobin ..... D14/449  
D413,868 S \* 9/1999 Hesselbach ..... D14/387

(Continued)

*Primary Examiner* — Elizabeth J Oswecki

(74) *Attorney, Agent, or Firm* — Sutherland Asbill &  
Brennan LLP

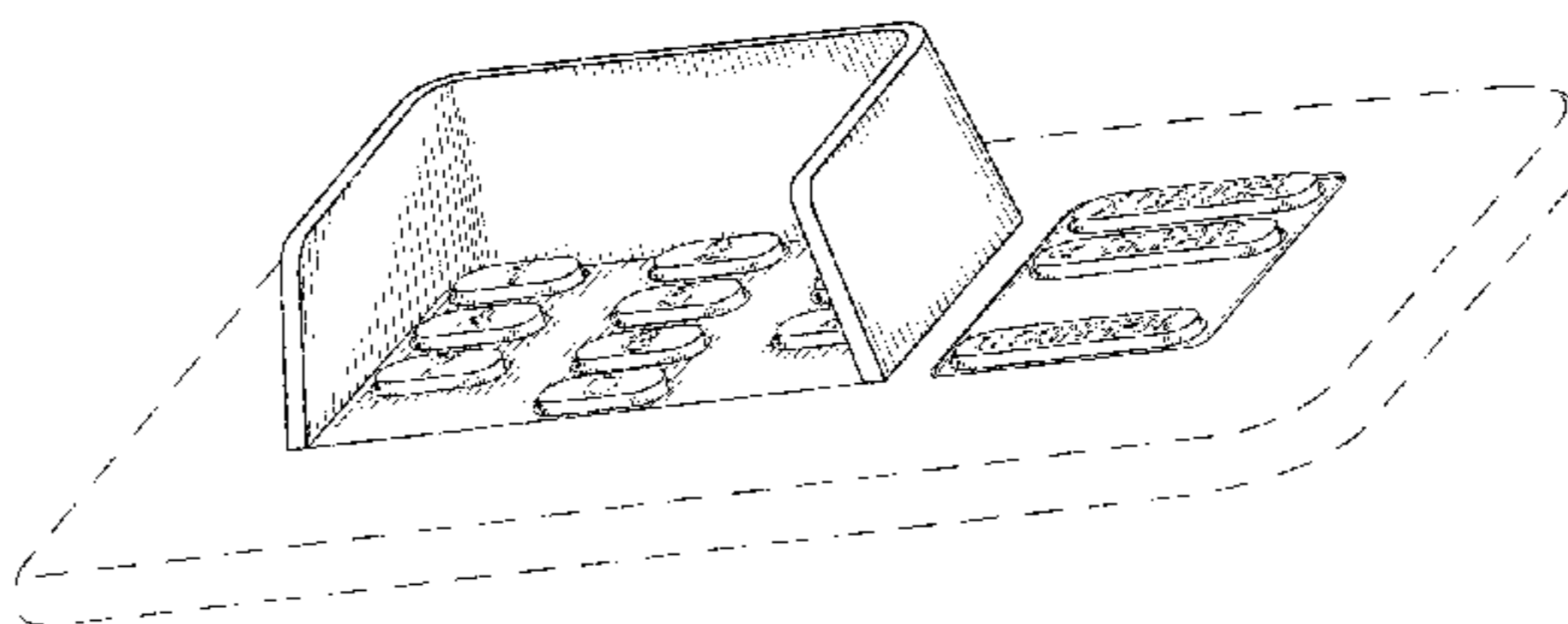
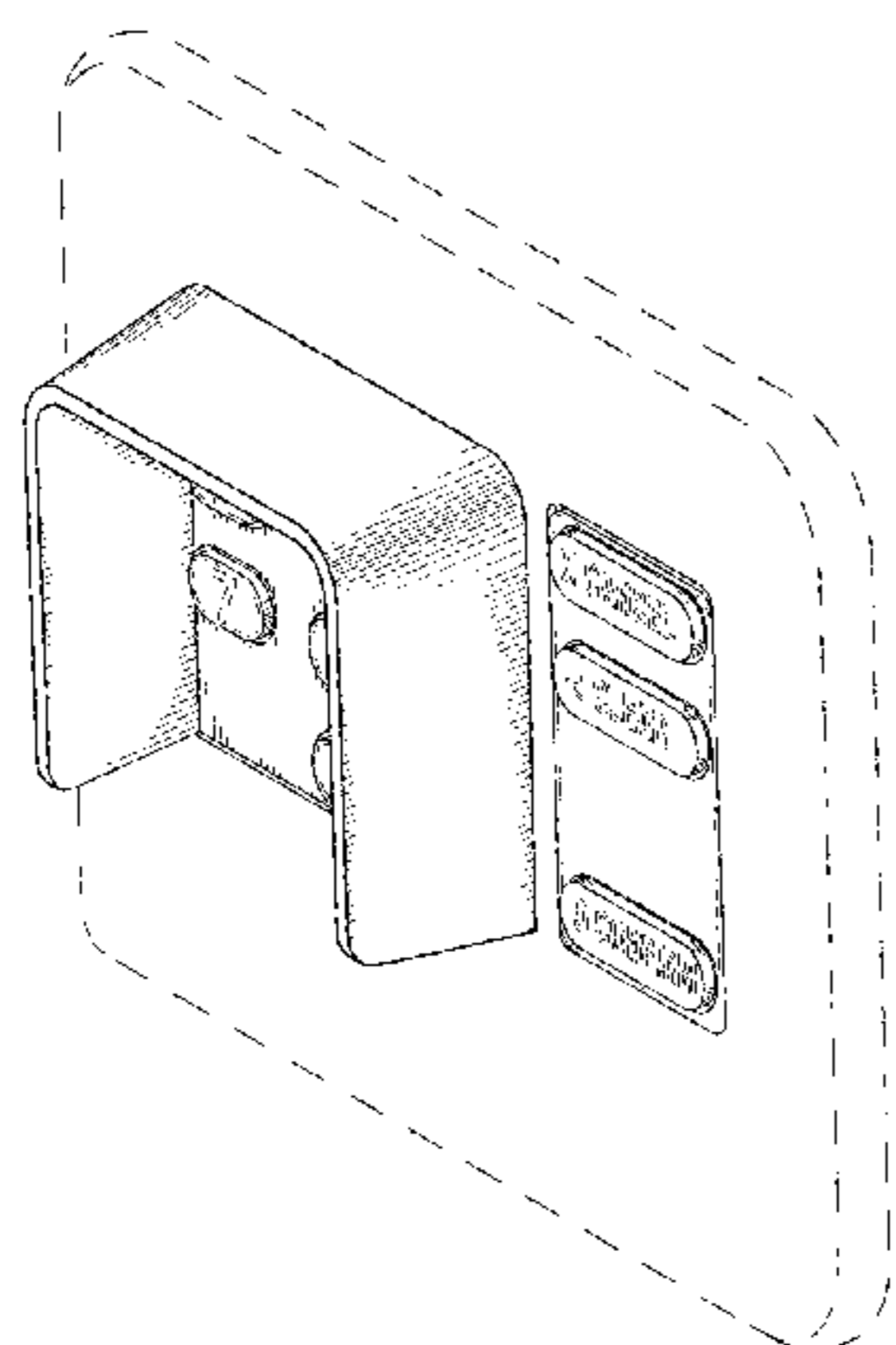
(57) **CLAIM**

The ornamental design for a mobile device pin pad attach-  
ment, as shown and described.

**DESCRIPTION**

FIG. 1 is a front, left side perspective view of a mobile  
device pin pad attachment showing our new design;  
FIG. 2 is a front, bottom perspective view thereof;  
FIG. 3 is a rear perspective view thereof;  
FIG. 4 is a top plan view thereof;  
FIG. 5 is a bottom plan view thereof;  
FIG. 6 is a front elevation view thereof;  
FIG. 7 is a rear elevation view thereof;  
FIG. 8 is a left side elevation view thereof; and,  
FIG. 9 is a right side elevation view thereof.  
The broken lines shown in the drawings represent portions  
of the mobile device pin pad attachment that form no part of  
the claimed design.

**1 Claim, 4 Drawing Sheets**



# US D765,767 S

Page 2

---

(56)

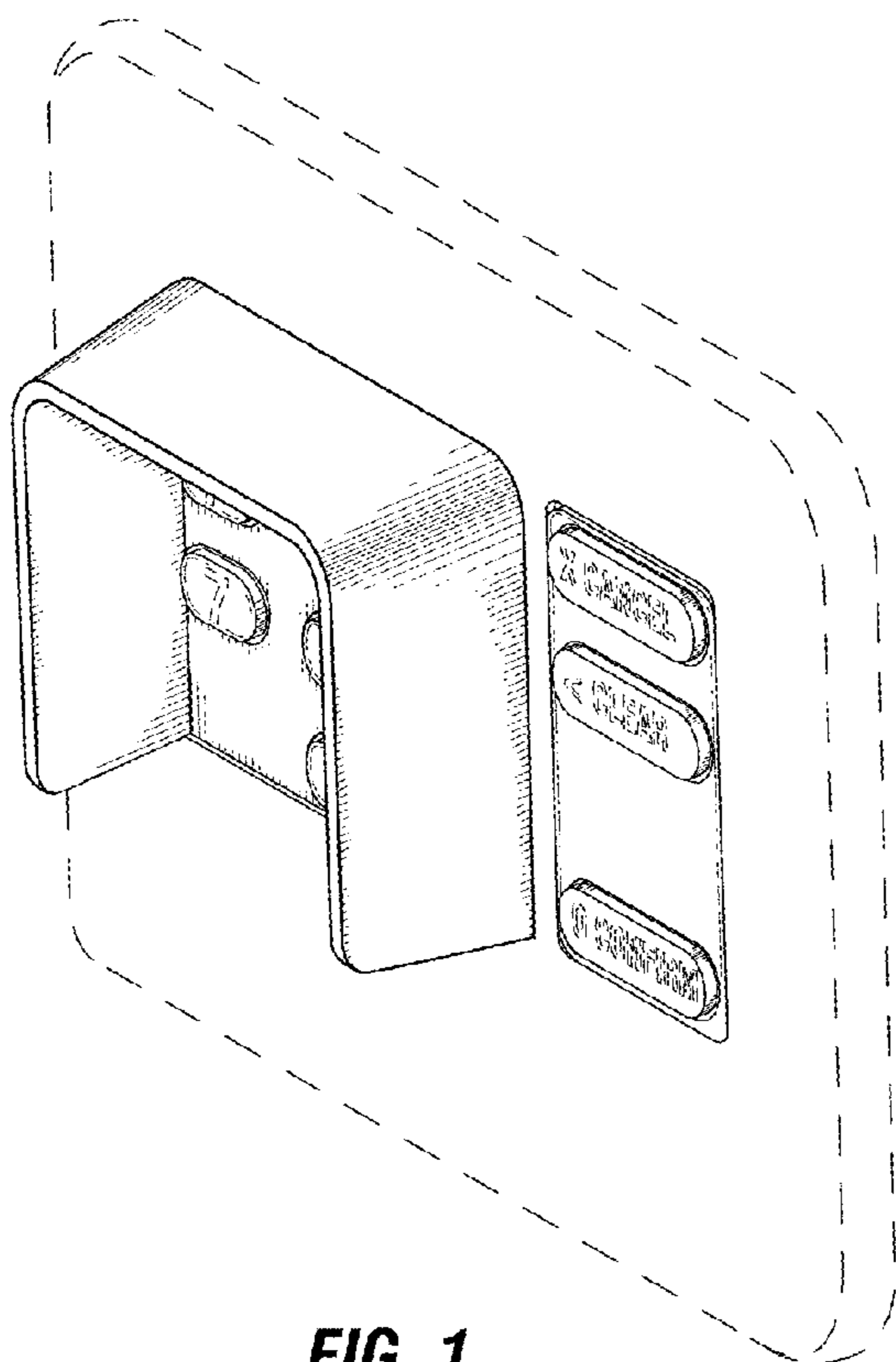
## References Cited

### U.S. PATENT DOCUMENTS

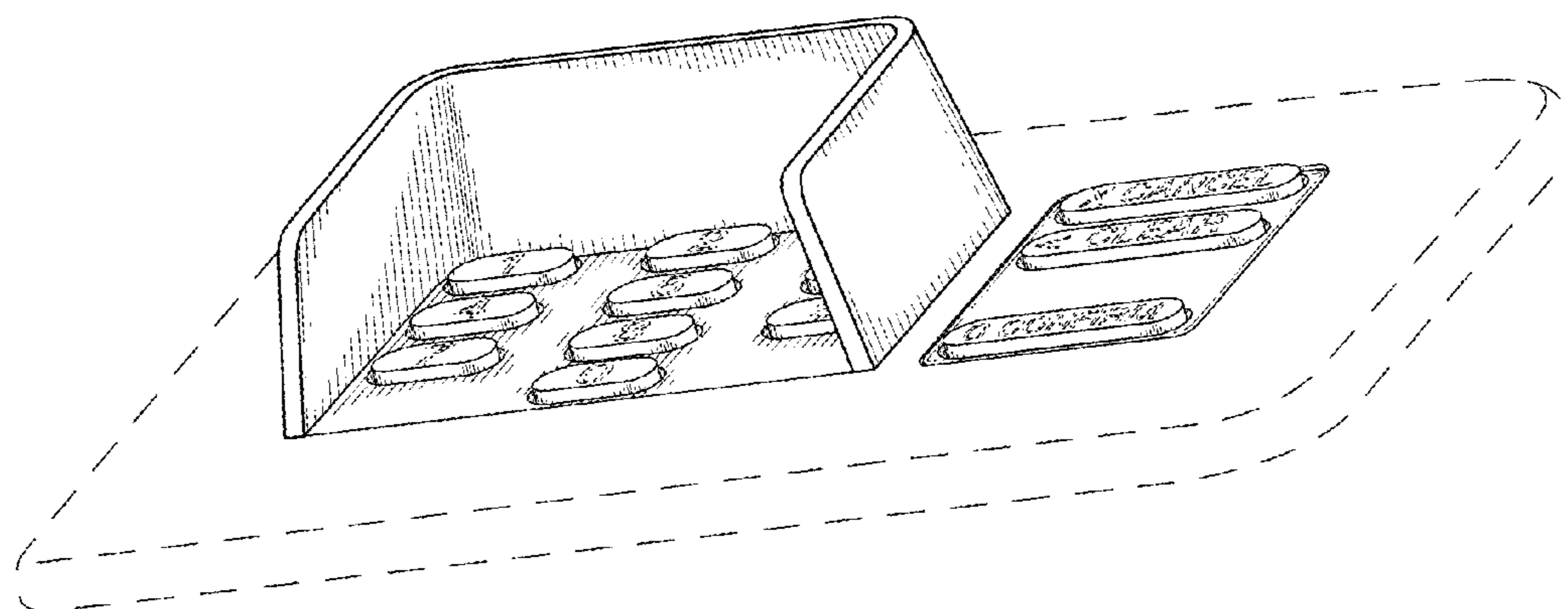
D414,163 S \* 9/1999 Hesselbach ..... D14/387  
D455,889 S \* 4/2002 Jobin ..... D99/43  
D525,410 S \* 7/2006 Colley ..... D99/43  
D554,694 S \* 11/2007 Slinckx ..... D18/4.4

D590,575 S \* 4/2009 Bleck ..... D14/399  
D598,024 S \* 8/2009 Scott ..... D14/432  
D648,374 S \* 11/2011 Hidaka ..... D18/12  
8,419,303 B2 \* 4/2013 Griffin ..... G06F 1/1626  
400/485

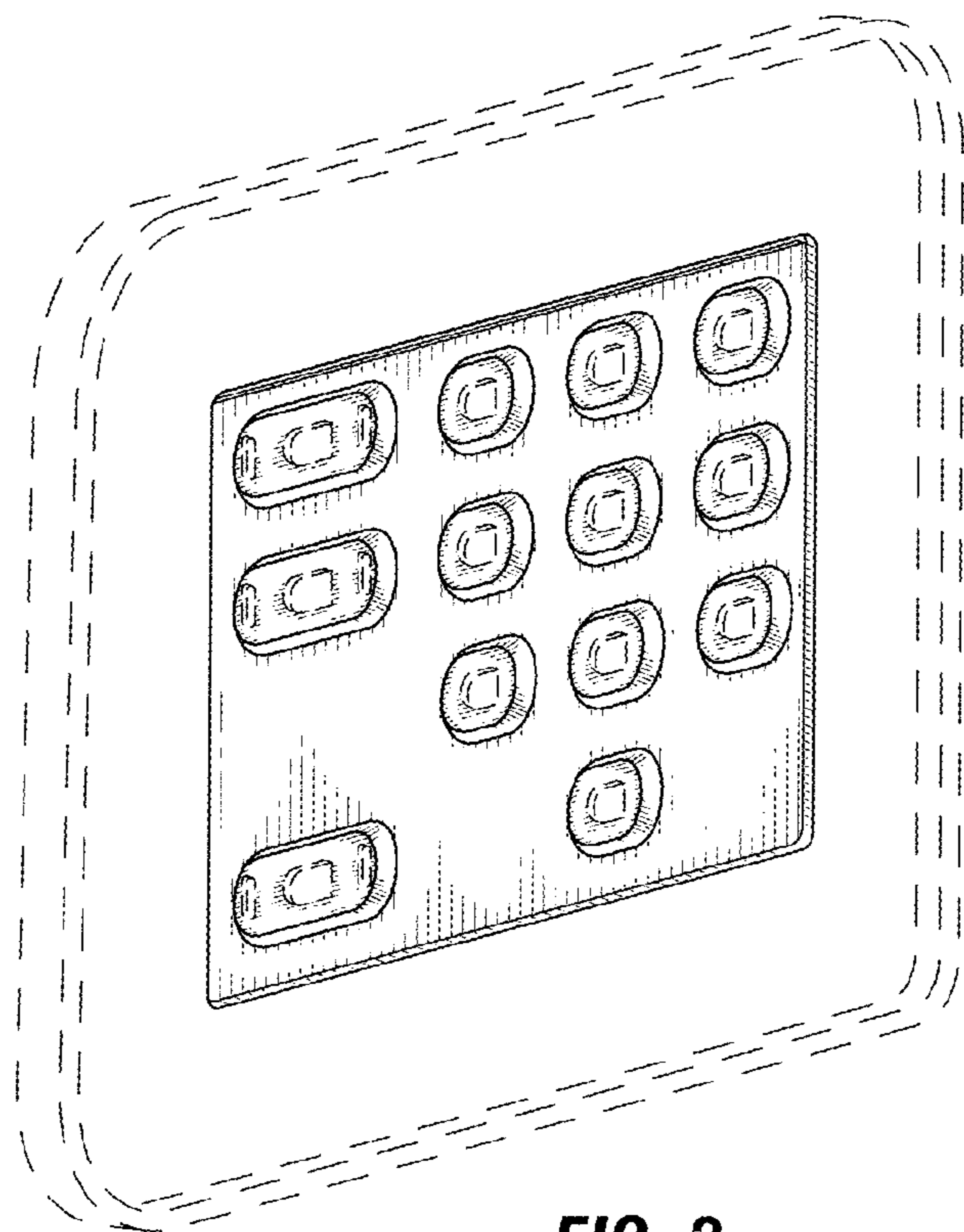
\* cited by examiner



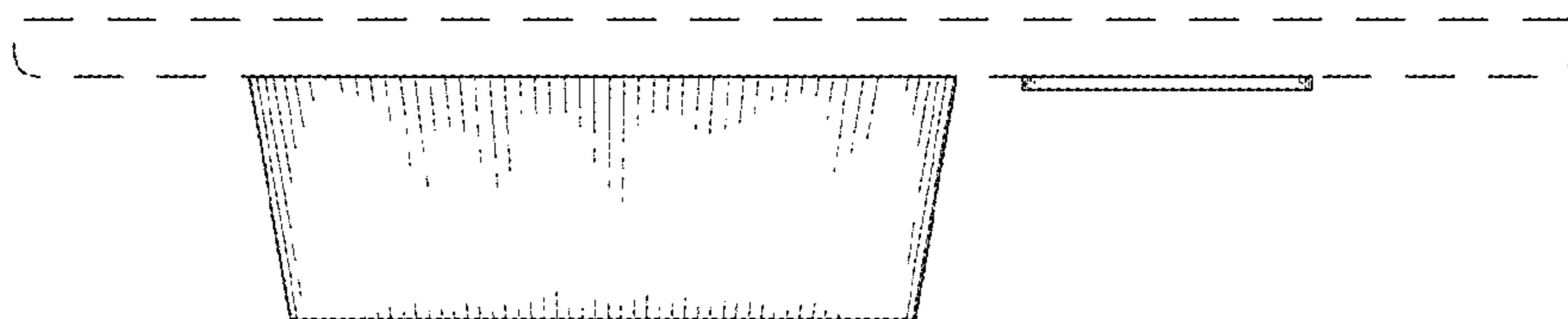
**FIG. 1**



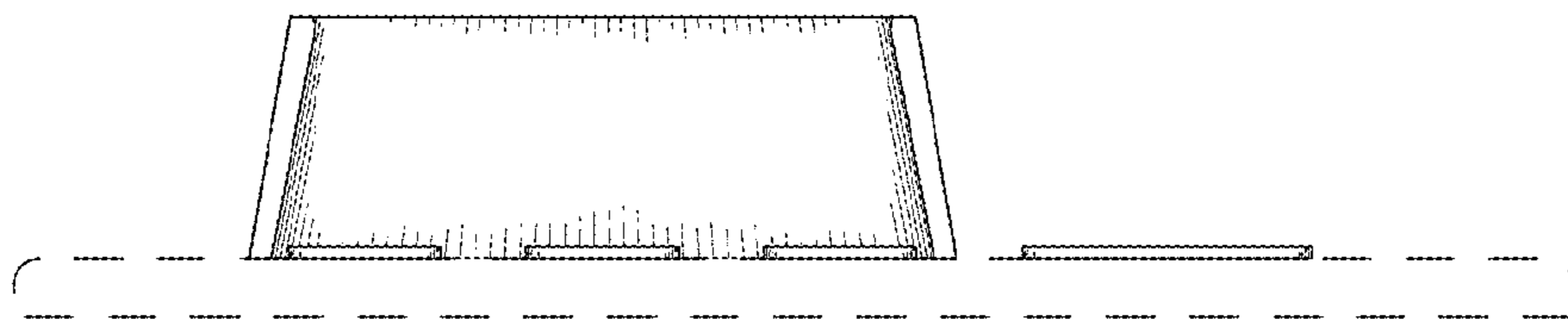
**FIG. 2**



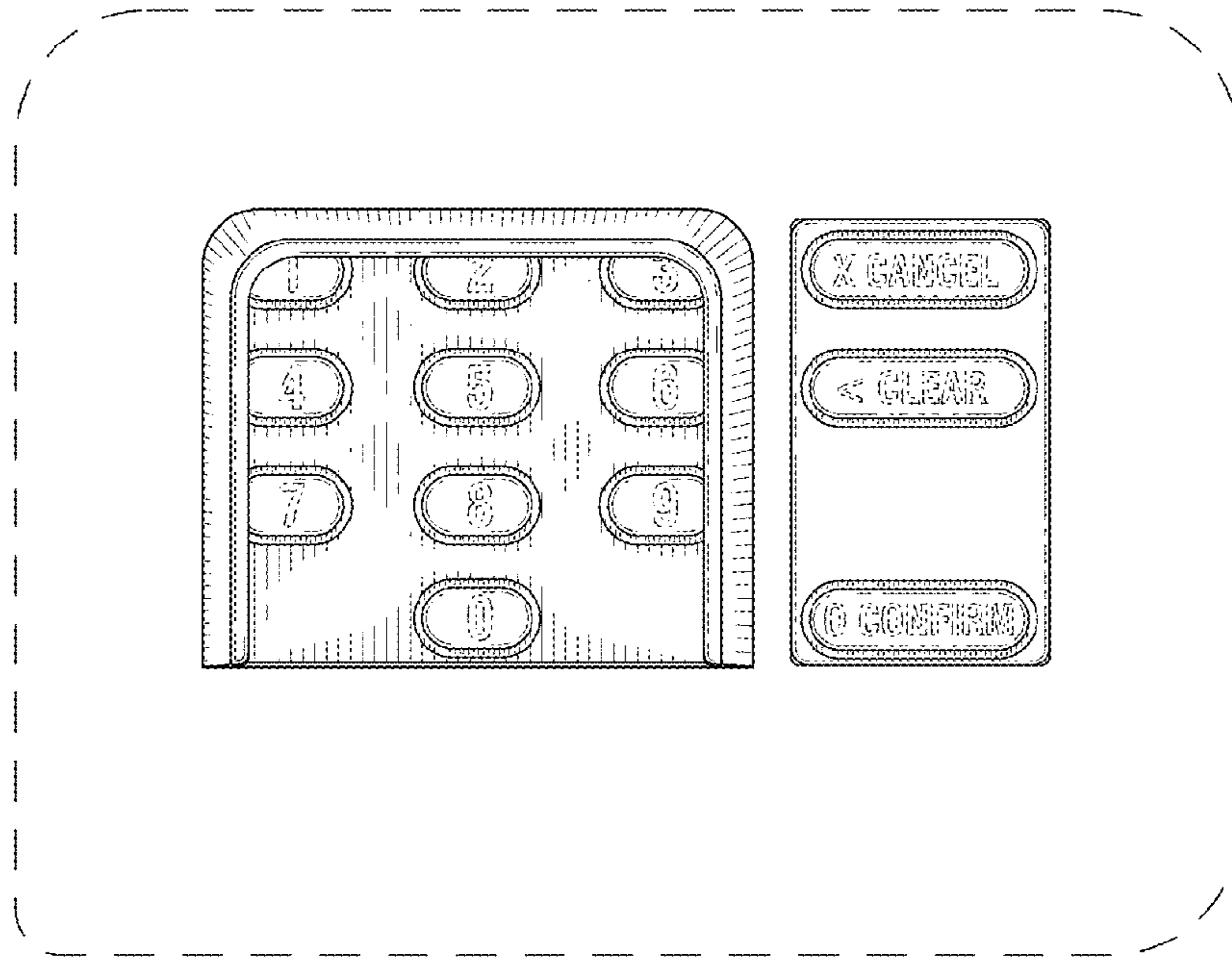
**FIG. 3**



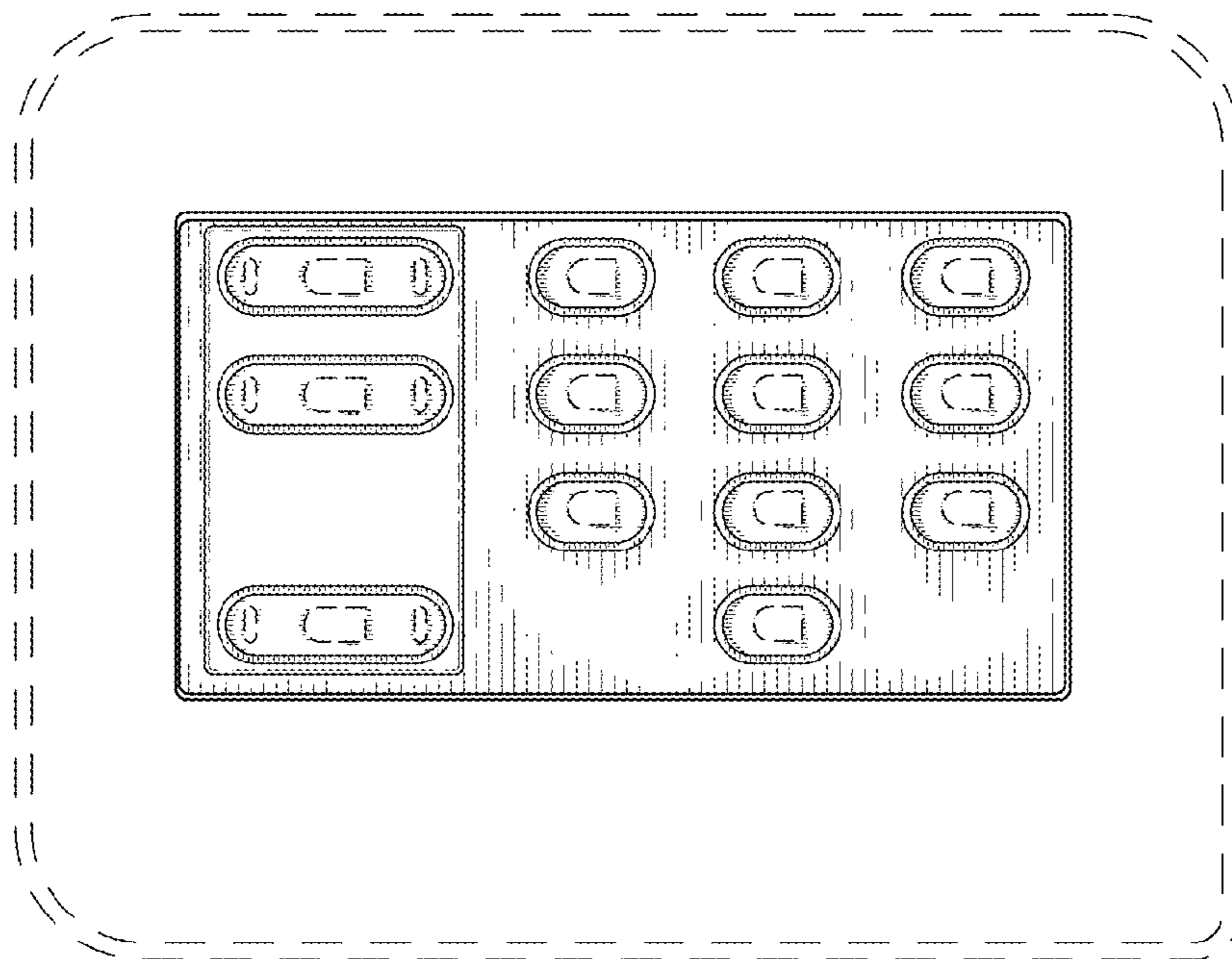
**FIG. 4**



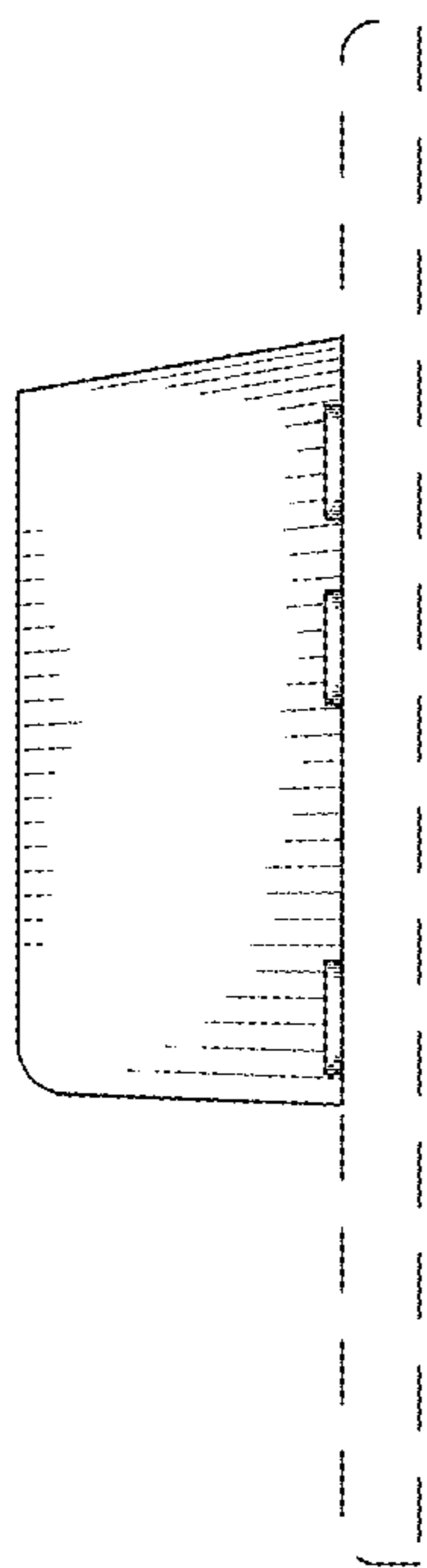
**FIG. 5**



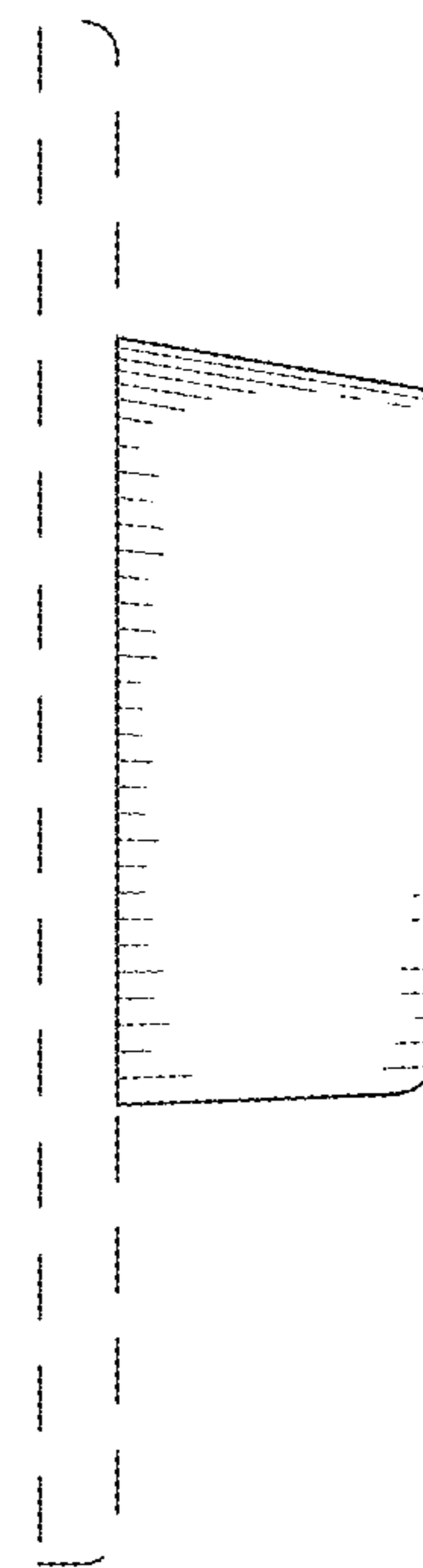
**FIG. 6**



**FIG. 7**



**FIG. 8**



**FIG. 9**