



US00D765765S

(12) **United States Design Patent**  
**Clegg**

(10) **Patent No.:** **US D765,765 S**

(45) **Date of Patent:** **\*\* Sep. 6, 2016**

(54) **EYEWEAR, SUNGLASSES**

(71) Applicant: **Dion Clegg**, Perth (AU)

(72) Inventor: **Dion Clegg**, Perth (AU)

(73) Assignee: **Dion Clegg**, Perth (AU)

(\*\*) Term: **14 Years**

(21) Appl. No.: **29/490,649**

(22) Filed: **May 12, 2014**

(30) **Foreign Application Priority Data**

Nov. 12, 2013 (AU) ..... 15817/2013

(51) **LOC (10) Cl.** ..... **16-06**

(52) **U.S. Cl.**  
USPC ..... **D16/336; D16/335; D16/323**

(58) **Field of Classification Search**  
USPC ..... D16/101, 300-342, 900; D29/109-110;  
351/41, 44, 51-52, 62, 158, 92,  
351/103-123, 140-153, 63, 59, 45-48;  
2/426-432, 447-449, 441, 434-437,  
2/440, 442, 13, 15; D21/483, 659-661;  
D14/372; D8/356  
CPC ..... G02C 2200/08; G02C 1/06; G02C 5/14;  
G02C 11/02; G02C 11/04; G01C 5/16;  
A61M 2021/0044; A63B 33/002  
See application file for complete search history.

(56) **References Cited**

**U.S. PATENT DOCUMENTS**

- 1,898,059 A \* 2/1933 McDonald ..... G02C 3/04  
351/112
- 2,482,195 A \* 9/1949 Martin ..... G02C 5/00  
351/52
- 3,883,236 A \* 5/1975 Zipper ..... G02C 3/04  
351/112
- 4,508,105 A \* 4/1985 Whitten ..... A61B 5/0484  
D16/336
- 4,806,008 A \* 2/1989 Tarloff ..... G02C 11/02  
351/111

- D312,773 S \* 12/1990 Salinas ..... D16/336
- 5,110,198 A \* 5/1992 Travis ..... G02C 5/02  
351/121
- D377,803 S \* 2/1997 Wilson ..... D16/335
- D380,487 S \* 7/1997 Nevitt ..... D16/323
- D417,462 S \* 12/1999 Chang ..... D16/327
- D419,177 S \* 1/2000 Bolling ..... D16/336

(Continued)

*Primary Examiner* — Raphael Barkai

(74) *Attorney, Agent, or Firm* — Baker & Hostetler LLP

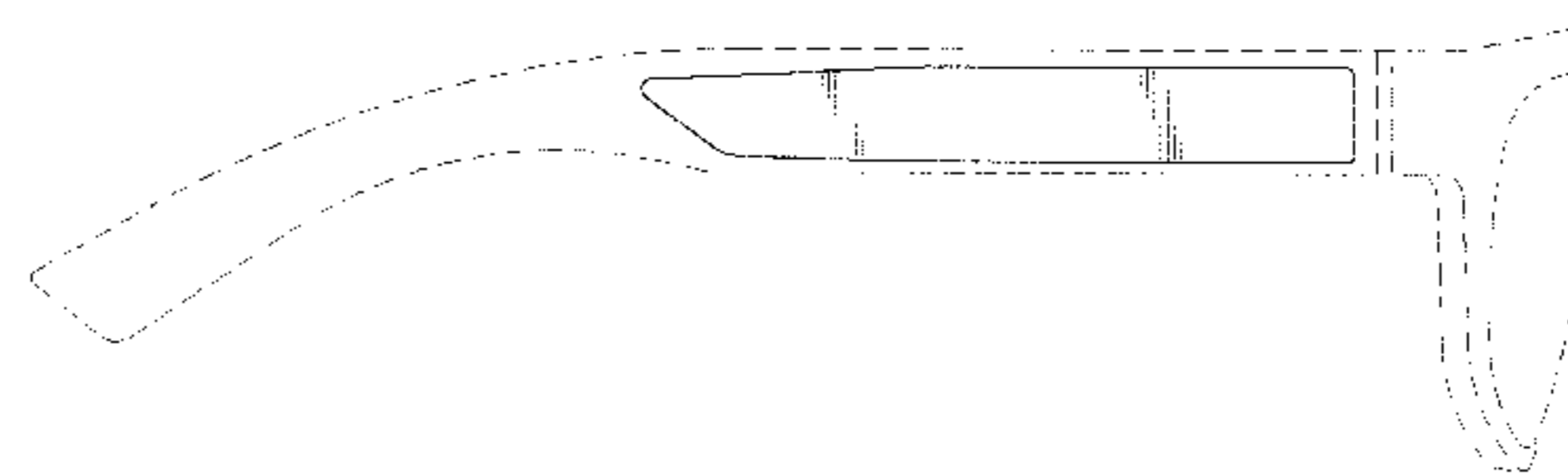
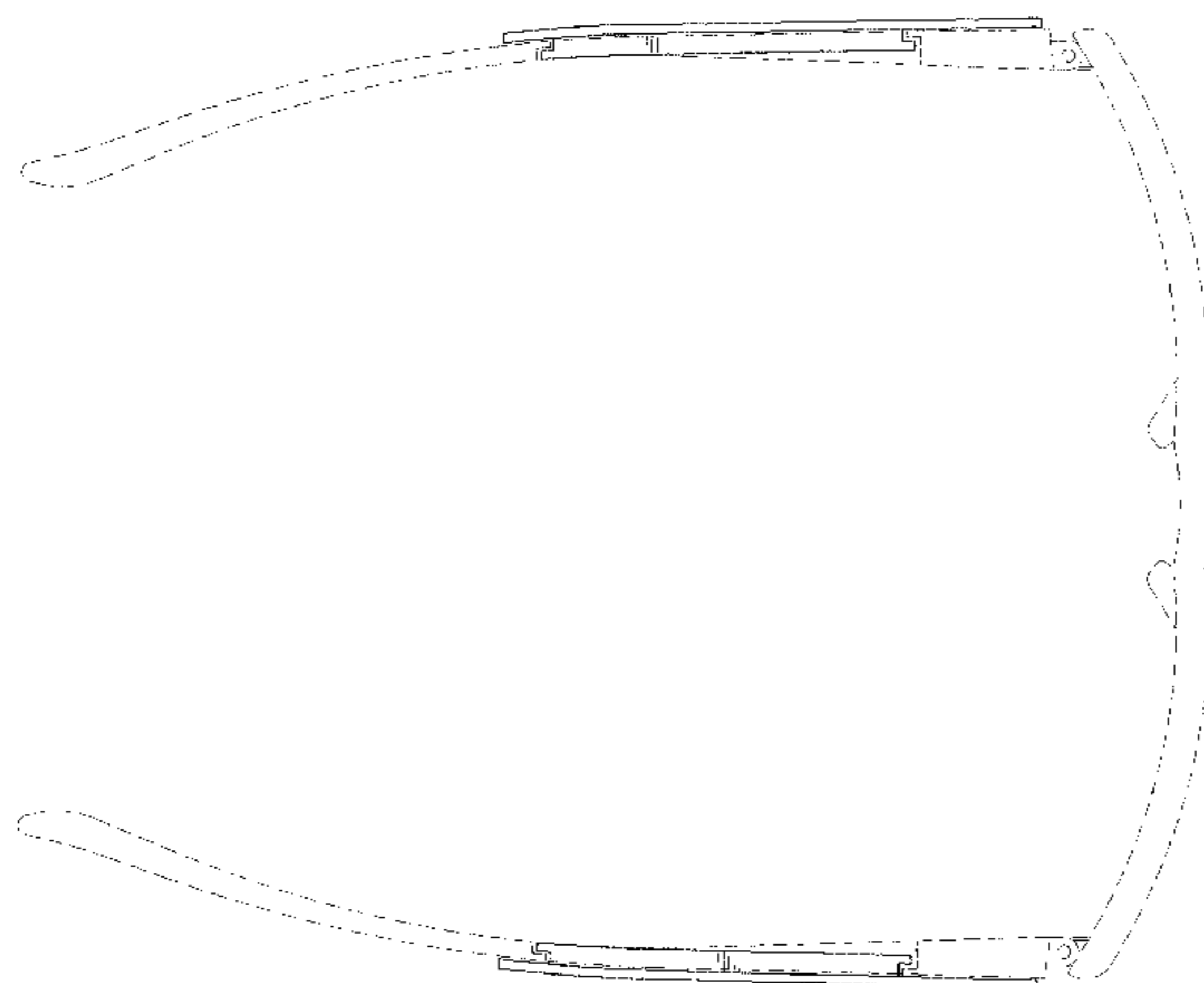
(57) **CLAIM**

The ornamental design for eyewear, sunglasses, as shown and described.

**DESCRIPTION**

FIG. 1 is a top plan view of eyewear, sunglasses;  
 FIG. 2 is a side elevation view of the eyewear, sunglasses of FIG. 1, the side view from an opposing view is the mirror image of the view of FIG. 2;  
 FIG. 3 a side elevation of the eyewear, sunglasses as shown in FIG. 2 with the clip/insert removed showing the cavity;  
 FIG. 4 is a perspective view of a clip/insert of the eyewear, sunglasses of FIG. 1;  
 FIG. 5 is another perspective of the clip/insert of the eyewear, sunglasses of FIG. 1;  
 FIG. 6 is a side elevation view of the clip/insert of the eyewear, sunglasses shown in FIG. 4;  
 FIG. 7 is a side elevation view of the clip/insert of the eyewear, sunglasses shown in FIG. 4, taken from an opposite view relative to FIG. 6;  
 FIG. 8 a top plan view of the clip/insert of the eyewear, sunglasses shown in FIG. 6;  
 FIG. 9 is an end view of the clip/insert of the eyewear, sunglasses shown in FIG. 6; and,  
 FIG. 10 is an end view of the portion of the portion of the eyewear, sunglasses shown in FIG. 6, taken from an opposite view relative to FIG. 9.  
 The portions of the drawings appearing in broken lines are for environment only and do not form a part of the claimed design.

**1 Claim, 4 Drawing Sheets**



(56)

References Cited

U.S. PATENT DOCUMENTS

6,076,927	A *	6/2000	Owens	.....	G02C 5/10	351/118	8,167,426	B2 *	5/2012	Lampru	.....	G02C 11/02	351/111
6,745,396	B1 *	6/2004	Landis	.....	A61F 9/045	2/12	8,201,938	B2 *	6/2012	Rhee	.....	G02C 11/02	351/111
7,172,279	B1 *	2/2007	Sohn	.....	G02C 11/12	2/13	D675,669	S *	2/2013	Johnson	.....	D16/335	
7,261,409	B1 *	8/2007	Taber	.....	G02C 11/02	351/51	D689,117	S *	9/2013	Ho	.....	D16/323	
7,367,670	B2 *	5/2008	Duane	.....	G02C 5/143	351/121	8,651,659	B2 *	2/2014	Bertelli	.....	G02C 11/02	351/118
7,467,866	B2 *	12/2008	Chao	.....	G02C 11/02	351/51	D700,933	S *	3/2014	Shin	.....	D16/326	
7,677,721	B2 *	3/2010	Siu	.....	G02C 5/146	351/51	D722,639	S *	2/2015	Ho	.....	D16/335	
7,726,806	B2 *	6/2010	Boulas	.....	G02C 11/02	351/51	D741,399	S *	10/2015	Ho	.....	D16/335	
7,784,935	B2 *	8/2010	Jackson	.....	G02C 11/10	351/121	D745,084	S *	12/2015	Blum	.....	D16/330	
7,891,807	B2 *	2/2011	Mansuy	.....	G02C 5/008	351/51	2008/0259269	A1 *	10/2008	Grogan	.....	G02C 11/02	351/52
7,997,724	B1 *	8/2011	Hsu	.....	G02C 11/04	351/121	2009/0122253	A1 *	5/2009	Clay	.....	G02C 11/02	351/52
							2010/0002186	A1 *	1/2010	Zelman	.....	G02C 11/02	351/52
							2011/0116032	A1 *	5/2011	Brousseau	.....	G02C 5/126	351/52
							2011/0213664	A1 *	9/2011	Osterhout	.....	G02B 27/017	705/14.58
							2012/0075571	A1 *	3/2012	Silver	.....	G02C 11/02	351/52
							2012/0133883	A1 *	5/2012	Mezher	.....	G02C 11/02	351/52

\* cited by examiner

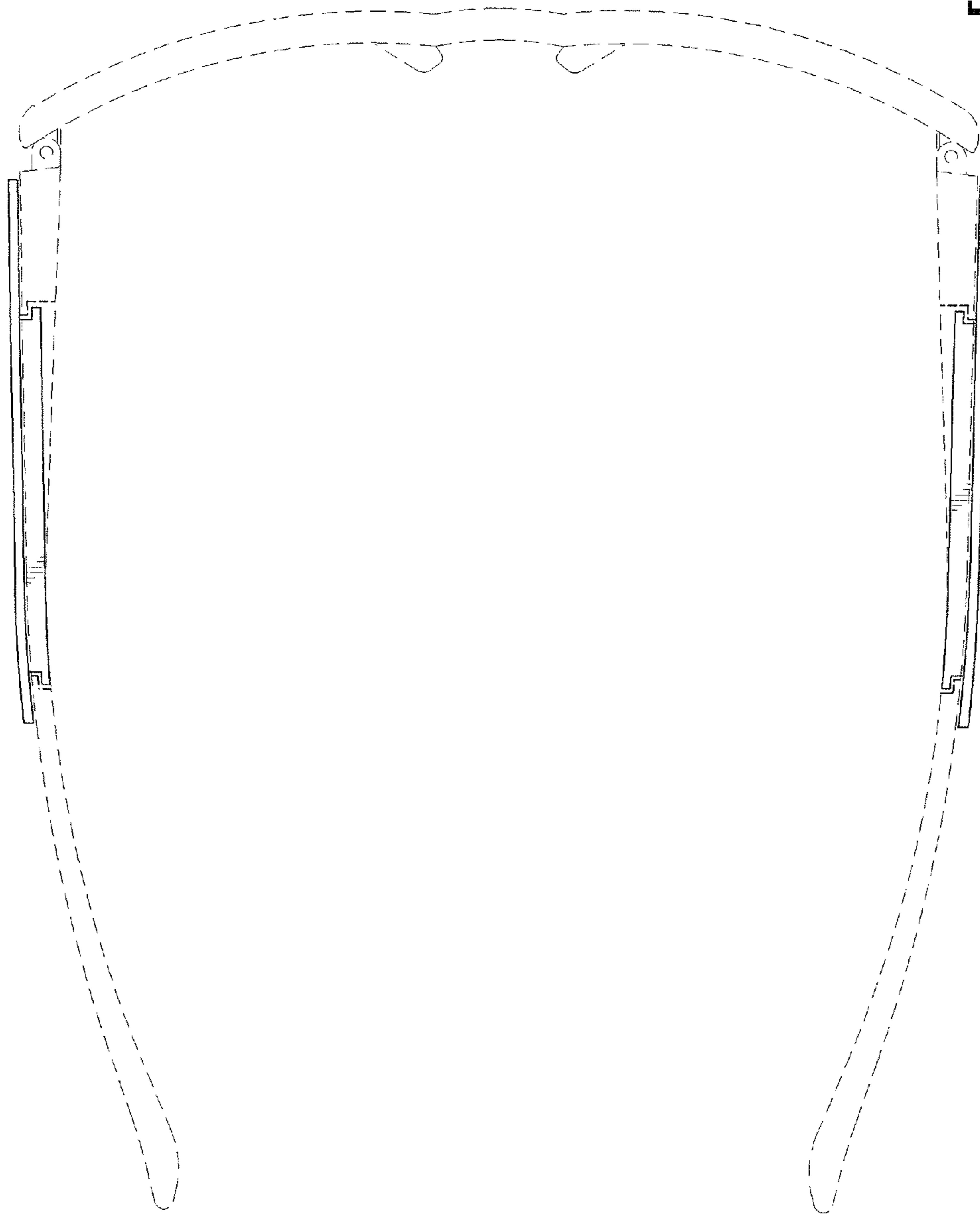
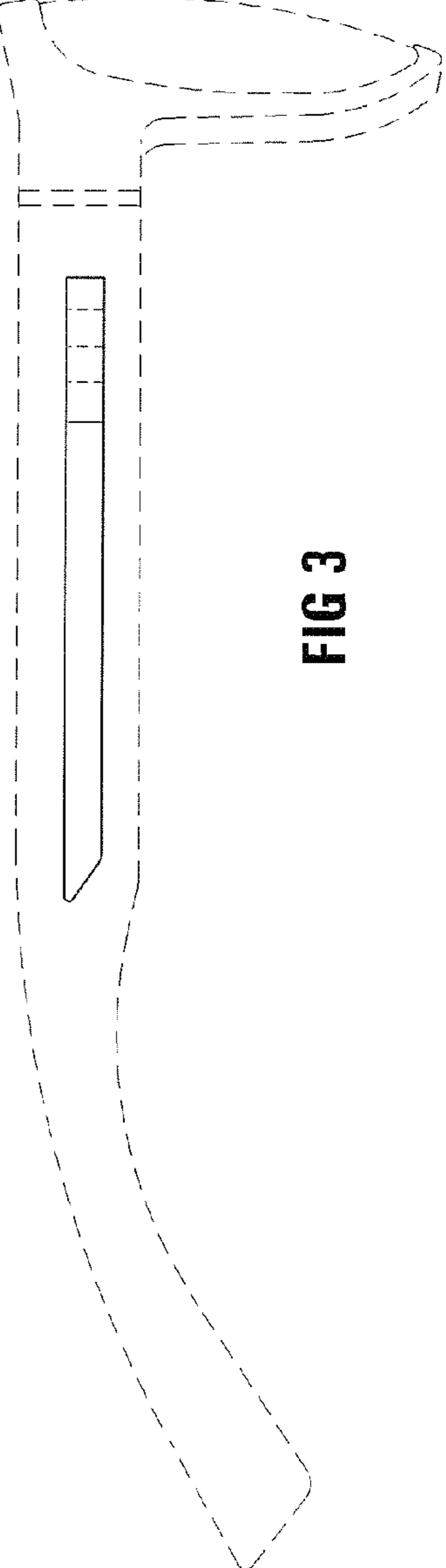
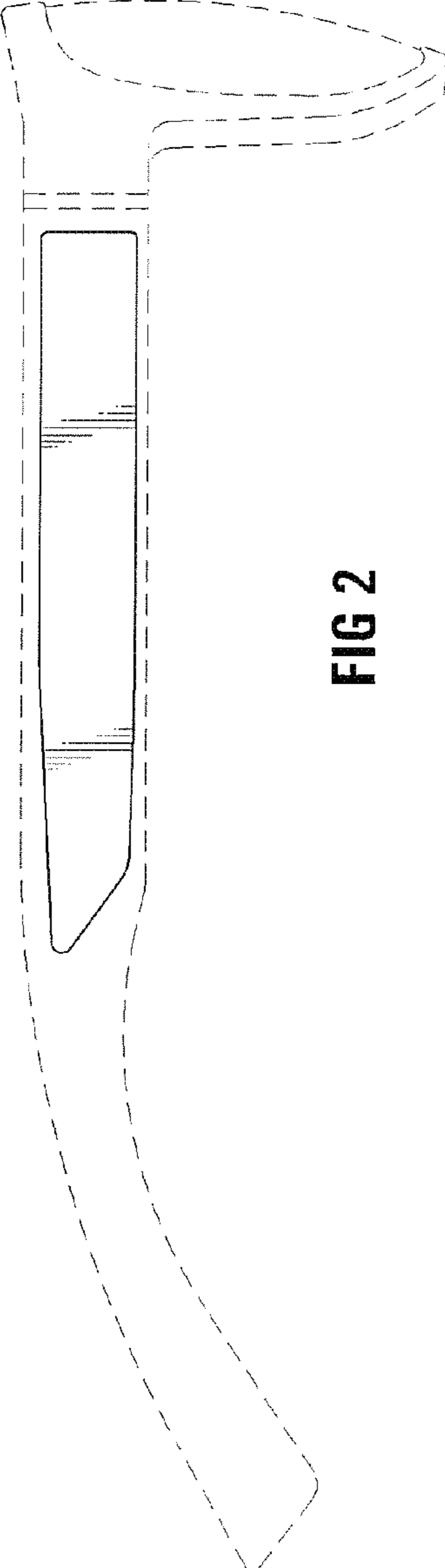
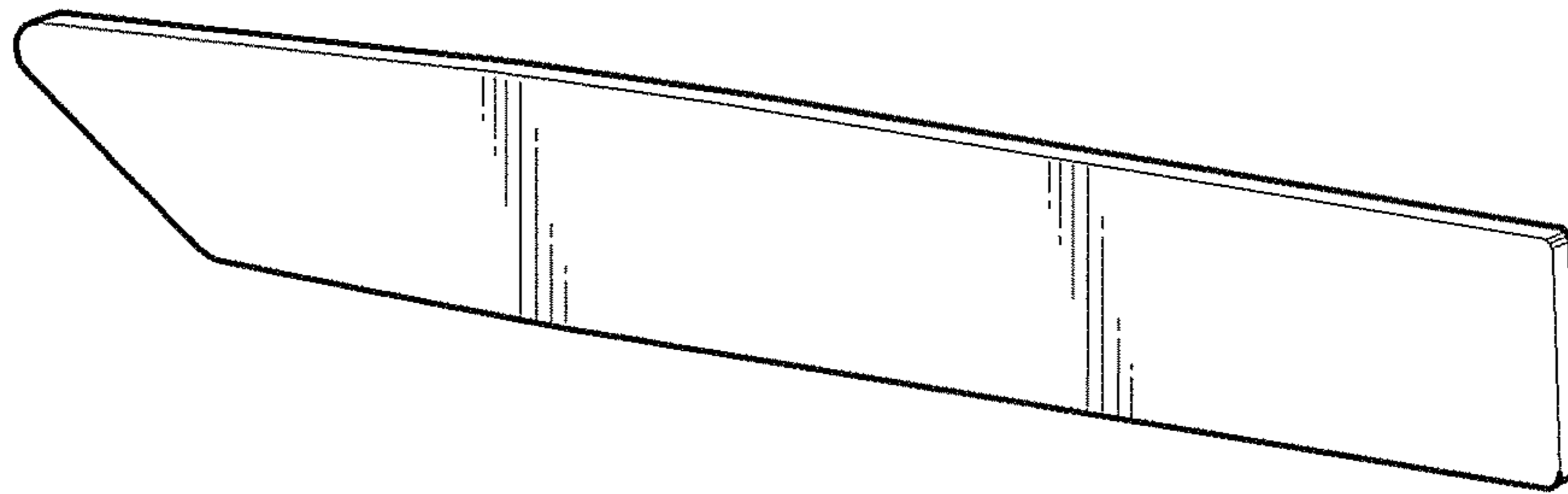
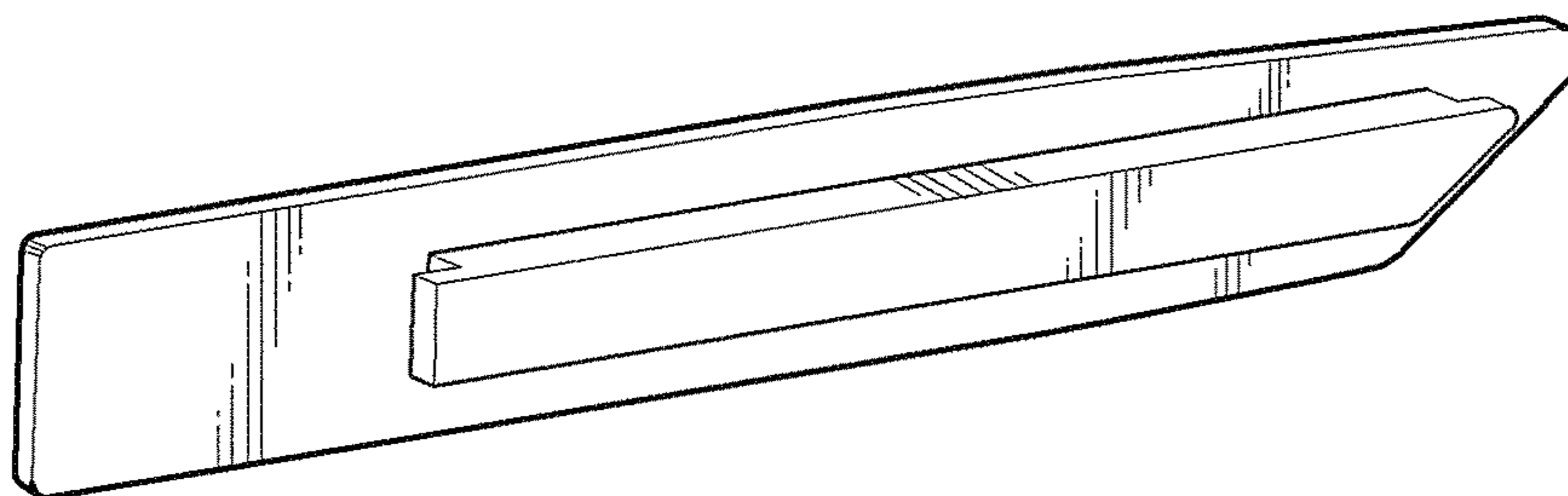


FIG 1





**FIG 4**



**FIG 5**



FIG 6

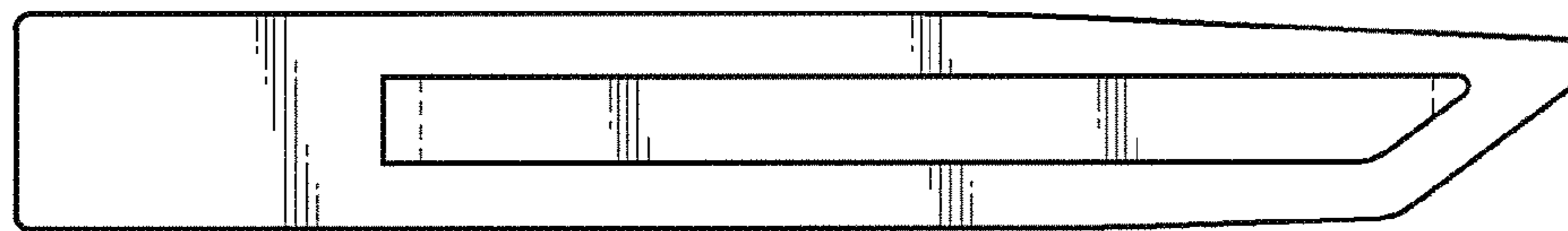


FIG 7

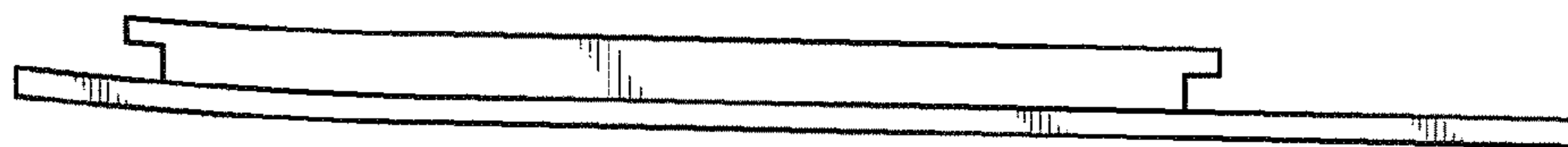


FIG 8

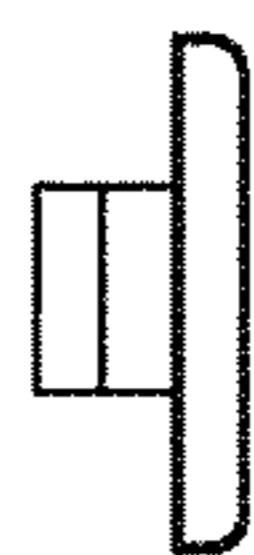


FIG 9



FIG 10