



US00D765758S

(12) **United States Design Patent** (10) **Patent No.:** **US D765,758 S**
Li (45) **Date of Patent:** **** Sep. 6, 2016**

(54) **SKI GOGGLE FRAME**
(71) Applicant: **BORRION ENTERPRISE CO., LTD.,**
Tainan (TW)
(72) Inventor: **Huei-Lung Li, Tainan (TW)**
(73) Assignee: **BORRION ENTERPRISE CO., LTD.,**
Tainan (TW)
(**) Term: **15 Years**
(21) Appl. No.: **29/531,917**
(22) Filed: **Jun. 30, 2015**
(30) **Foreign Application Priority Data**

6,009,564 A * 1/2000 Tackles A61F 9/02
2/436
D427,225 S * 6/2000 Arnette D16/312
D428,906 S * 8/2000 Bolle D16/312
D442,206 S * 5/2001 Meyerhoffer D16/312
D488,182 S * 4/2004 Sheldon D16/312
D496,957 S * 10/2004 Bonnemere D16/312
D505,444 S * 5/2005 Borlet D16/312
6,938,277 B2 * 9/2005 Lindahl A61F 9/025
2/434
D523,889 S * 6/2006 Chen D16/312
D542,326 S * 5/2007 Chiang D16/311
D542,327 S * 5/2007 Hsu D16/312
D542,829 S * 5/2007 Hsu D16/312
D542,830 S * 5/2007 Hsu D16/312
D544,900 S * 6/2007 Li D16/312
D551,278 S * 9/2007 Moritz D16/312
D559,299 S * 1/2008 Tabacchi D16/303
D578,562 S * 10/2008 Moritz D16/312

(Continued)

May 14, 2015 (TW) 104302590

(51) **LOC (10) Cl.** **16-06**
(52) **U.S. Cl.**

USPC **D16/312**

(58) **Field of Classification Search**

USPC D16/101, 300-342, 900; D29/109-110;
D21/483, 659-661; D14/372; 351/41,
351/44, 45-48, 51-52, 62, 158, 92,
351/103-123, 140-153, 63, 59; 2/13, 15,
2/426-432, 447-449, 441, 434-437
CPC G02C 2200/08; G02C 1/06; G02C 5/14;
G02C 11/02; G02C 11/04; G02C 5/16;
G02C 2200/22; G02C 5/146; G02C 5/2254;
G02C 5/008; G01C 5/16; A61M 2021/0044;
A63B 33/002
See application file for complete search history.

(56) **References Cited**

U.S. PATENT DOCUMENTS

D364,181 S * 11/1995 Arnette D16/312
5,815,235 A * 9/1998 Runckel A61F 9/027
351/86
D403,689 S * 1/1999 Mage D16/312
D413,915 S * 9/1999 Newcomb D16/312

Primary Examiner — Rosemary K Tarcza

Assistant Examiner — Sanjeev Paul

(74) *Attorney, Agent, or Firm* — Muncy, Geissler, Olds & Lowe, P.C.

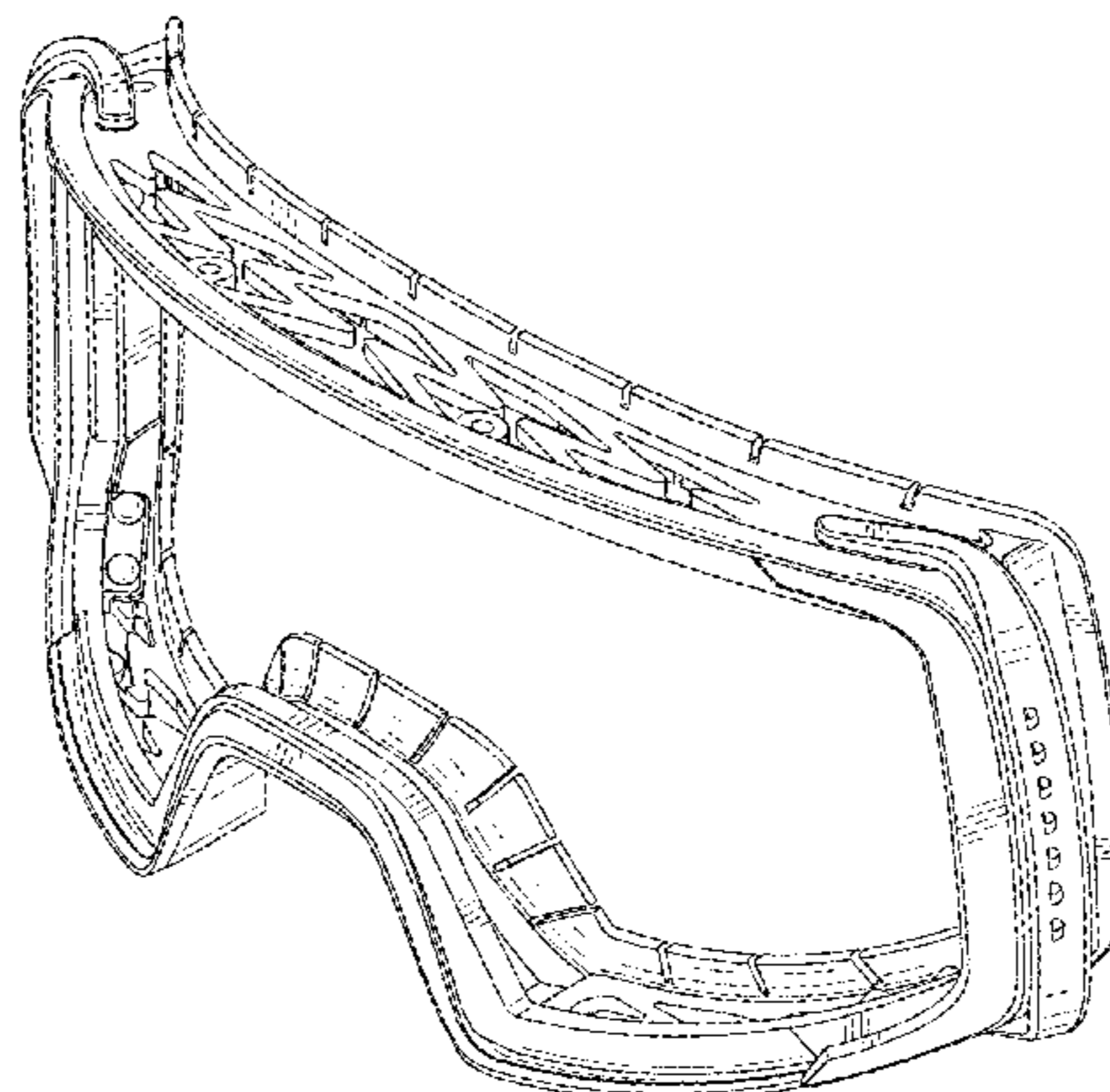
(57) **CLAIM**

I claim, the ornamental design for a ski goggle frame, as shown and described.

DESCRIPTION

FIG. 1 is a perspective view of a ski goggle frame showing my present design;
FIG. 2 is a front view thereof;
FIG. 3 is a rear view thereof;
FIG. 4 is a left view thereof;
FIG. 5 is a right view thereof;
FIG. 6 is a top plan view thereof;
FIG. 7 is a bottom plan view thereof; and,
FIG. 8 is a perspective view thereof, shown in a state of use. The broken lines shown in FIG. 8 are for the purpose of illustrating environmental structure, and form no part of the claimed design.

1 Claim, 7 Drawing Sheets



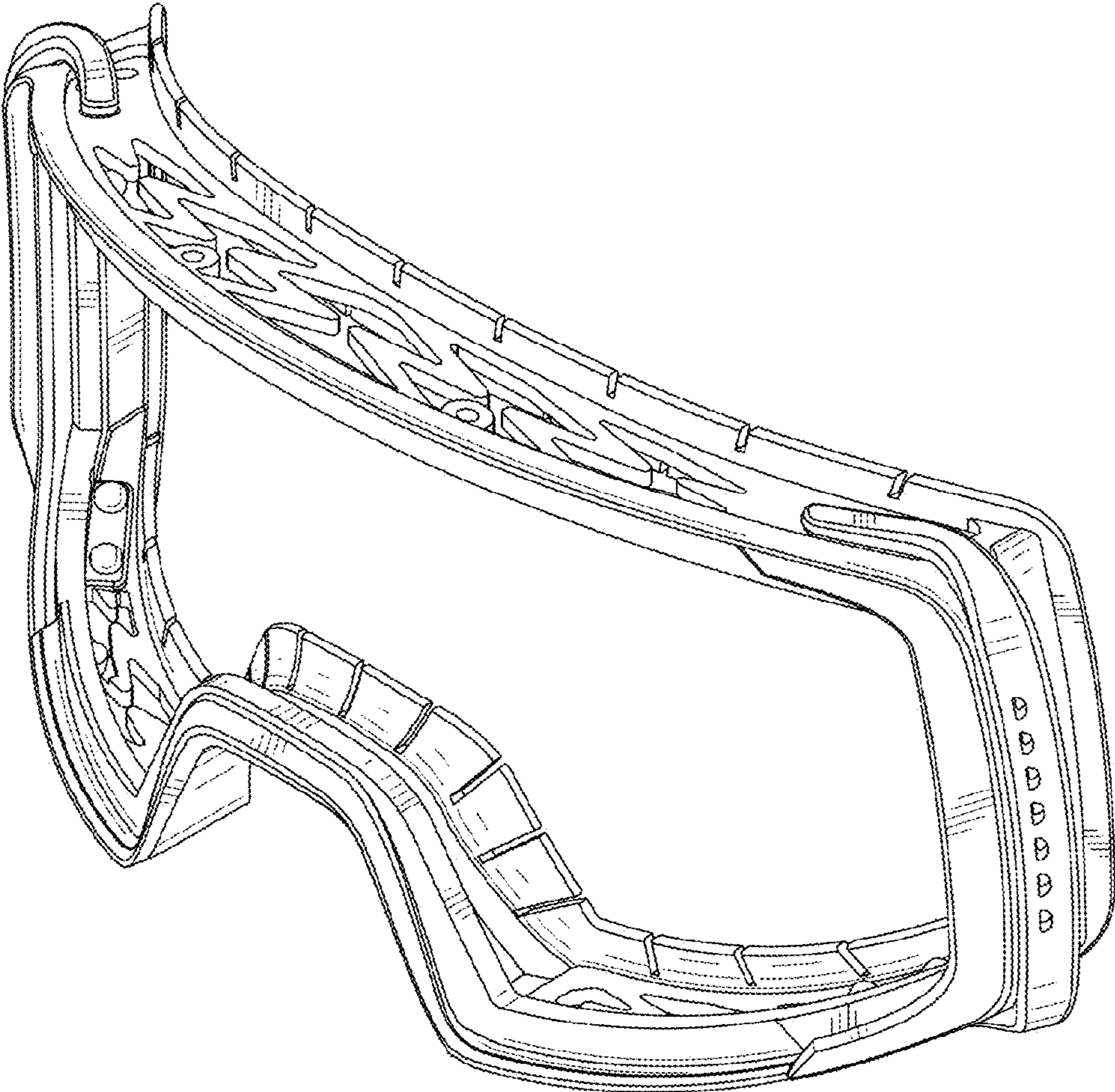


FIG . 1

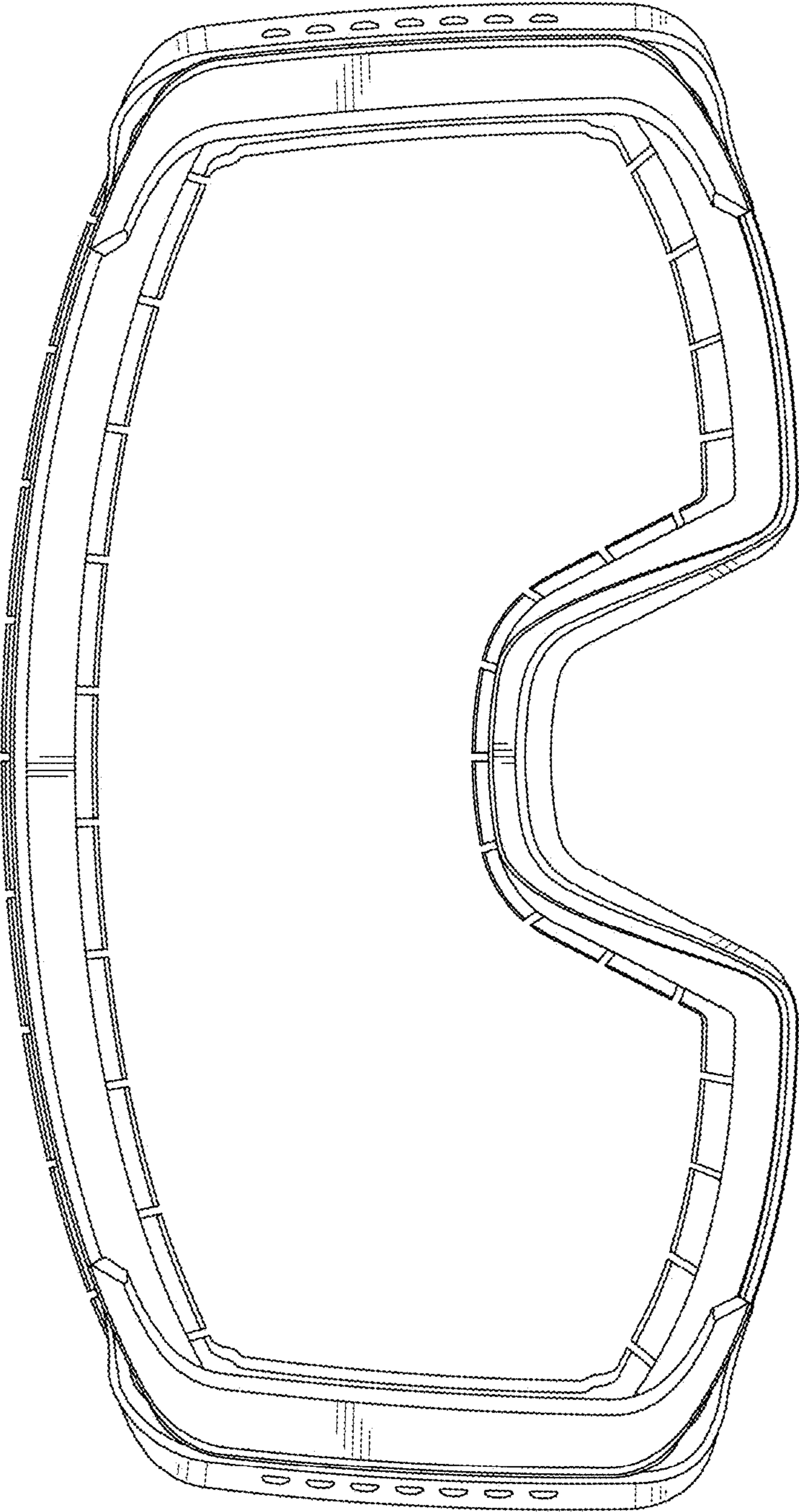


FIG. 2

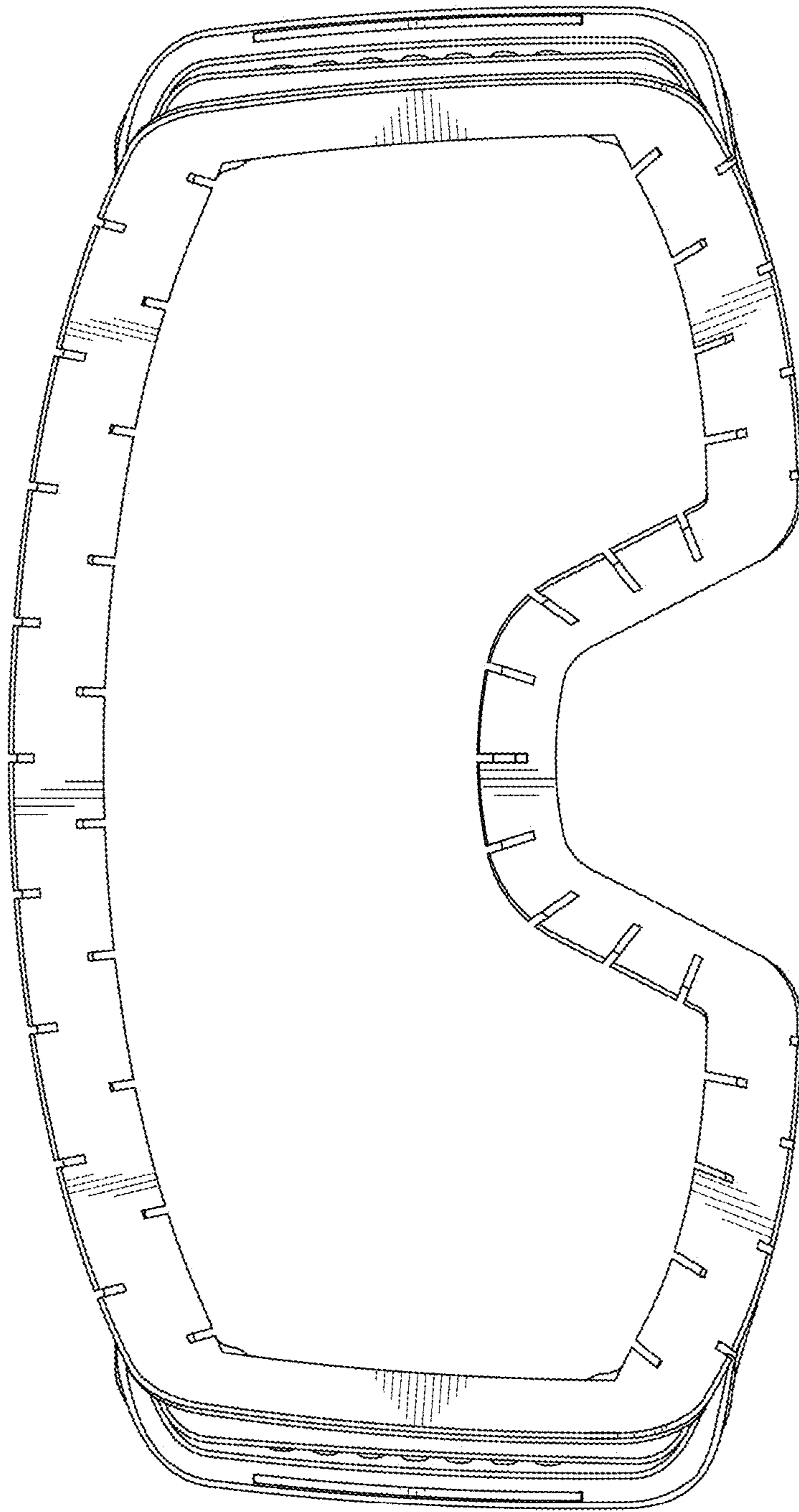


FIG. 3

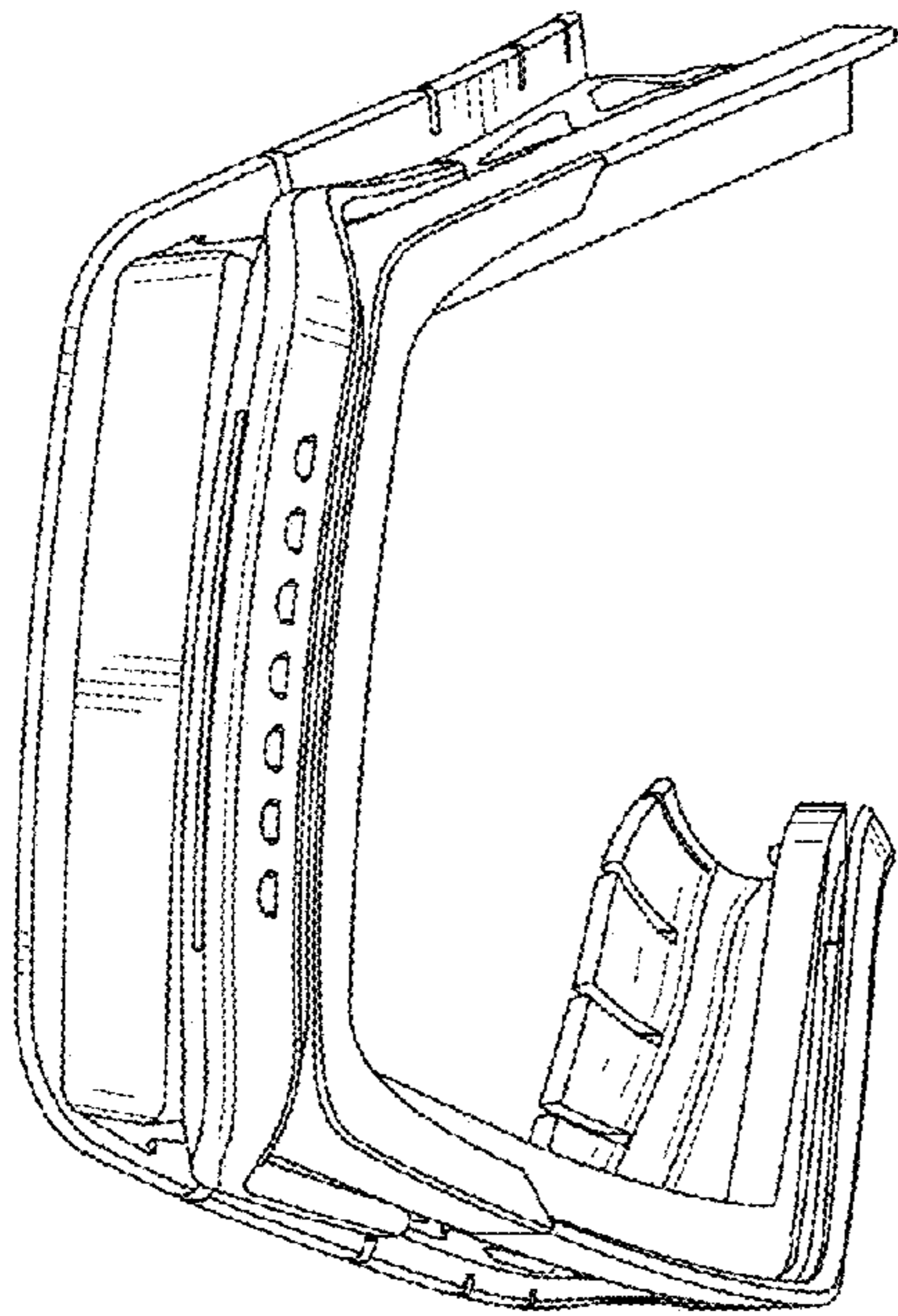


FIG. 4

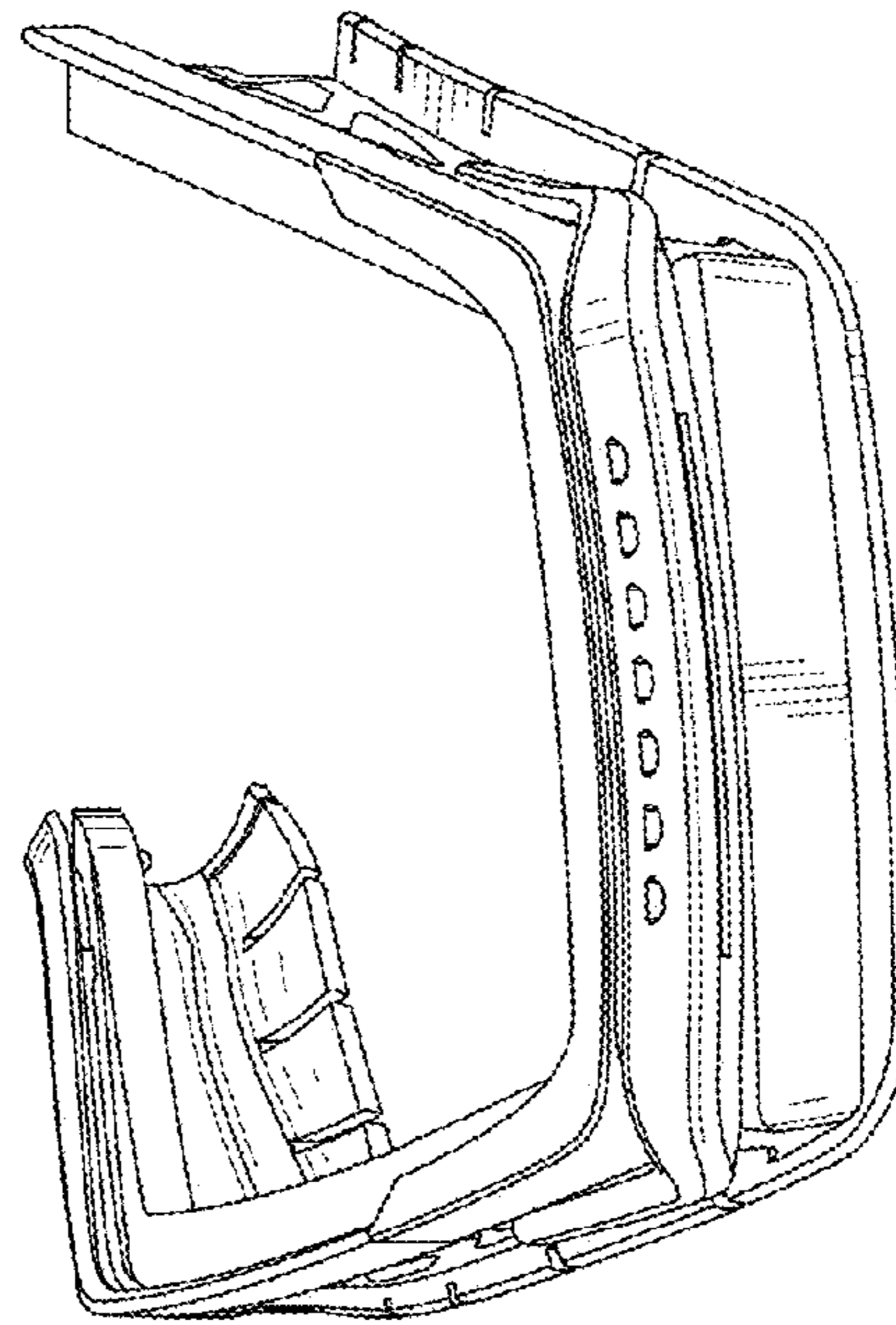


FIG. 5

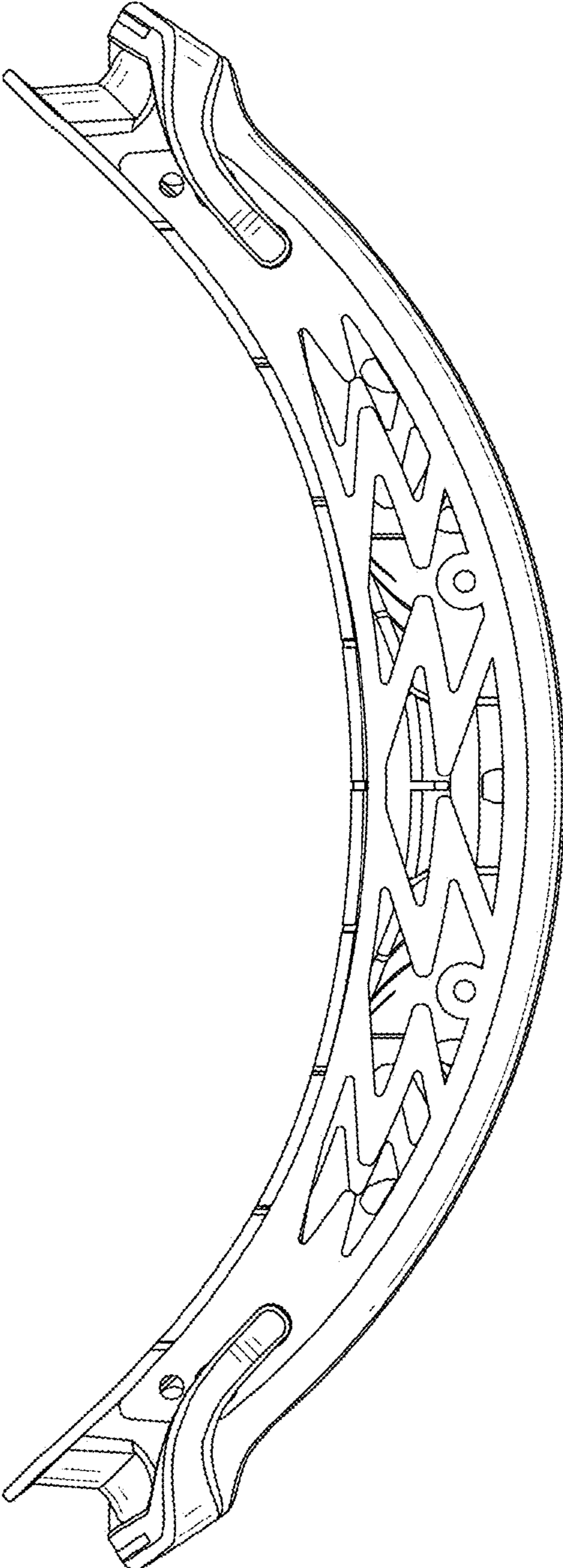


FIG. 6

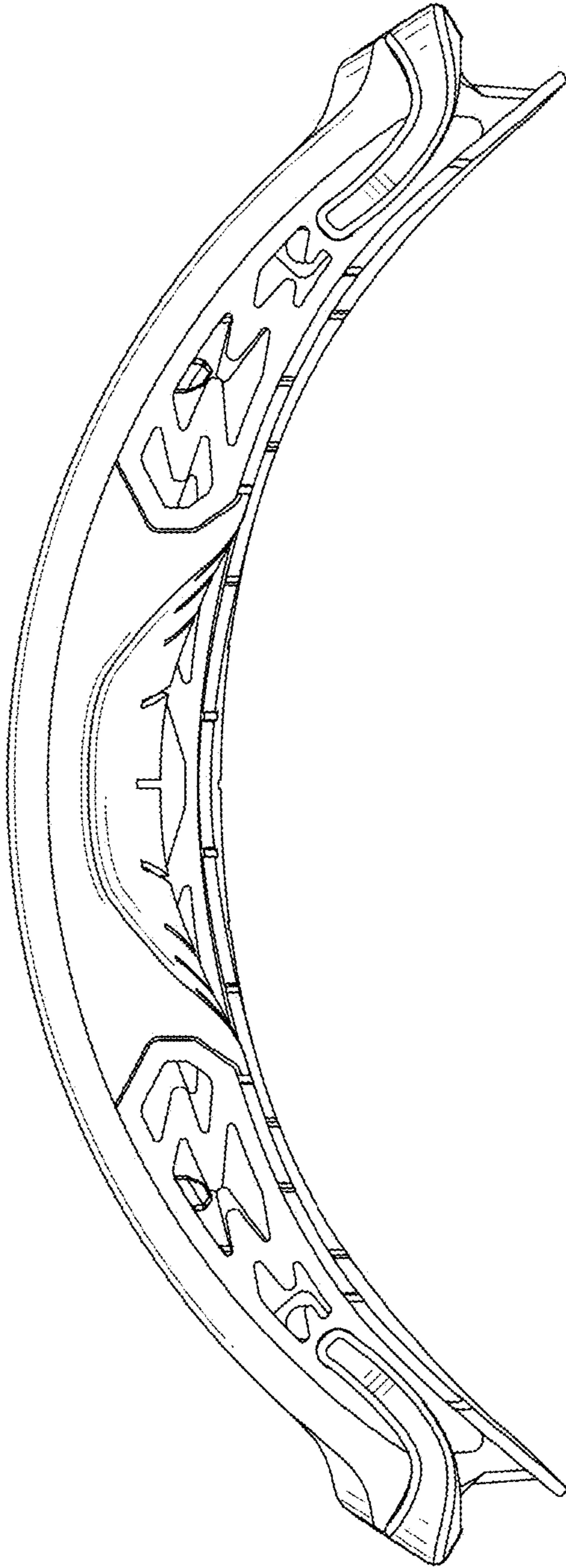


FIG. 7

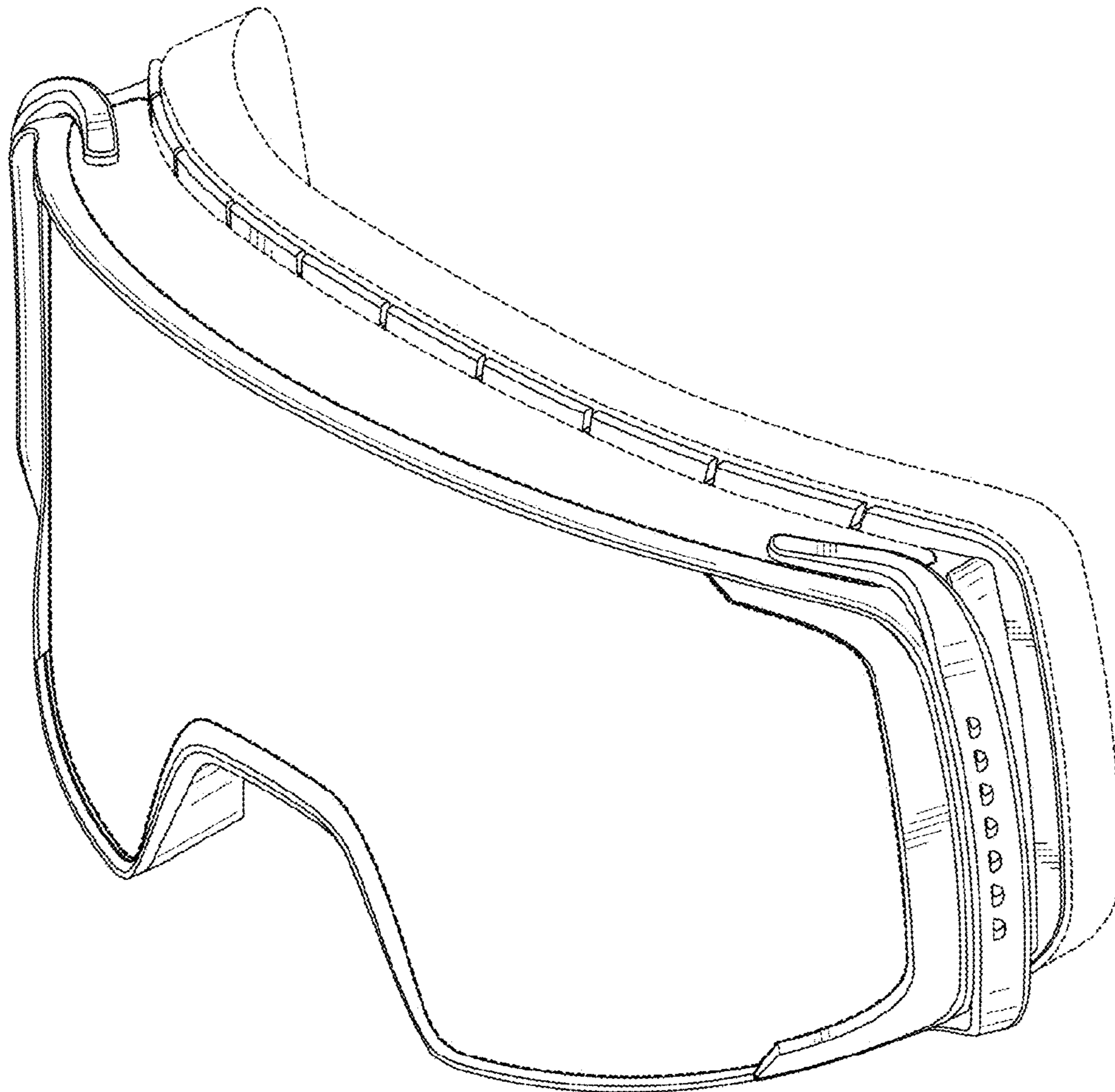


FIG. 8