



US00D765756S

(12) **United States Design Patent**
Liu

(10) **Patent No.:** **US D765,756 S**

(45) **Date of Patent:** **** Sep. 6, 2016**

(54) **MONITOR CAMERA**

(71) Applicant: **Masterwork Aoitek Tech Corp. Ltd.,**
Taipei (TW)

(72) Inventor: **Ming-Zhe Liu,** Taipei (TW)

(73) Assignee: **Masterwork Aoitek Tech Corp., LTD.,**
Taipei (TW)

(**) Term: **14 Years**

(21) Appl. No.: **29/526,102**

(22) Filed: **May 6, 2015**

(30) **Foreign Application Priority Data**

Jan. 7, 2015 (TW) 104300040

(51) **LOC (10) Cl.** **16-01**

(52) **U.S. Cl.**
USPC **D16/218; D16/203**

(58) **Field of Classification Search**
USPC D16/200, 202, 203, 208, 214, 218, 219;
248/160; 348/373-376; 396/427, 535,
396/540, 541

CPC G03B 15/00; G03B 15/03; G03B 15/06;
G03B 17/02; G03B 17/04; G03B 17/53;
G03B 17/56; H04N 5/2251; H04N 5/2252;
H04N 5/2253; H04N 5/2254

See application file for complete search history.

(56) **References Cited**

U.S. PATENT DOCUMENTS

D375,319 S * 11/1996 Johnson 248/160
6,411,332 B1 * 6/2002 Whitby H04N 5/2251
348/373

D511,352 S * 11/2005 Oliver D16/214
D537,856 S * 3/2007 Tsao D16/202
D569,887 S * 5/2008 Feng D16/202
D602,970 S * 10/2009 Lee D16/208
D729,296 S * 5/2015 Shelton D16/202
D741,935 S * 10/2015 Sundheim D16/208

* cited by examiner

Primary Examiner — Susan E Krakower

Assistant Examiner — Ramzi Almatrahi

(74) *Attorney, Agent, or Firm* — LeClairRyan

(57) **CLAIM**

The ornamental design for a monitor camera, as shown and described.

DESCRIPTION

FIG. 1 is a perspective view of a monitor camera showing my new design;

FIG. 2 is a front elevational view thereof;

FIG. 3 is a rear elevational view thereof;

FIG. 4 is a left side elevational view thereof;

FIG. 5 is a right side elevational view thereof;

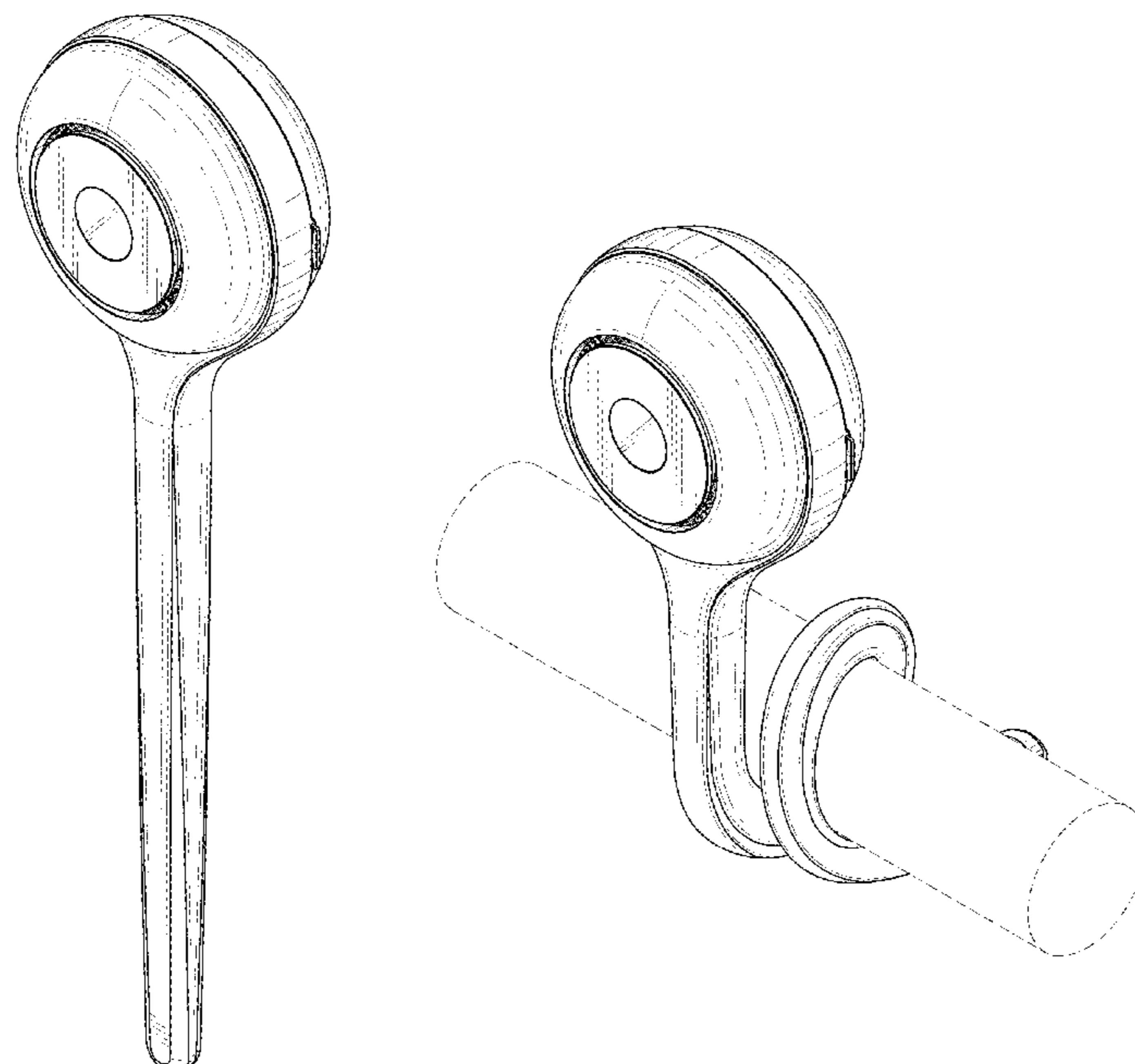
FIG. 6 is a top plan view thereof;

FIG. 7 is a bottom plan view thereof; and,

FIG. 8 is a perspective view of the monitor camera in use. The broken lines in FIGS. 3 & 7 depict portions of a monitor camera in which the design is embodied and form no part of the claimed design.

The broken lines shown in FIG. 8 are for illustrating environment structure only and form no part of the claimed design.

1 Claim, 7 Drawing Sheets



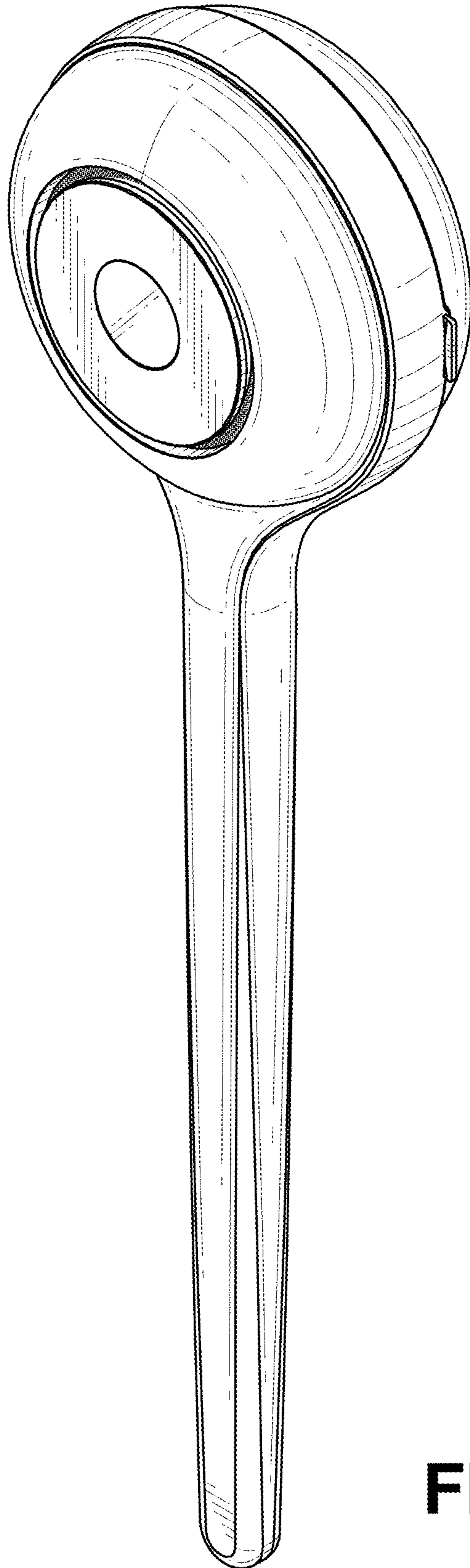


FIG. 1

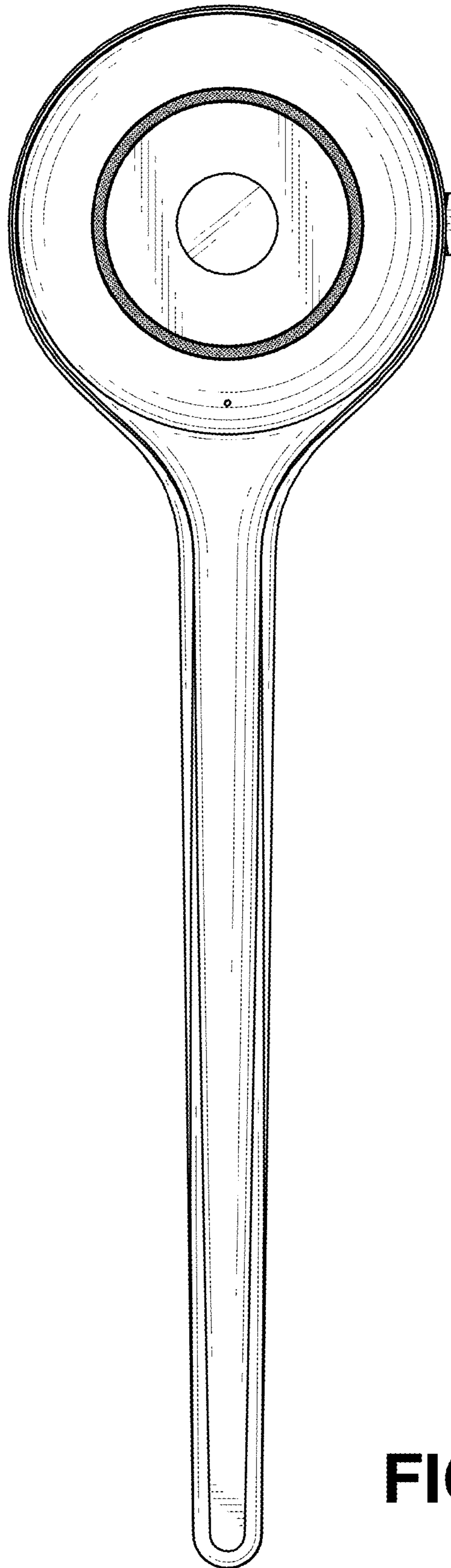


FIG. 2

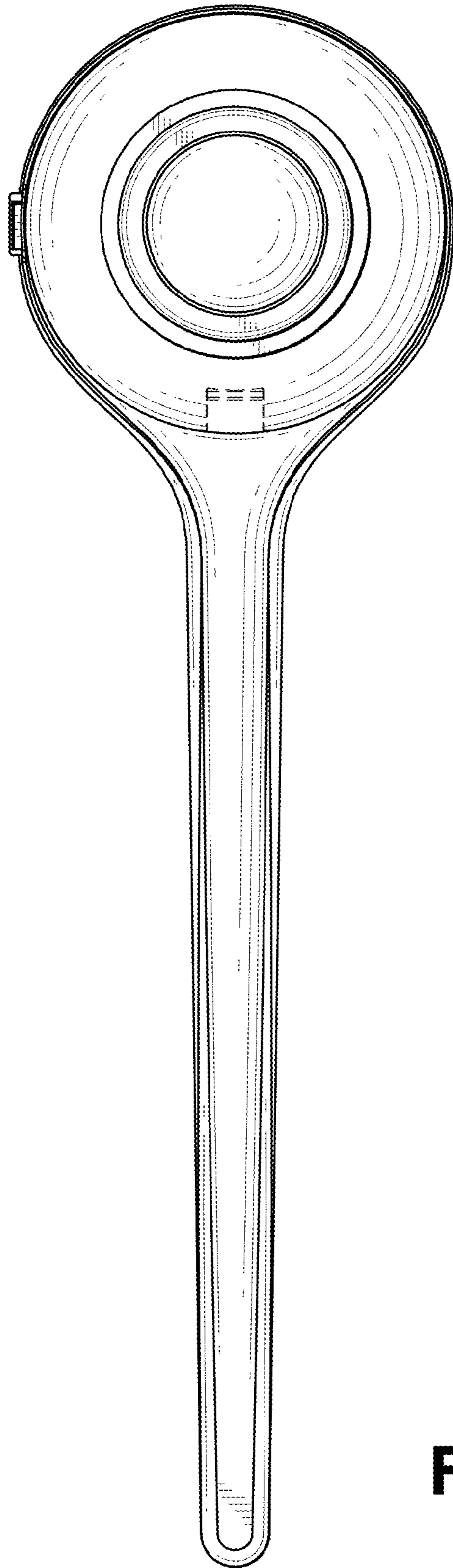


FIG. 3

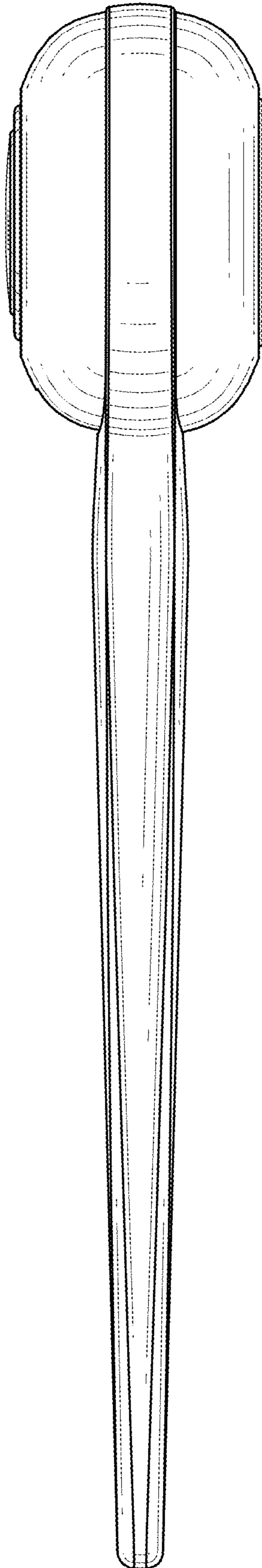


FIG. 4

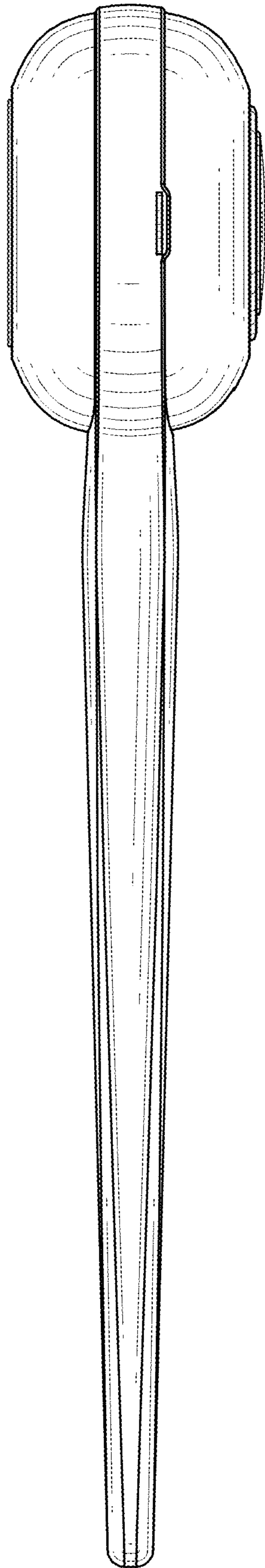


FIG. 5

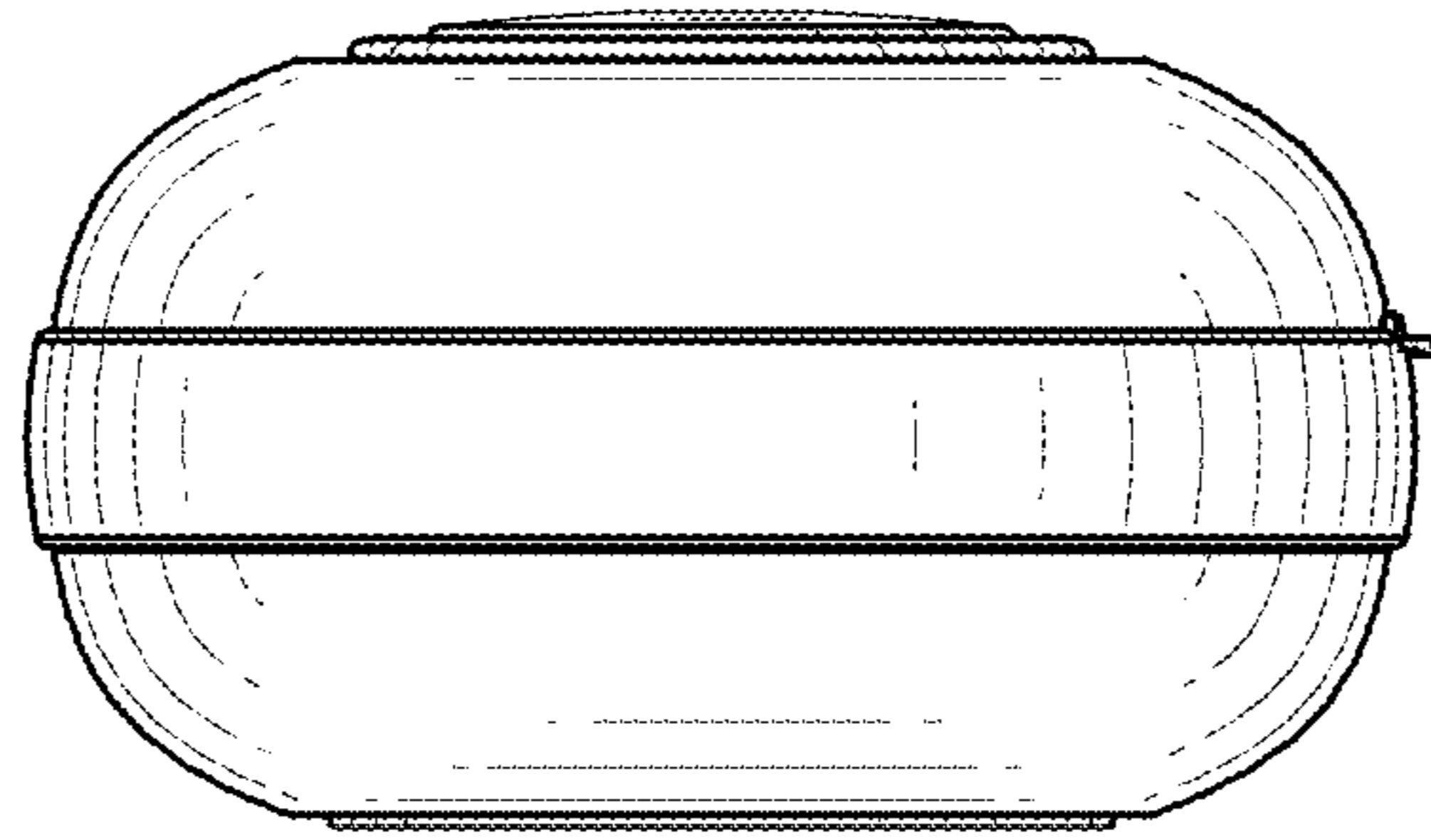


FIG. 6

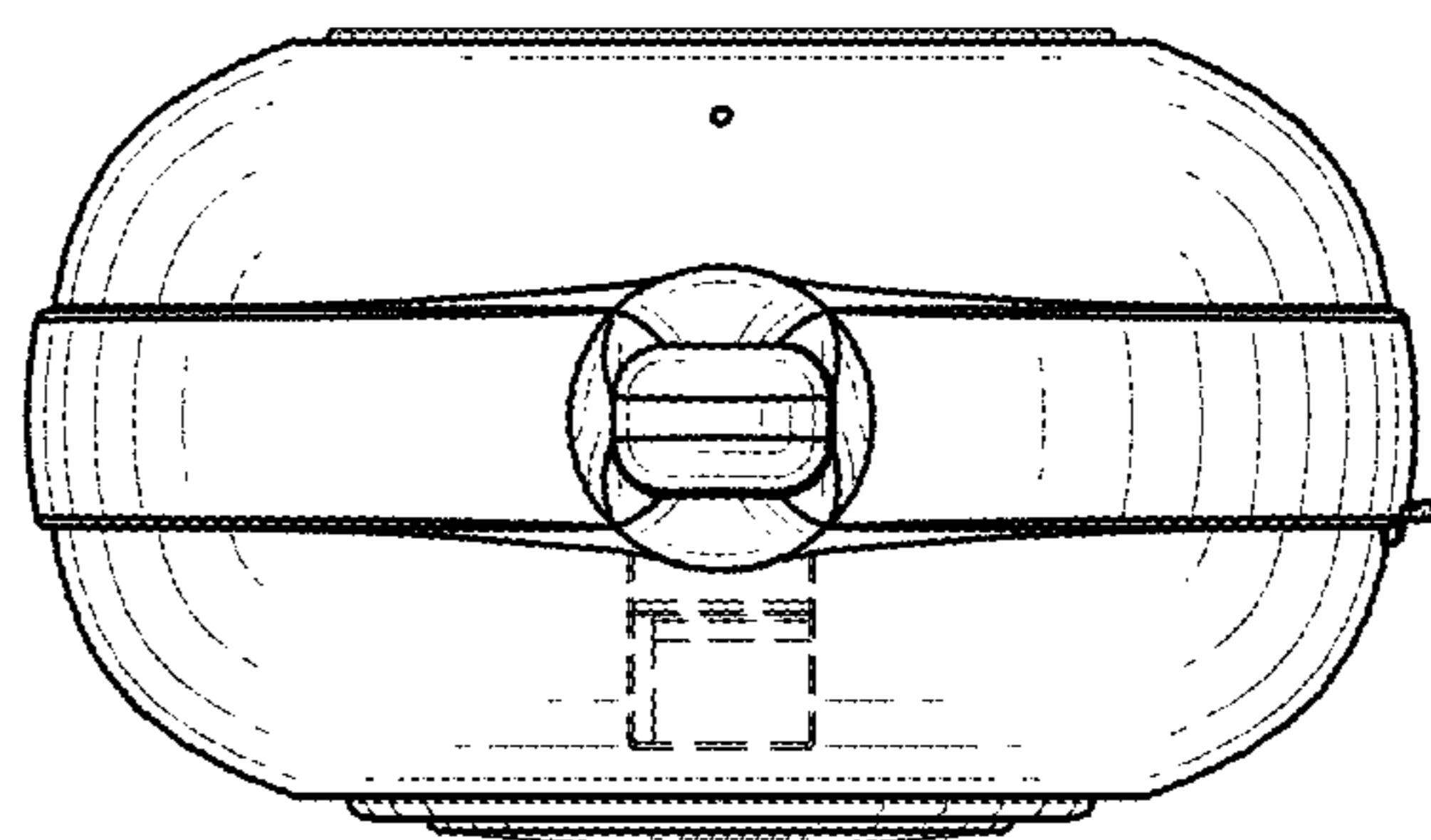


FIG. 7

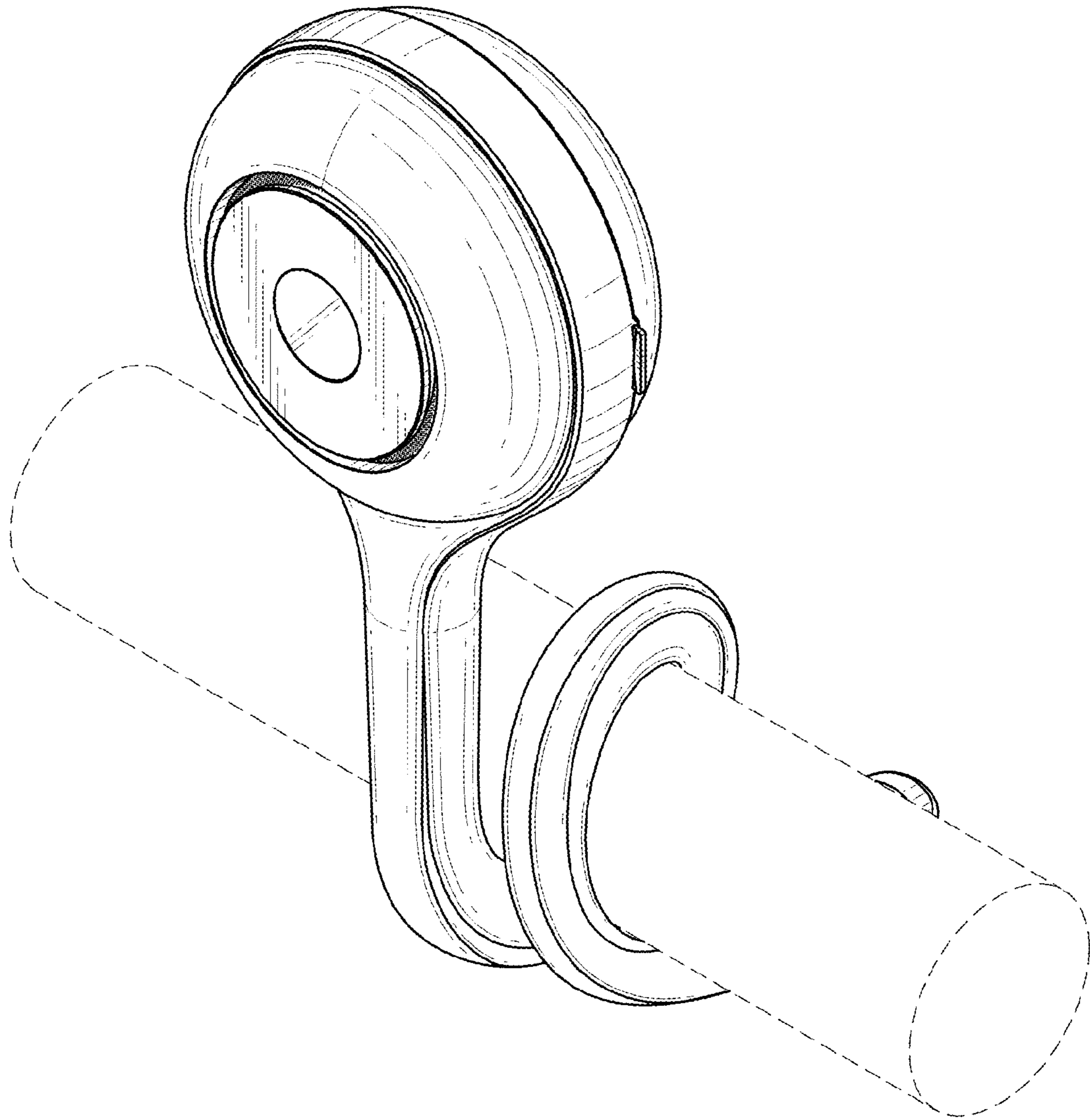


FIG. 8