



US00D765755S

(12) **United States Design Patent**
Pellegrino et al.

(10) **Patent No.:** **US D765,755 S**

(45) **Date of Patent:** **** Sep. 6, 2016**

(54) **DIGITAL CAMERA**

(71) Applicant: **Datalogic IP TECH S.r.l.**, Lippo di Calderara di Reno (IT)

(72) Inventors: **Luigi Pellegrino**, Nardò (IT); **Marco Bassani**, Lugo (IT); **Marco Giacomazzi**, Calderara di Reno (IT); **Silvia Marinoni**, Zola Pedosa (IT)

(73) Assignee: **Datalogic IP Tech S.r.l.** (IT)

(**) Term: **14 Years**

(21) Appl. No.: **29/466,040**

(22) Filed: **Sep. 4, 2013**

(30) **Foreign Application Priority Data**

Mar. 6, 2013 (EM) 002197715-0001
Mar. 6, 2013 (EM) 002197715-0007

(51) **LOC (10) Cl.** **16-01**

(52) **U.S. Cl.**
USPC **D16/202**

(58) **Field of Classification Search**
USPC D16/200-204, 208, 218, 219;
340/932.2, 933, 937; 348/143, 148,
348/151, 373-376; 396/419, 427, 428,
396/537-541
CPC G03B 15/03; G03B 17/02; G03B 17/04;
G03B 17/48; G03B 17/56; G03B 19/04;
G08G 1/0175; H04N 5/2251; H04N 5/2252;
H04N 5/2253; H04N 5/2254; H04N 2101/00
See application file for complete search history.

(56) **References Cited**

U.S. PATENT DOCUMENTS

D312,649 S * 12/1990 Sakuta D16/202

D387,789 S * 12/1997 Sumida D16/202
D460,773 S * 7/2002 Arbuckle D16/203
D472,259 S * 3/2003 Rupe D16/202
6,637,952 B2 * 10/2003 Arbuckle G03B 17/02
348/143
D563,444 S * 3/2008 Brickzin D16/202
D564,562 S * 3/2008 Honma D16/200
D643,452 S * 8/2011 Alm D16/200
D668,282 S * 10/2012 Ohno D16/203
D671,584 S * 11/2012 Ohno D16/202
8,427,540 B2 * 4/2013 Nakajima H04N 5/2253
348/151
D696,707 S * 12/2013 Guastadini D16/202
2013/0107110 A1 * 5/2013 Park H04N 5/2252
348/373

* cited by examiner

Primary Examiner — Susan E Krakower

Assistant Examiner — Ramzi Almatrahi

(74) *Attorney, Agent, or Firm* — Laubscher, Spendlove & Laubscher, P.C.

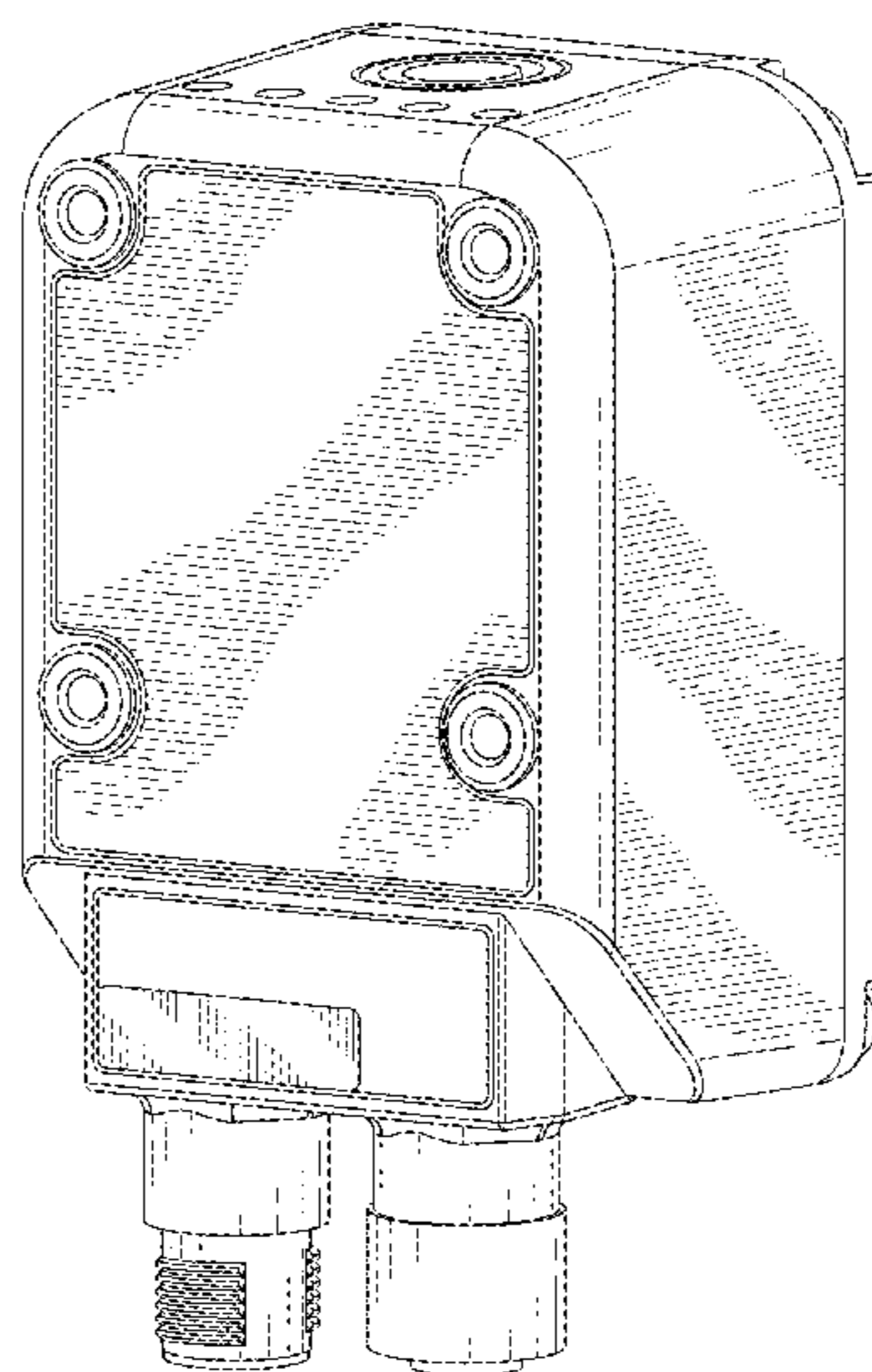
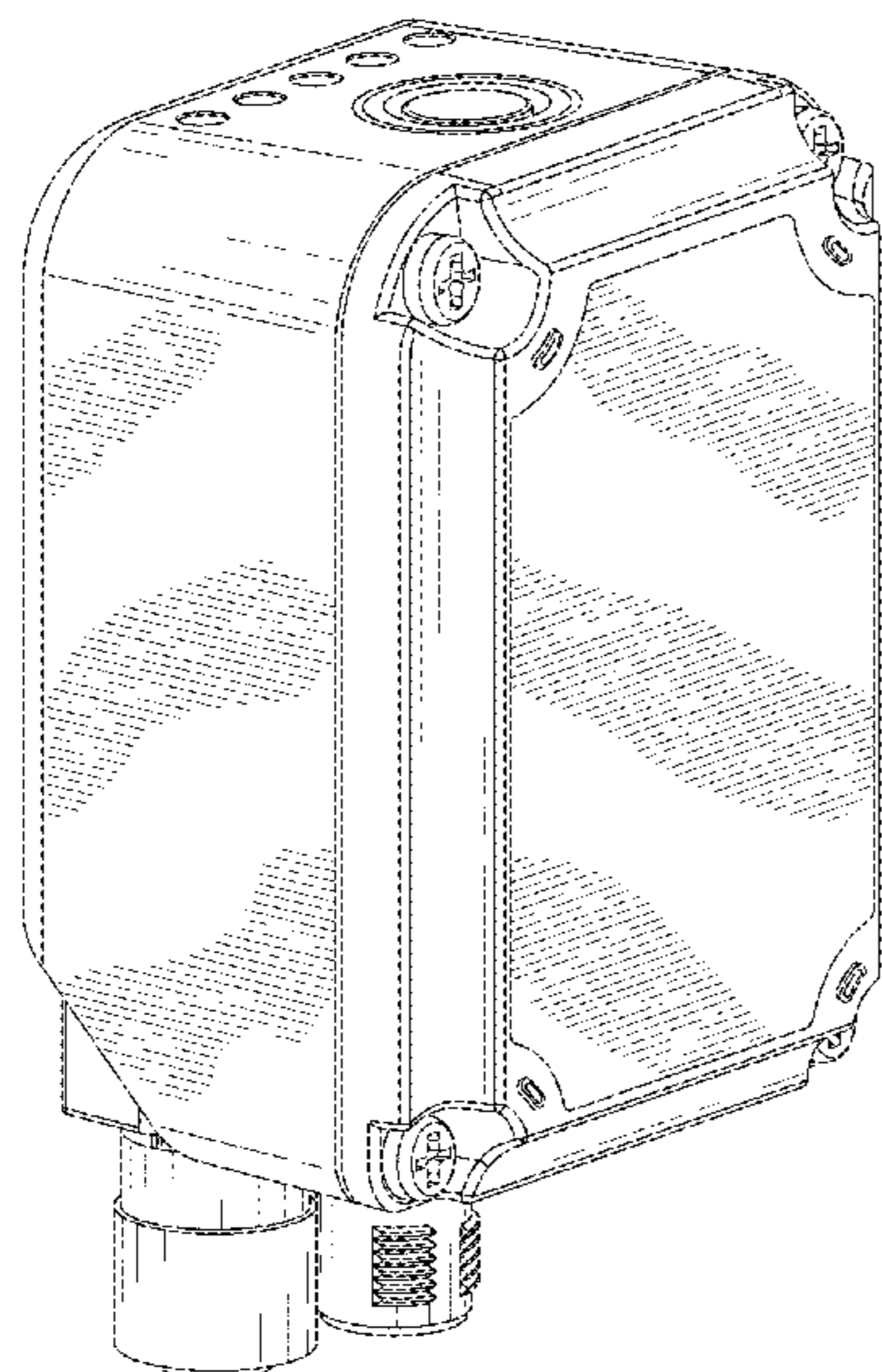
(57) **CLAIM**

The ornamental design for a digital camera, as shown.

DESCRIPTION

FIG. 1 is a front perspective view of a digital camera showing our new design;
FIG. 2 is a front elevation view thereof;
FIG. 3 is a bottom perspective view thereof;
FIG. 4 is a left side elevation view thereof;
FIG. 5 is a top plan view thereof;
FIG. 6 is a bottom plan view thereof; and,
FIG. 7 is a rear perspective view thereof.

1 Claim, 6 Drawing Sheets



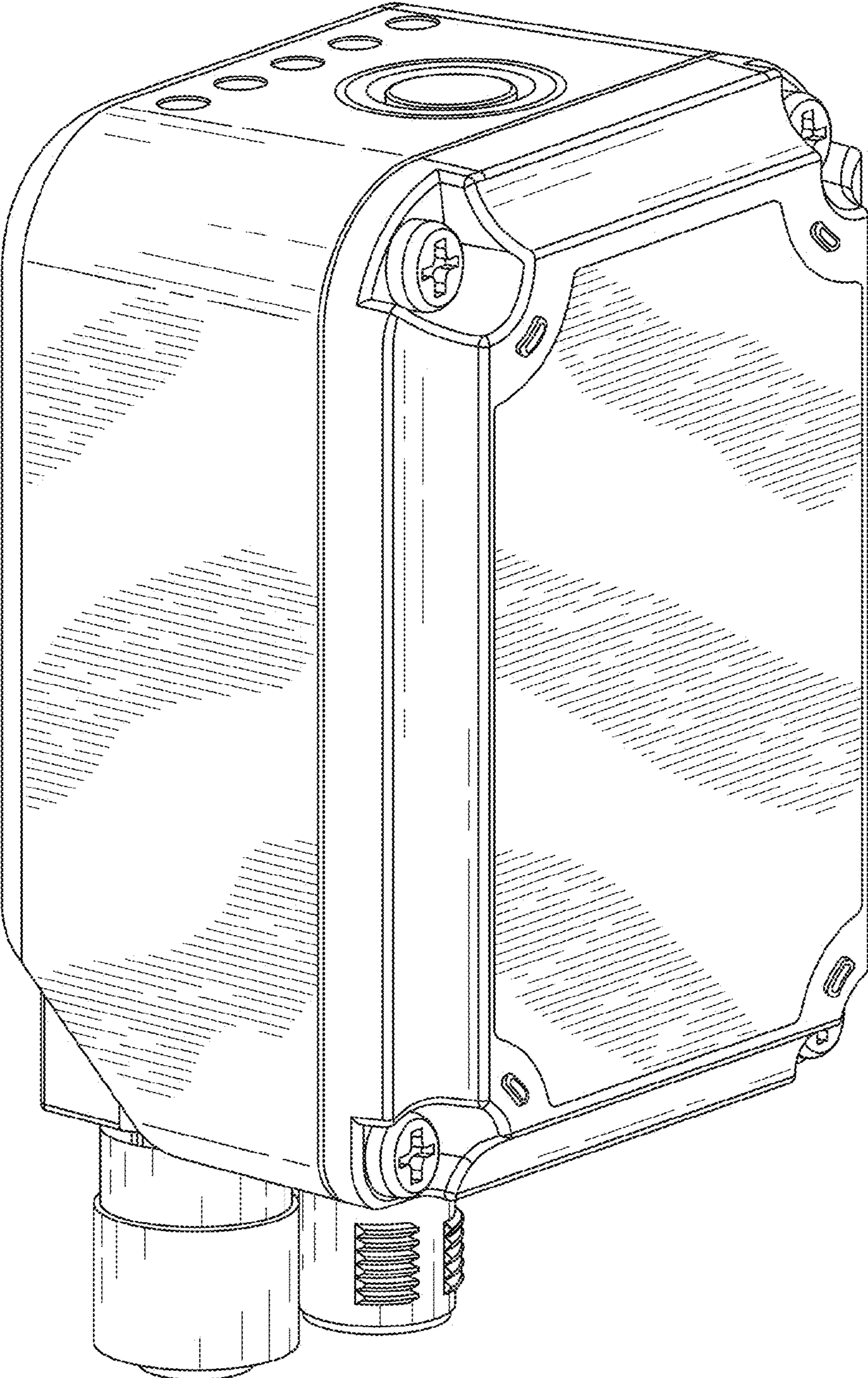


FIG. 1

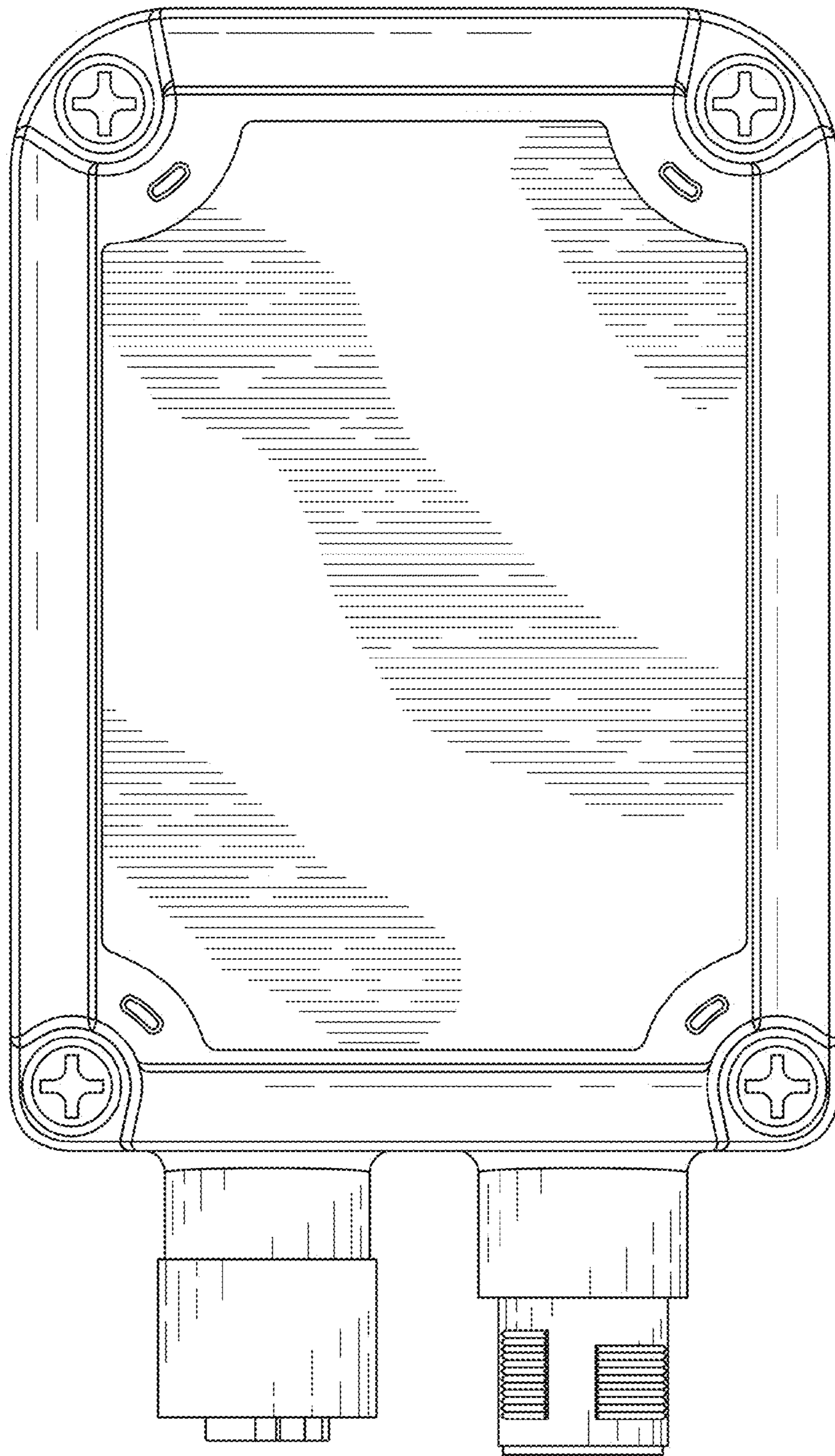


FIG. 2

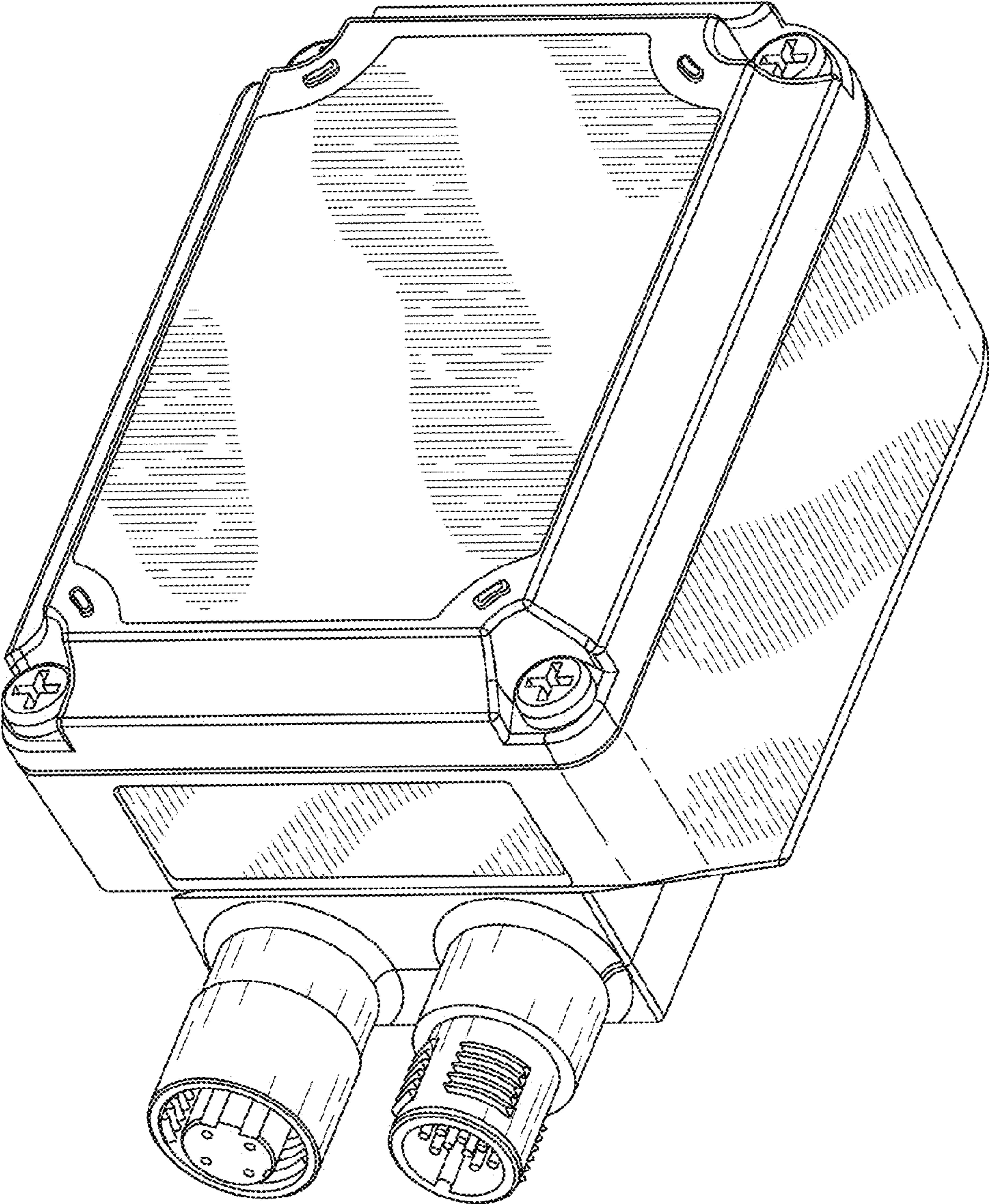


FIG. 3

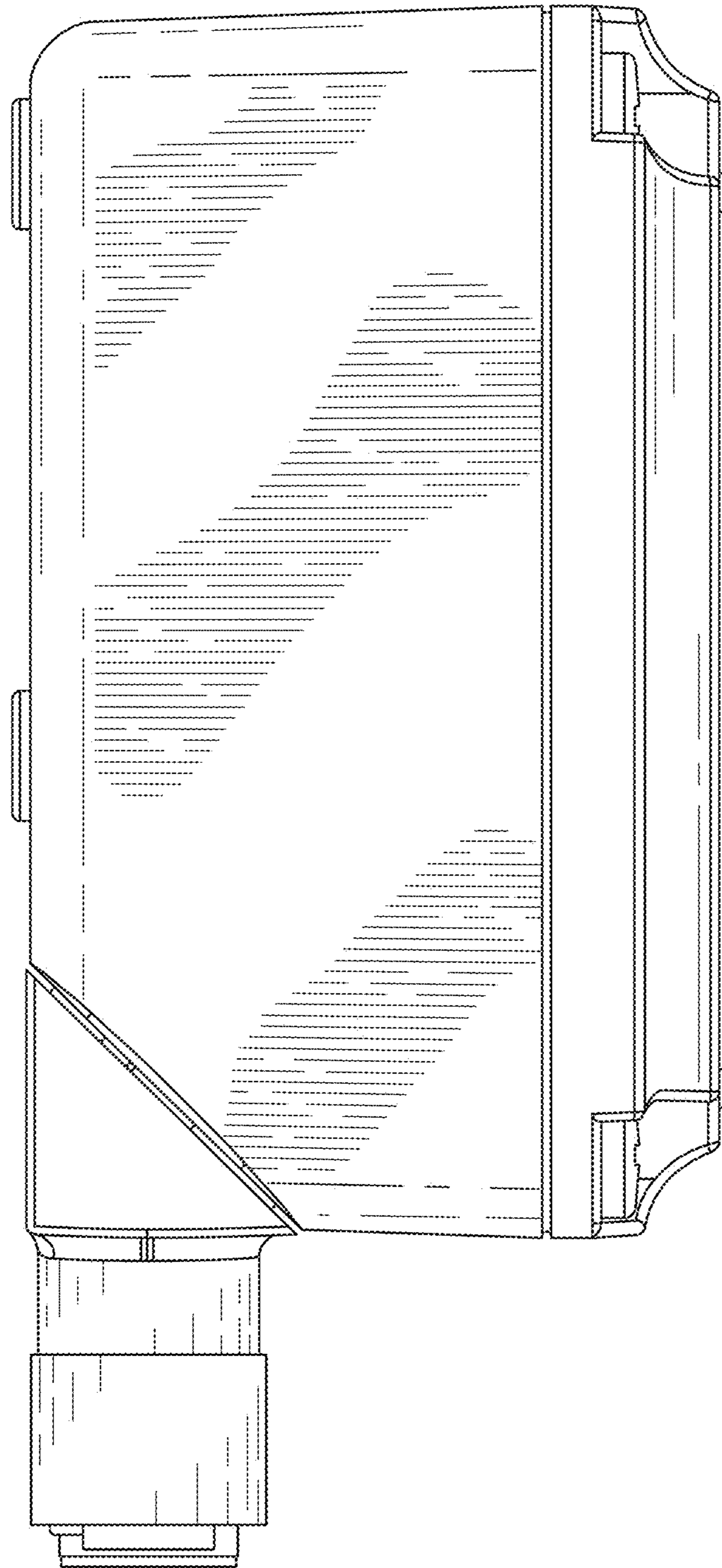


FIG. 4

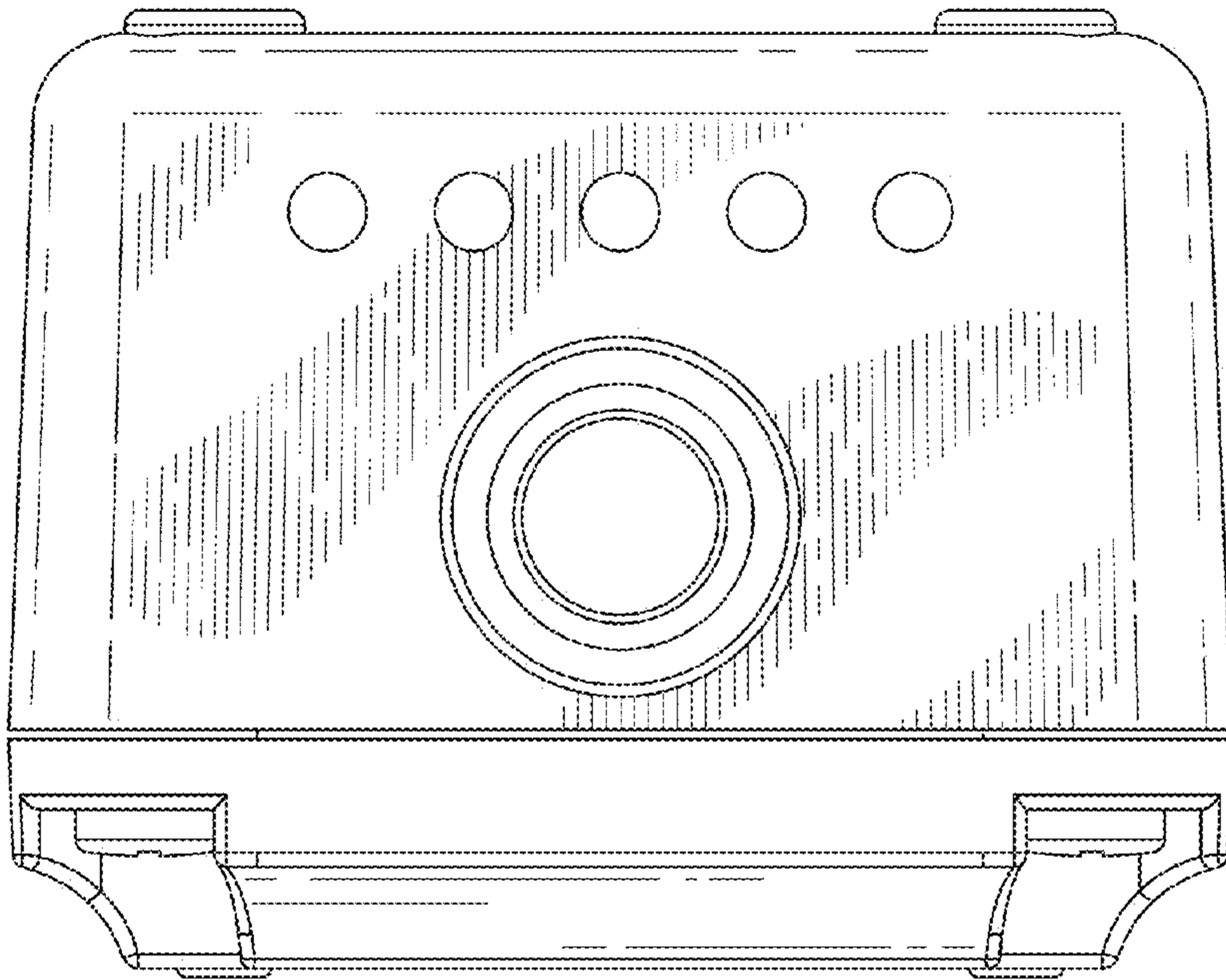


FIG. 5

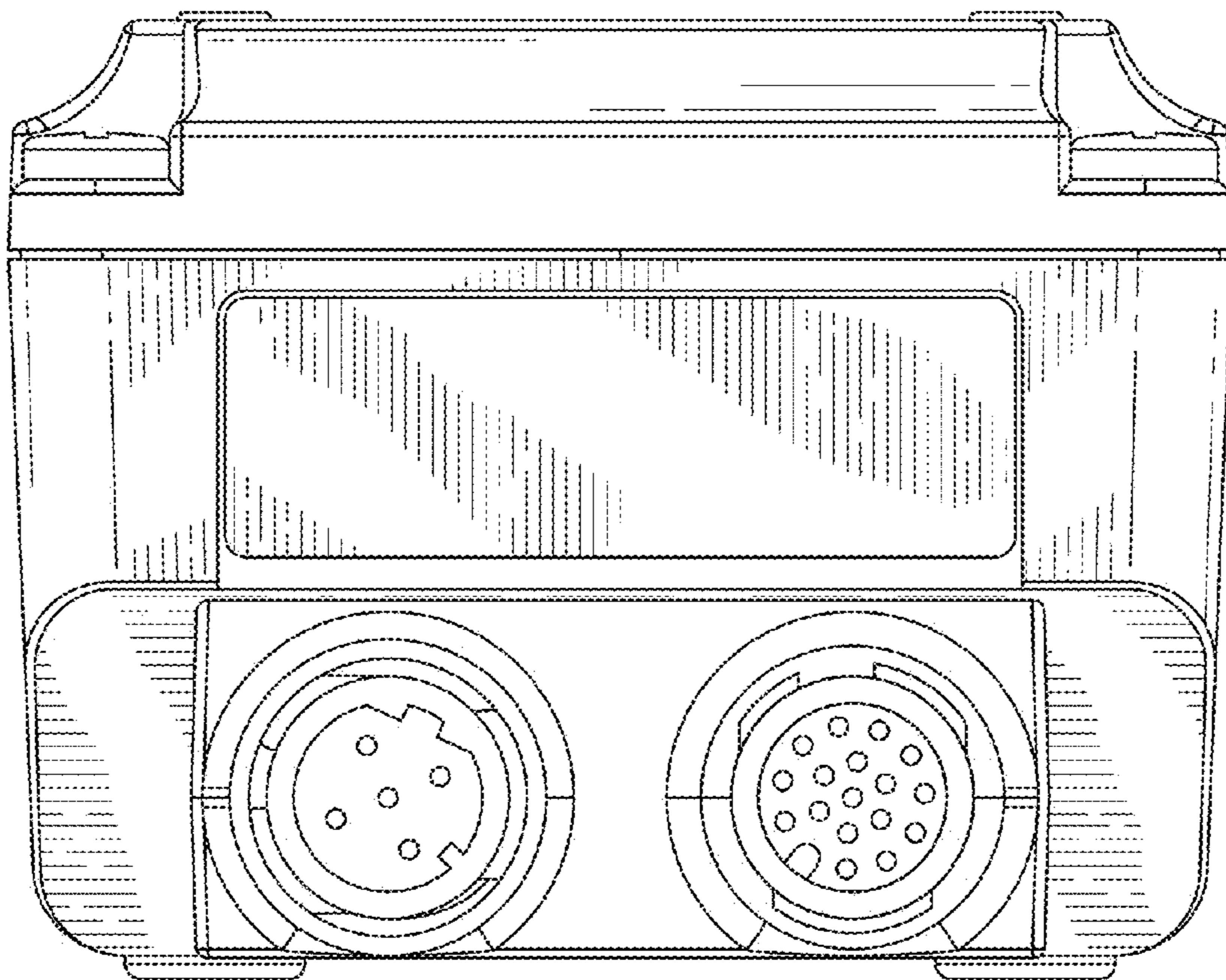


FIG. 6

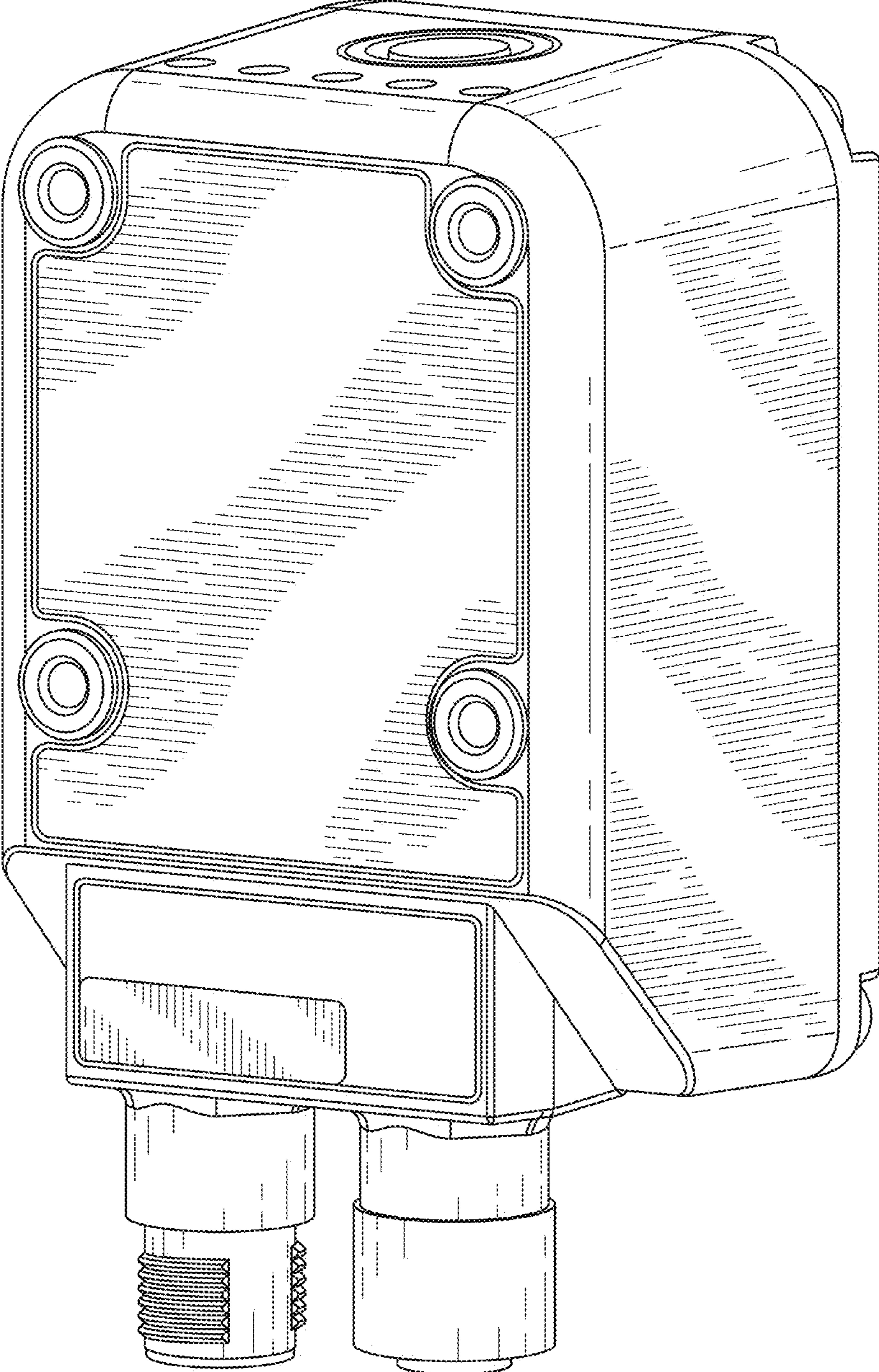


FIG. 7