



US00D765754S

(12) **United States Design Patent** (10) **Patent No.:** **US D765,754 S**
Daiber (45) **Date of Patent:** **** Sep. 6, 2016**

(54) **WAFER LEVEL FOCUS LENS ASSEMBLY**
 (71) Applicant: **Emcore Corporation**, Albuquerque, NM (US)
 (72) Inventor: **Andrew John Daiber**, Emerald Hills, CA (US)
 (**) Term: **14 Years**
 (21) Appl. No.: **29/495,096**
 (22) Filed: **Jun. 26, 2014**
 (51) **LOC (10) Cl.** **16-01**
 (52) **U.S. Cl.**
 USPC **D16/134**
 (58) **Field of Classification Search**
 USPC D15/136; D16/134; 156/275.5;
 359/614, 619, 819, 893; 348/345, 373;
 425/116; 430/270.1, 285.1, 321
 CPC G03B 43/00; G03B 17/12; G08B 29/183;
 G02B 27/0018; G02B 13/0085; H01L
 27/14687; B29D 11/00298; B29D 11/00307
 See application file for complete search history.

2011/0176217 A1* 7/2011 Fujii G02B 3/0056
 359/619
 2011/0286118 A1* 11/2011 Uh G02B 3/0031
 359/819
 2012/0026595 A1* 2/2012 Sasaki B29D 11/00298
 359/642
 2012/0182623 A1* 7/2012 Wippermann B29C 33/52
 359/642
 2012/0257292 A1* 10/2012 Lu G02B 27/0018
 359/819
 2012/0262793 A1* 10/2012 Yoshikawa C08F 265/06
 359/601
 2013/0028587 A1* 1/2013 Kaneko C08F 2/48
 396/439
 2015/0293269 A1* 10/2015 Kast B29D 11/00307
 264/2.7

OTHER PUBLICATIONS

<http://pubs.rsc.org/en/content/articlehtml/2013/nr/c3nr02374e>
 Posted Jul. 10, 2013.*

* cited by examiner

Primary Examiner — Susan Bennett Hattan
Assistant Examiner — Leanne Was
 (74) *Attorney, Agent, or Firm* — Mueting, Raasch & Gebhardt, P.A.

(56) **References Cited**

U.S. PATENT DOCUMENTS

2,302,917 A * 11/1942 Smith B29D 11/0074
 264/2.4
 D281,505 S * 11/1985 Larsen D15/136
 8,238,028 B2 * 8/2012 Shiraishi G02B 3/0062
 347/238
 8,975,005 B2 * 3/2015 Shimada C09D 4/06
 359/614
 8,982,269 B2 * 3/2015 Tecu G03B 43/00
 348/345
 9,027,222 B2 * 5/2015 Wang G02B 13/001
 206/316.1
 9,028,070 B2 * 5/2015 Tomiyama G03B 33/12
 257/98
 2002/0109920 A1* 8/2002 Hannington G02B 5/021
 359/614
 2011/0042840 A1* 2/2011 Okazaki B29D 11/00307
 264/2.5
 2011/0063731 A1* 3/2011 Yamada B29D 11/00278
 359/619

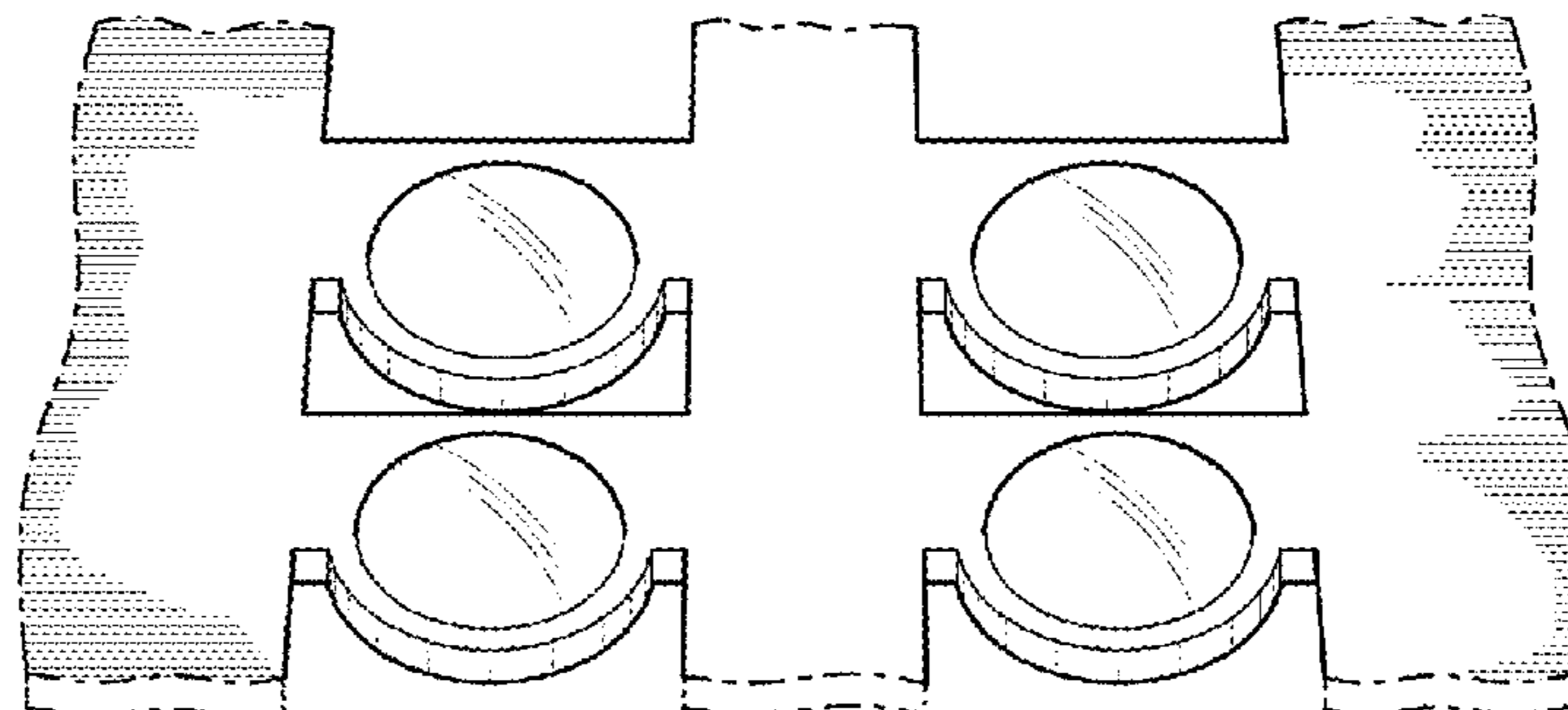
(57) **CLAIM**

The ornamental design for a wafer level focus lens assembly, as shown and described.

DESCRIPTION

FIG. 1 is a perspective view of a wafer level focus lens assembly;
 FIG. 2 is a top elevation view thereof;
 FIG. 3 is a bottom elevation view thereof;
 FIG. 4 is a front elevation view thereof;
 FIG. 5 is a rear elevation view thereof;
 FIG. 6 is a left side elevation view thereof; and,
 FIG. 7 is a right side elevation view thereof.
 The broken lines in the drawings depict portions of the wafer level focus lens assembly that form no part of the claimed design.

1 Claim, 2 Drawing Sheets



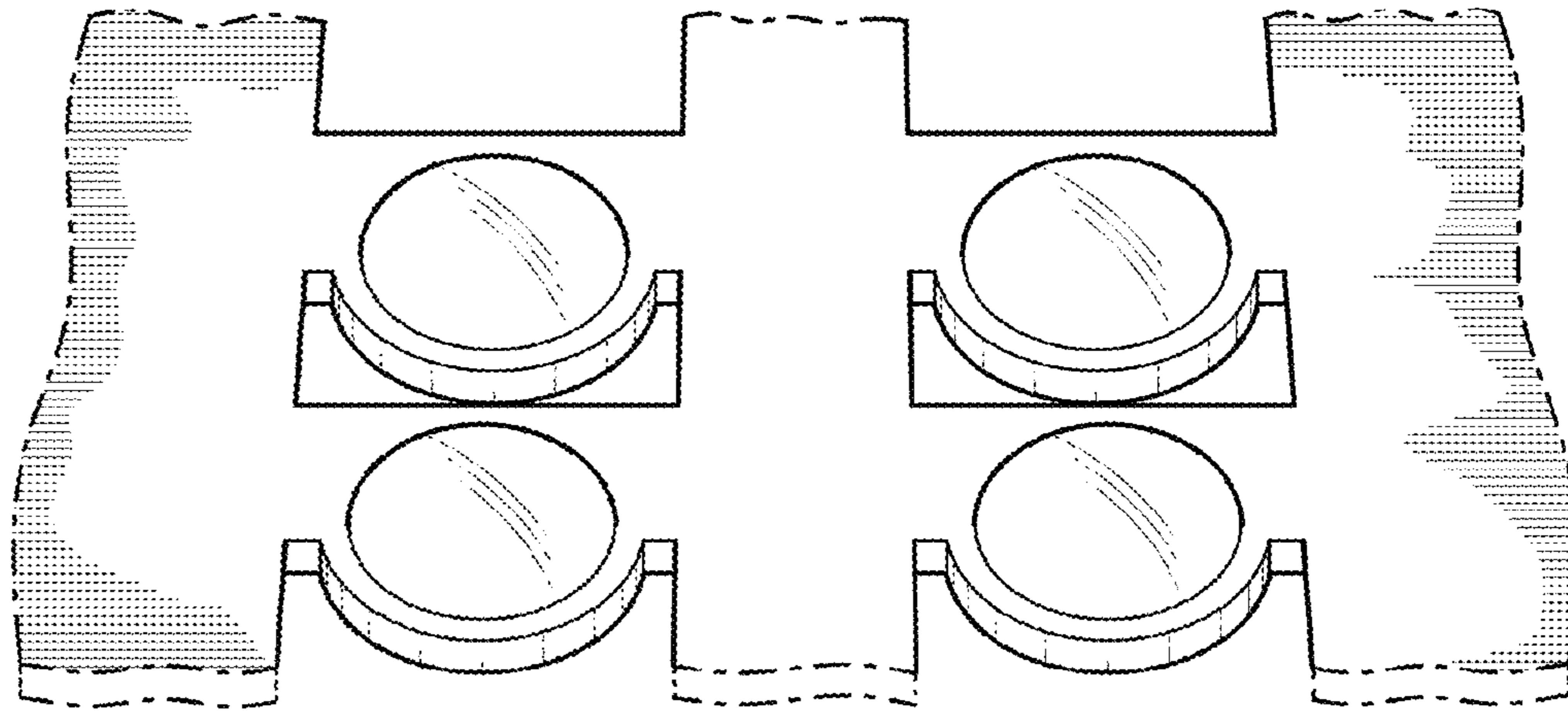


FIG. 1

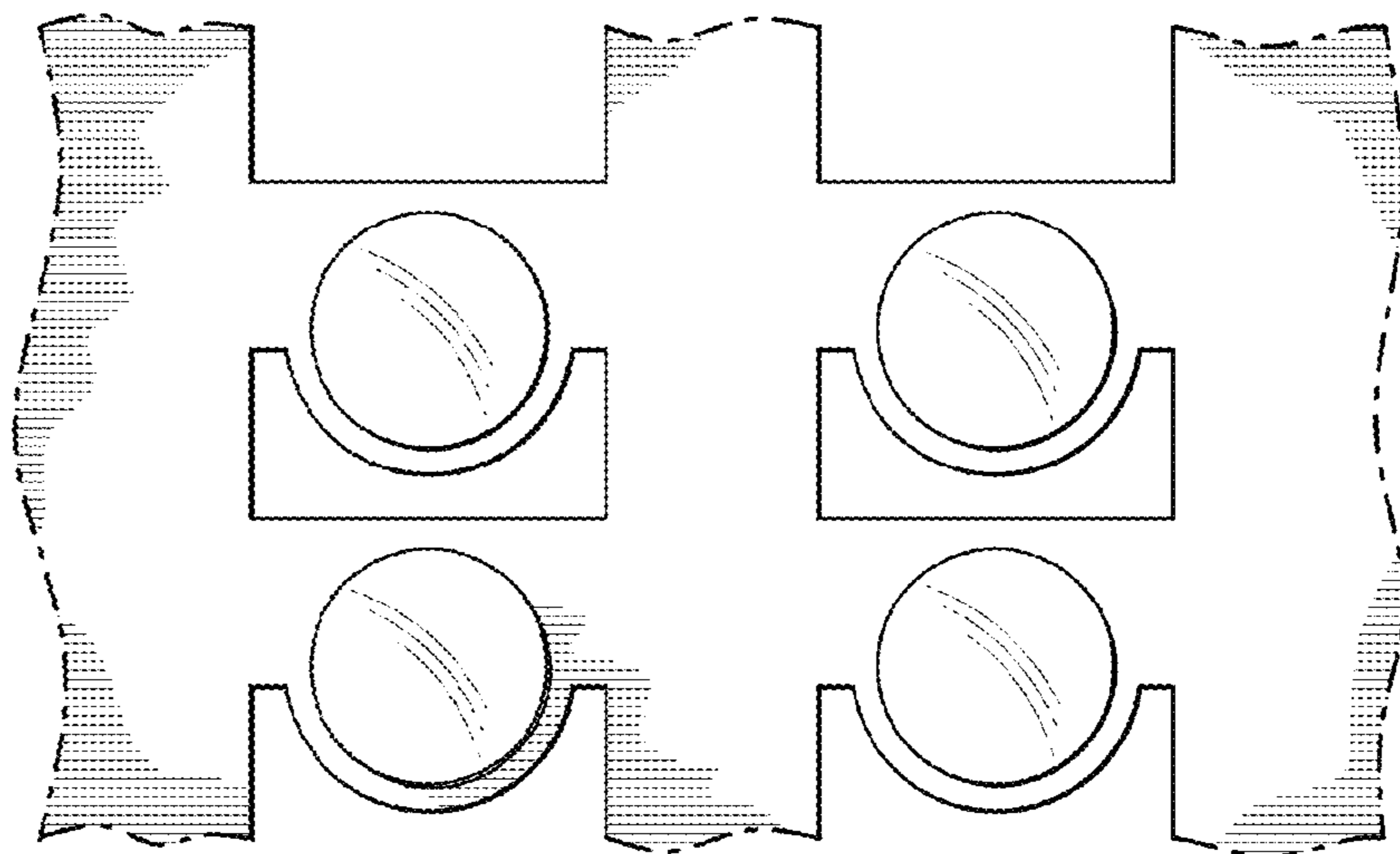


FIG. 2

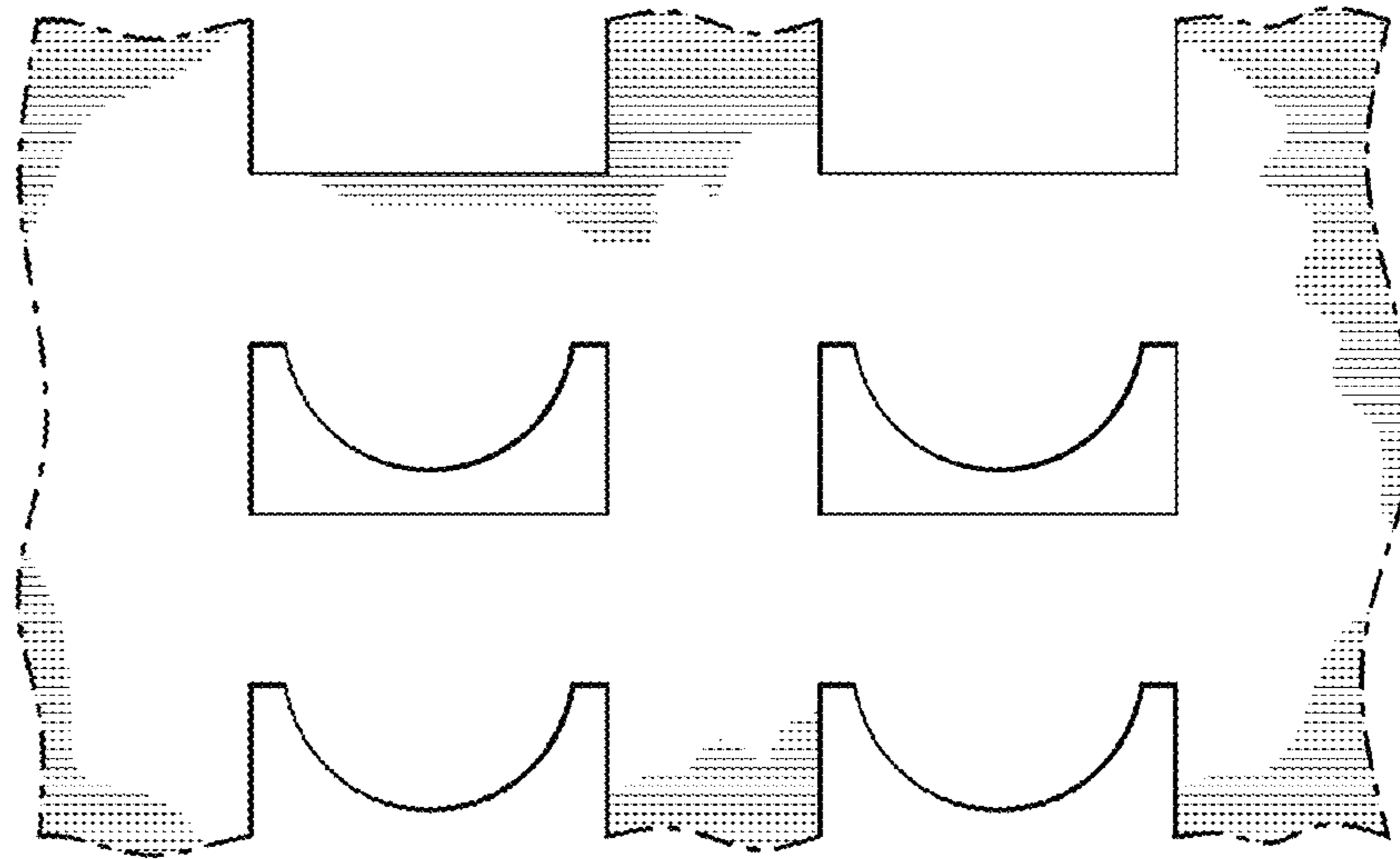


FIG. 3



FIG. 4

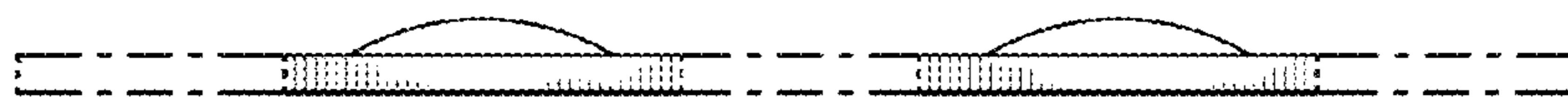


FIG. 5



FIG. 6



FIG. 7