



US00D765753S

(12) **United States Design Patent**  
**Hsu et al.**

(10) **Patent No.:** **US D765,753 S**

(45) **Date of Patent:** **\*\* Sep. 6, 2016**

(54) **OPTICAL LENS**

(71) Applicant: **LEXTAR ELECTRONICS CORP.**,  
Hsinchu (TW)

(72) Inventors: **Han-Chung Hsu**, Hsinchu (TW);  
**Shih-Chieh Chin**, Hsinchu (TW)

(73) Assignee: **Lextar Electronics Corp.**, Hsinchu  
(TW)

(\*\*) Term: **15 Years**

(21) Appl. No.: **29/542,783**

(22) Filed: **Oct. 16, 2015**

(30) **Foreign Application Priority Data**

Jun. 10, 2015 (TW) ..... 104303104

(51) **LOC (10) Cl.** ..... **16-06**

(52) **U.S. Cl.**  
USPC ..... **D16/101**

(58) **Field of Classification Search**  
USPC ..... D16/101, 300-342, 900; D29/109-110;  
D21/483, 659-661; D14/372; 351/41,  
351/44, 45-48, 51-52, 62, 158, 92,  
351/103-123, 140-153, 63, 59; 2/13, 15,  
2/426-432, 447-449, 441, 434-437  
CPC ..... G02C 2200/08; G02C 1/06; G02C 5/14;  
G02C 11/02; G02C 11/04; G02C 5/16;  
G02C 2200/22; G02C 5/146; G02C 5/2254;  
G02C 5/008; G01C 5/16; A61M 2021/0044;  
A63B 33/002

See application file for complete search history.

(56) **References Cited**

U.S. PATENT DOCUMENTS

D277,606 S \* 2/1985 Cebula ..... D21/661  
D278,914 S \* 5/1985 Jermyn ..... D16/331  
D280,236 S \* 8/1985 Crossley ..... D21/661

D291,207 S \* 8/1987 Kunz ..... D16/331  
D371,153 S \* 6/1996 Dugan ..... D16/333  
D374,246 S \* 10/1996 Konopka ..... D16/331  
D428,041 S \* 7/2000 Harbert ..... D16/331  
D458,685 S \* 6/2002 Lumsden ..... D21/661  
D461,200 S \* 8/2002 Pierotti ..... D16/101  
D487,489 S \* 3/2004 Bae ..... D21/661  
D490,836 S \* 6/2004 Lewis, Jr. .... D16/330  
D556,228 S \* 11/2007 Lam ..... D16/101  
D608,809 S \* 1/2010 Chen ..... D16/101  
D610,597 S \* 2/2010 Wei ..... D16/101  
D610,598 S \* 2/2010 Wei ..... D16/101  
D611,078 S \* 3/2010 Chen ..... D16/101  
D612,880 S \* 3/2010 Peng ..... D16/101  
D616,005 S \* 5/2010 Peng ..... D16/101  
2016/0054593 A1 \* 2/2016 Flitsch ..... G02C 11/10  
351/158

\* cited by examiner

*Primary Examiner* — Rosemary K Tarcza

*Assistant Examiner* — Sanjeev Paul

(74) *Attorney, Agent, or Firm* — Schmeiser, Olsen & Watts,  
LLP

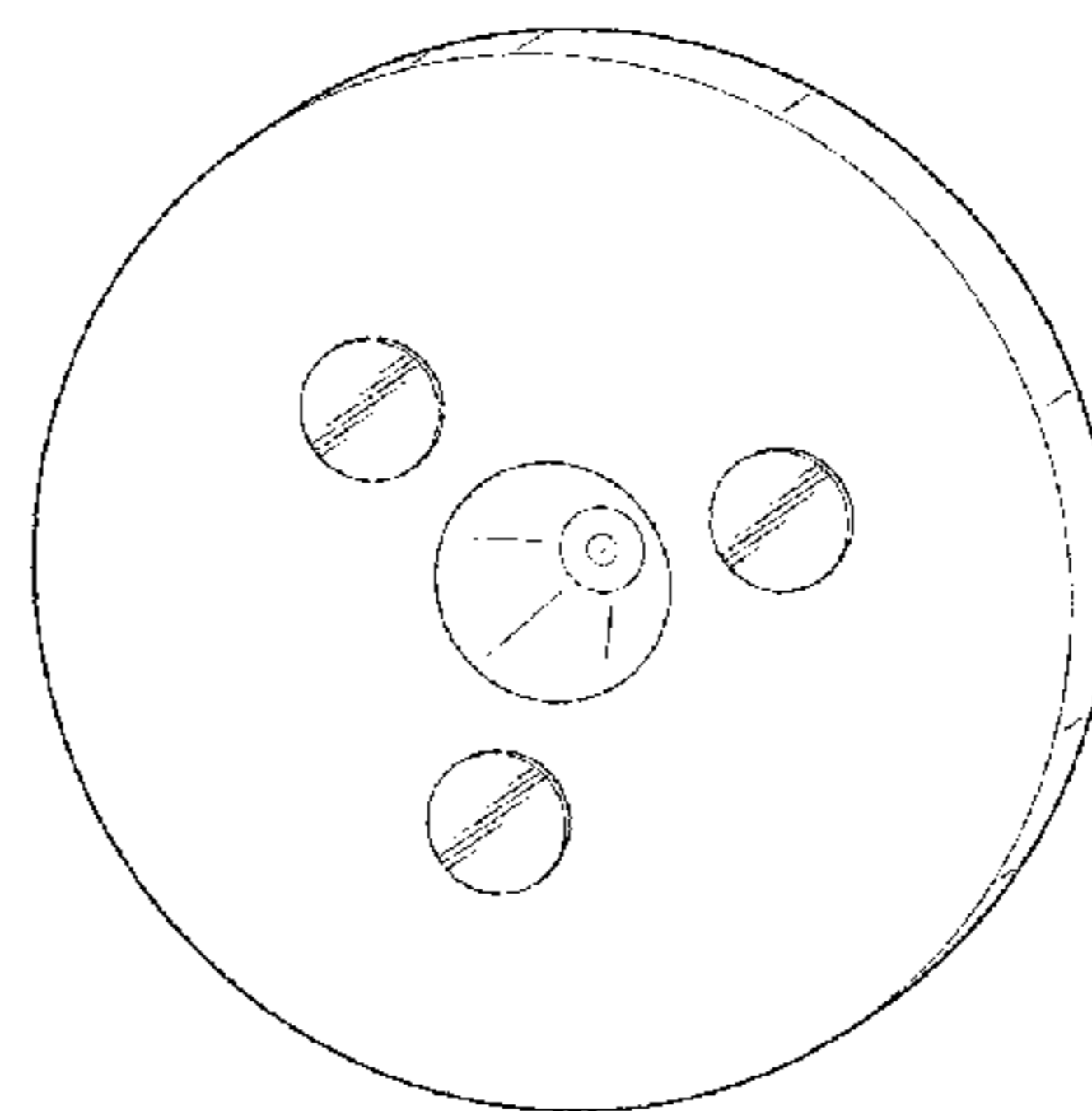
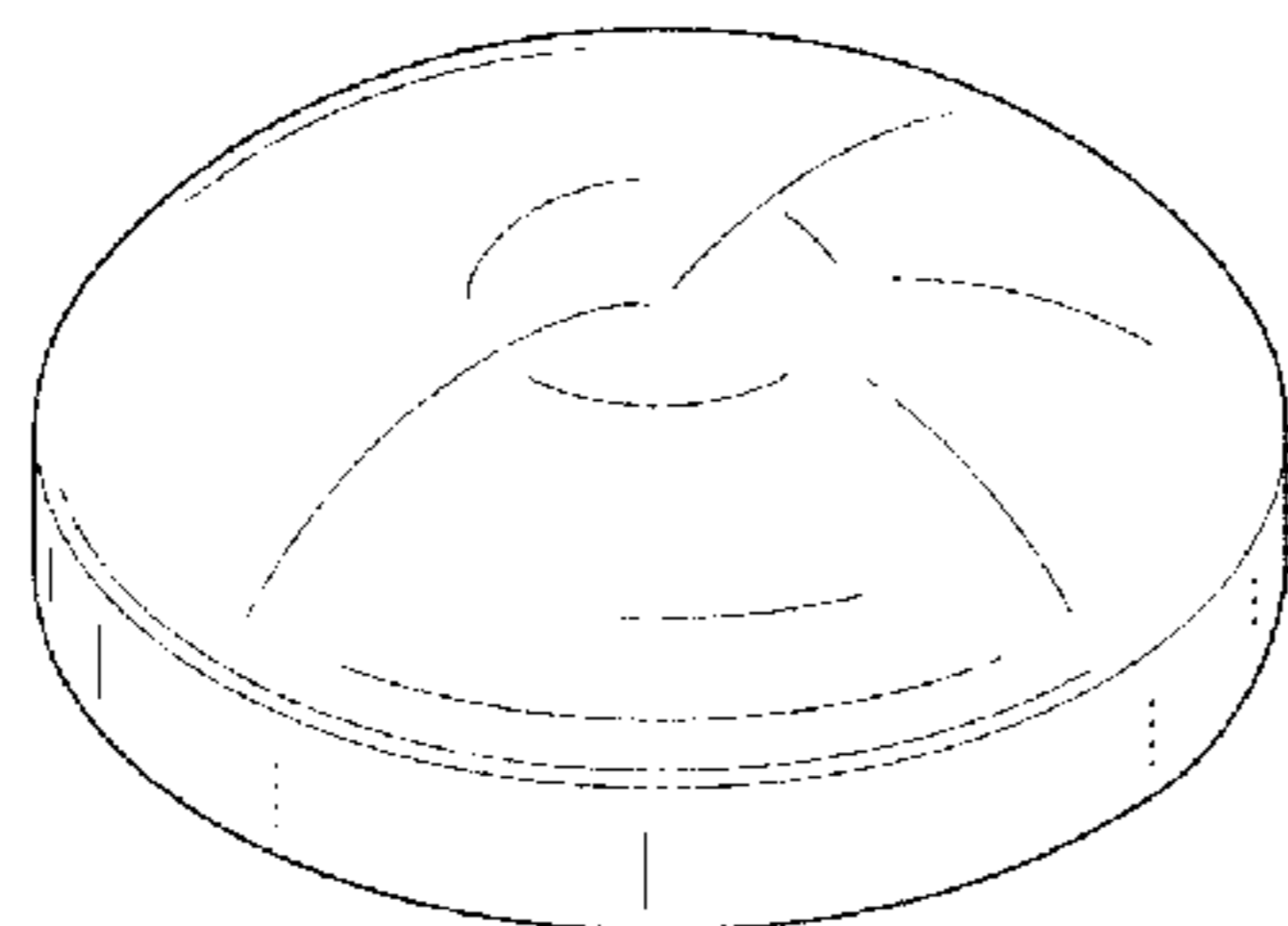
(57) **CLAIM**

We claim the ornamental design for an optical lens, as shown  
and described.

**DESCRIPTION**

FIG. 1 is perspective view of an optical lens showing my  
new design;  
FIG. 2 is a bottom perspective view thereof;  
FIG. 3 is a front view thereof;  
FIG. 4 is a rear view thereof;  
FIG. 5 is a left side view thereof;  
FIG. 6 is a right side view thereof;  
FIG. 7 is a top view thereof;  
FIG. 8 is a bottom view thereof;  
FIG. 9 is a sectional view taken along the line A-A' of FIG.  
8; and,  
FIG. 10 is a sectional view taken along the line B-B' of FIG.  
8.

**1 Claim, 10 Drawing Sheets**



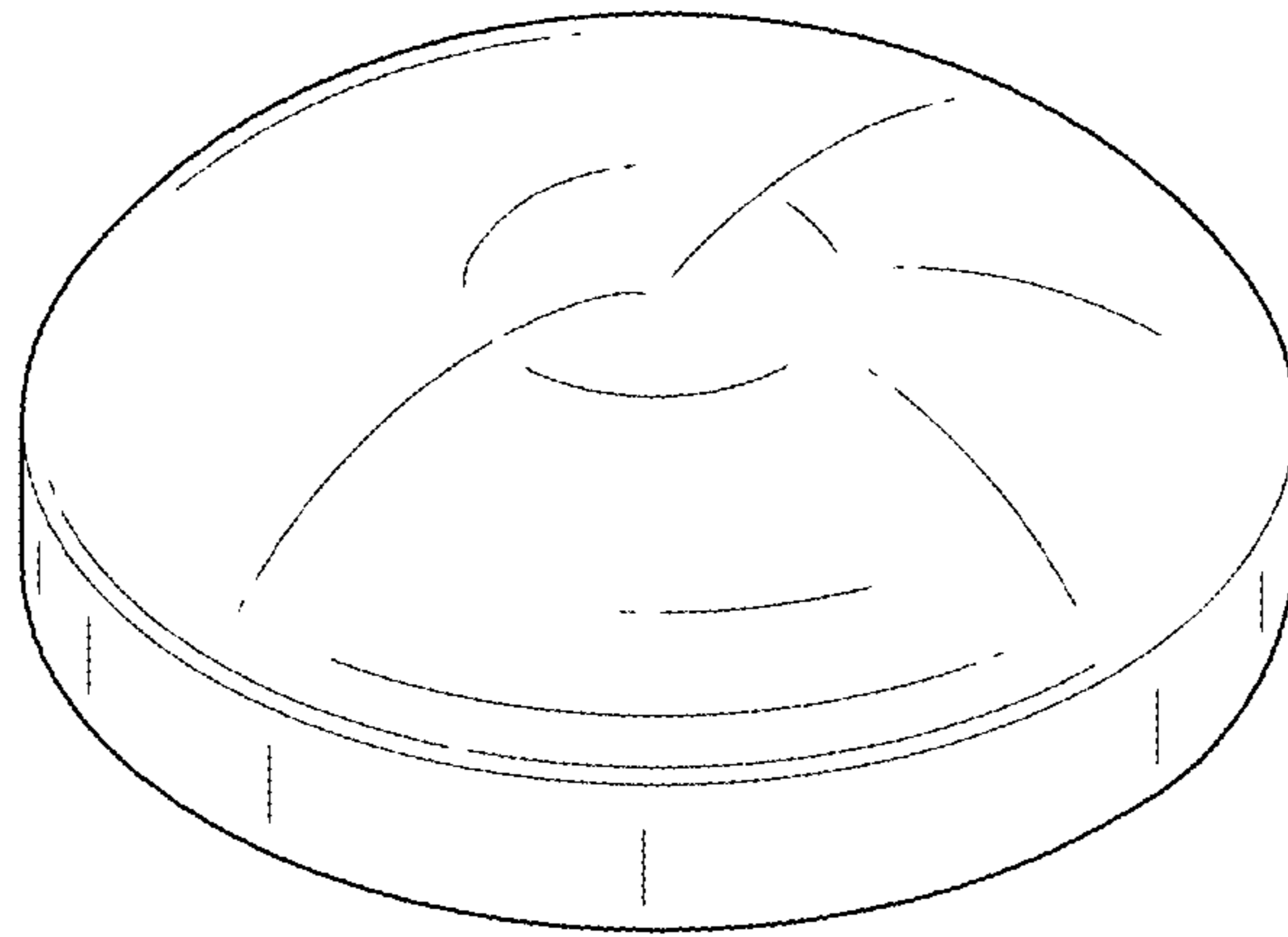


FIG. 1

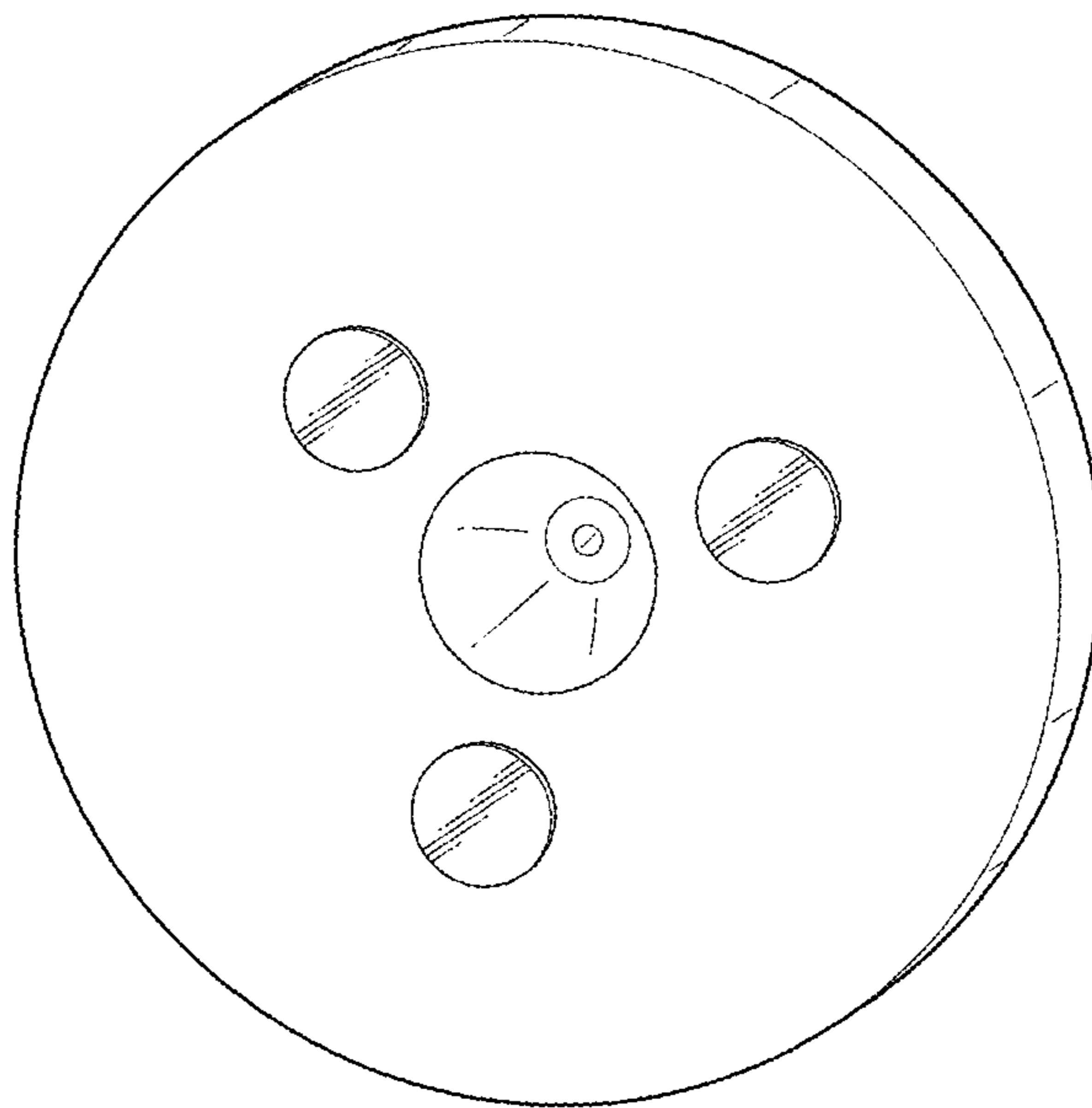


FIG. 2

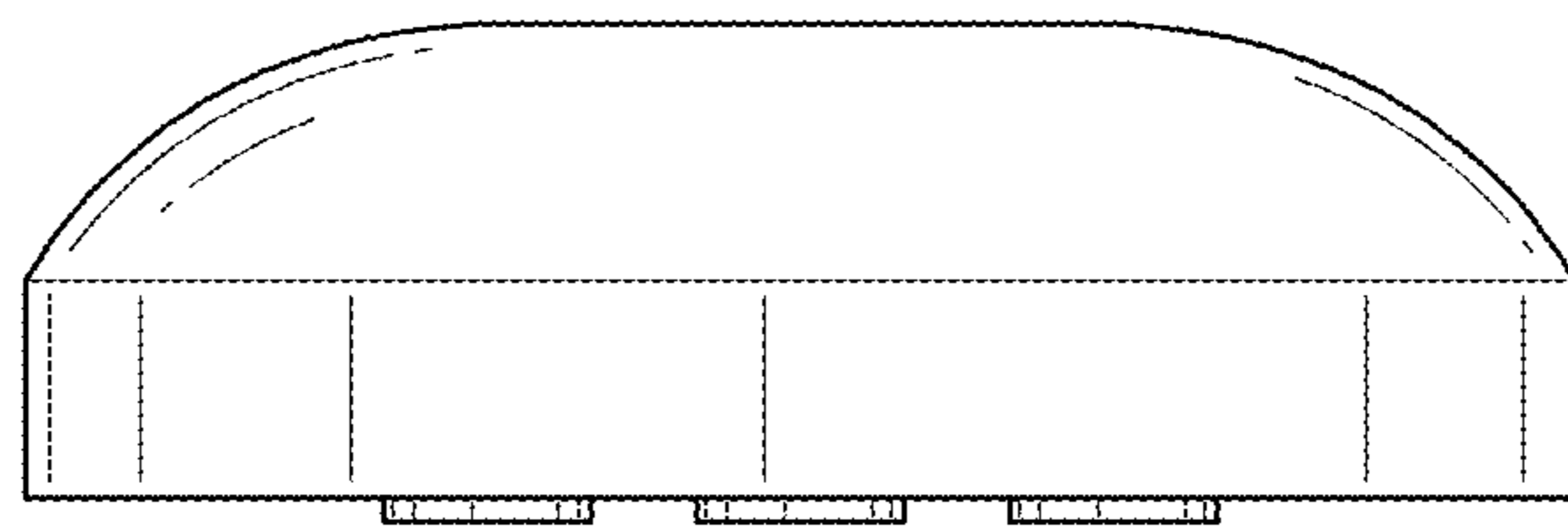


FIG.3

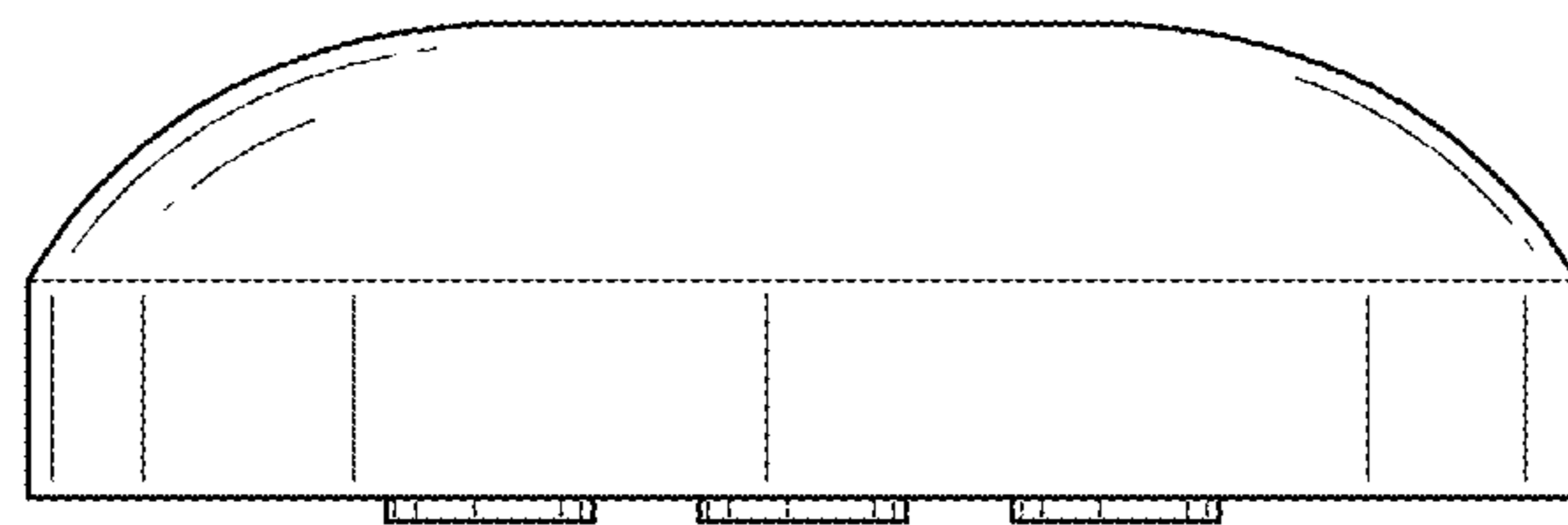


FIG.4

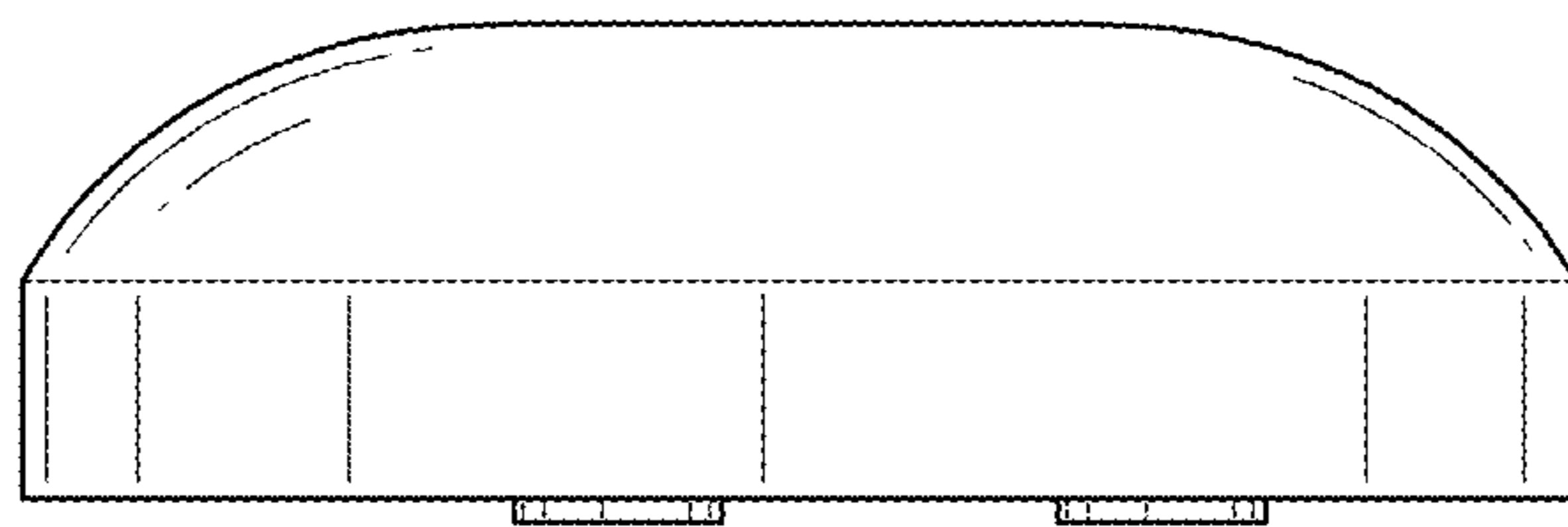


FIG.5

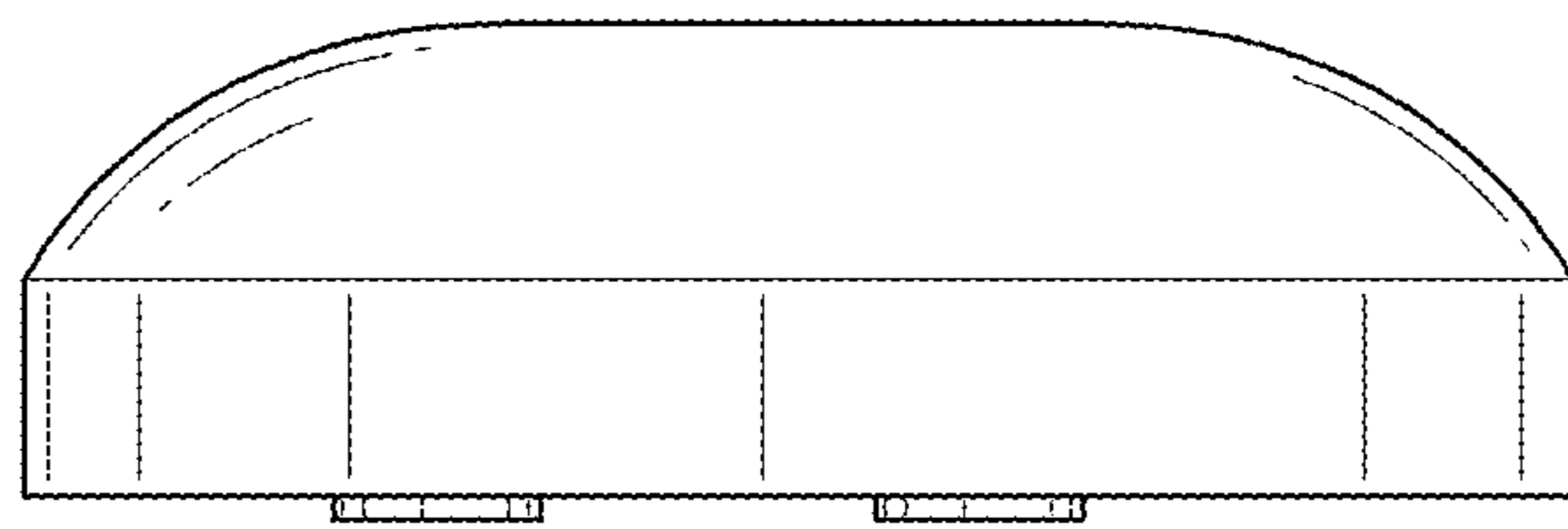


FIG.6

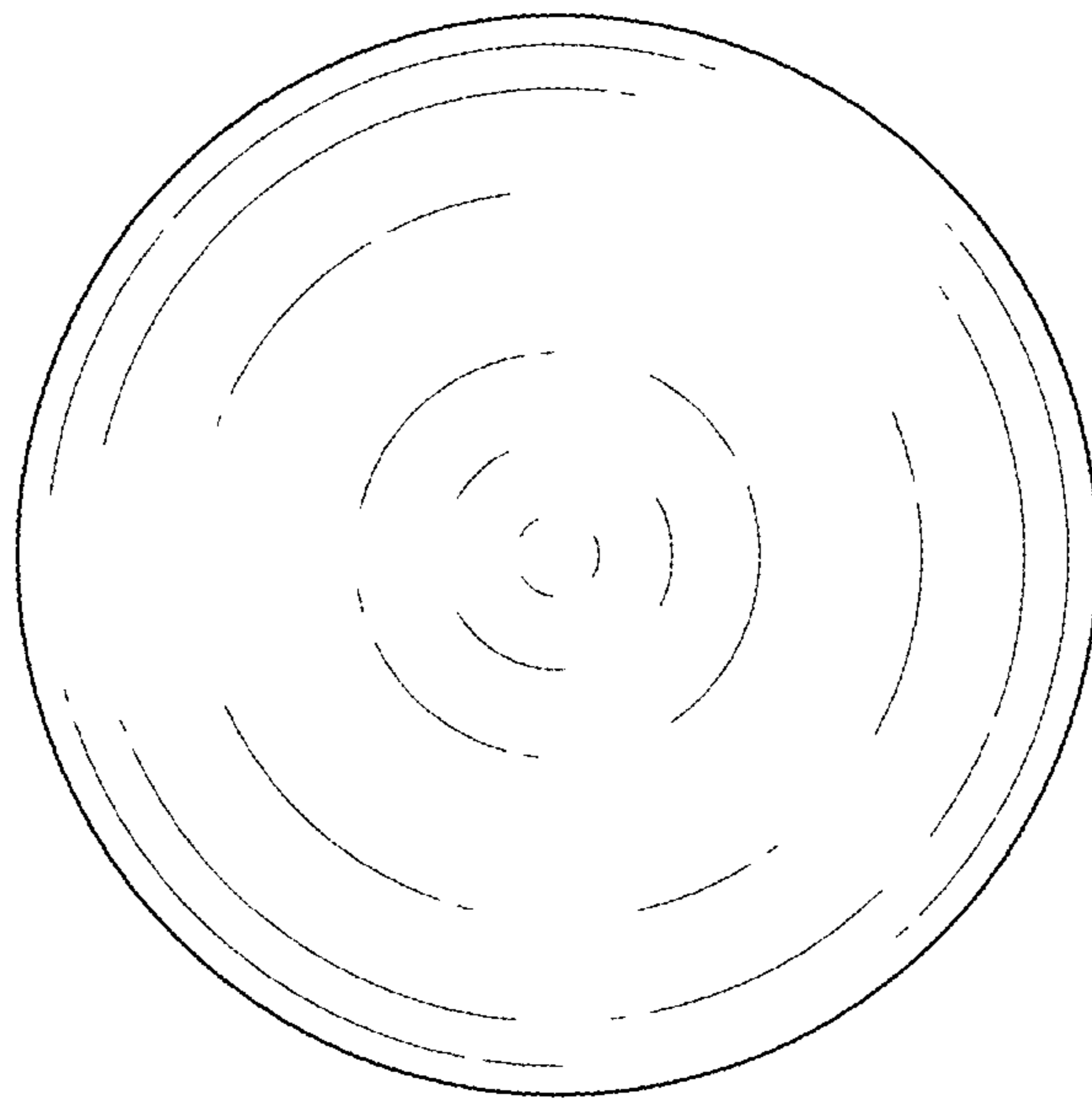


FIG. 7



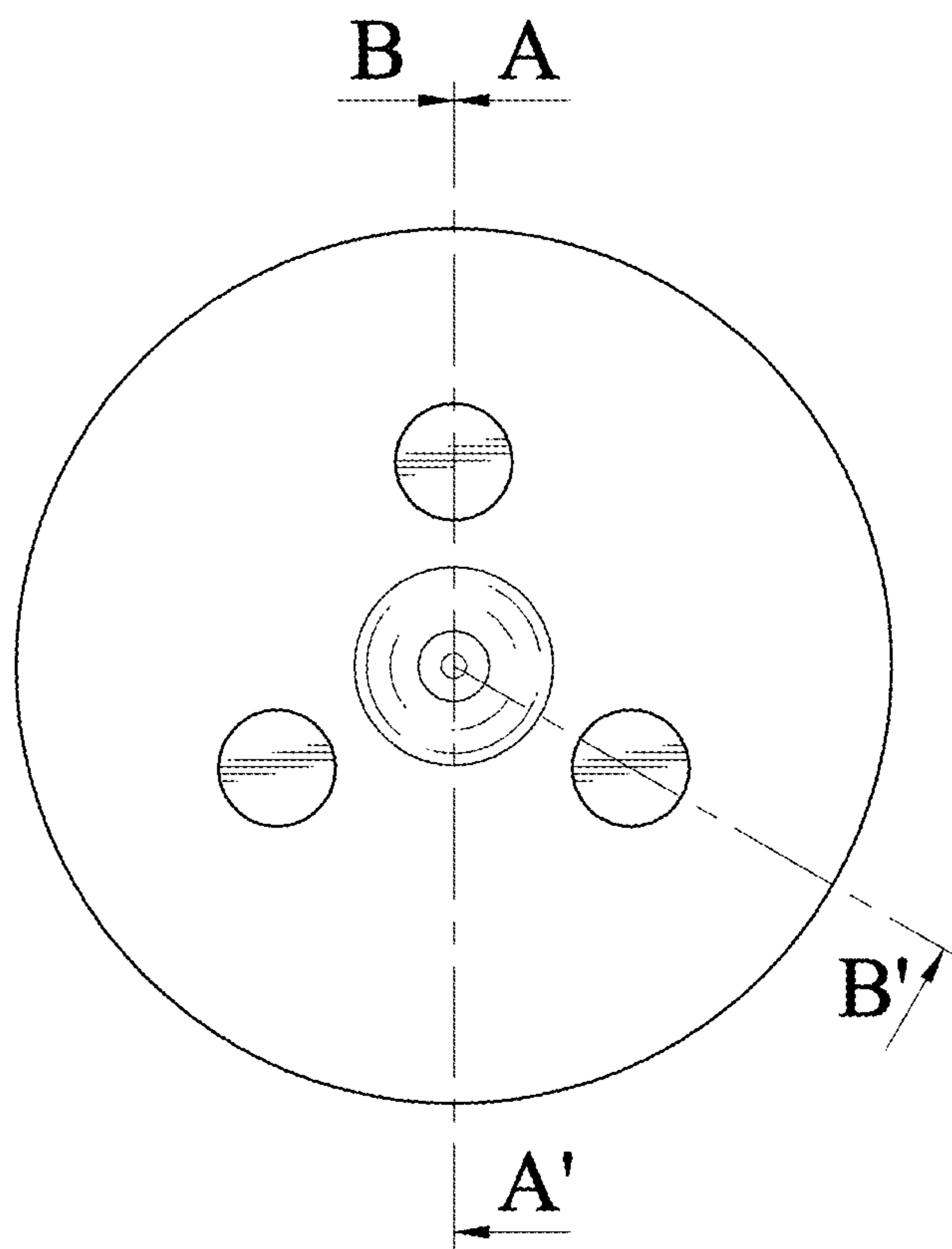


FIG.8

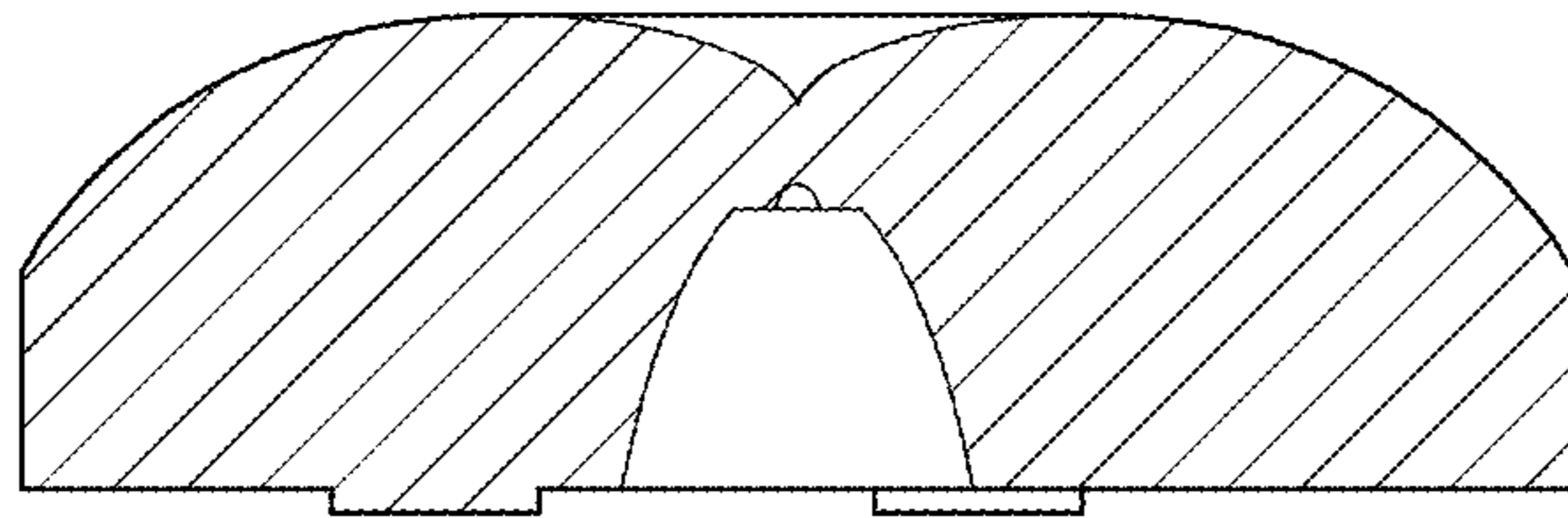


FIG.9

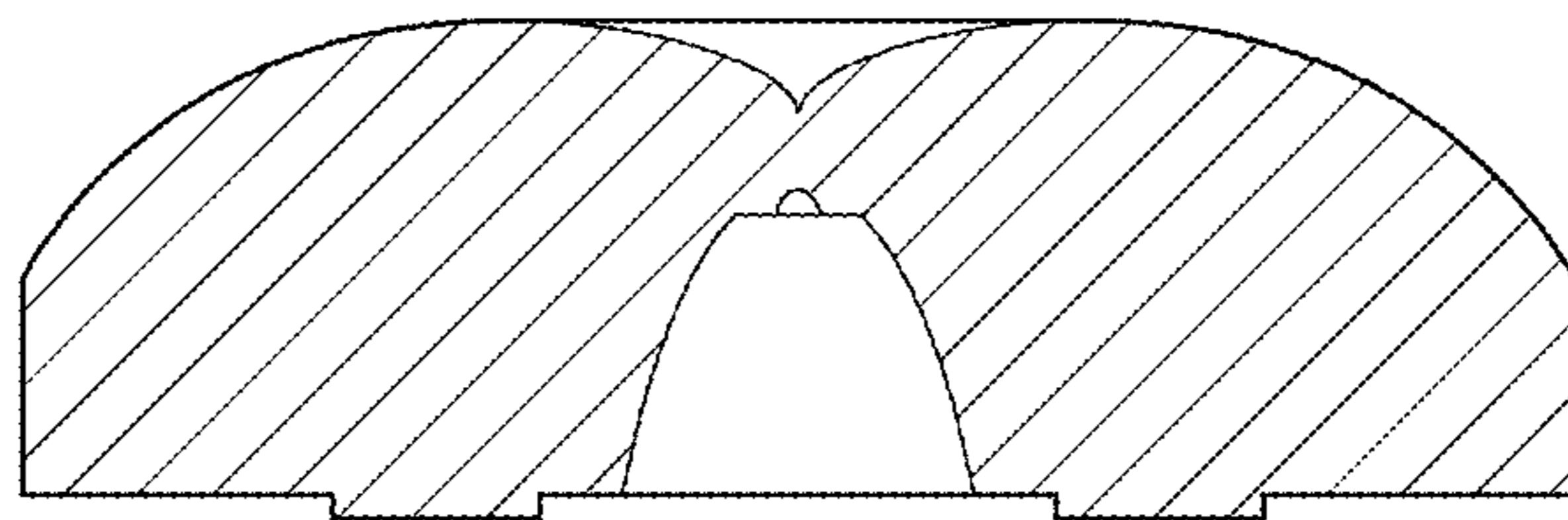


FIG.10