



US00D765750S

(12) **United States Design Patent**
Miller

(10) **Patent No.:** **US D765,750 S**
(45) **Date of Patent:** **** Sep. 6, 2016**

- (54) **ROBOT**
- (71) Applicant: **Kenneth C. Miller**, Aptos, CA (US)
- (72) Inventor: **Kenneth C. Miller**, Aptos, CA (US)
- (**) Term: **14 Years**
- (21) Appl. No.: **29/518,823**
- (22) Filed: **Feb. 27, 2015**
- (51) **LOC (10) Cl.** **15-99**
- (52) **U.S. Cl.**
USPC **D15/199**
- (58) **Field of Classification Search**
USPC D15/199; D21/578
See application file for complete search history.

- 8,688,272 B2 * 4/2014 Hong G05D 1/0234
700/242
- 8,761,939 B2 * 6/2014 Lee G05D 1/0225
367/87
- 8,794,367 B2 * 8/2014 Chung G01S 7/4814
180/167
- 8,800,101 B2 * 8/2014 Kim A47L 9/2805
15/319
- 8,801,057 B2 * 8/2014 Kim A47L 9/009
293/4
- 8,832,902 B2 * 9/2014 Kim A47L 9/0411
15/383
- 8,843,245 B2 * 9/2014 Choe G05D 1/0246
700/214
- D733,203 S * 6/2015 Menor D12/107
- 2011/0191013 A1 * 8/2011 Leeser B62D 11/04
701/124
- 2014/0009561 A1 1/2014 Sutherland
- 2014/0100012 A1 4/2014 Miller

* cited by examiner

(56) **References Cited**
U.S. PATENT DOCUMENTS

- 3,394,491 A * 7/1968 Valentine A63H 5/04
446/231
- 3,720,018 A * 3/1973 Peterson A63H 33/18
446/47
- 4,184,119 A * 1/1980 Kerruish H04B 1/08
446/231
- D304,944 S * 12/1989 Behringer D14/188
- D454,558 S * 3/2002 Song D14/228
- D548,902 S * 8/2007 Chun D32/21
- D548,903 S * 8/2007 Chun D32/21
- D586,959 S * 2/2009 Geringer D32/21
- D596,815 S * 7/2009 Baek D32/21
- 7,789,175 B2 9/2010 Tobey
- D658,341 S * 4/2012 Nam D32/21
- D665,547 S * 8/2012 Nam D32/21
- 8,265,793 B2 * 9/2012 Cross H04N 7/15
180/168
- 8,662,234 B2 * 3/2014 Roeder B62D 5/0418
180/252

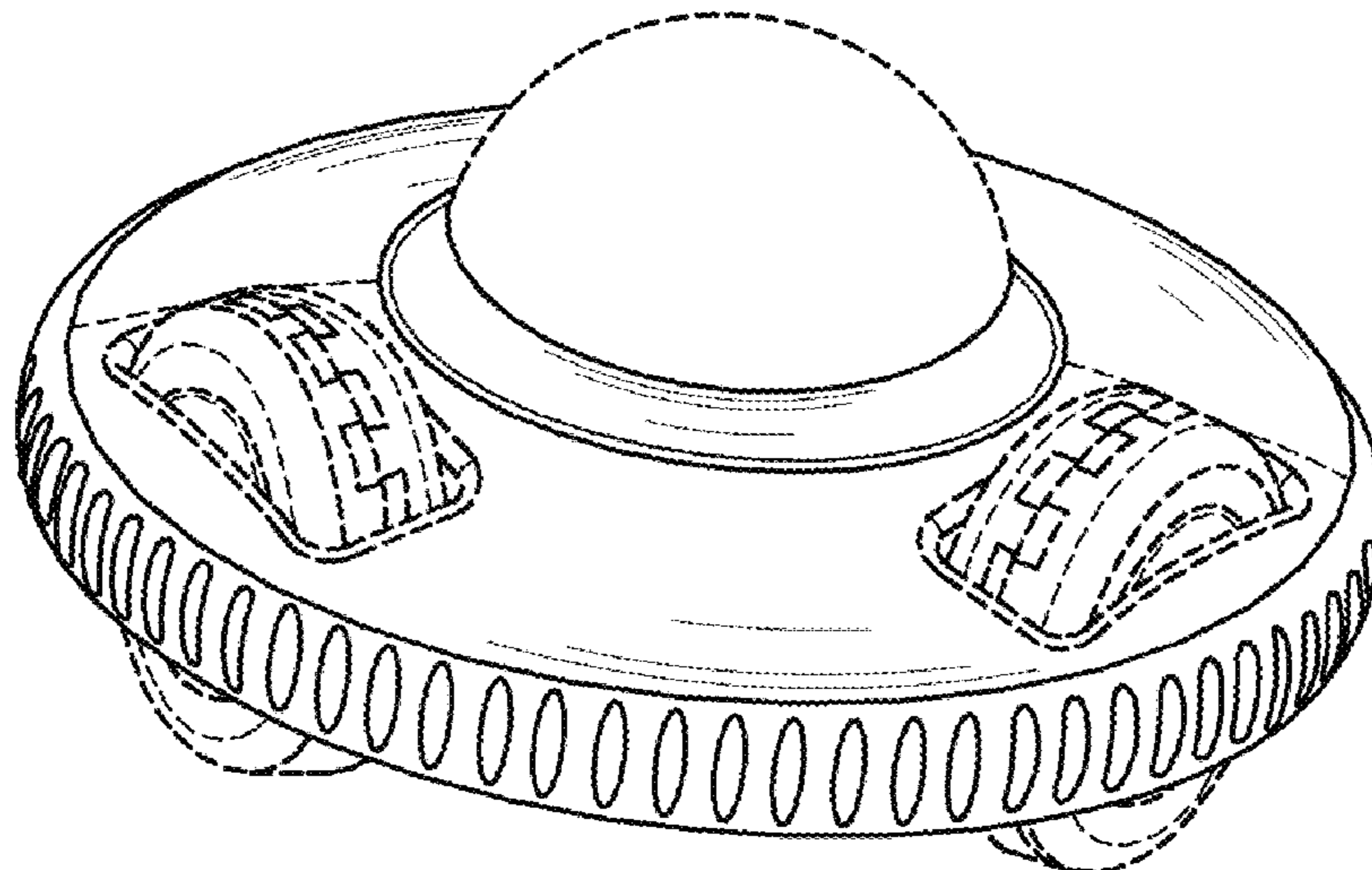
Primary Examiner — Patricia Palasik
(74) *Attorney, Agent, or Firm* — Avery N. Goldstein; Blue Filament Law LLC

(57) **CLAIM**
The ornamental design for a robot, as shown and described.

DESCRIPTION

FIG. 1 is a perspective view of a robot;
FIG. 2 is a top view of the robot depicted in FIG. 1;
FIG. 3 is a bottom view of the robot depicted in FIG. 1;
FIG. 4 is a right view of the robot depicted in FIG. 1; and,
FIG. 5 is a left view of the robot depicted in FIG. 1.
The broken lines in the drawings depict the boundaries of the claimed design and form no part thereof.

1 Claim, 3 Drawing Sheets



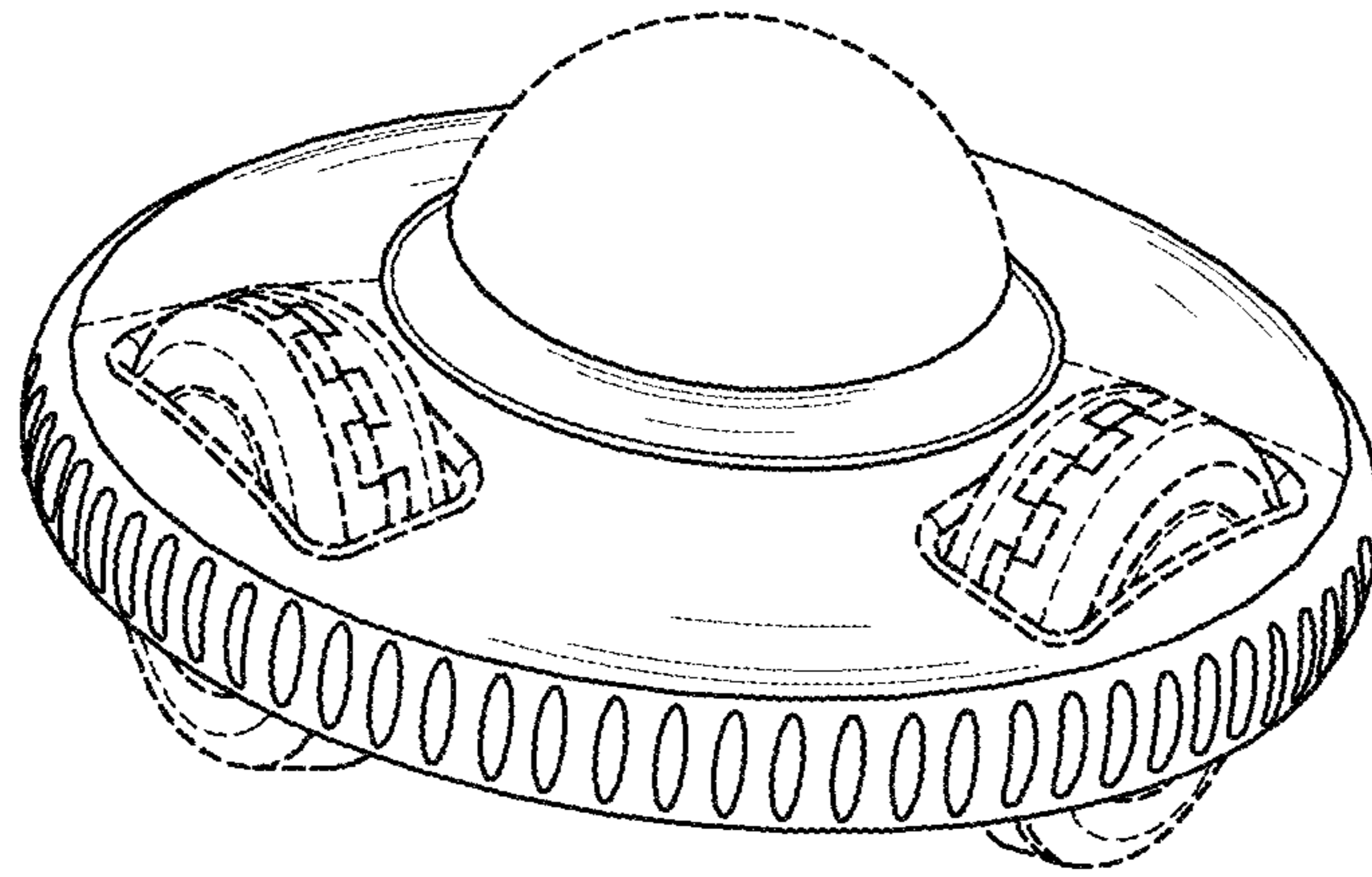


FIG. 1

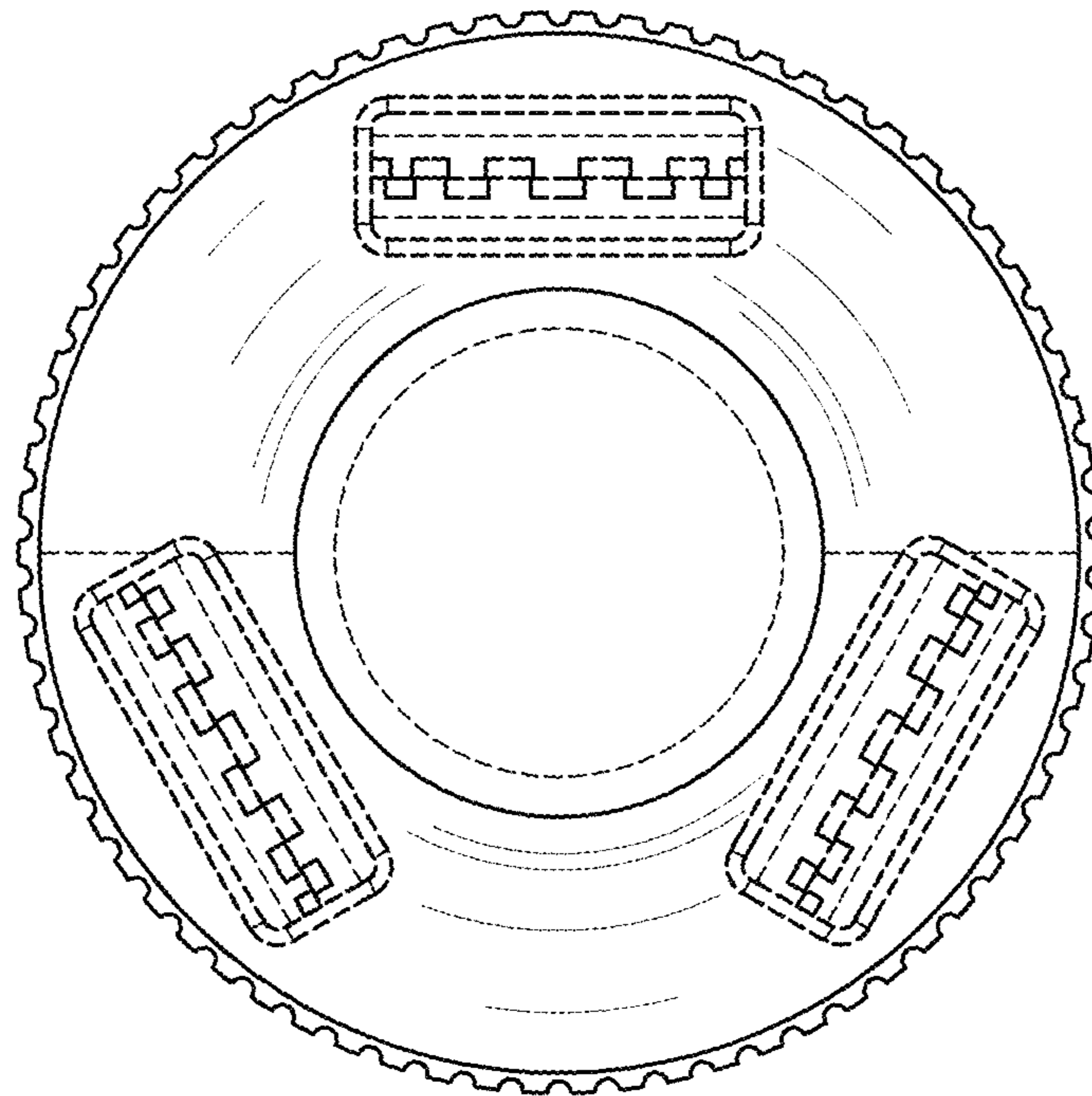


FIG. 2

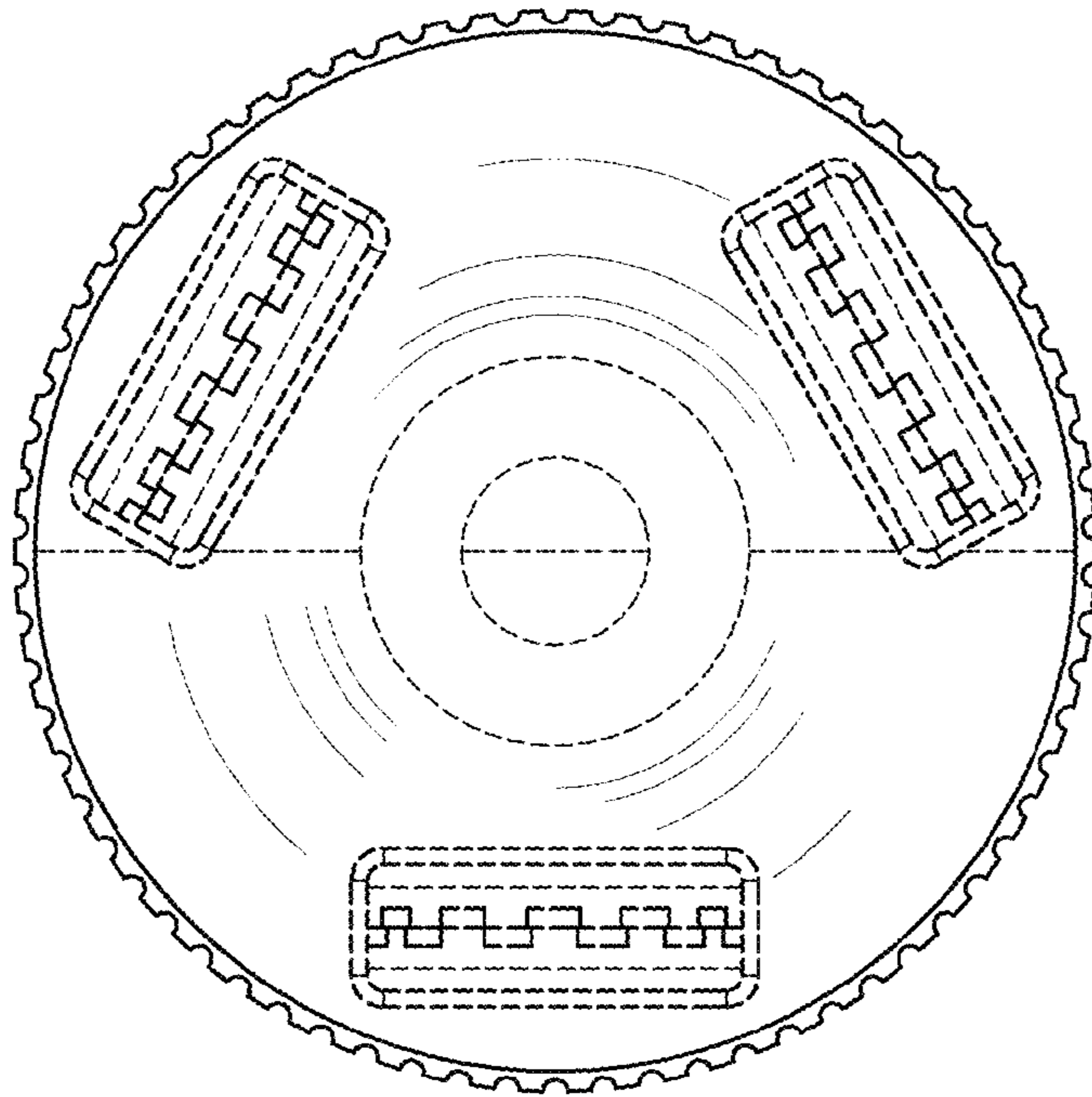


FIG. 3

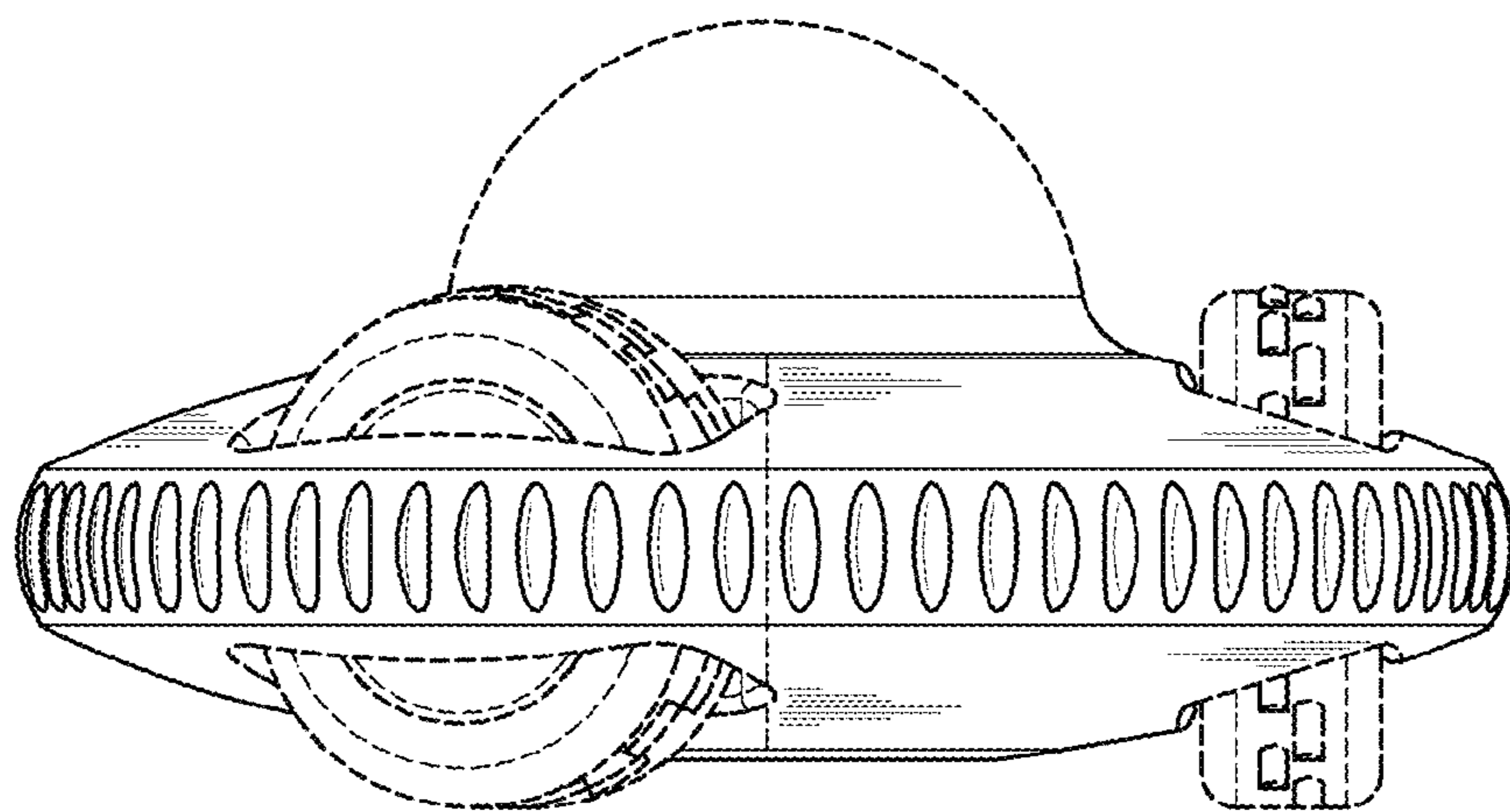


FIG. 4

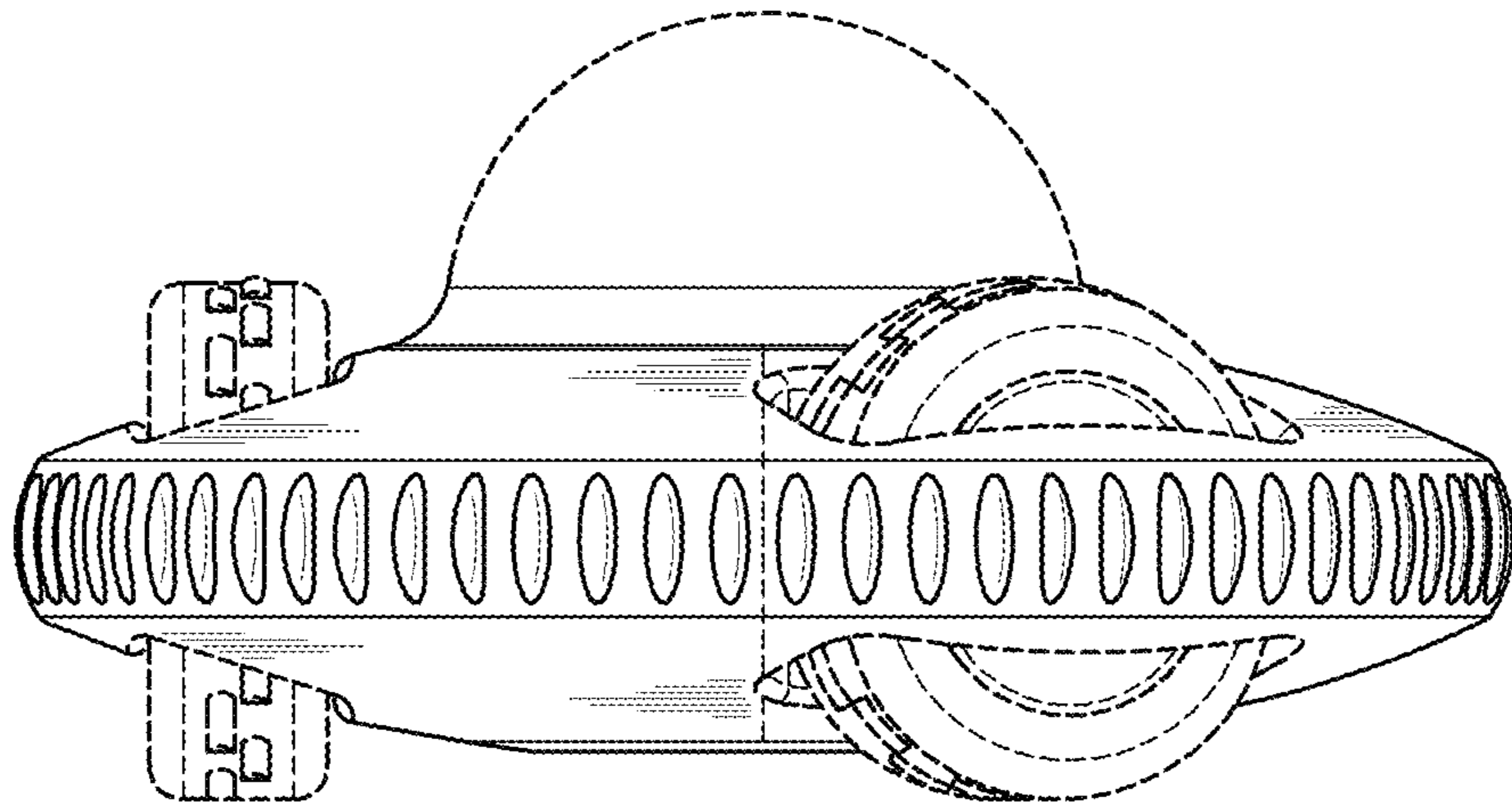


FIG. 5