



US00D765749S

(12) **United States Design Patent** (10) **Patent No.:** **US D765,749 S**  
**Wu** (45) **Date of Patent:** **\*\* Sep. 6, 2016**

- (54) **LINEAR ACTUATOR** 8,156,834 B2 \* 4/2012 Chiang ..... F16H 25/20  
74/89.39
- (71) Applicant: **TIMOTION TECHNOLOGY CO., LTD.**, New Taipei (TW) 8,459,133 B2 \* 6/2013 Inoue ..... F16H 25/2015  
74/567
- (72) Inventor: **Chou-Hsin Wu**, New Taipei (TW) D686,257 S \* 7/2013 Wu ..... D15/143  
D686,260 S \* 7/2013 Wu ..... D15/143  
D686,648 S \* 7/2013 Wu ..... D15/143  
D708,239 S \* 7/2014 Lin ..... D15/143
- (73) Assignee: **TIMOTION TECHNOLOGY CO., LTD.**, New Taipei (TW) 8,806,972 B2 \* 8/2014 Wang ..... F16H 25/20  
403/60
- (\*\*) Term: **15 Years** 8,978,497 B2 \* 3/2015 Bourgoine ..... F16H 25/20  
74/89.23
- (21) Appl. No.: **29/535,101** 9,091,334 B2 \* 7/2015 Kollreider ..... A47B 9/04  
9,312,738 B2 \* 4/2016 Winther ..... F16H 25/20  
9,341,248 B2 \* 5/2016 Wu ..... F16H 25/20

\* cited by examiner

- (22) Filed: **Aug. 4, 2015**
- (51) **LOC (10) Cl.** ..... **15-09**
- (52) **U.S. Cl.**  
USPC ..... **D15/143**
- (58) **Field of Classification Search**  
USPC ..... D13/118, 158, 162, 184; D15/1-5, 7, 9,  
D15/143, 148, 149, 199  
See application file for complete search history.

*Primary Examiner* — Patricia Palasik  
(74) *Attorney, Agent, or Firm* — Chun-Ming Shih; HDLS IPR Services

(57) **CLAIM**  
The ornamental design for a linear actuator, as shown and described.

(56) **References Cited**

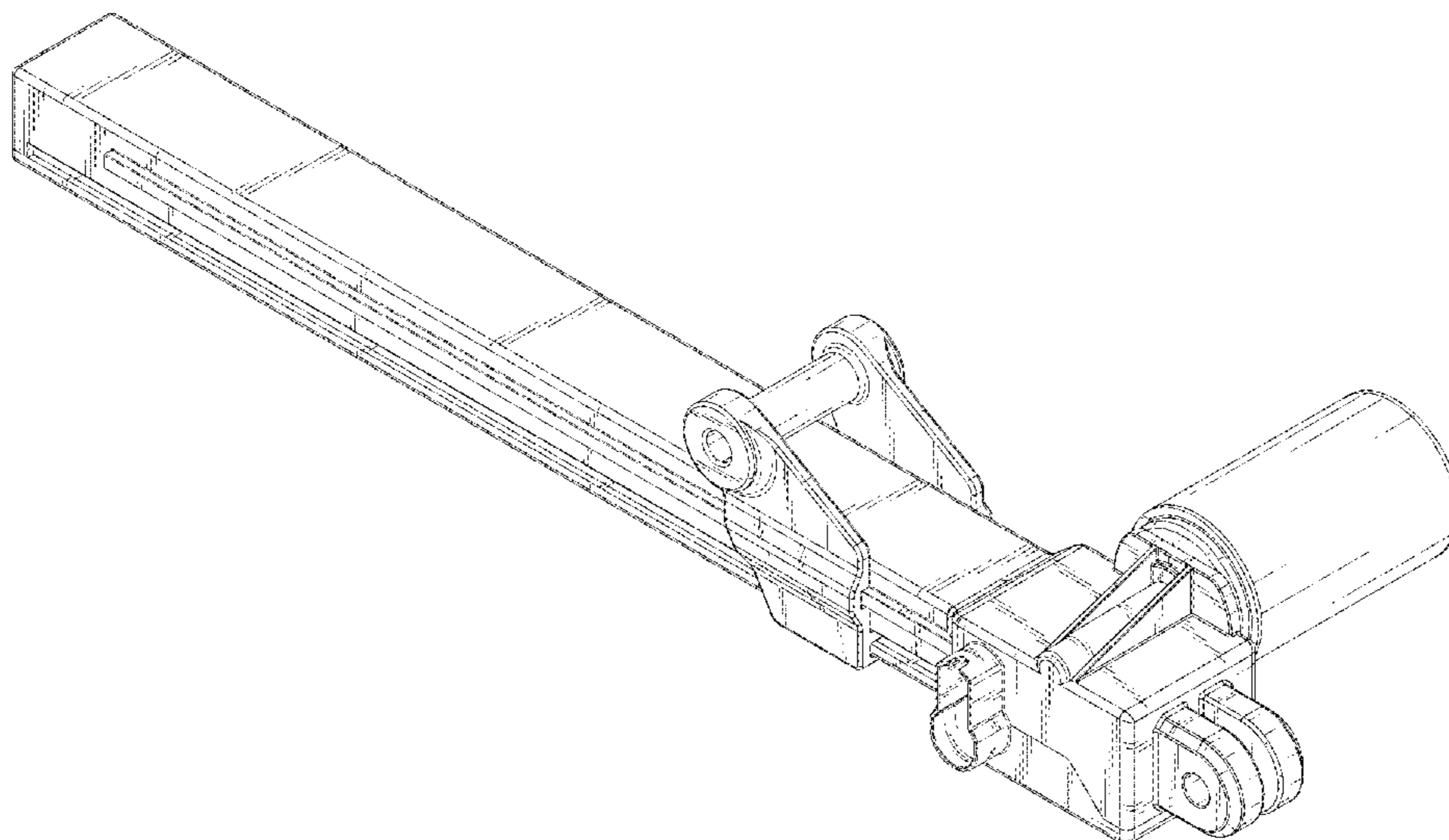
**DESCRIPTION**

U.S. PATENT DOCUMENTS

- D456,826 S \* 5/2002 Nagai ..... D15/143
- D458,284 S \* 6/2002 Landerholm ..... D15/143
- D467,950 S \* 12/2002 Christensen ..... D15/148
- 6,942,261 B2 \* 9/2005 Larsen ..... F15B 15/19  
180/274
- D514,146 S \* 1/2006 Haneball ..... D15/143
- D595,752 S \* 7/2009 Lin ..... D15/143
- D595,753 S \* 7/2009 Tseng ..... D15/143
- 8,024,987 B2 \* 9/2011 Yamaguchi ..... F16H 1/225  
74/89.23
- 8,040,082 B2 \* 10/2011 Bastholm ..... F16H 25/2015  
318/135
- D656,975 S \* 4/2012 Tseng ..... D15/143

FIG. 1 is a perspective view of a linear actuator showing my new design;  
FIG. 2 is a front view thereof;  
FIG. 3 is a rear view thereof;  
FIG. 4 is a left side view thereof;  
FIG. 5 is a right side view thereof;  
FIG. 6 is a top view thereof;  
FIG. 7 is a bottom view thereof; and,  
FIG. 8 is second perspective view showing the linear actuator; and,  
FIG. 9 is third perspective view showing the linear actuator.

**1 Claim, 8 Drawing Sheets**



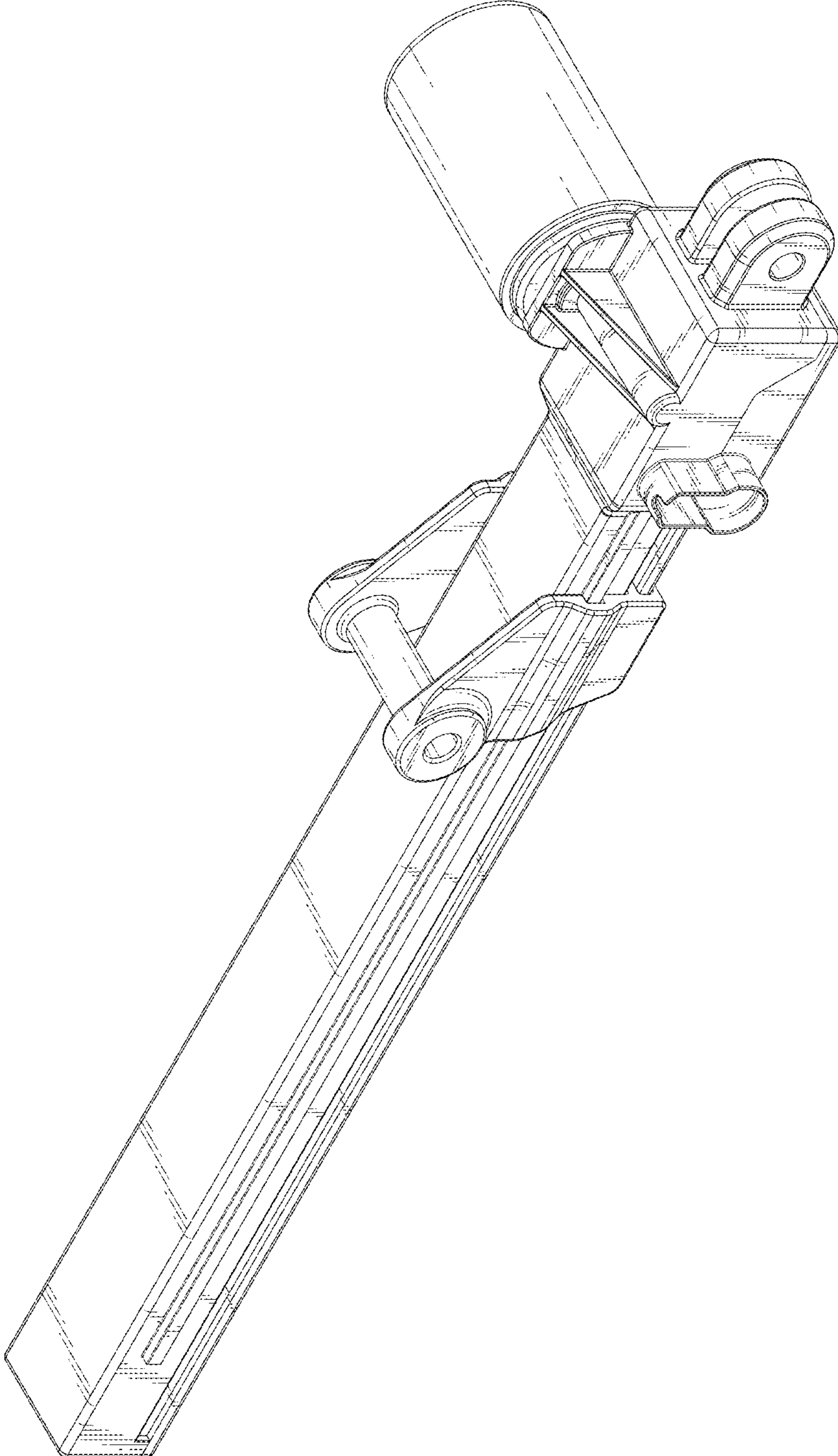


FIG.1

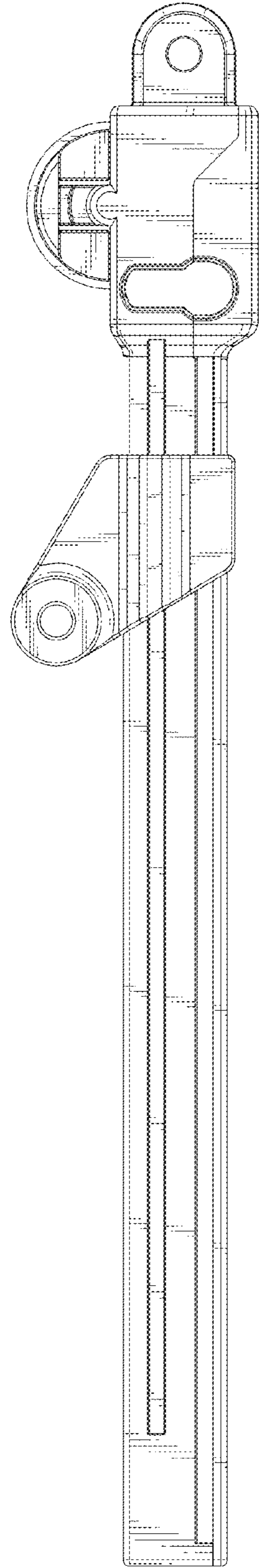


FIG.2

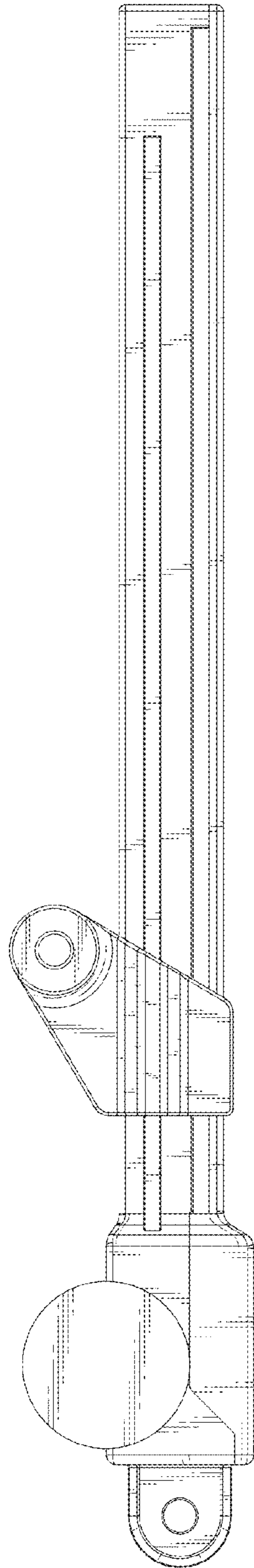


FIG. 3



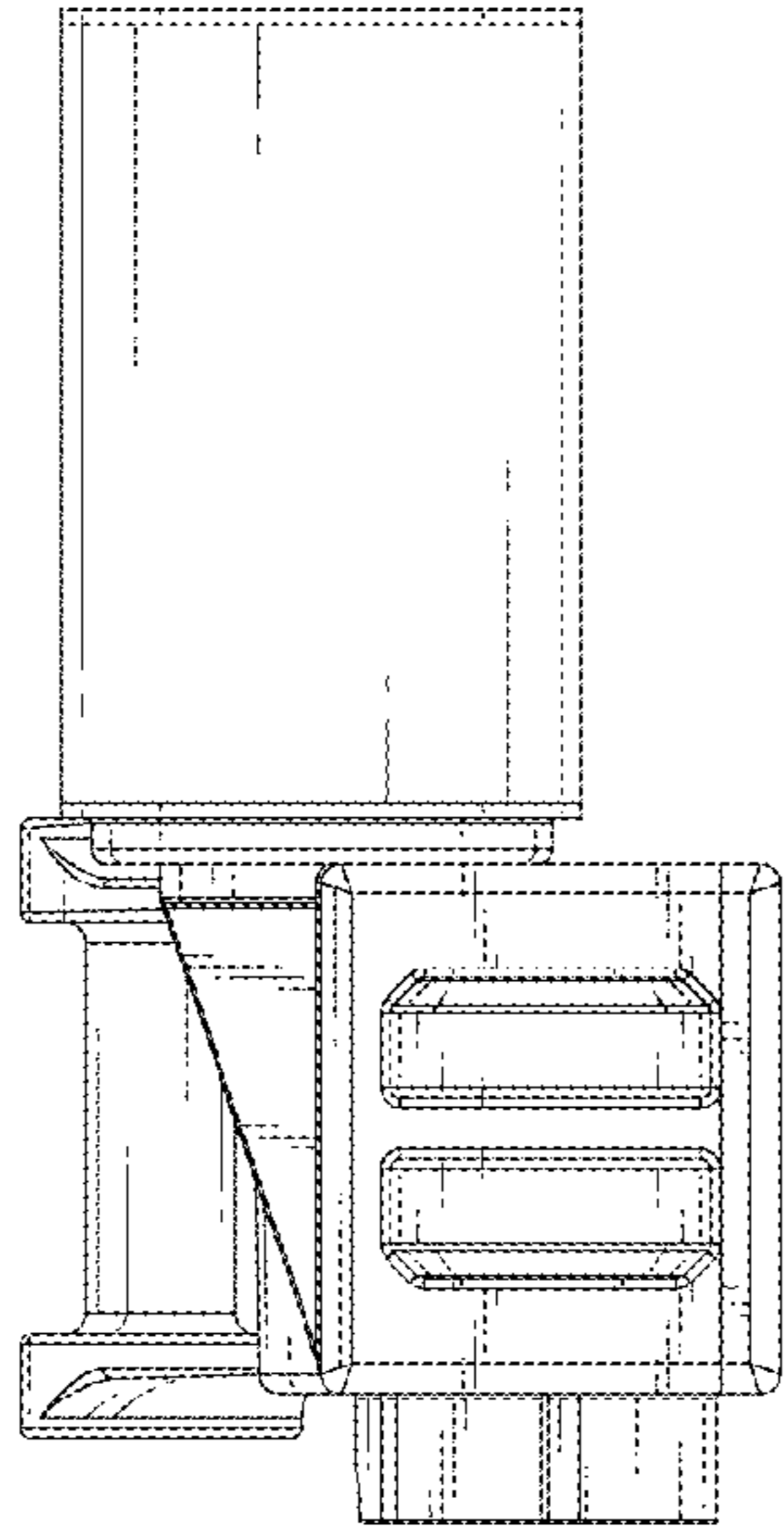


FIG.5

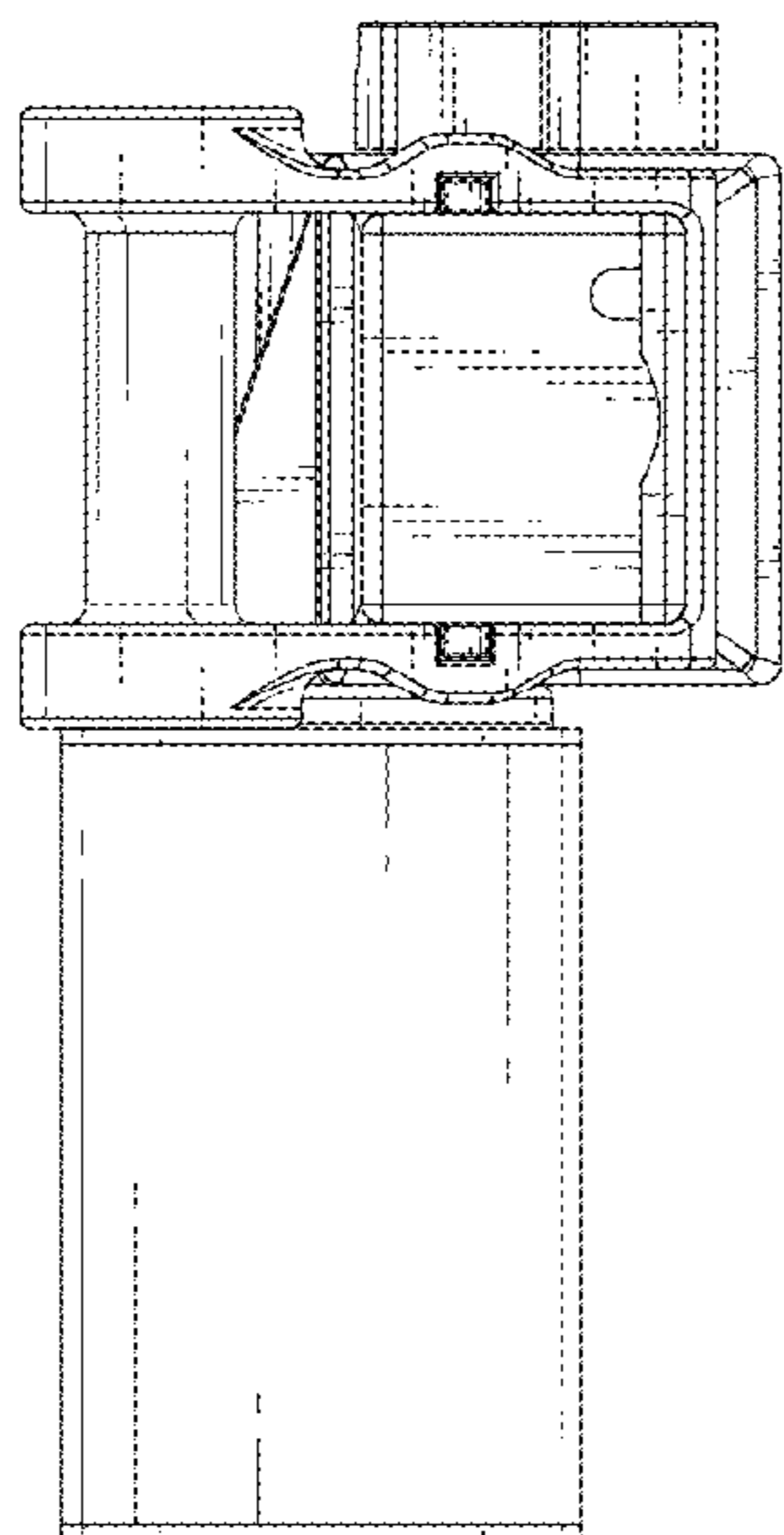


FIG.4

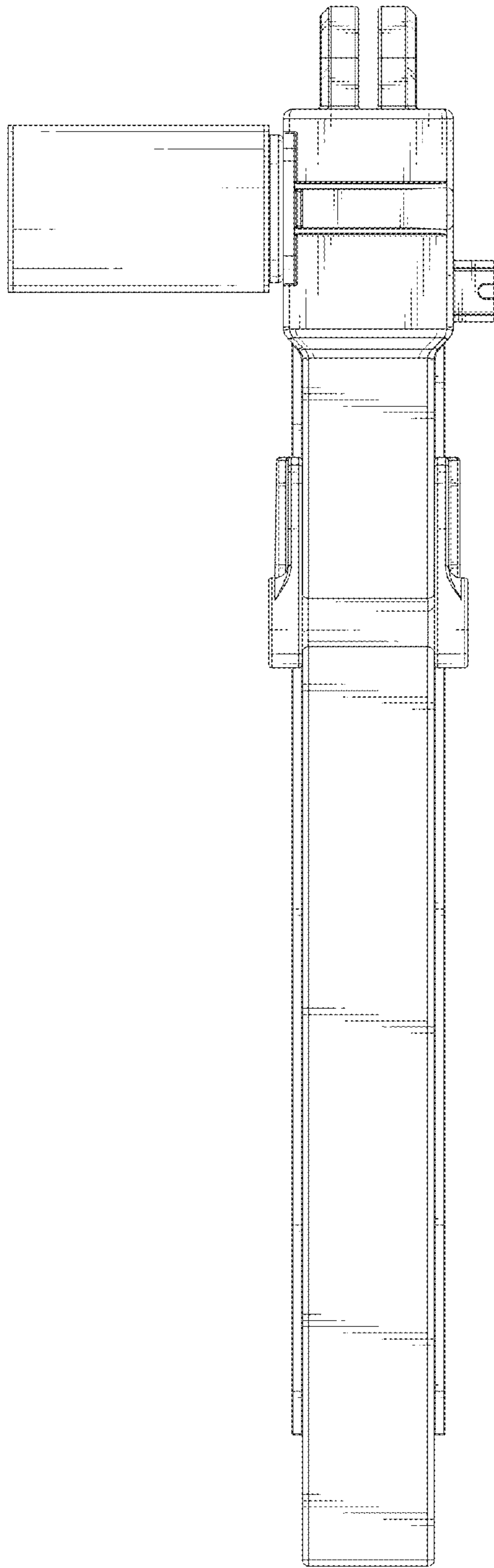


FIG.6

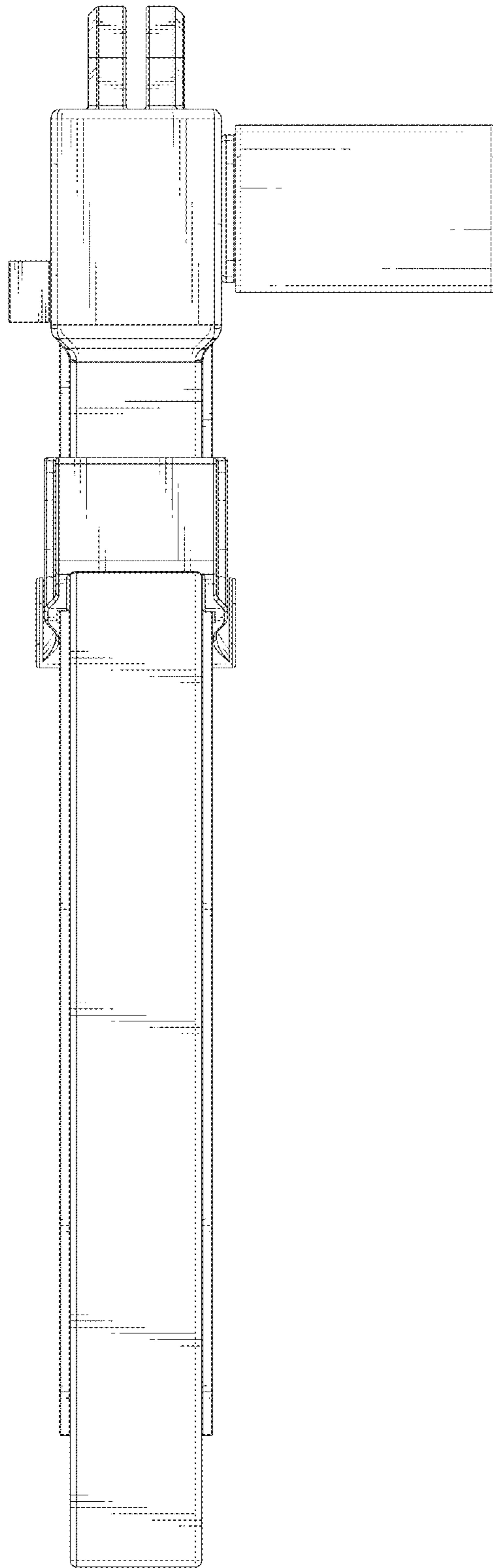


FIG. 7

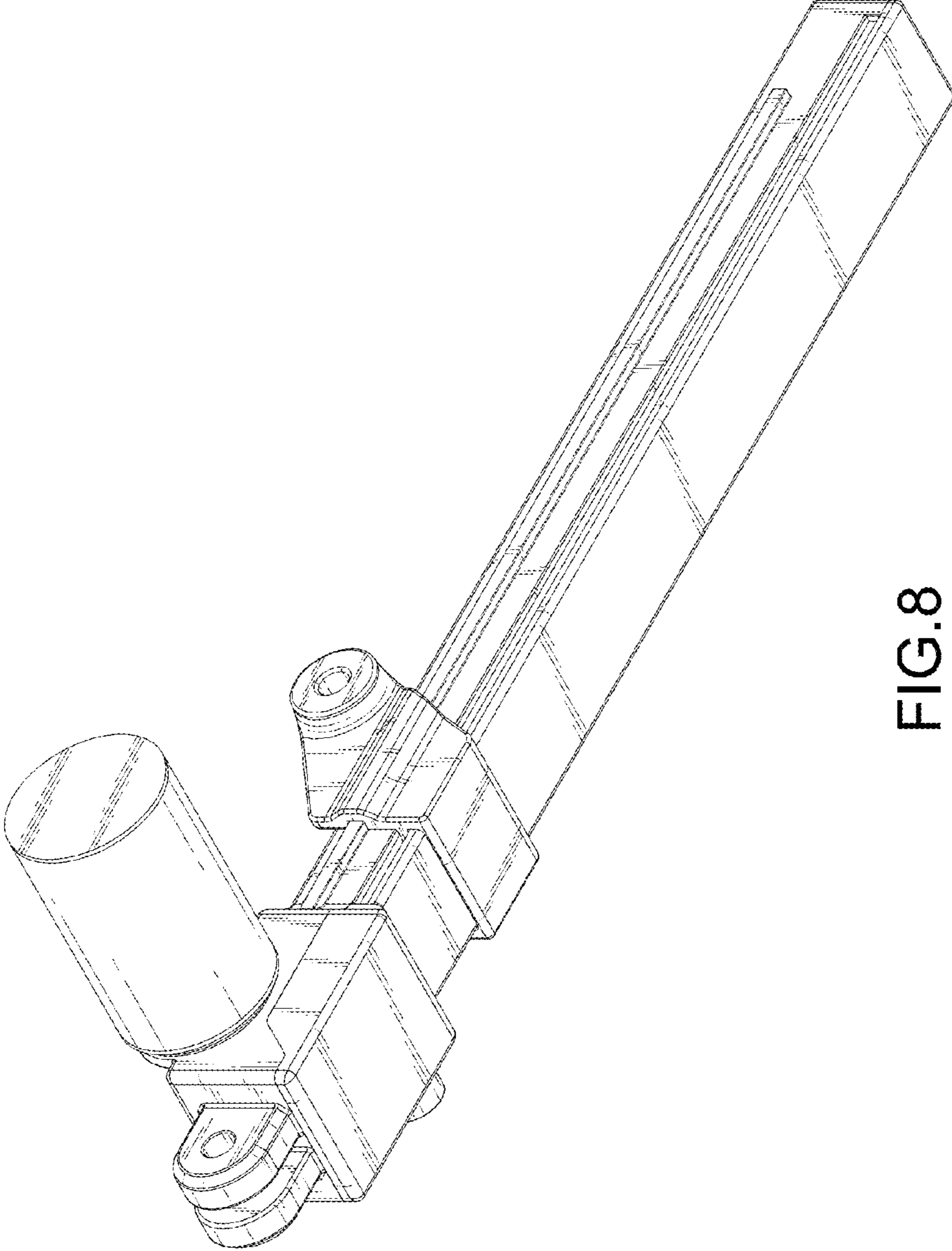


FIG. 8



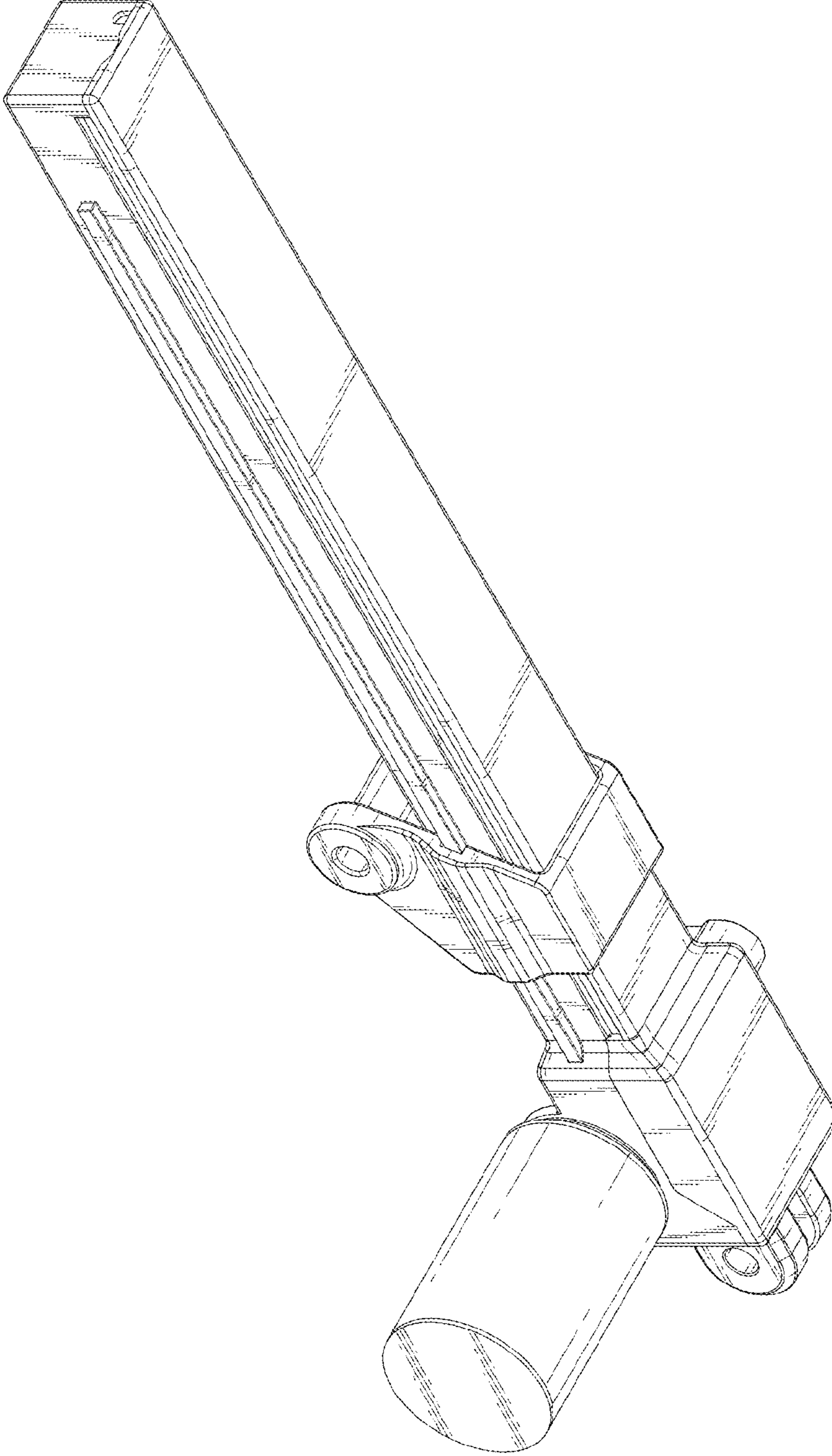


FIG.9