



US00D765748S

(12) **United States Design Patent**  
**Bøgelund et al.**

(10) **Patent No.:** **US D765,748 S**

(45) **Date of Patent:** **\*\* Sep. 6, 2016**

(54) **LINEAR ACTUATOR**

(71) Applicant: **LINAK A/S**, Nordborg (DK)

(72) Inventors: **Lisbeth Bøgelund**, Nordborg (DK);  
**Ulrik Juncher**, Sydals (DK); **René Sørensen**, Gråsten (DK)

(73) Assignee: **Linak A/S**, Nordborg (DK)

(\*\*) Term: **14 Years**

(21) Appl. No.: **29/515,802**

(22) Filed: **Jan. 27, 2015**

(30) **Foreign Application Priority Data**

Jul. 29, 2014 (DK) ..... 2014 00071

(51) **LOC (10) Cl.** ..... **15-09**

(52) **U.S. Cl.**  
USPC ..... **D15/143**

(58) **Field of Classification Search**  
USPC ..... D15/143, 148, 199  
See application file for complete search history.

(56) **References Cited**

**U.S. PATENT DOCUMENTS**

D458,284 S *	6/2002	Landerholm	.....	D15/143
D514,146 S *	1/2006	Haneball	.....	D15/143
D577,753 S *	9/2008	Lund	.....	D15/143
D589,991 S *	4/2009	Chen	.....	D15/143
D594,487 S *	6/2009	Lund	.....	D15/143
D596,652 S *	7/2009	Roither	.....	D15/143

D632,321 S *	2/2011	Wu	.....	D15/143
D646,310 S *	10/2011	Lan	.....	D15/143
D654,524 S *	2/2012	Iversen	.....	D15/199
D656,975 S *	4/2012	Tseng	.....	D15/143
D686,260 S *	7/2013	Wu	.....	D15/143
D686,648 S *	7/2013	Wu	.....	D15/143
D696,704 S *	12/2013	Battistella	.....	D15/143
2005/0264109 A1 *	12/2005	Abrahamsen	.....	F16H 25/20 310/20

\* cited by examiner

*Primary Examiner* — Patricia Palasik

(74) *Attorney, Agent, or Firm* — Dykema Gossett PLLC

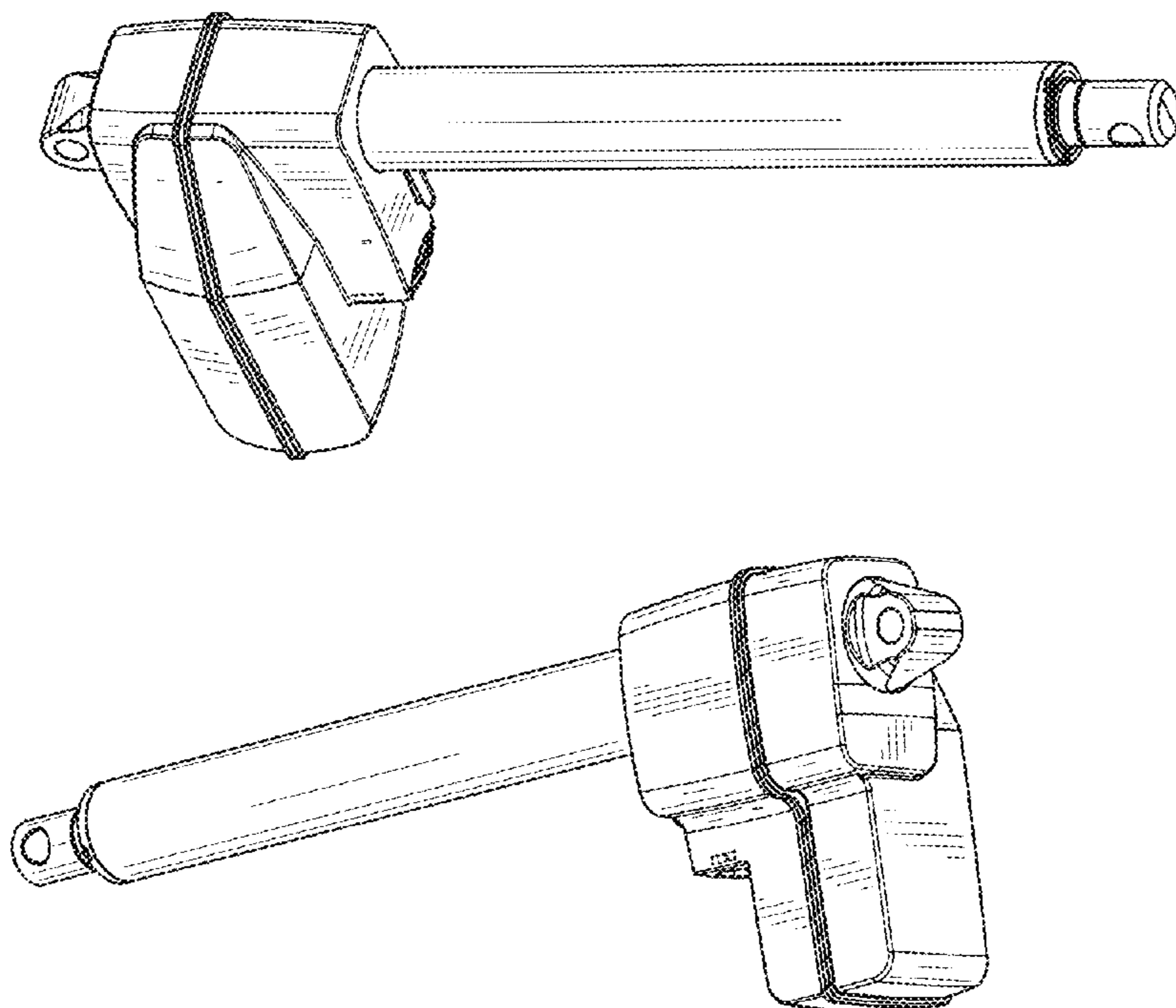
(57) **CLAIM**

The ornamental design for a linear actuator, as shown and described.

**DESCRIPTION**

FIG. 1 is a first perspective view of a linear actuator showing our new and ornamental design, FIG. 2 is a second perspective view thereof, FIG. 3 is a front view thereof, FIG. 4 is a top view thereof, FIG. 5 is a rear view thereof, FIG. 6 is a bottom view thereof, FIG. 7 is a first end view thereof; and, FIG. 8 is a second, opposite end view thereof. The broken lines in the drawings depict unclaimed environmental subject matter.

**1 Claim, 8 Drawing Sheets**



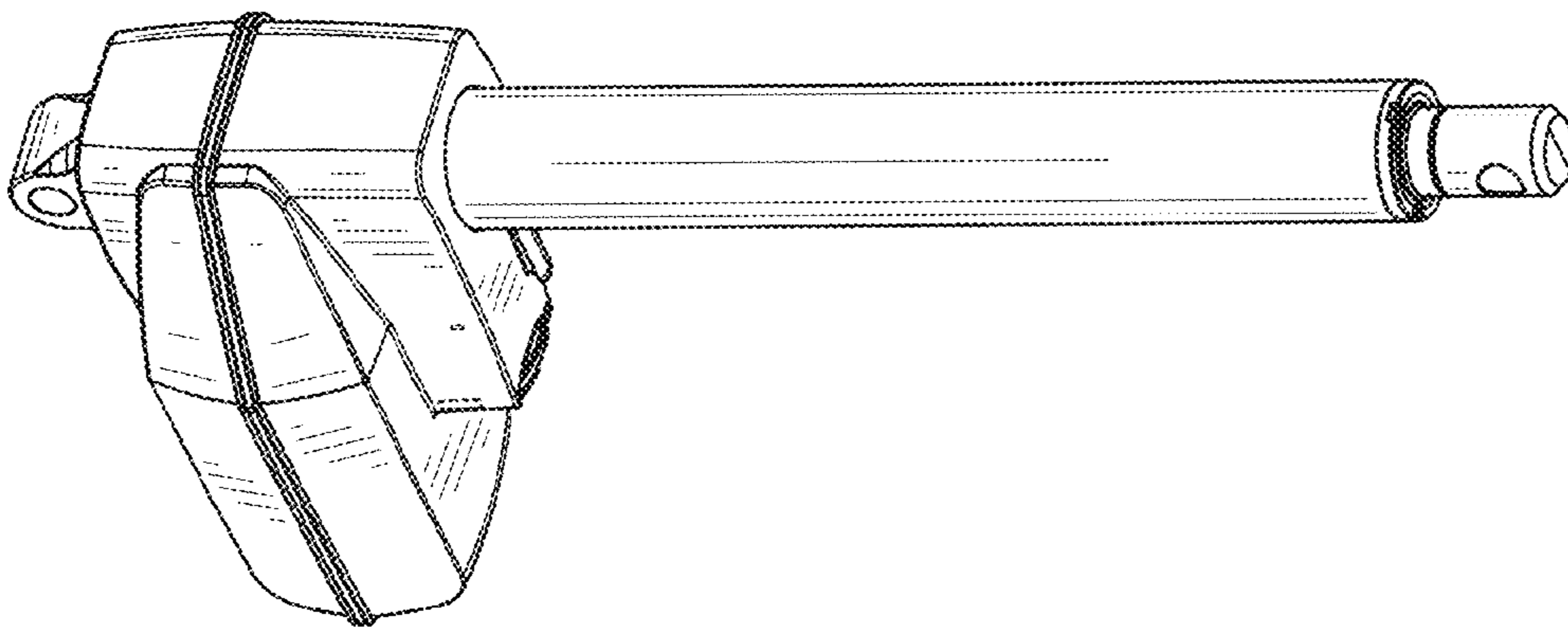


FIG. 1

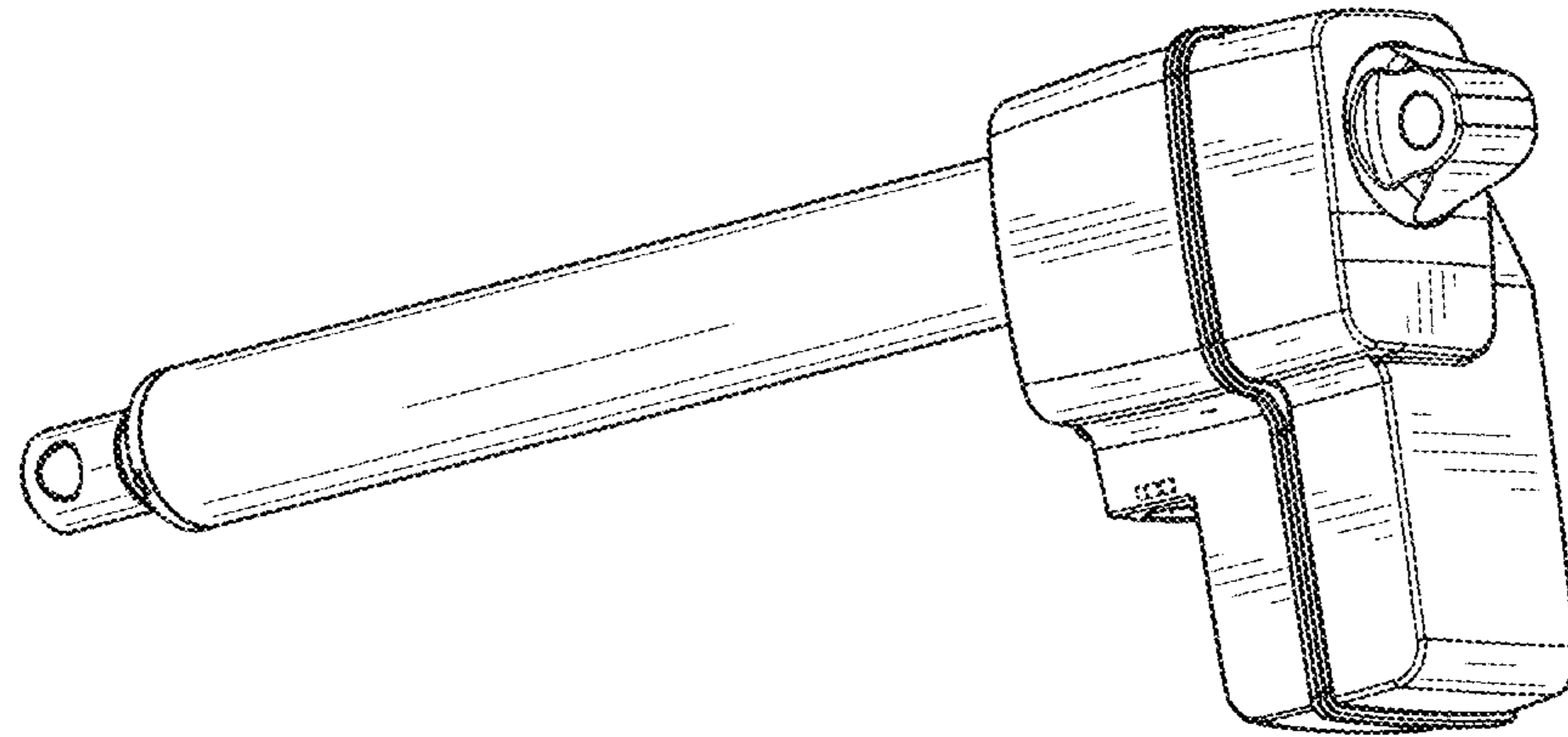


FIG. 2

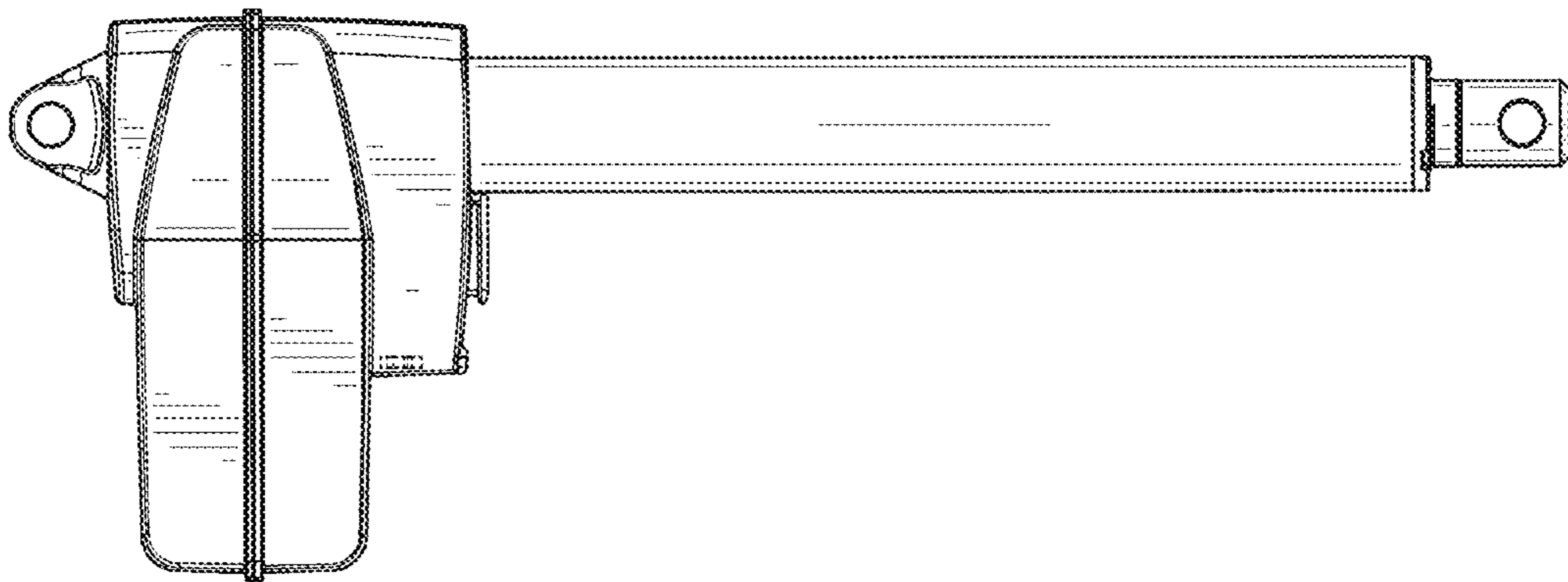


FIG. 3

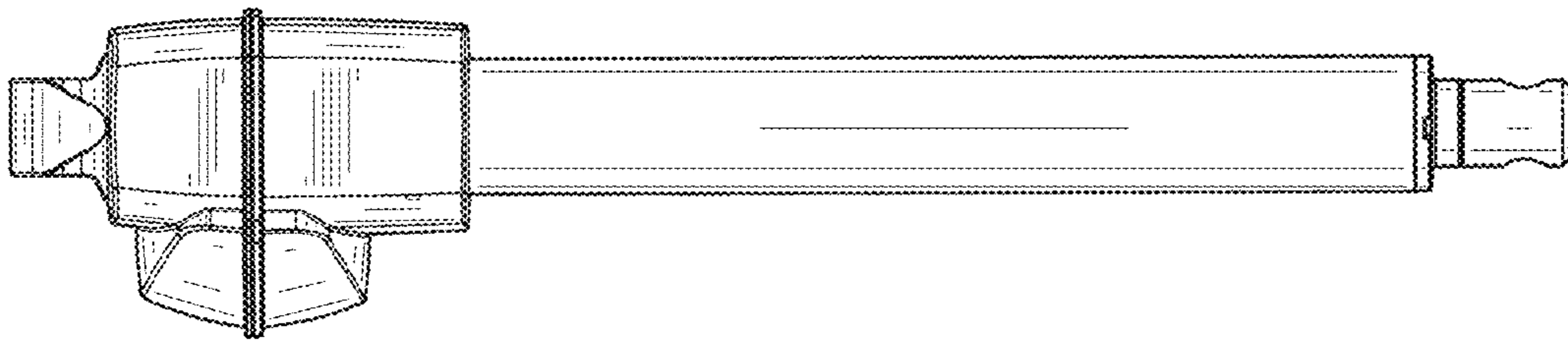


FIG. 4

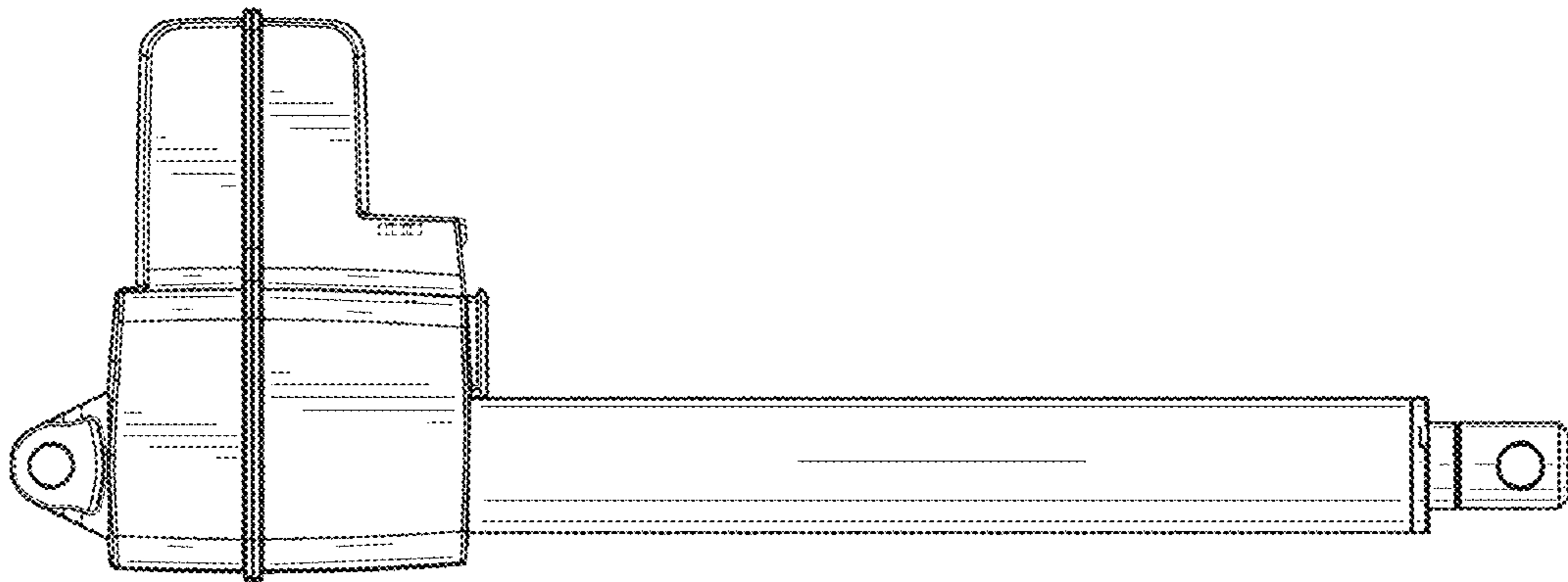


FIG. 5

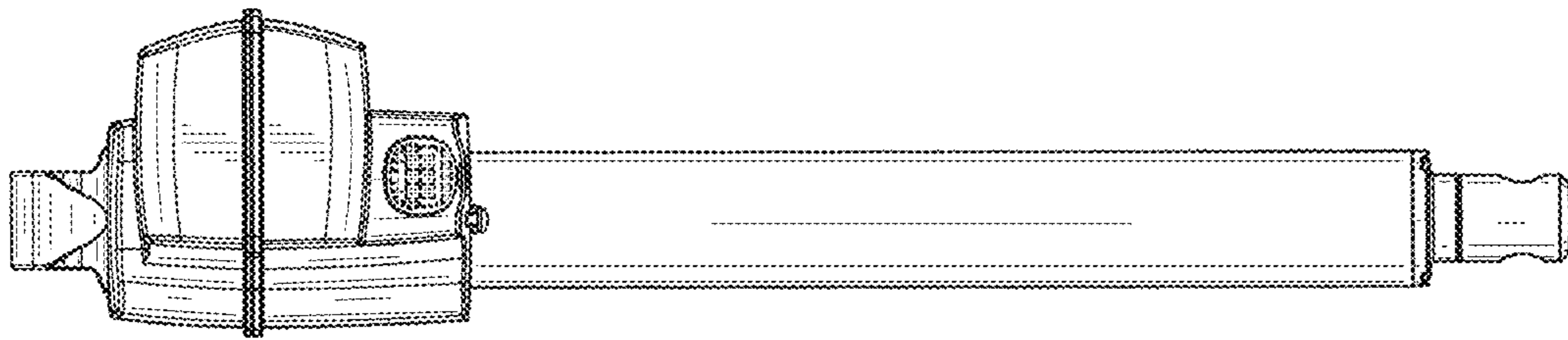


FIG. 6

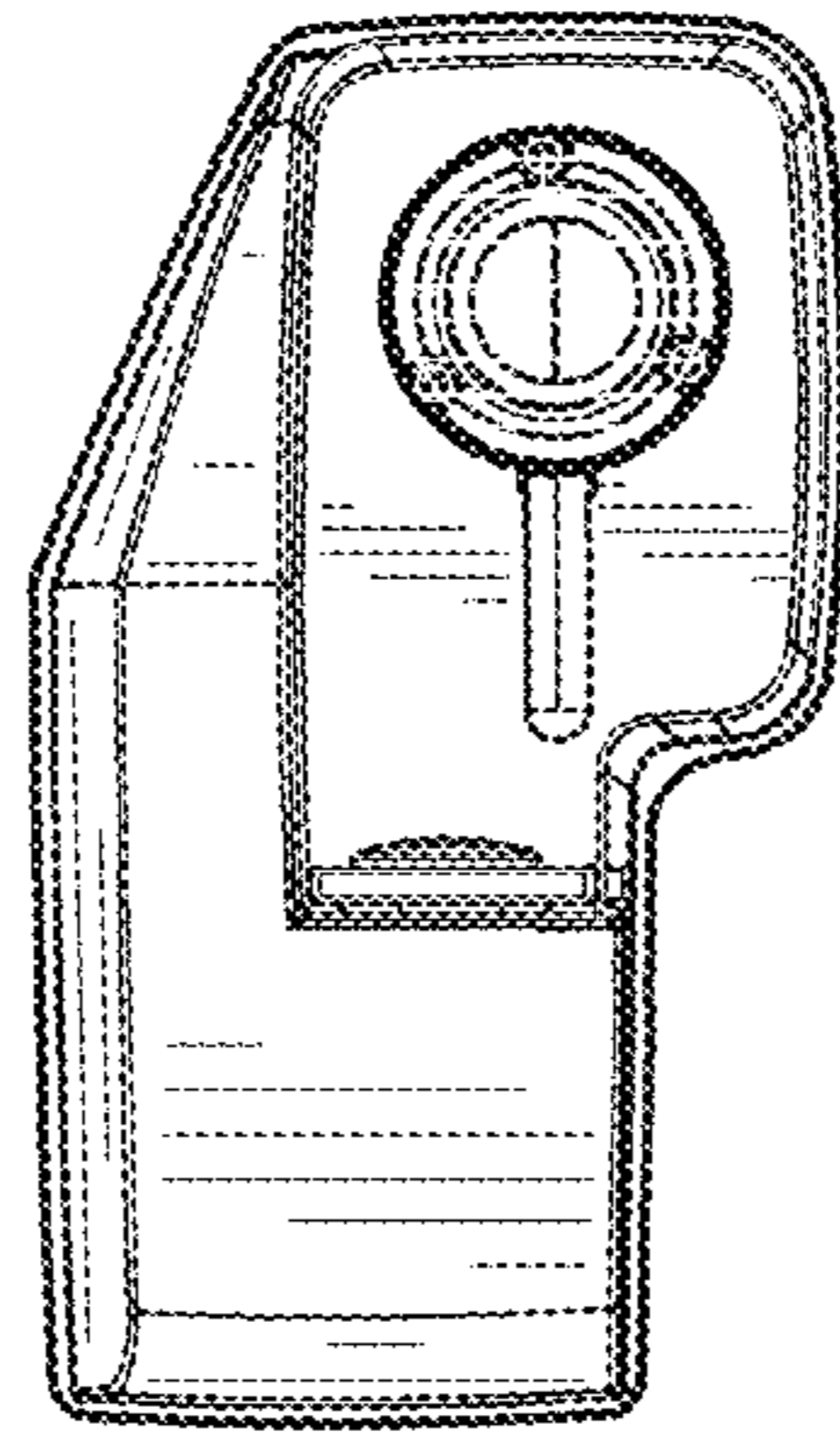


FIG. 7



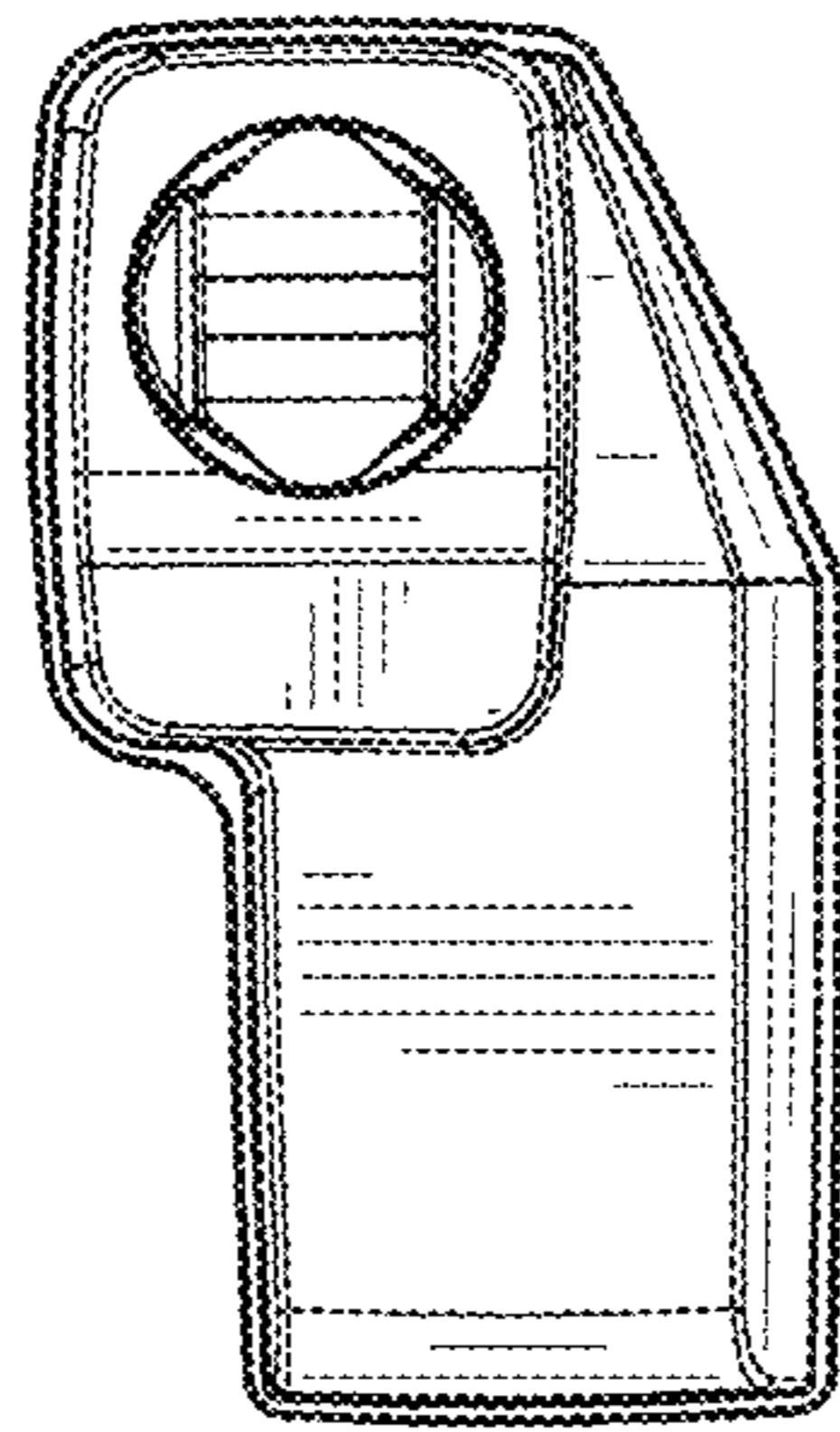


FIG. 8