

US00D765746S

(12) **United States Design Patent** (10) **Patent No.:** **US D765,746 S**  
**Johnston et al.** (45) **Date of Patent:** **\*\* Sep. 6, 2016**

- (54) **PUNCH HOLDER**
- (71) Applicant: **WILSON TOOL INTERNATIONAL INC.**, White Bear Lake, MN (US)
- (72) Inventors: **Kevin A. Johnston**, Deer Park, WI (US); **Joseph Daniel Broadbent**, Stacy, MN (US); **Anthony D. Schwartz**, Forest Lake, MN (US)
- (73) Assignee: **WILSON TOOL INTERNATIONAL INC.**, White Bear Lake, MN (US)
- (\*\*) Term: **15 Years**
- (21) Appl. No.: **29/540,781**
- (22) Filed: **Sep. 28, 2015**

**Related U.S. Application Data**

- (62) Division of application No. 29/455,531, filed on May 21, 2013, now Pat. No. Des. 742,441.
- (51) **LOC (10) Cl.** ..... **15-09**
- (52) **U.S. Cl.**  
USPC ..... **D15/128**
- (58) **Field of Classification Search**  
USPC ..... D15/128; D19/65, 72  
See application file for complete search history.

(56) **References Cited**

**U.S. PATENT DOCUMENTS**

2,708,970 A *	5/1955	Taylor	.....	B21D 28/34 83/140
3,719,117 A *	3/1973	Mauk	.....	B21D 28/34 279/126
4,273,015 A	6/1981	Johnson		
4,824,298 A	4/1989	Lippacher et al.		
4,989,484 A	2/1991	Johnson et al.		
4,993,294 A *	2/1991	Chun	.....	B21D 45/006 83/139
5,017,157 A	5/1991	Liu et al.		
5,020,407 A	6/1991	Brinlee		

5,054,347 A	10/1991	Johnson et al.
5,056,392 A	10/1991	Johnson et al.
5,316,323 A	5/1994	Jovanovic
5,752,424 A	5/1998	Rosene et al.

(Continued)

**FOREIGN PATENT DOCUMENTS**

DE	19505754 C1	5/1996
FR	2012207 A1	3/1970

**OTHER PUBLICATIONS**

ISR and Written Opinion corresponding to PCT Application PCT/US2014/038704, mailed Feb. 20, 2015, 18 pages.

*Primary Examiner* — Patricia Palasik

(74) *Attorney, Agent, or Firm* — Fredrikson & Byron, P.A.

(57) **CLAIM**

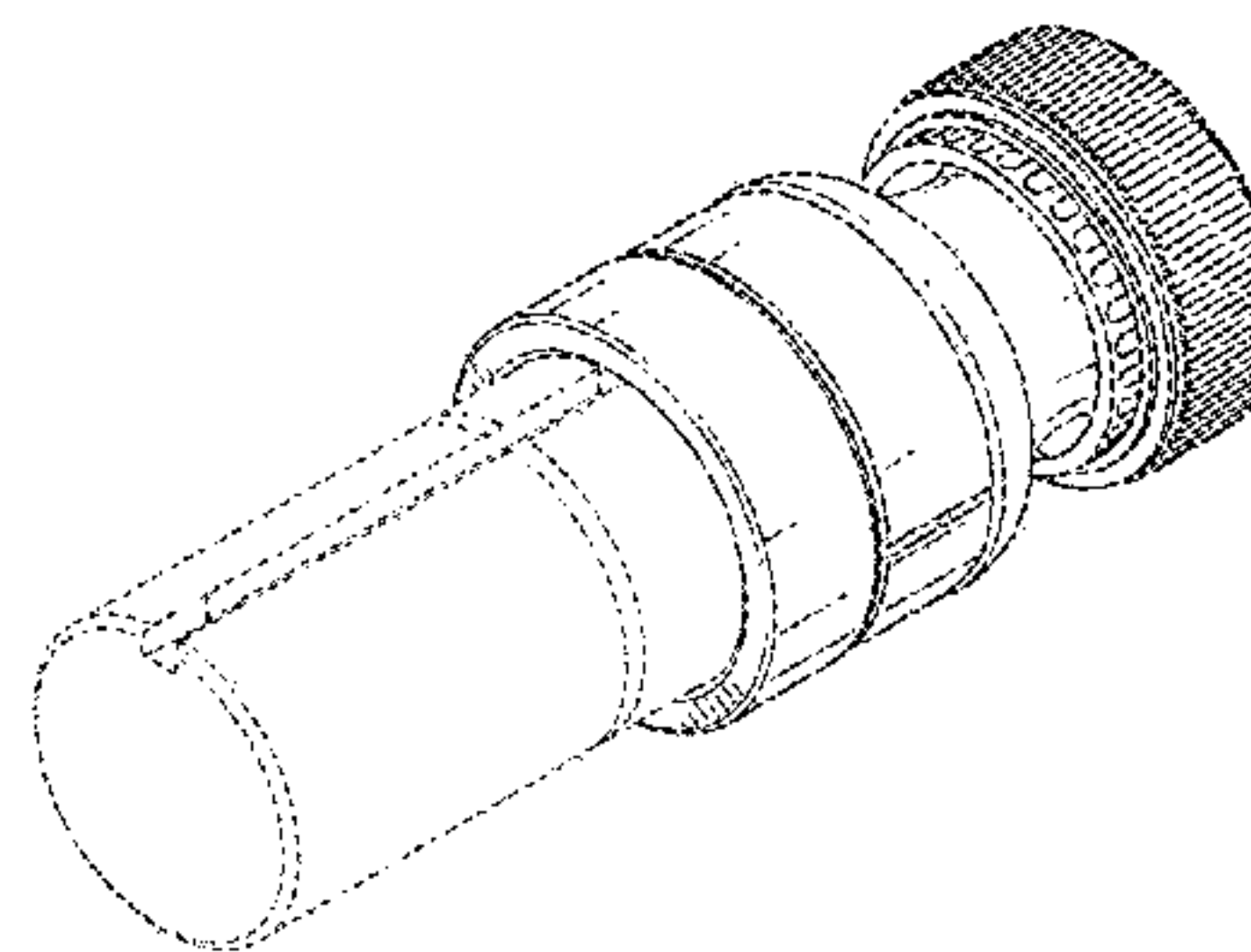
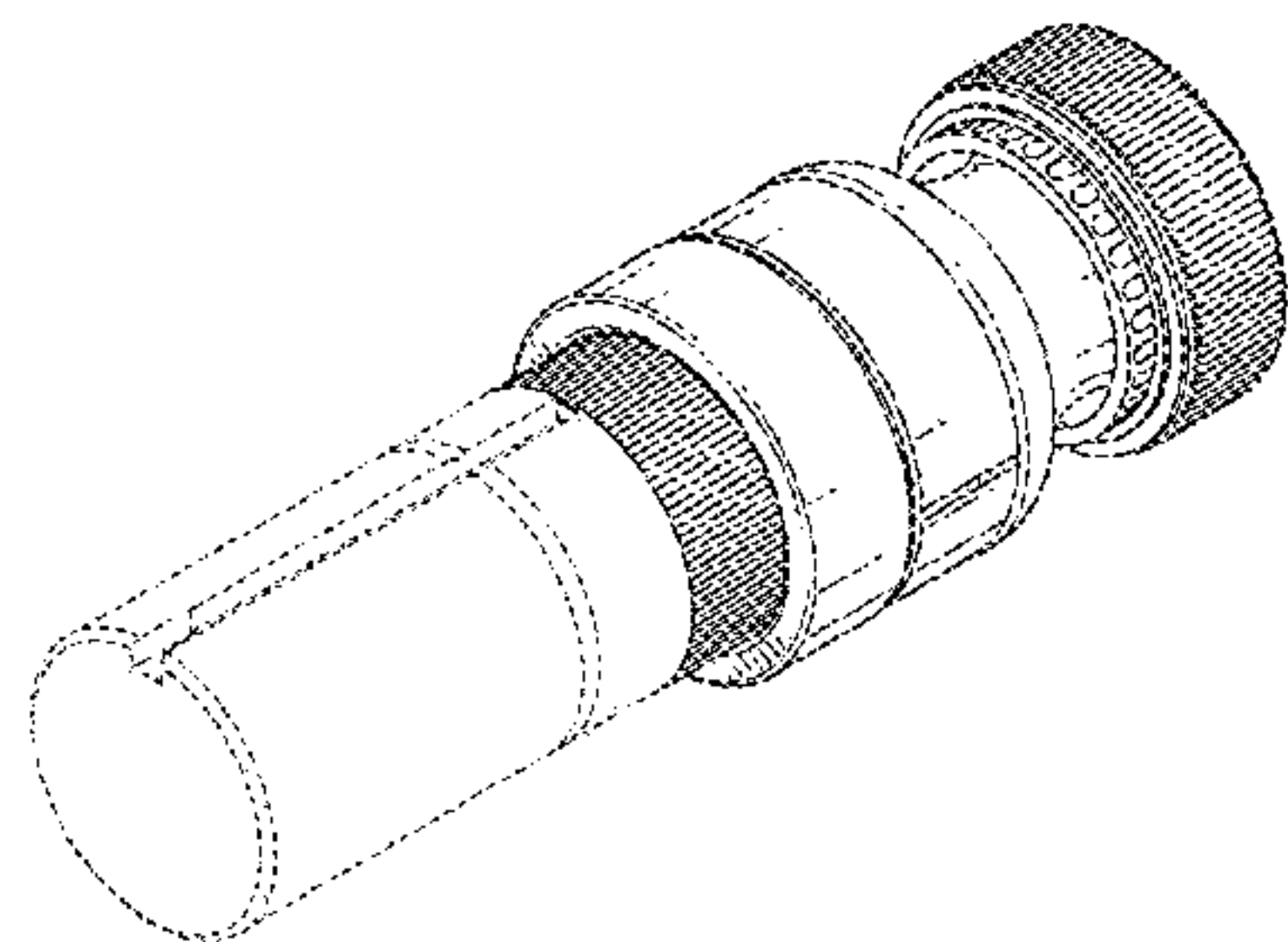
We claim the ornamental design for a punch holder, as shown and described.

**DESCRIPTION**

FIG. 1 is a perspective of our new design for a punch holder; FIG. 2 is front view thereof; FIG. 3 is a left side view thereof; FIG. 4 is a right side view thereof; FIG. 5 is a rear side view thereof; FIG. 6 is a top view thereof; FIG. 7 is a bottom view thereof; FIG. 8 is a perspective of a second embodiment of our new design for a punch holder; FIG. 9 is front view thereof; FIG. 10 is a left side view thereof; FIG. 11 is a right side view thereof; FIG. 12 is a rear side view thereof; FIG. 13 is a top view thereof; and, FIG. 14 is a bottom view thereof.

The broken lines showing the bottom portion of the punch holder form no part of the claimed design.

**1 Claim, 4 Drawing Sheets**



(56)

References Cited

U.S. PATENT DOCUMENTS

5,839,341 A 11/1998 Johnson et al.  
 5,884,546 A 3/1999 Johnson  
 5,992,285 A \* 11/1999 Talarico ..... B21D 28/34  
 83/684  
 6,082,516 A 7/2000 Willer  
 6,276,247 B1 8/2001 Helda  
 D458,308 S 6/2002 Hsuan  
 6,782,787 B2 8/2004 Morehead et al.  
 6,895,797 B2 5/2005 Lowry et al.  
 7,007,582 B2 3/2006 Iwamoto et al.  
 D526,667 S 8/2006 Sakamoto et al.  
 7,156,009 B2 1/2007 Iwamoto et al.  
 D615,569 S 5/2010 Greenleaf  
 7,726,554 B2 6/2010 Thielges et al.  
 7,926,399 B2 4/2011 Huang et al.  
 7,975,587 B2 7/2011 Schneider  
 D665,832 S 8/2012 Nguyen  
 D690,332 S 9/2013 Morehead et al.  
 D690,333 S 9/2013 Morehead et al.  
 D694,788 S 12/2013 Carper

D742,441 S \* 11/2015 Johnston ..... D15/128  
 2002/0007714 A1 \* 1/2002 Ohtsuka ..... B21D 19/08  
 83/698.31  
 2002/0162440 A1 \* 11/2002 Ostini ..... B21D 28/12  
 83/552  
 2003/0015079 A1 \* 1/2003 Talarico ..... B21D 28/34  
 83/698.91  
 2003/0027699 A1 \* 2/2003 Brodie ..... B21D 37/04  
 483/28  
 2004/0163507 A1 \* 8/2004 Voves ..... B25G 1/08  
 81/487  
 2007/0180723 A1 8/2007 Morgan  
 2007/0193323 A1 8/2007 Coelho et al.  
 2008/0314220 A1 12/2008 Ferry et al.  
 2009/0223032 A1 9/2009 Huang et al.  
 2009/0266209 A1 10/2009 Thielges et al.  
 2010/0132530 A1 6/2010 Chen  
 2011/0203417 A1 8/2011 Hill, III  
 2013/0118331 A1 5/2013 Morehead et al.  
 2013/0288743 A1 10/2013 Hunt et al.  
 2013/0319200 A1 12/2013 Johnston et al.  
 2014/0345435 A1 \* 11/2014 Johnston ..... B21D 37/04  
 83/698.91

\* cited by examiner

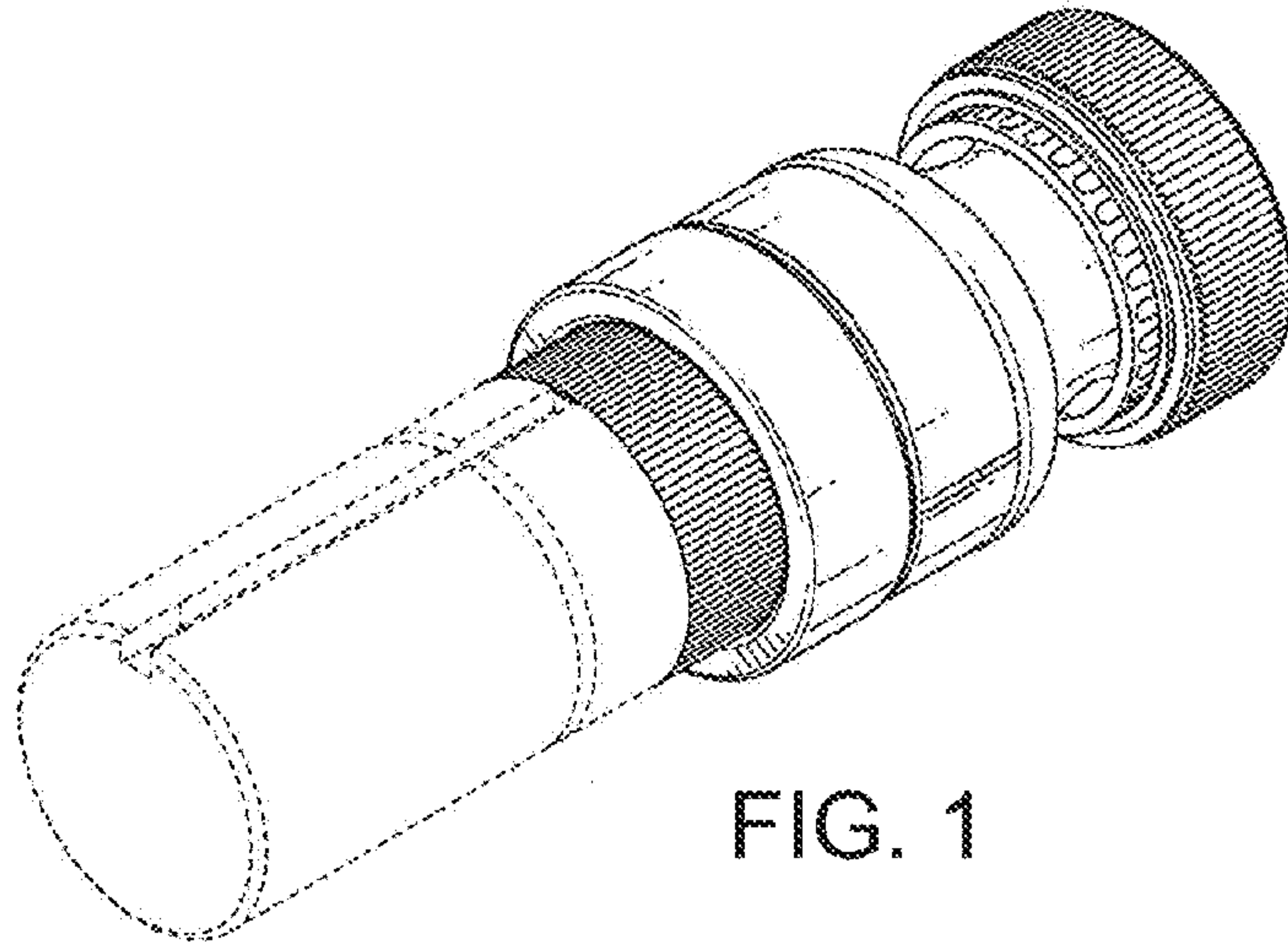


FIG. 1

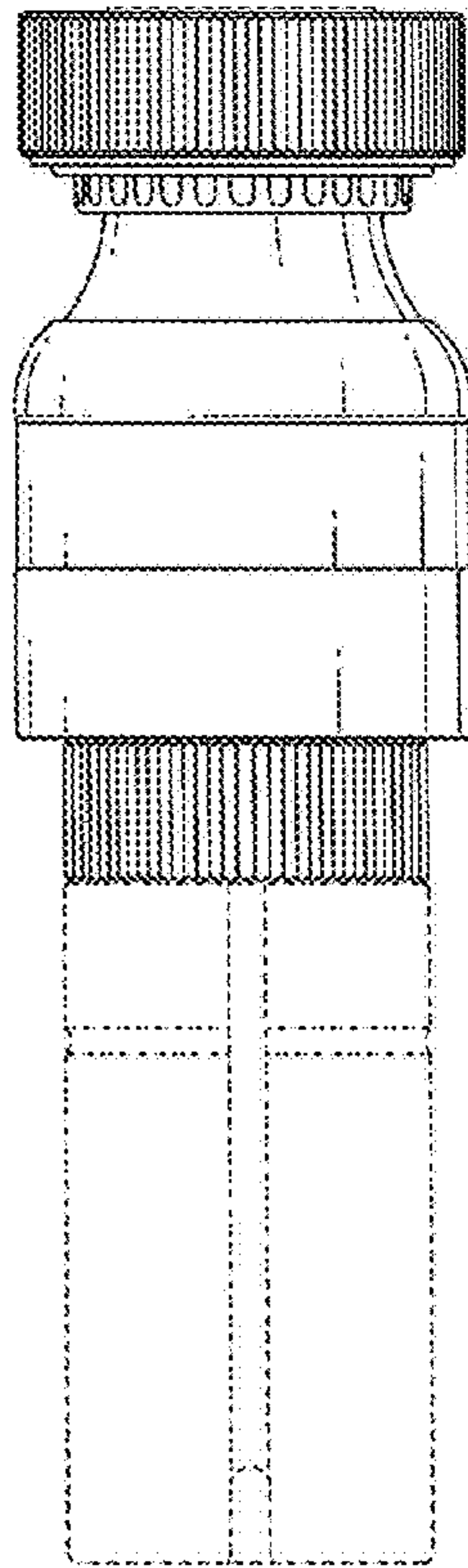


FIG. 2

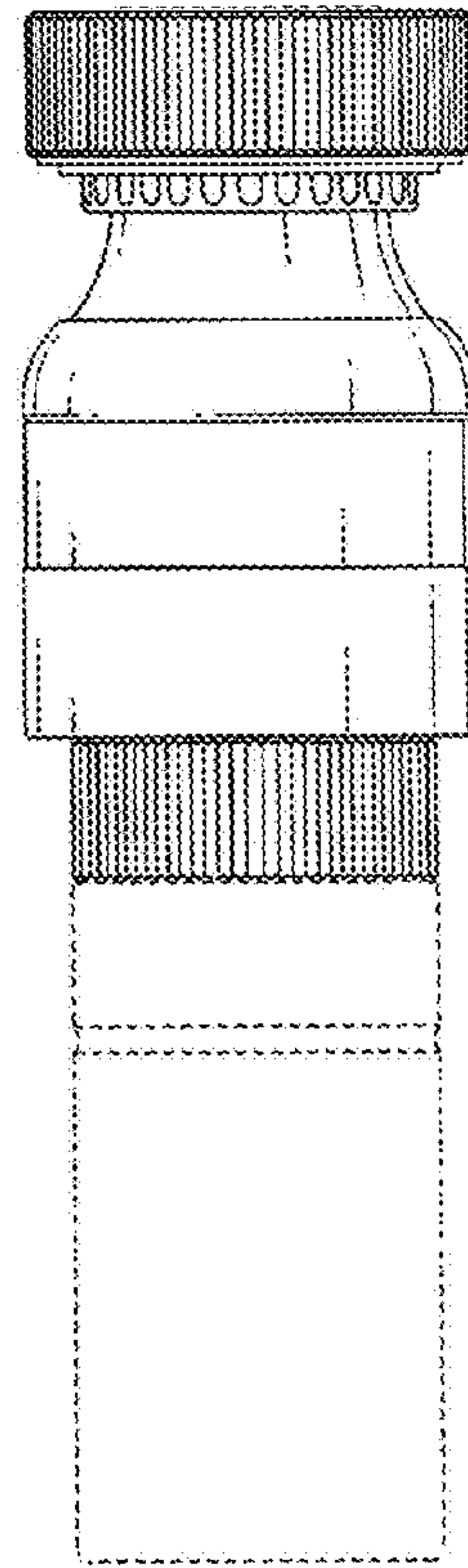


FIG. 3



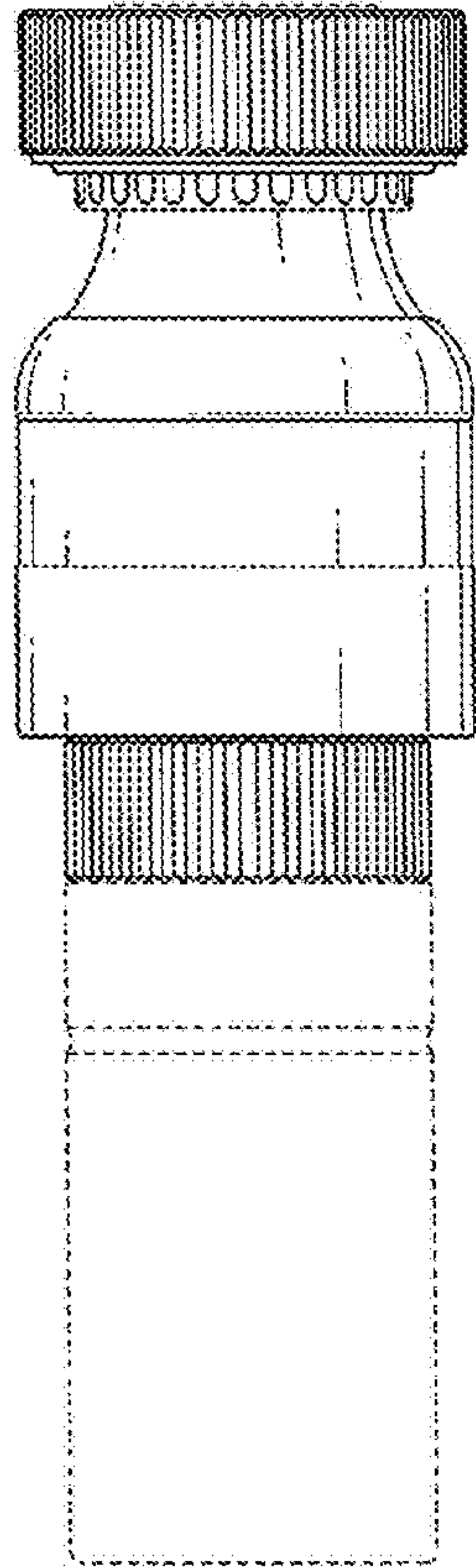


FIG. 4

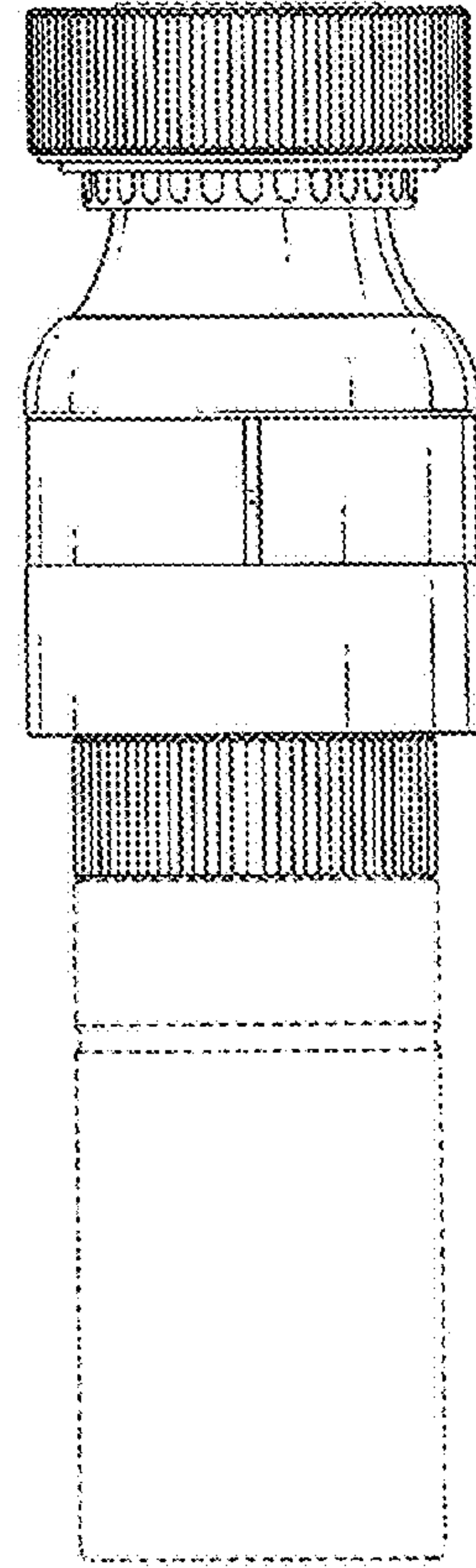


FIG. 5

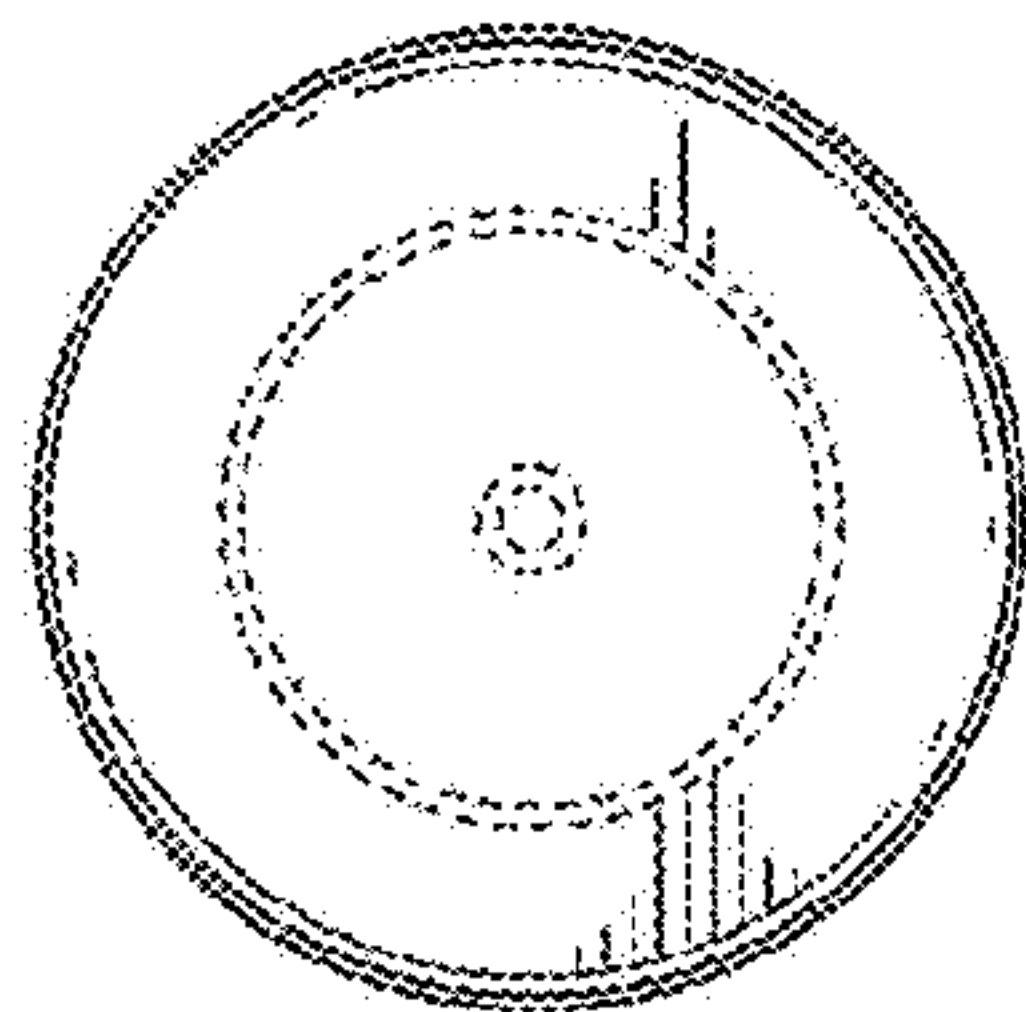


FIG. 6

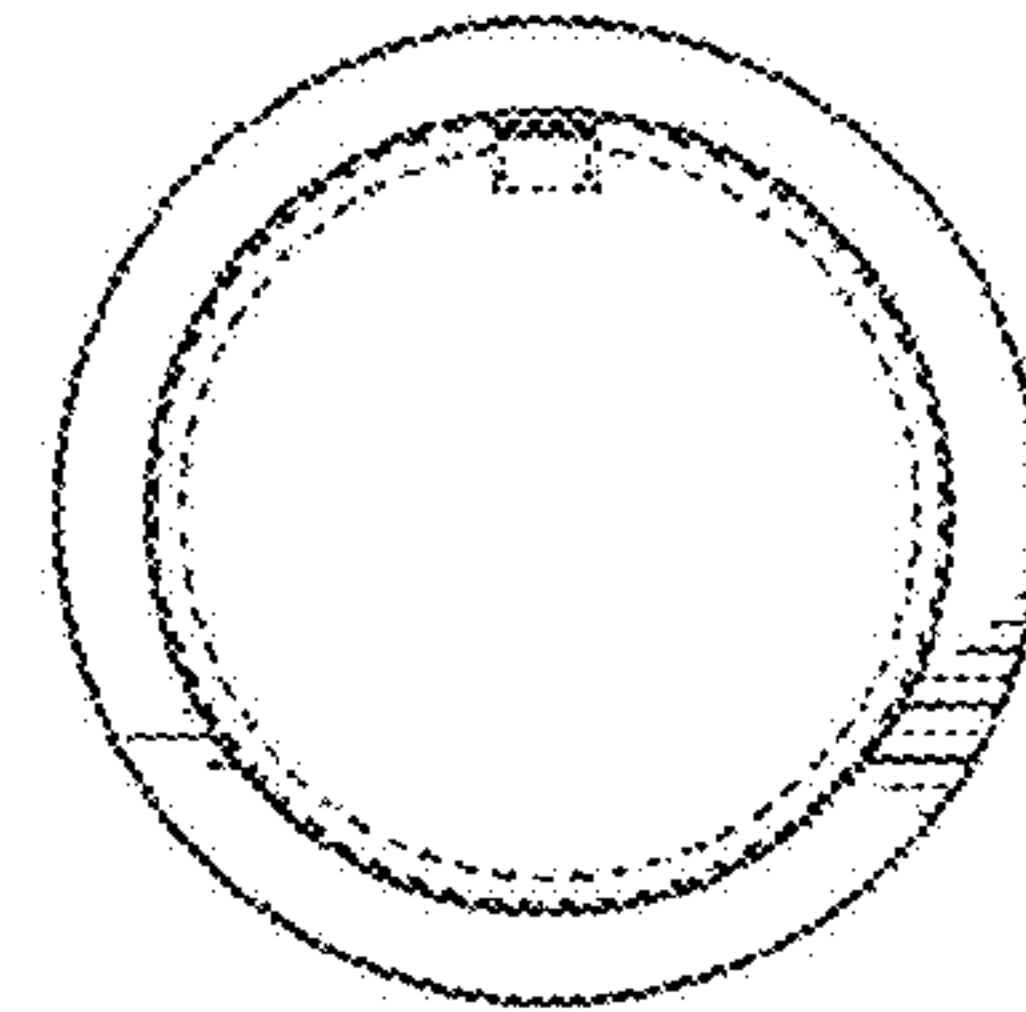


FIG. 7

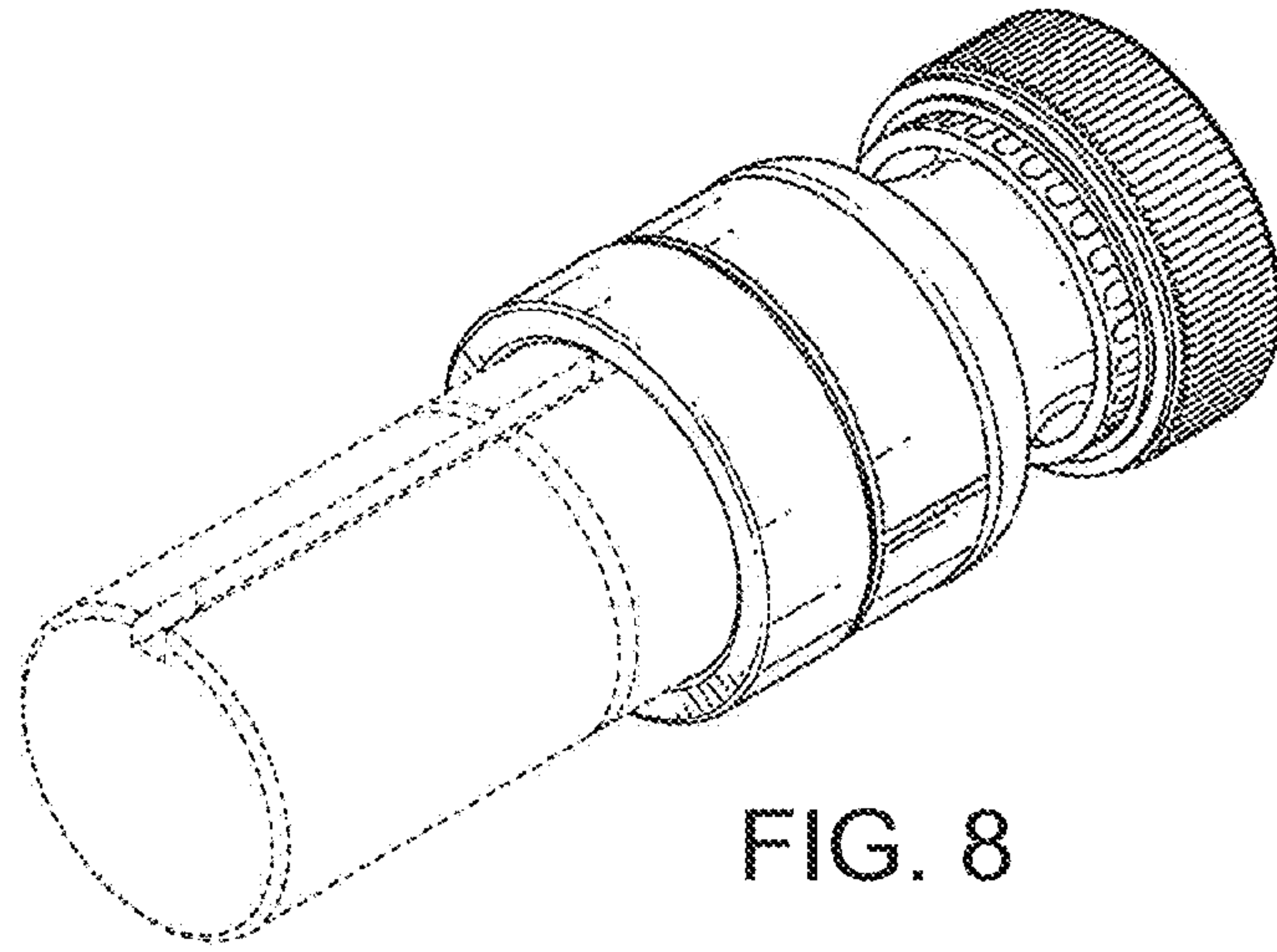


FIG. 8

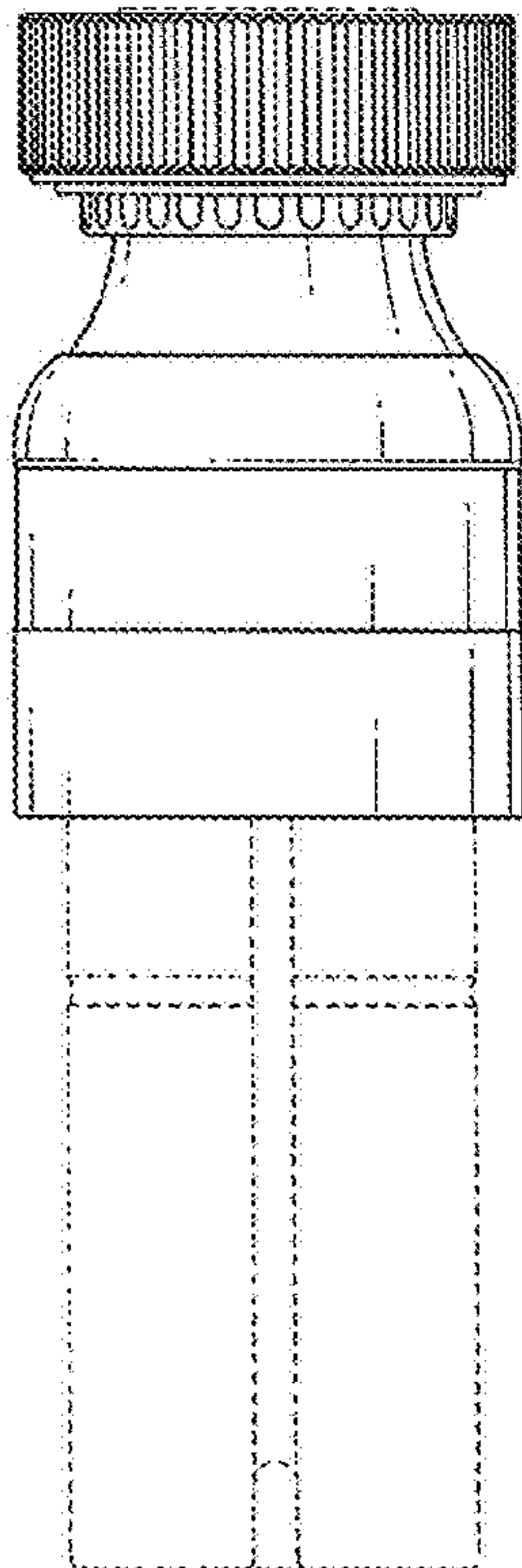


FIG. 9

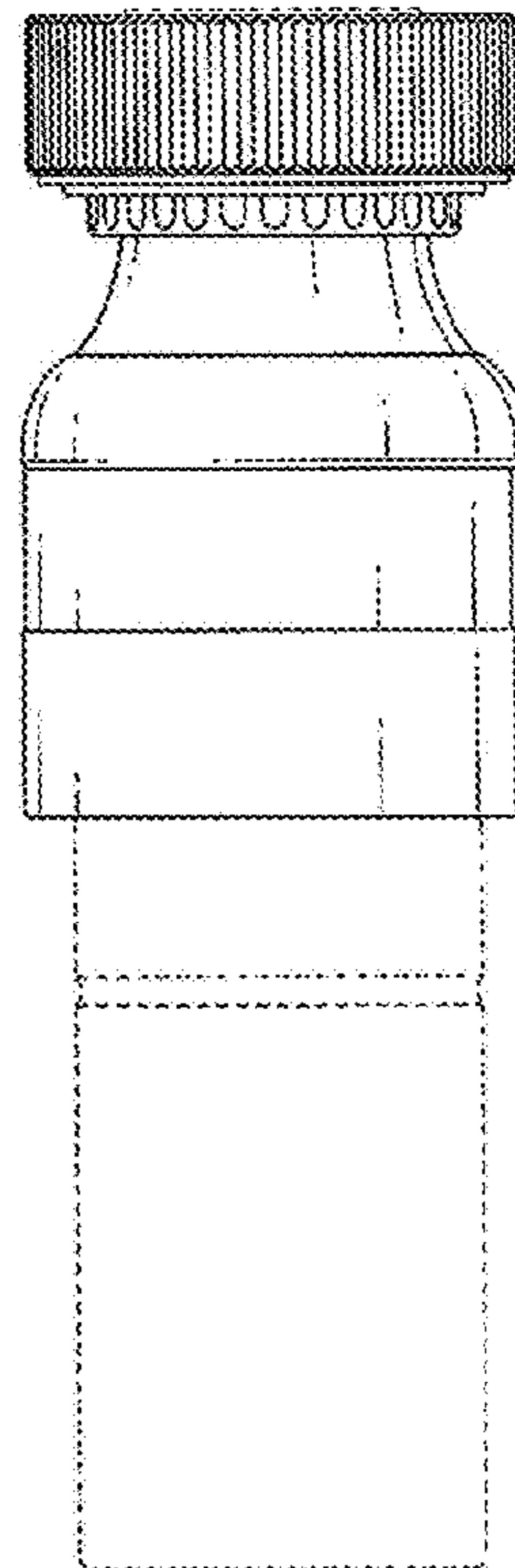


FIG. 10

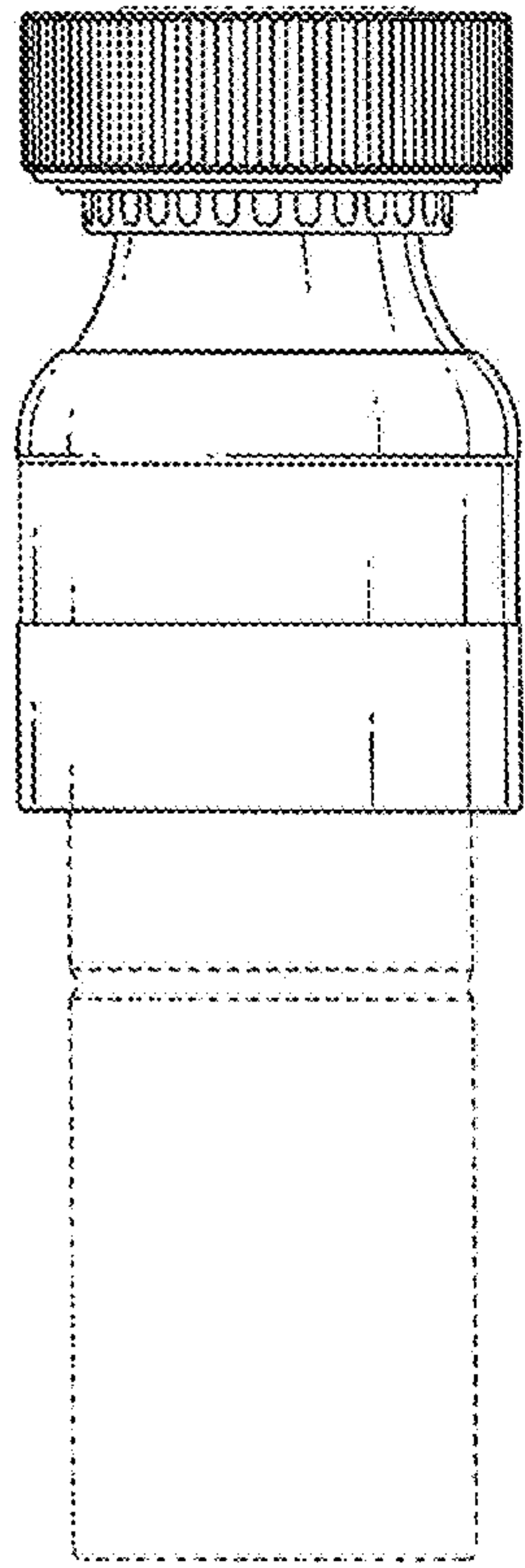


FIG. 11

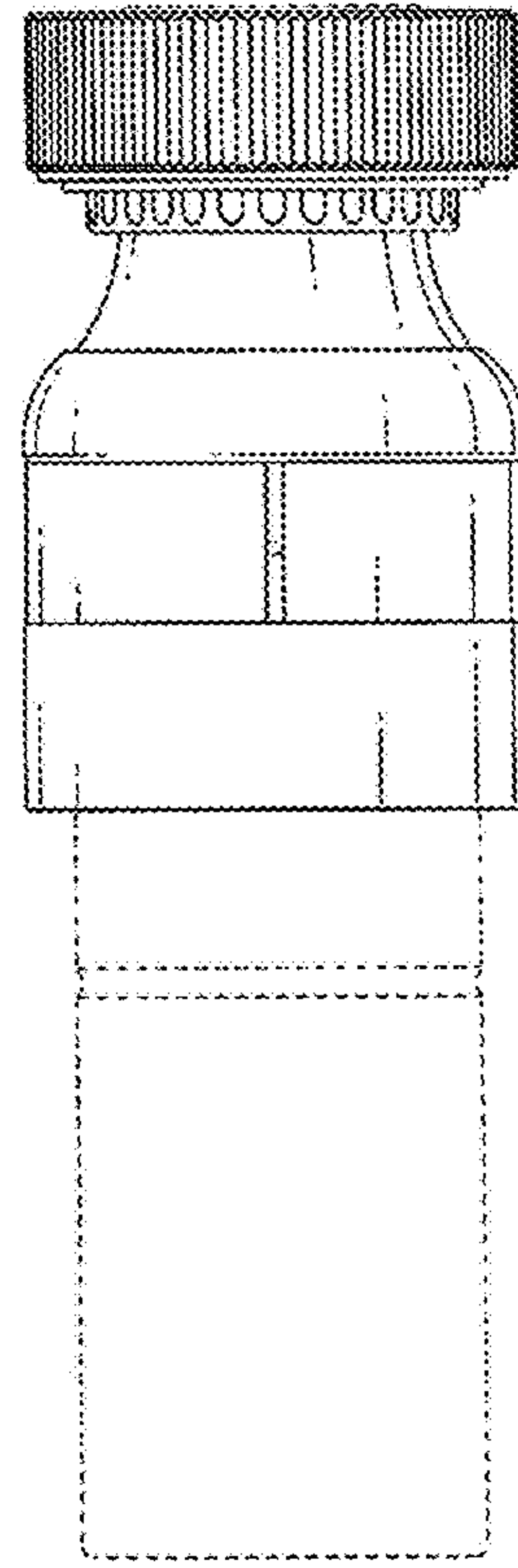


FIG. 12

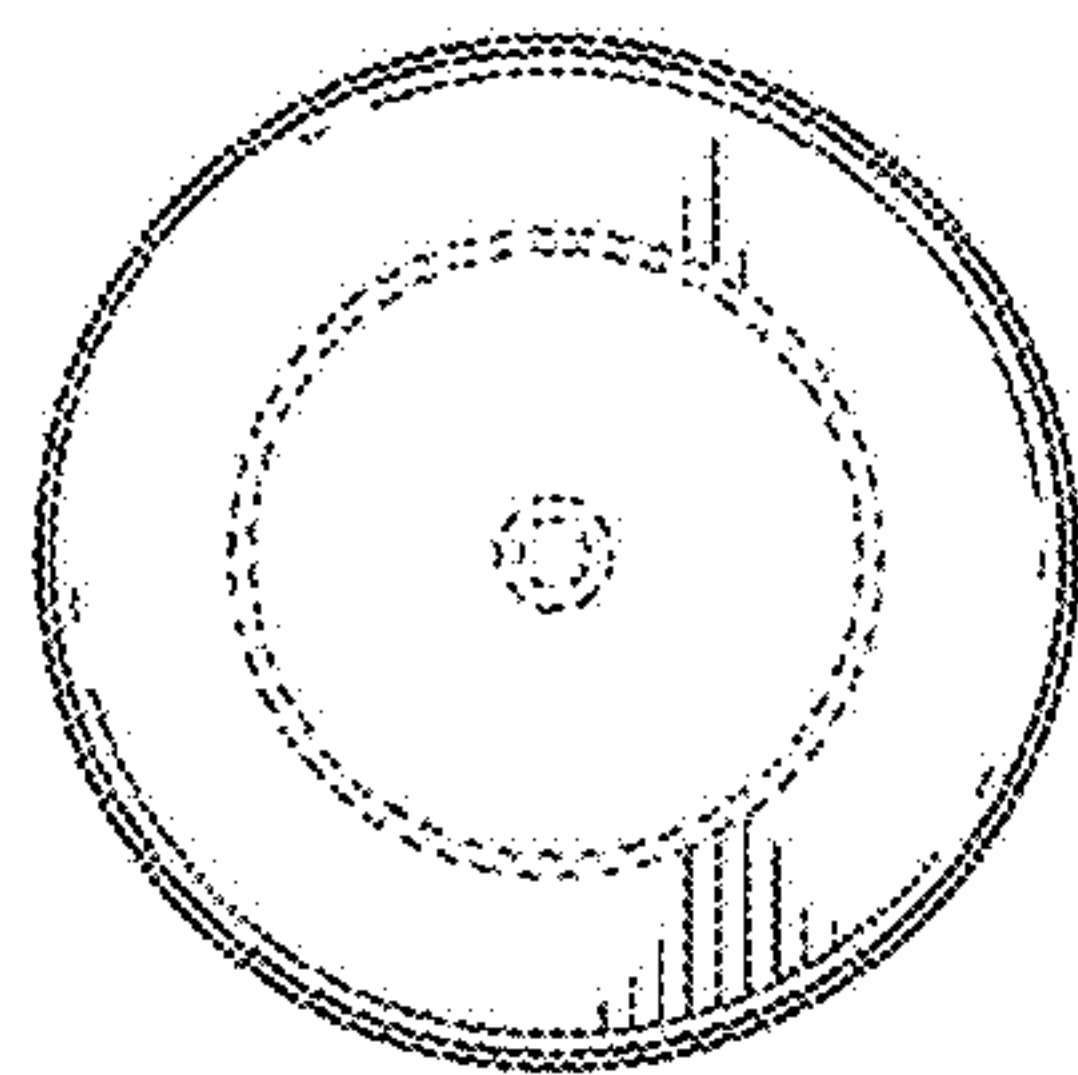


FIG. 13

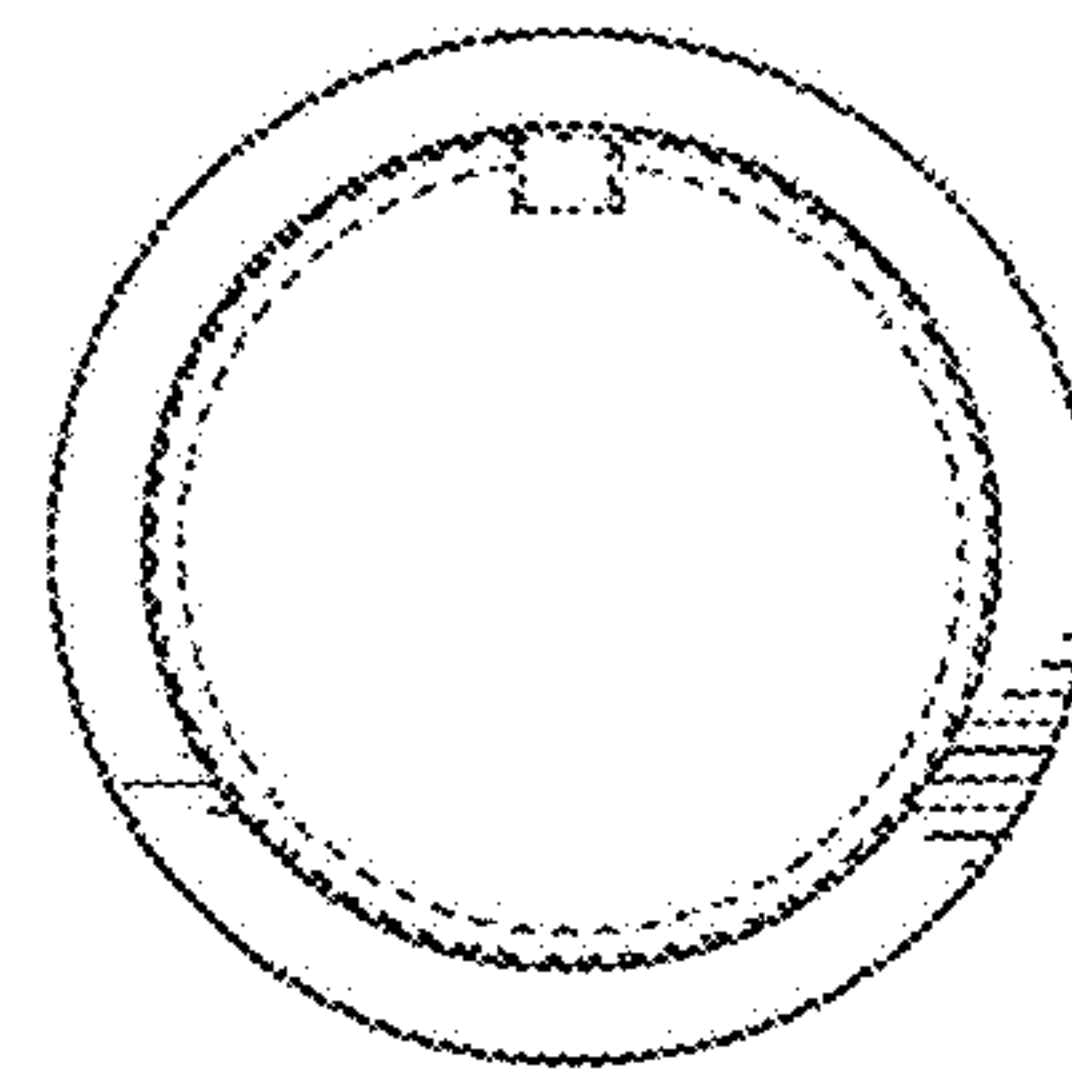


FIG. 14

UNITED STATES PATENT AND TRADEMARK OFFICE  
**CERTIFICATE OF CORRECTION**

PATENT NO. : D765,746 S  
APPLICATION NO. : 29/540781  
DATED : September 6, 2016  
INVENTOR(S) : Johnston et al.

Page 1 of 9

It is certified that error appears in the above-identified patent and that said Letters Patent is hereby corrected as shown below:

On the Title Page

Delete the title page and substitute therefore with the attached title page consisting of the corrected illustrative figure(s)

Item (57), Figure Description should read as follows:

-- Figure 1 is a perspective of our new design for a PUNCH HOLDER;  
Figure 2 is front view thereof;  
Figure 3 is a left side view thereof;  
Figure 4 is a right side view thereof;  
Figure 5 is a rear side view thereof;  
Figure 6 is a top view thereof;  
Figure 7 is a bottom view thereof;  
Figure 8 is a perspective of a second embodiment of our new design for a PUNCH HOLDER;  
Figure 9 is front view thereof;  
Figure 10 is a left side view thereof;  
Figure 11 is a right side view thereof;  
Figure 12 is a rear side view thereof;  
Figure 13 is a top view thereof; and  
Figure 14 is a bottom view thereof.  
Figure 15 is a perspective of a third embodiment of our new design for a PUNCH HOLDER;  
Figure 16 is front view thereof;  
Figure 17 is a left side view thereof;  
Figure 18 is a right side view thereof;  
Figure 19 is a rear side view thereof;  
Figure 20 is a top view thereof; and  
Figure 21 is a bottom view thereof. --

Signed and Sealed this  
Eighteenth Day of April, 2017



Michelle K. Lee  
Director of the United States Patent and Trademark Office

**CERTIFICATE OF CORRECTION (continued)**  
**U.S. Pat. No. D765,746 S**

In the Drawings

Please replace FIGS. 1-21 with FIGS. 1-21 as shown on the attached pages



(12) **United States Design Patent** (10) **Patent No.:** **US D765,746 S**  
**Johnston et al.** (45) **Date of Patent:** **\*\* Sep. 6, 2016**

(54) **PUNCH HOLDER**  
 (71) Applicant: **WILSON TOOL INTERNATIONAL INC.**, White Bear Lake, MN (US)  
 (72) Inventors: **Kevin A. Johnston**, Deer Park, WI (US); **Joseph Daniel Broadbent**, Stacy, MN (US); **Anthony D. Schwartz**, Forest Lake, MN (US)  
 (73) Assignee: **WILSON TOOL INTERNATIONAL INC.**, White Bear Lake, MN (US)  
 (\*\*) Term: **15 Years**  
 (21) Appl. No.: **29/540,781**  
 (22) Filed: **Sep. 28, 2015**

**Related U.S. Application Data**

(62) Division of application No. 29/455,531, filed on May 21, 2013, now Pat. No. Des. 742,441.  
 (51) **LOC (10) Cl.** ..... **15-09**  
 (52) **U.S. CL**  
 USPC ..... **D15/128**  
 (58) **Field of Classification Search**  
 USPC ..... **D15/128; D19/65, 72**  
 See application file for complete search history.

(56) **References Cited**

**U.S. PATENT DOCUMENTS**

2,708,970 A \* 5/1955 Taylor ..... B21D 28/34  
 83:140  
 3,719,117 A \* 3/1973 Mauk ..... B21D 28/34  
 279:126  
 4,273,015 A 5/1981 Johnson  
 4,824,298 A 4/1989 Lippacher et al.  
 4,989,484 A 2/1991 Johnson et al.  
 4,993,294 A \* 2/1991 Chun ..... B21D 45:006  
 83:139  
 5,017,157 A 5/1991 Liu et al.  
 5,020,407 A 5/1991 Brinlec

5,054,347 A 10/1991 Johnson et al.  
 5,056,392 A 10/1991 Johnson et al.  
 5,316,323 A 5/1994 Jovanovic  
 5,752,424 A 5/1998 Rosenc et al.

(Continued)

**FOREIGN PATENT DOCUMENTS**

DE 19505754 C1 5/1996  
 FR 2012207 A1 3/1970

**OTHER PUBLICATIONS**

ISR and Written Opinion corresponding to PCT Application PCT/US2014/038704, mailed Feb. 20, 2015, 18 pages

*Primary Examiner* Patricia Palasik

(74) *Attorney, Agent, or Firm* Fredrikson & Byron, P.A.

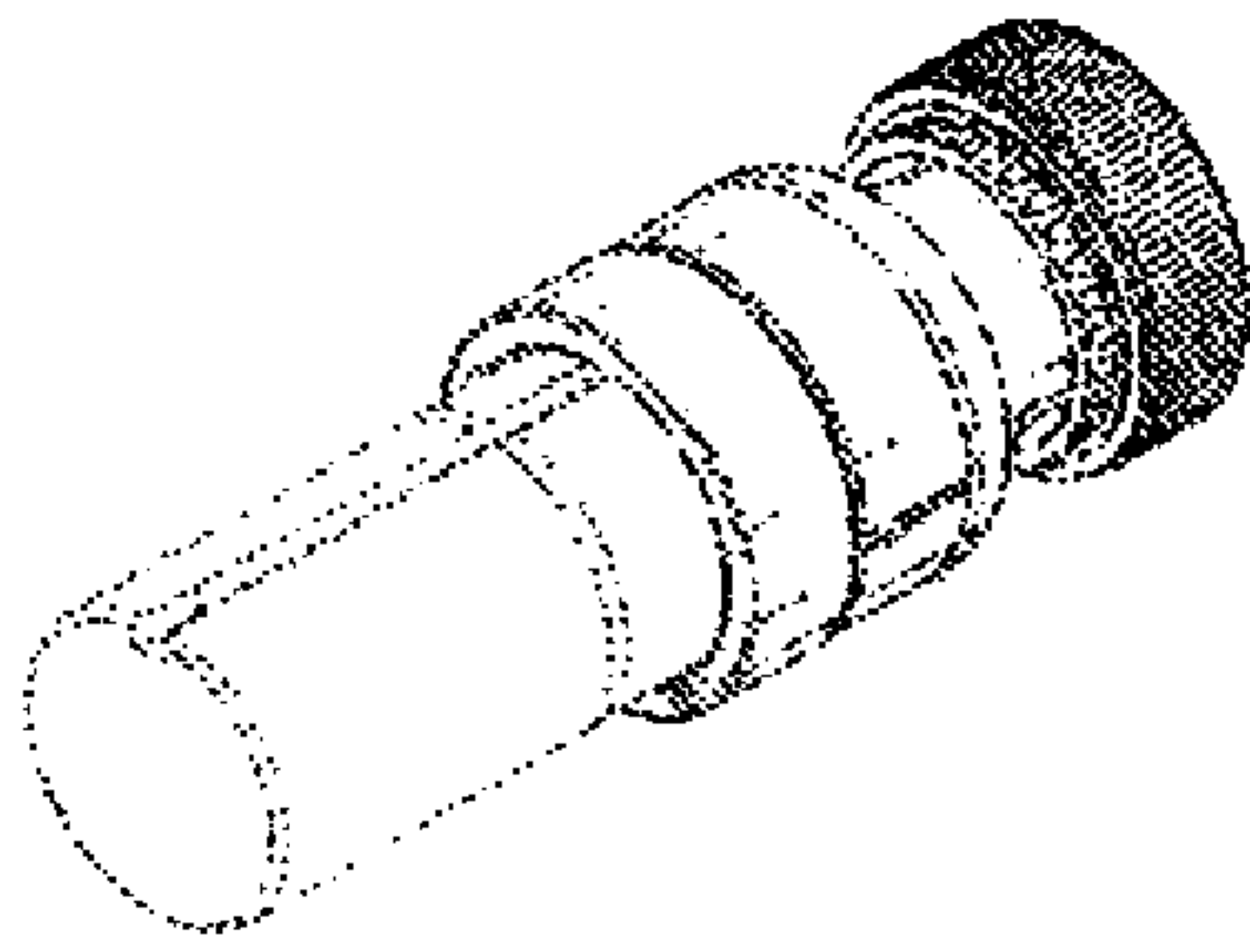
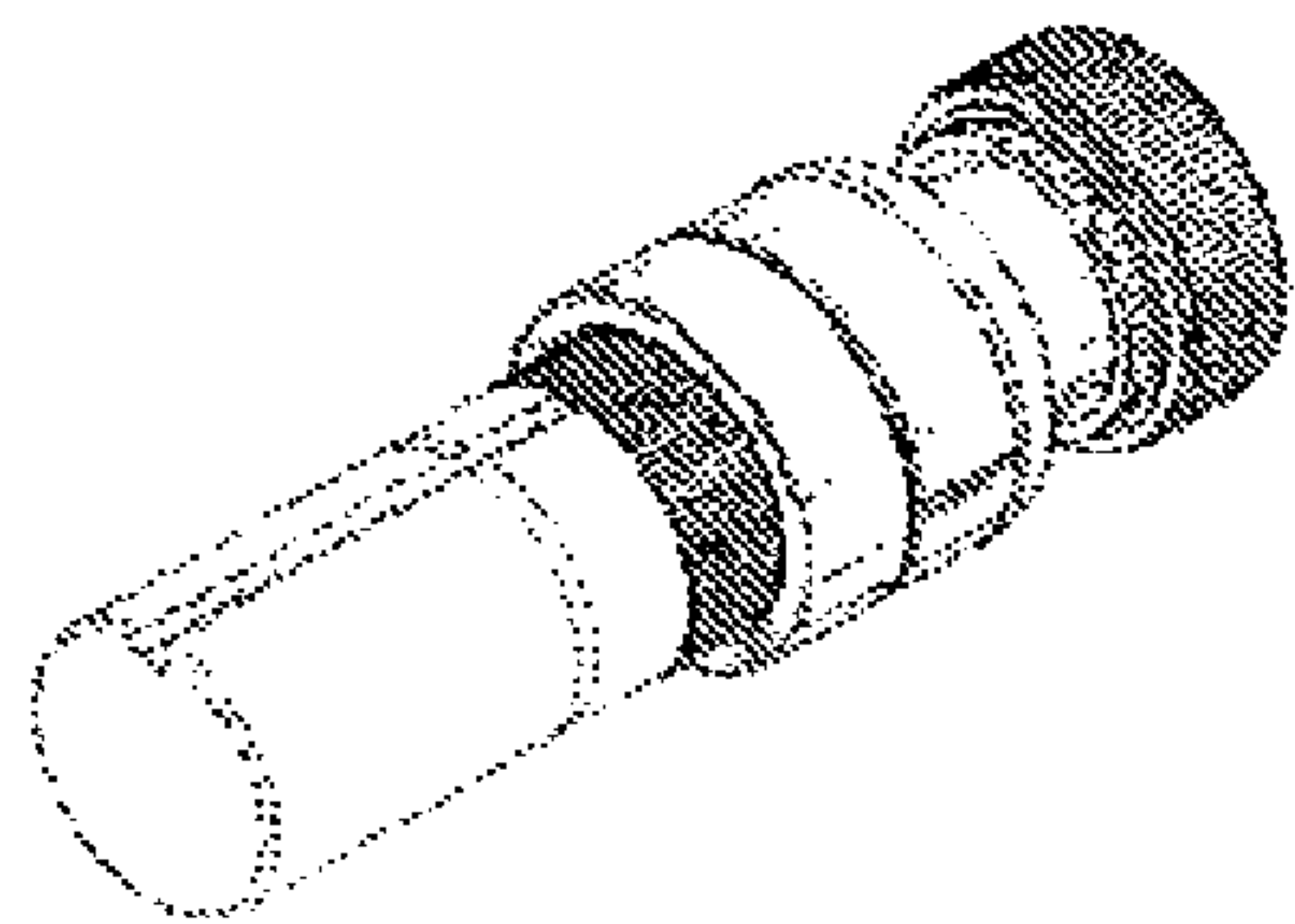
(57) **CLAIM**

We claim the ornamental design for a punch holder, as shown and described.

**DESCRIPTION**

FIG. 1 is a perspective of our new design for a punch holder; FIG. 2 is front view thereof; FIG. 3 is a left side view thereof; FIG. 4 is a right side view thereof; FIG. 5 is a rear side view thereof; FIG. 6 is a top view thereof; FIG. 7 is a bottom view thereof; FIG. 8 is a perspective of a second embodiment of our new design for a punch holder; FIG. 9 is front view thereof; FIG. 10 is a left side view thereof; FIG. 11 is a right side view thereof; FIG. 12 is a rear side view thereof; FIG. 13 is a top view thereof; and, FIG. 14 is a bottom view thereof. The broken lines showing the bottom portion of the punch holder form no part of the claimed design.

**1 Claim, 6 Drawing Sheets**



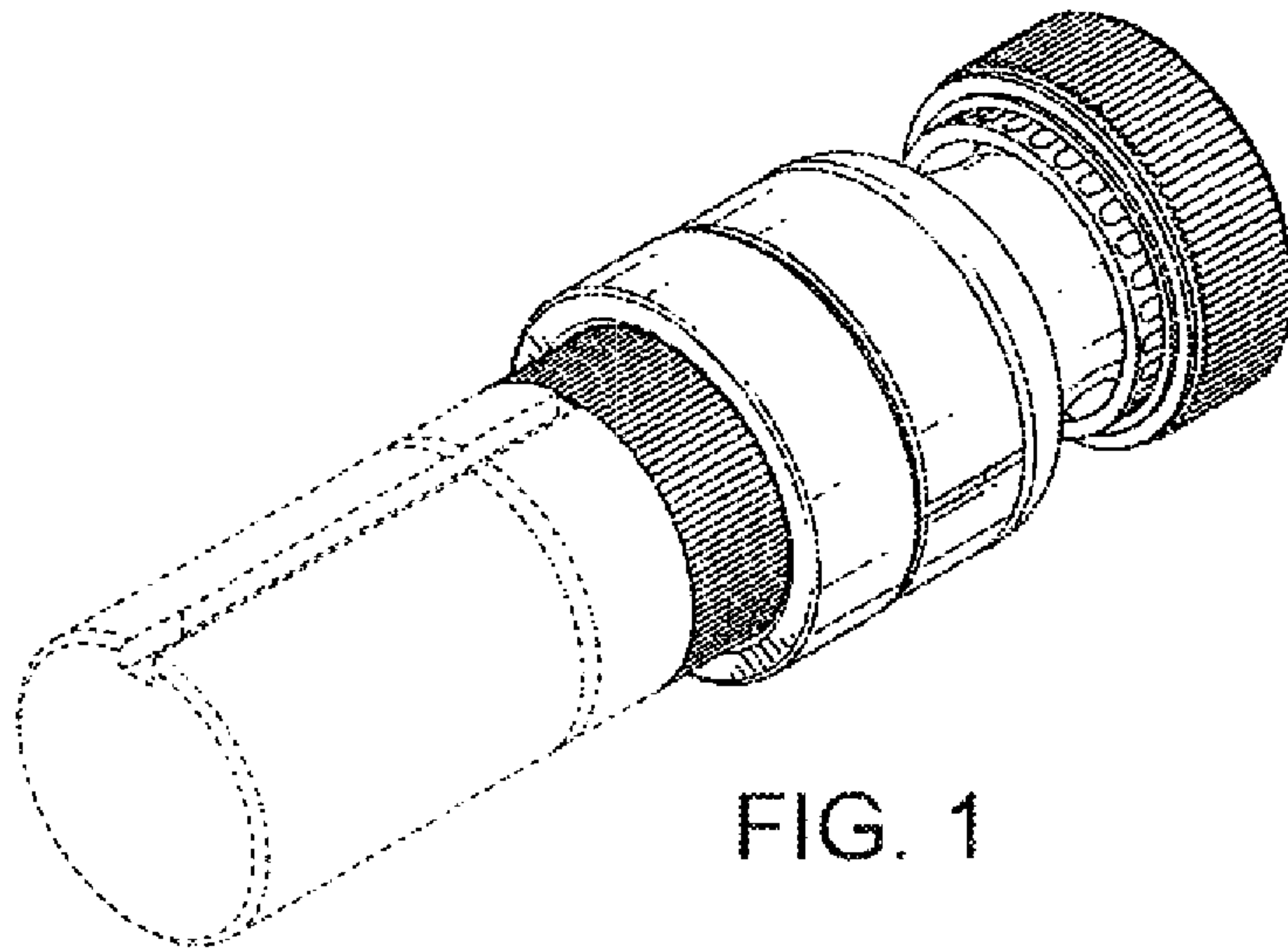


FIG. 1

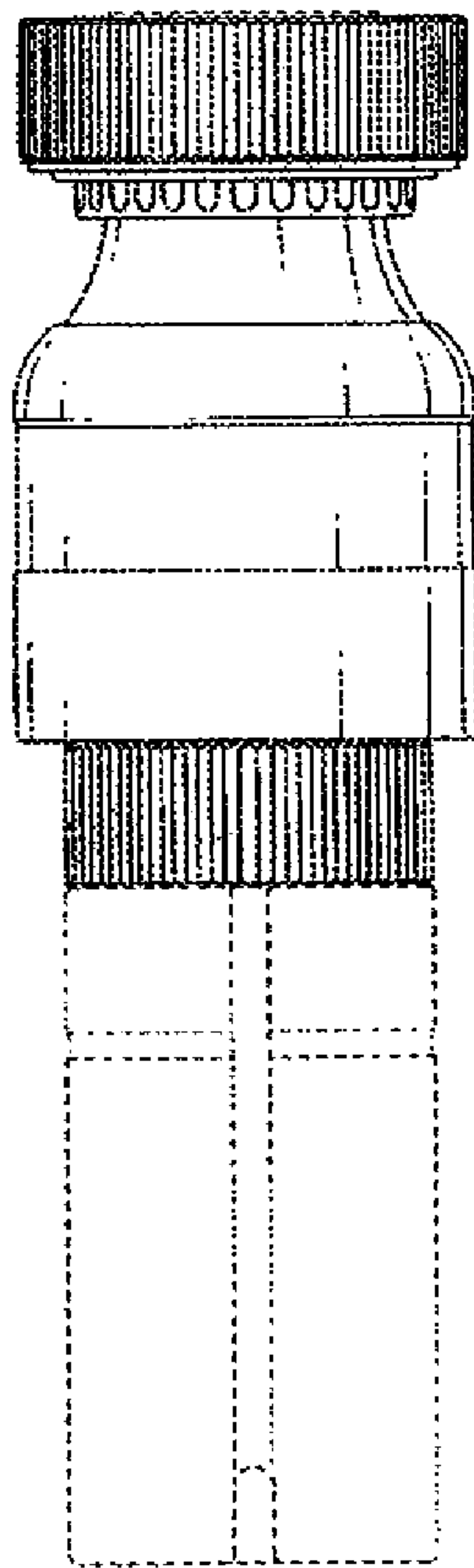


FIG. 2

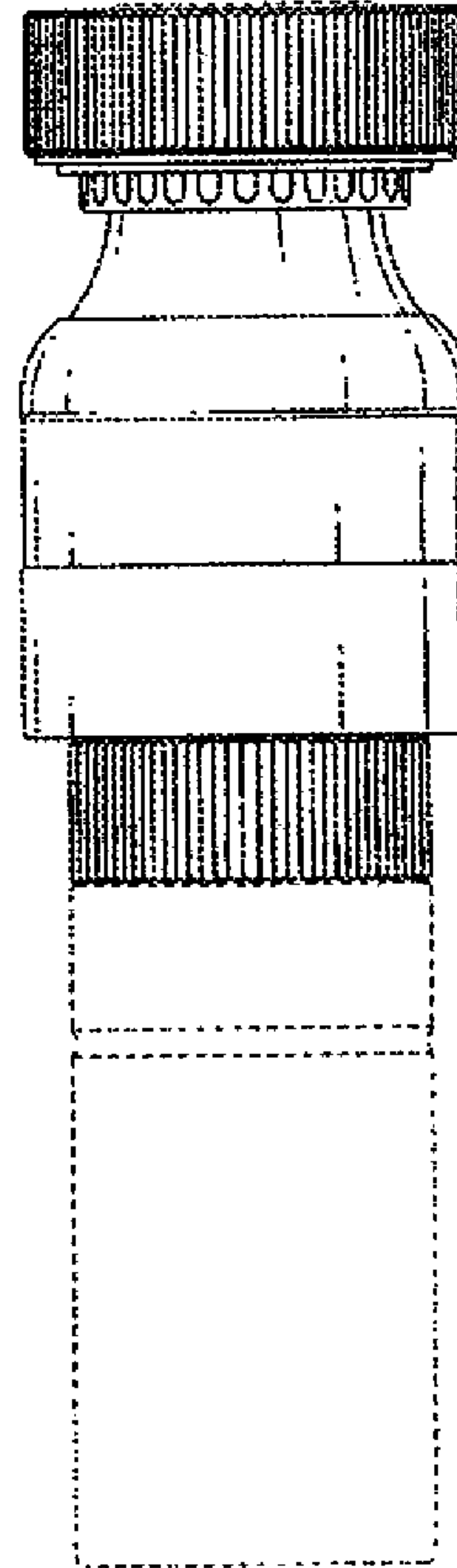


FIG. 3

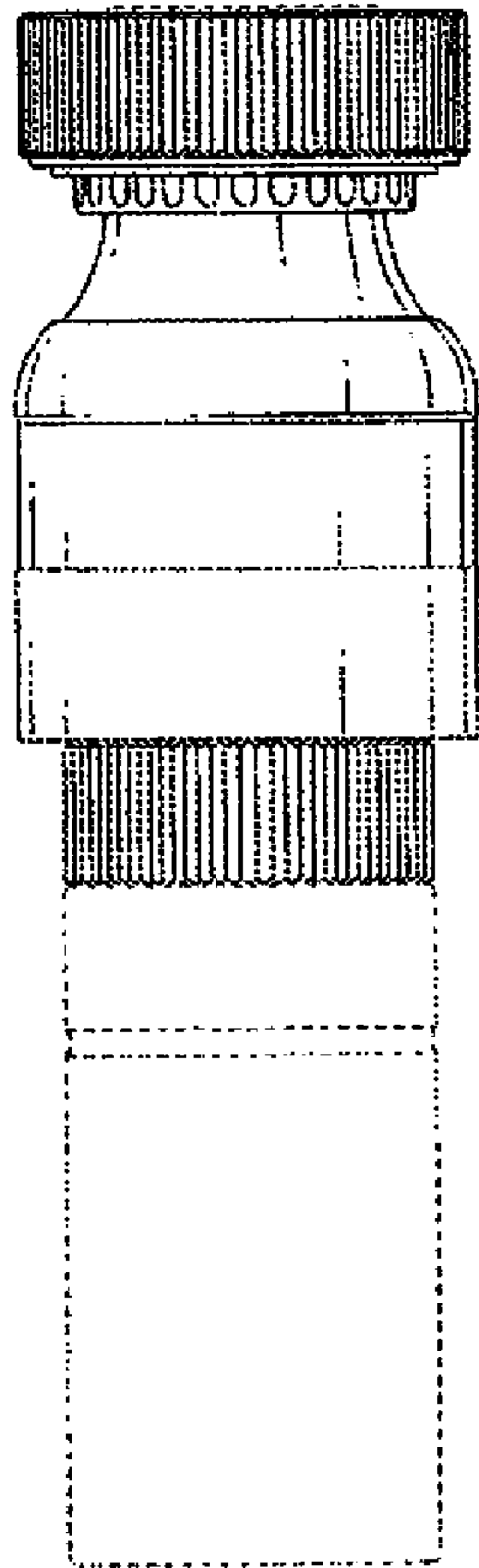


FIG. 4

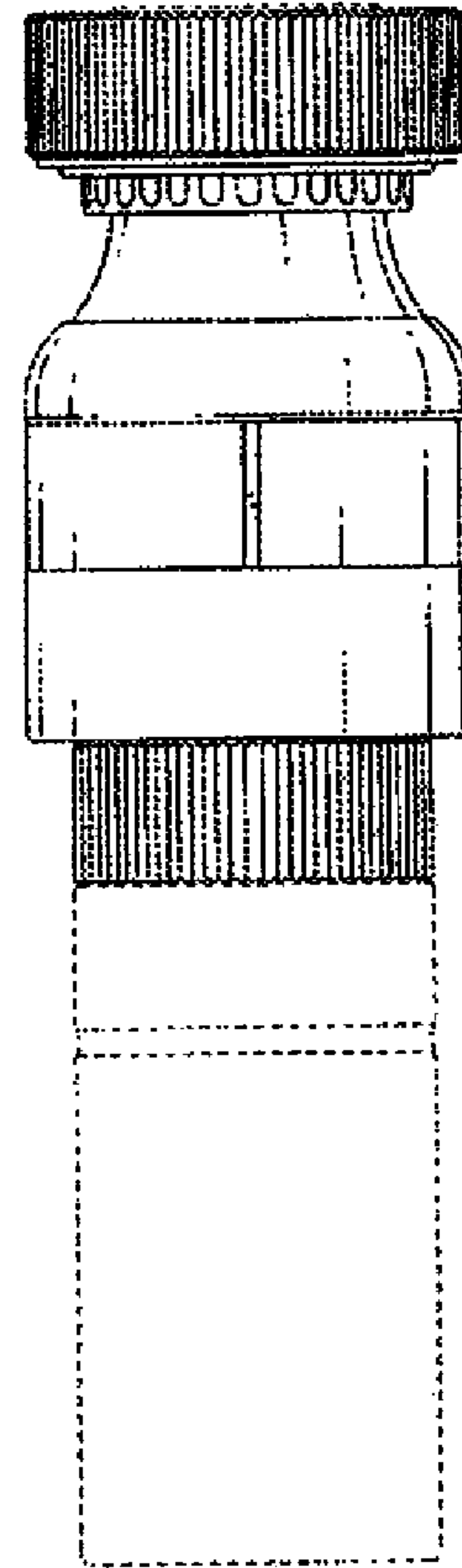


FIG. 5

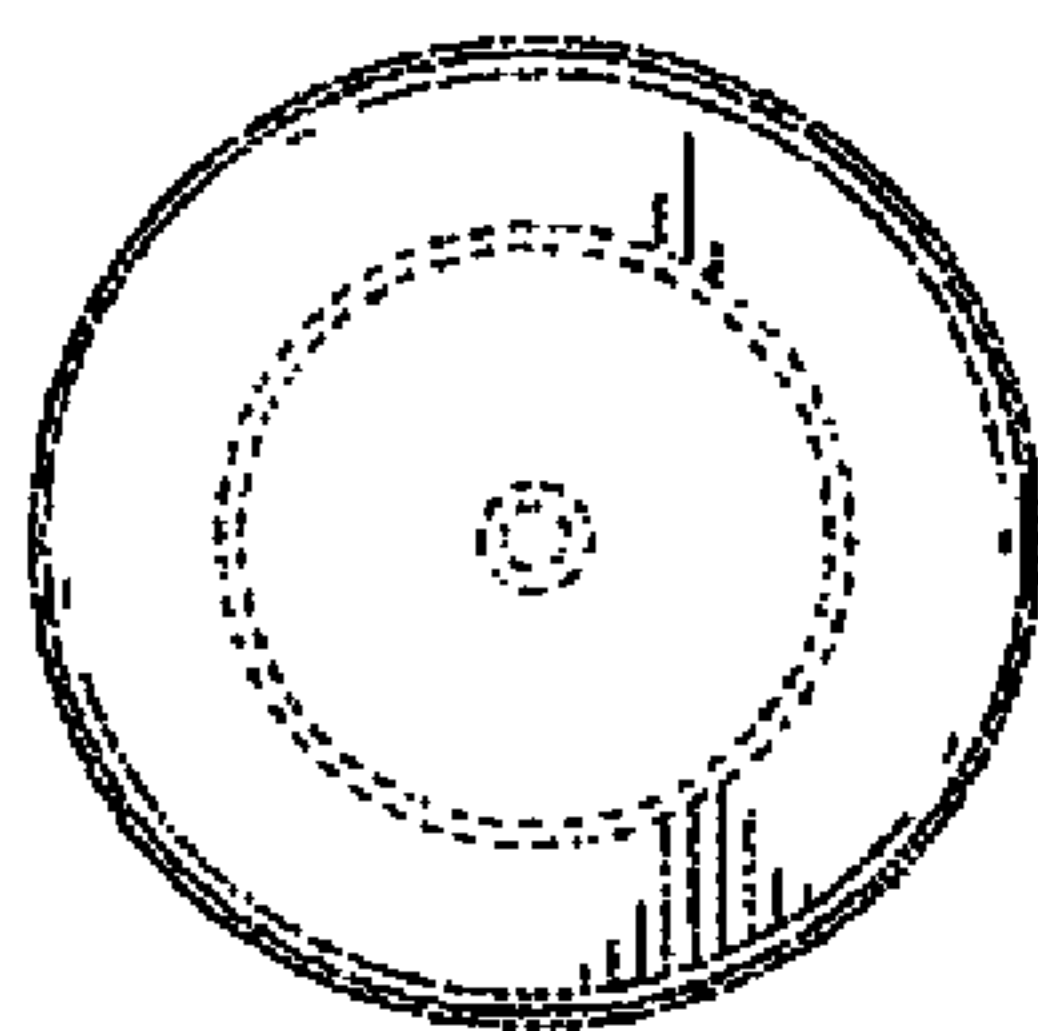


FIG. 6

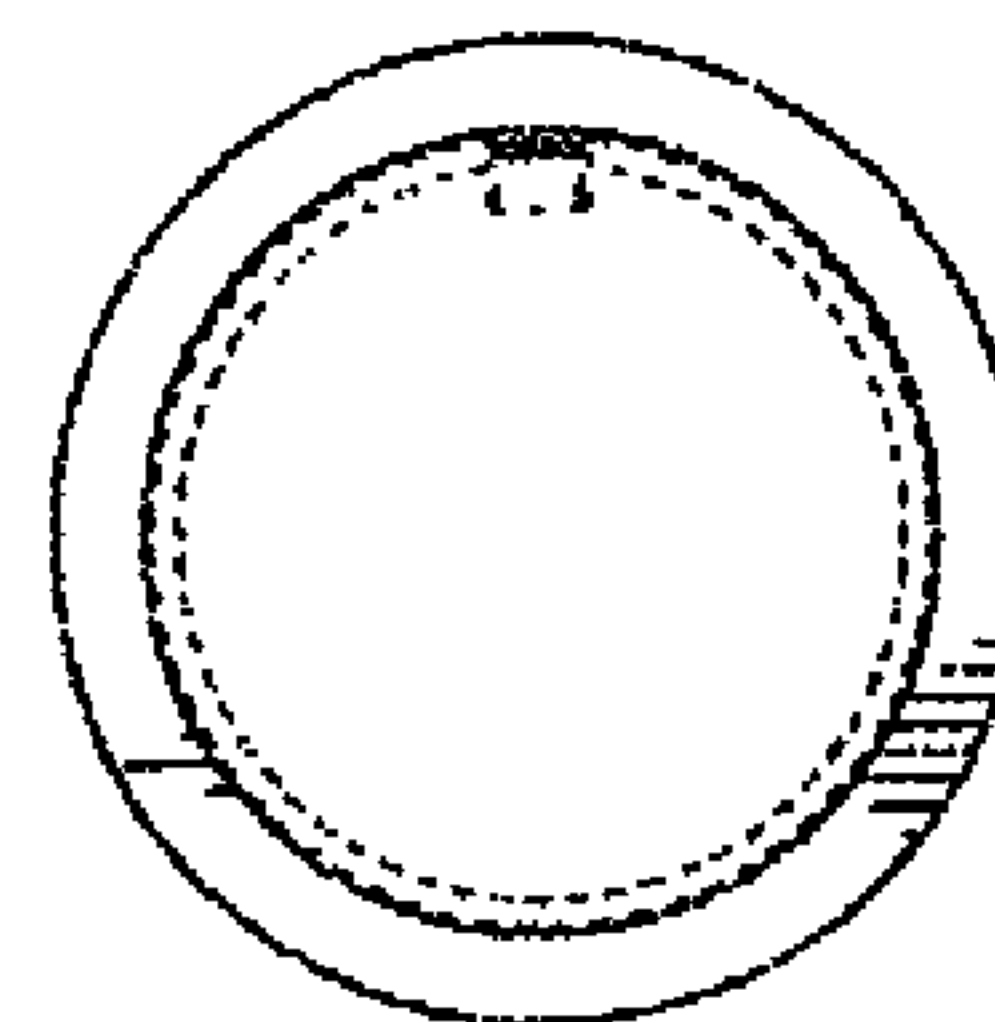


FIG. 7

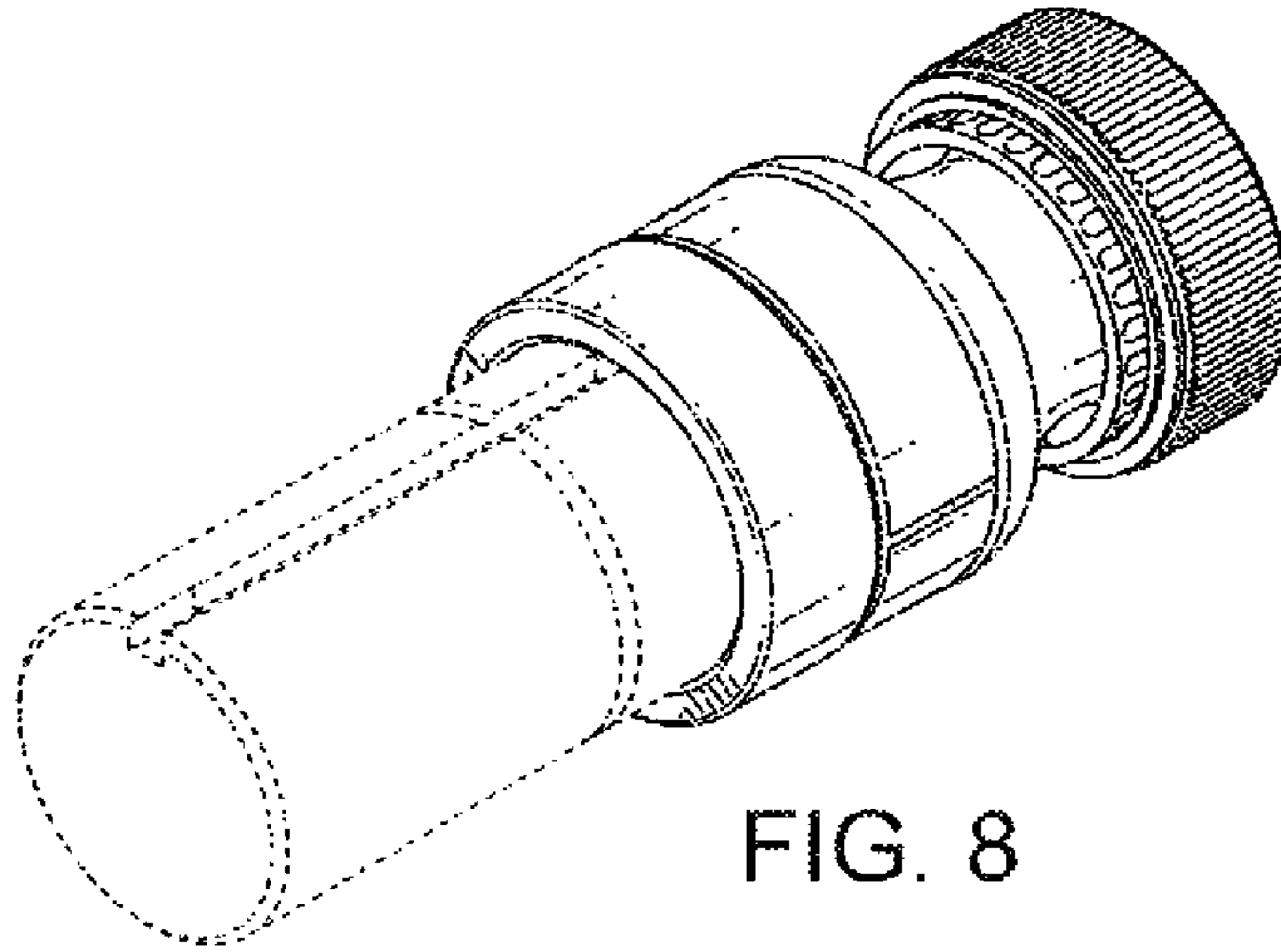


FIG. 8

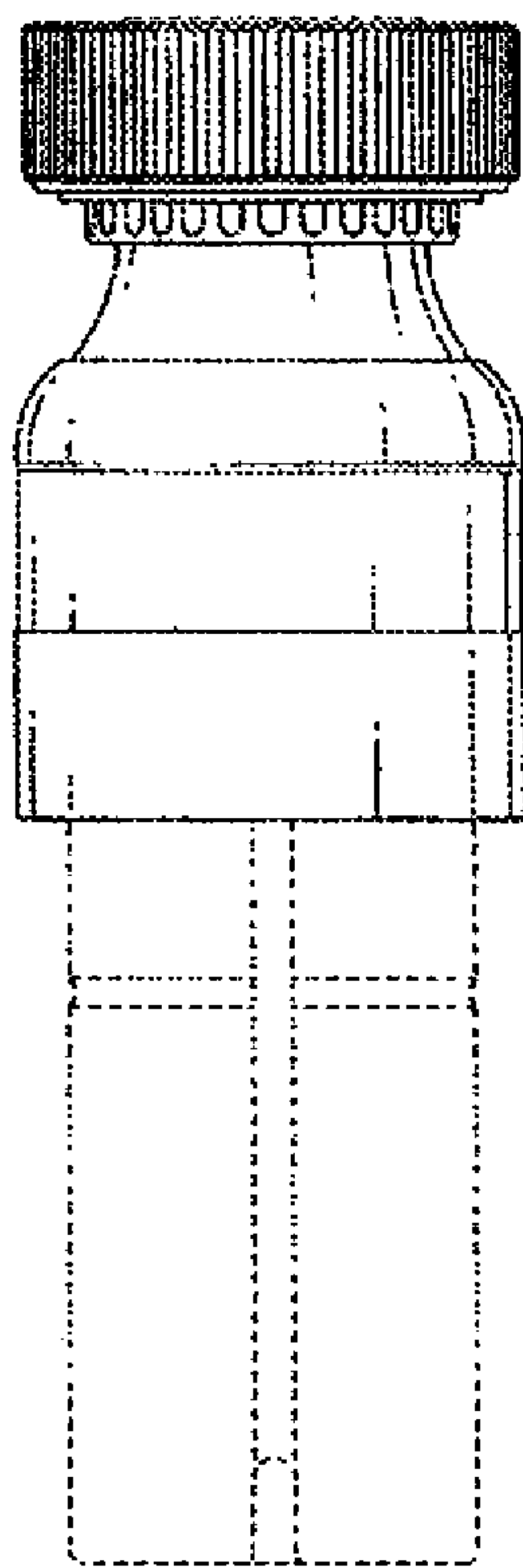


FIG. 9

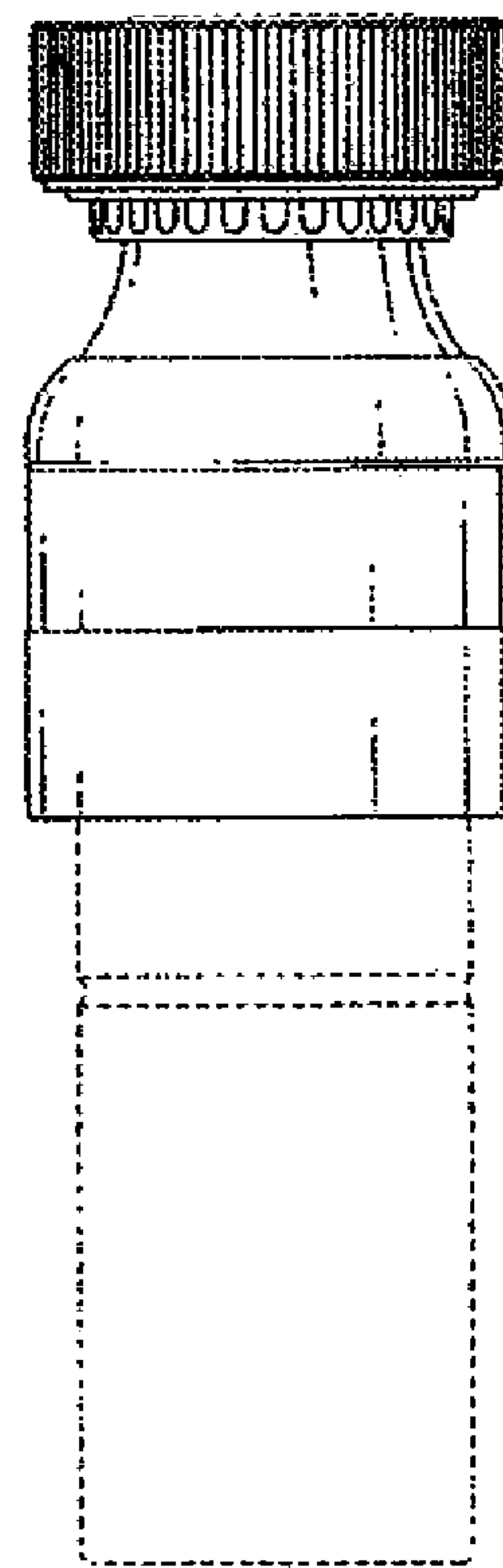


FIG. 10



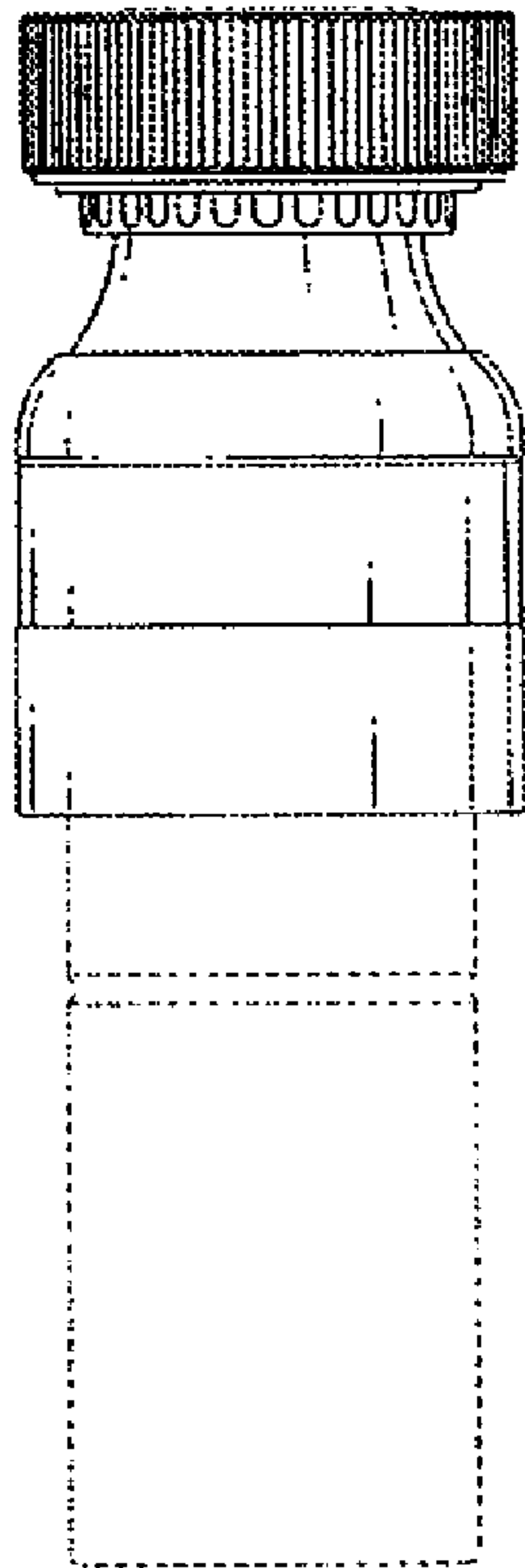


FIG. 11

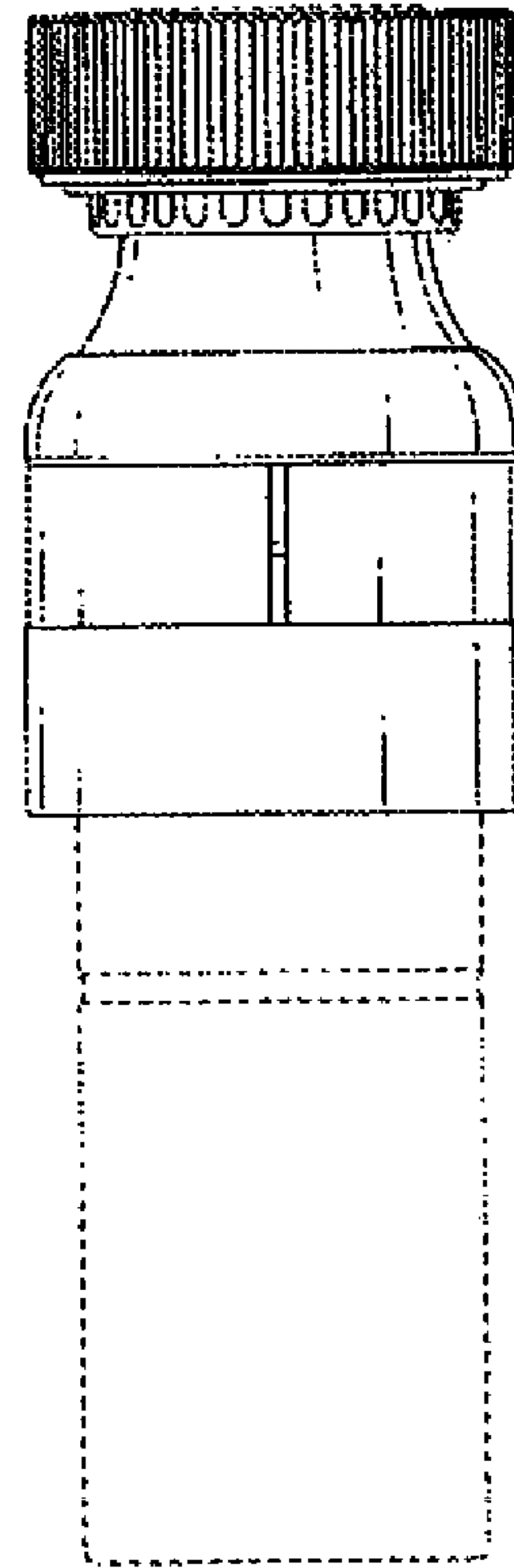


FIG. 12

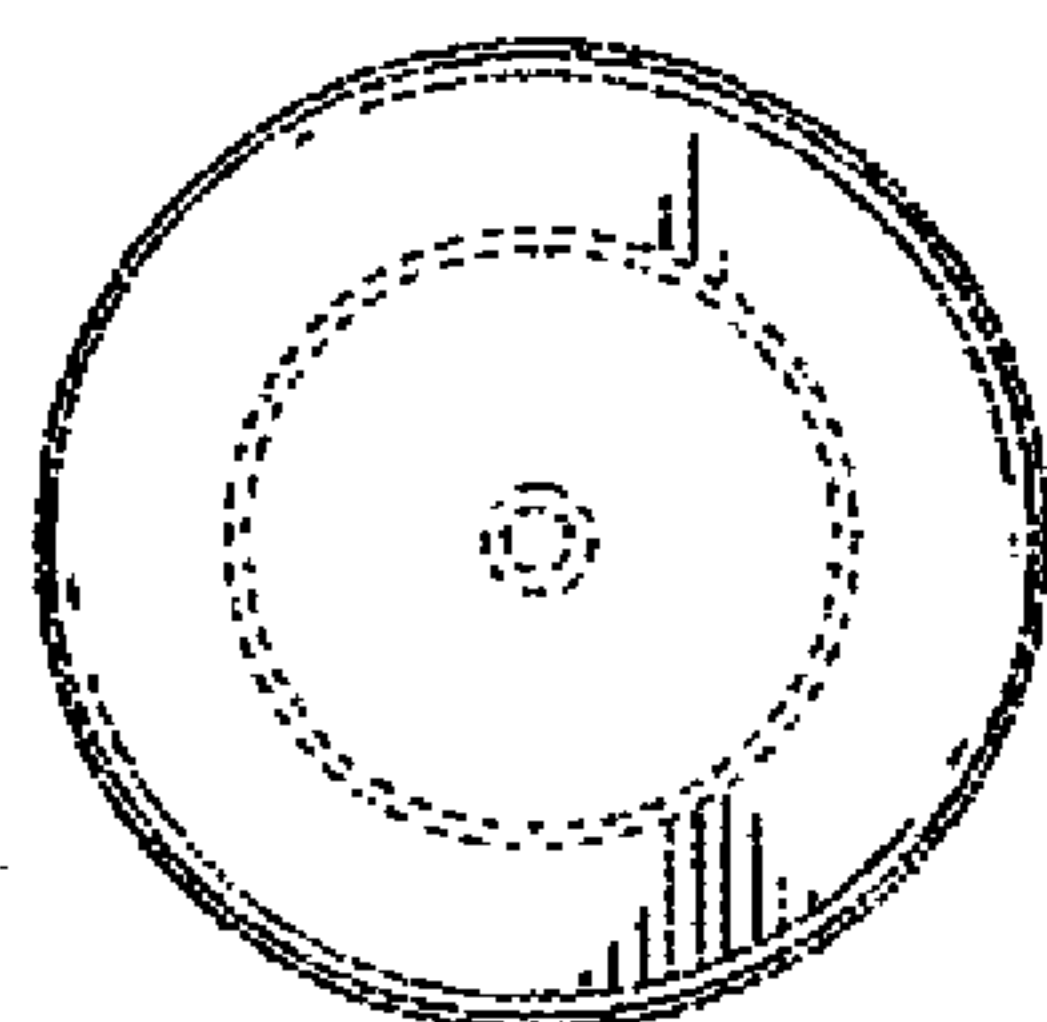


FIG. 13

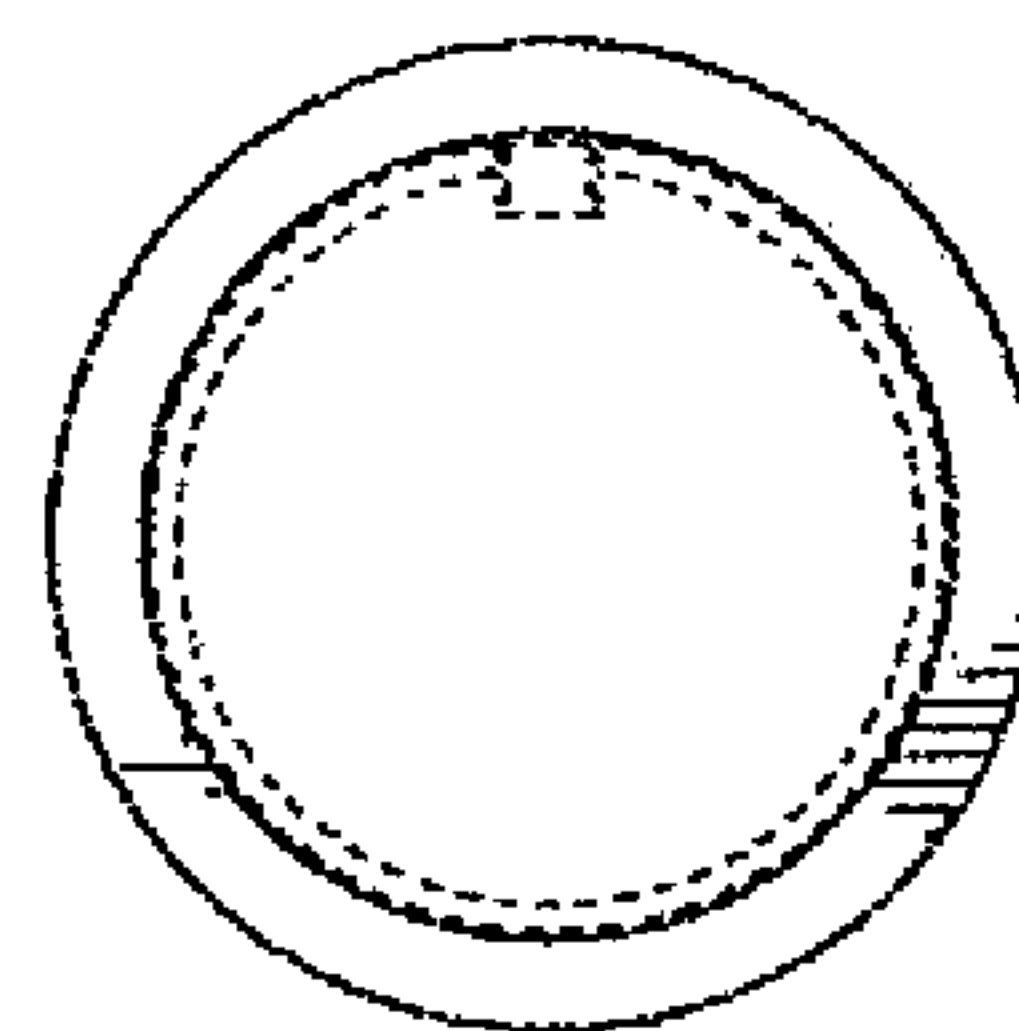


FIG. 14

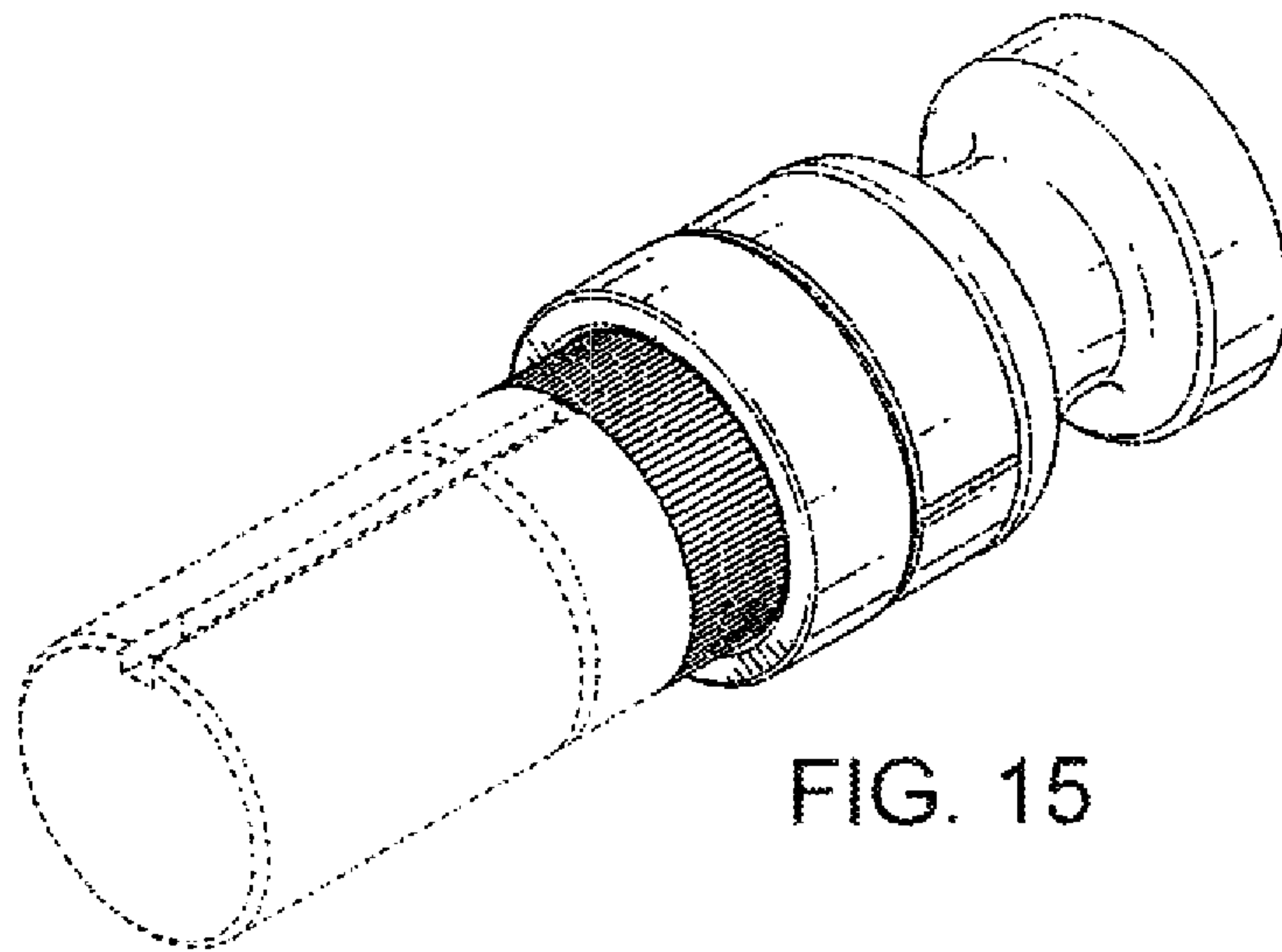


FIG. 15

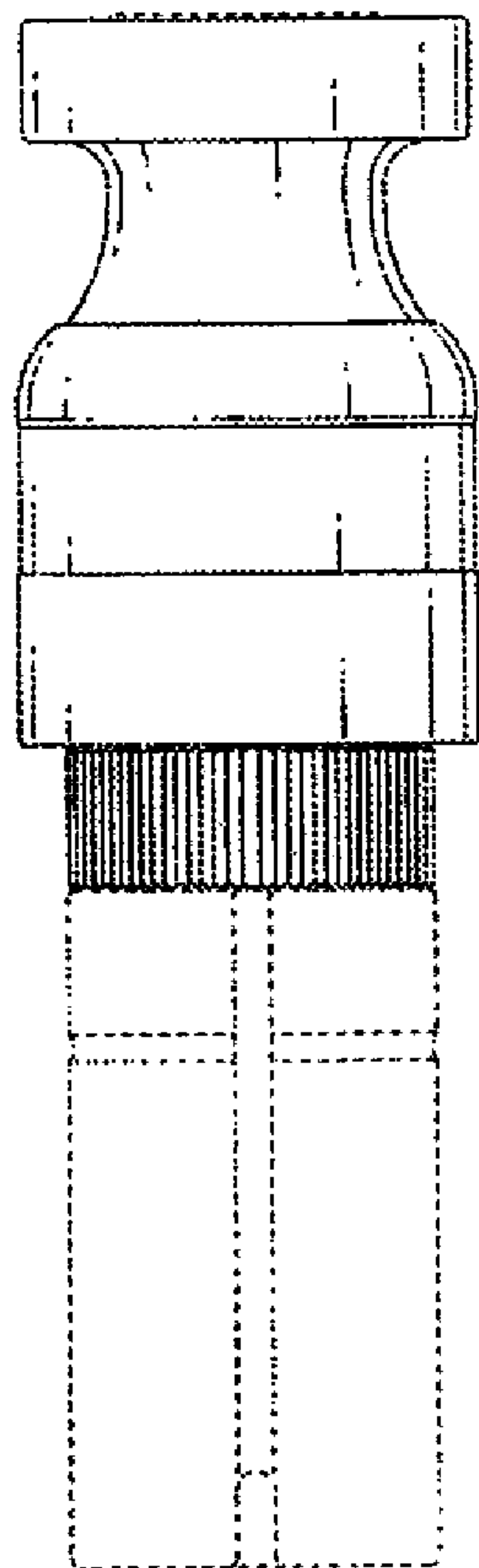


FIG. 16

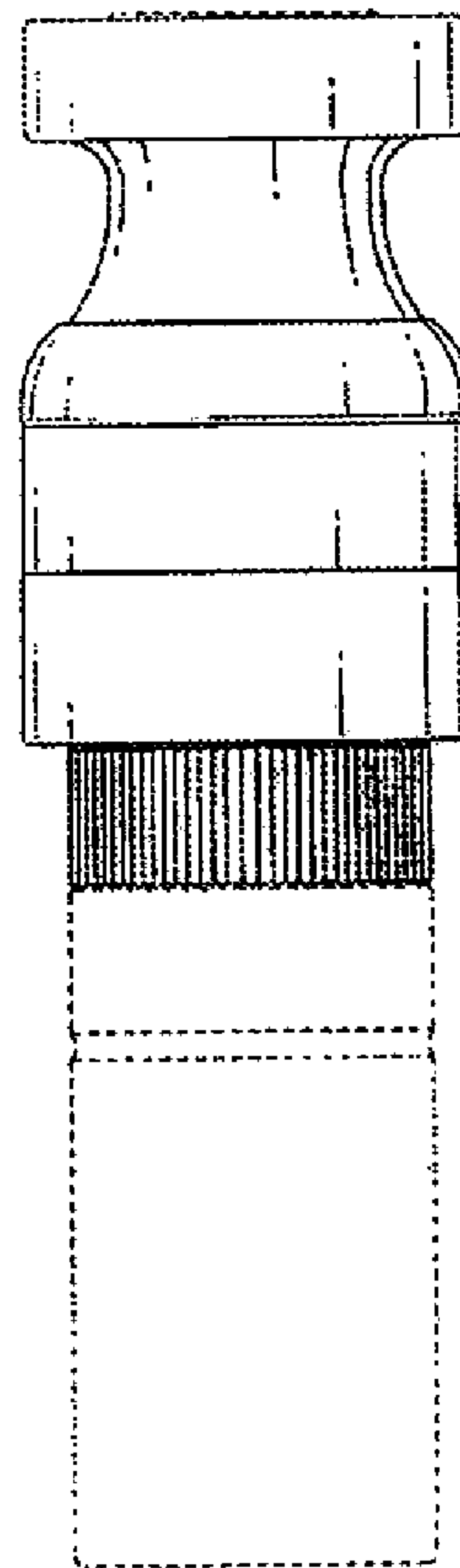


FIG. 17

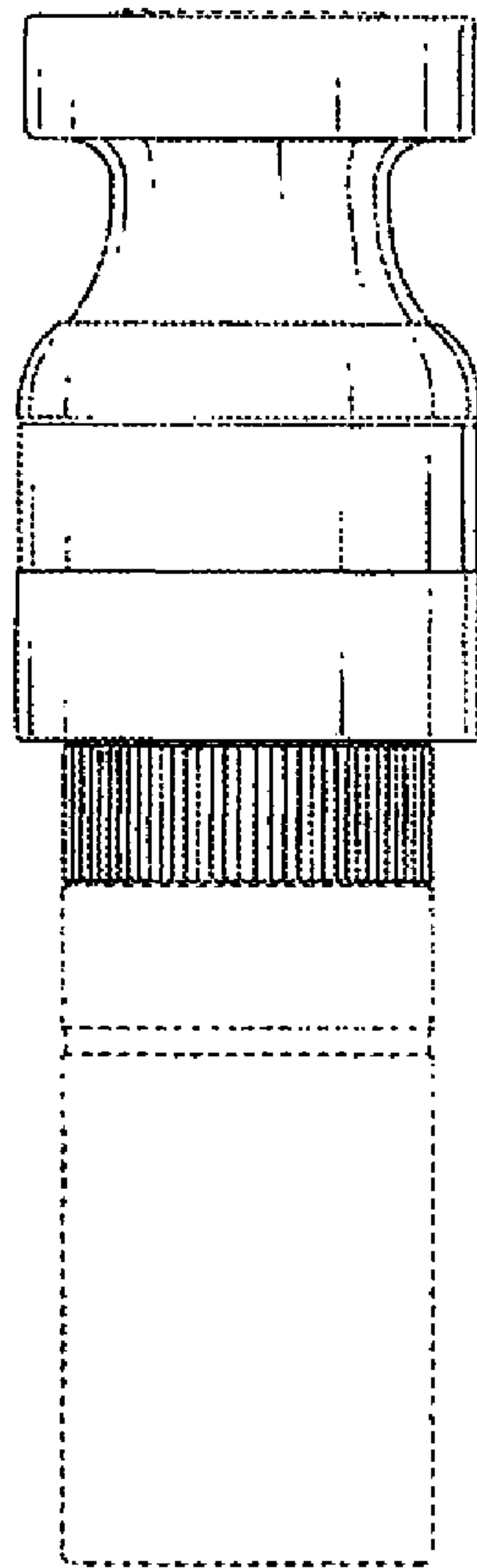


FIG. 18

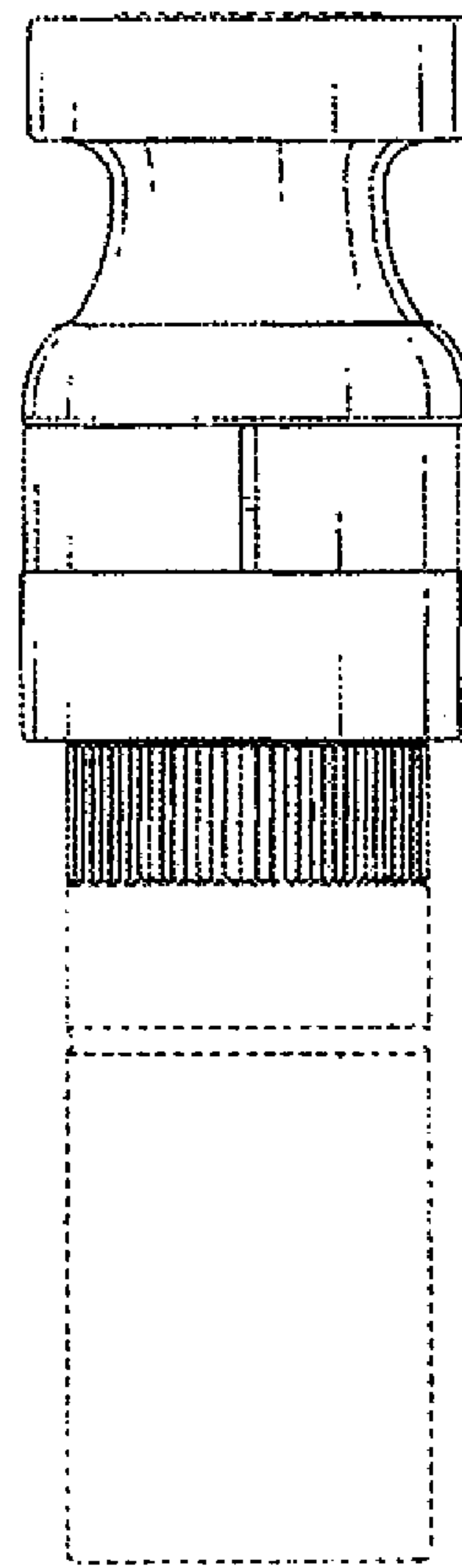


FIG. 19

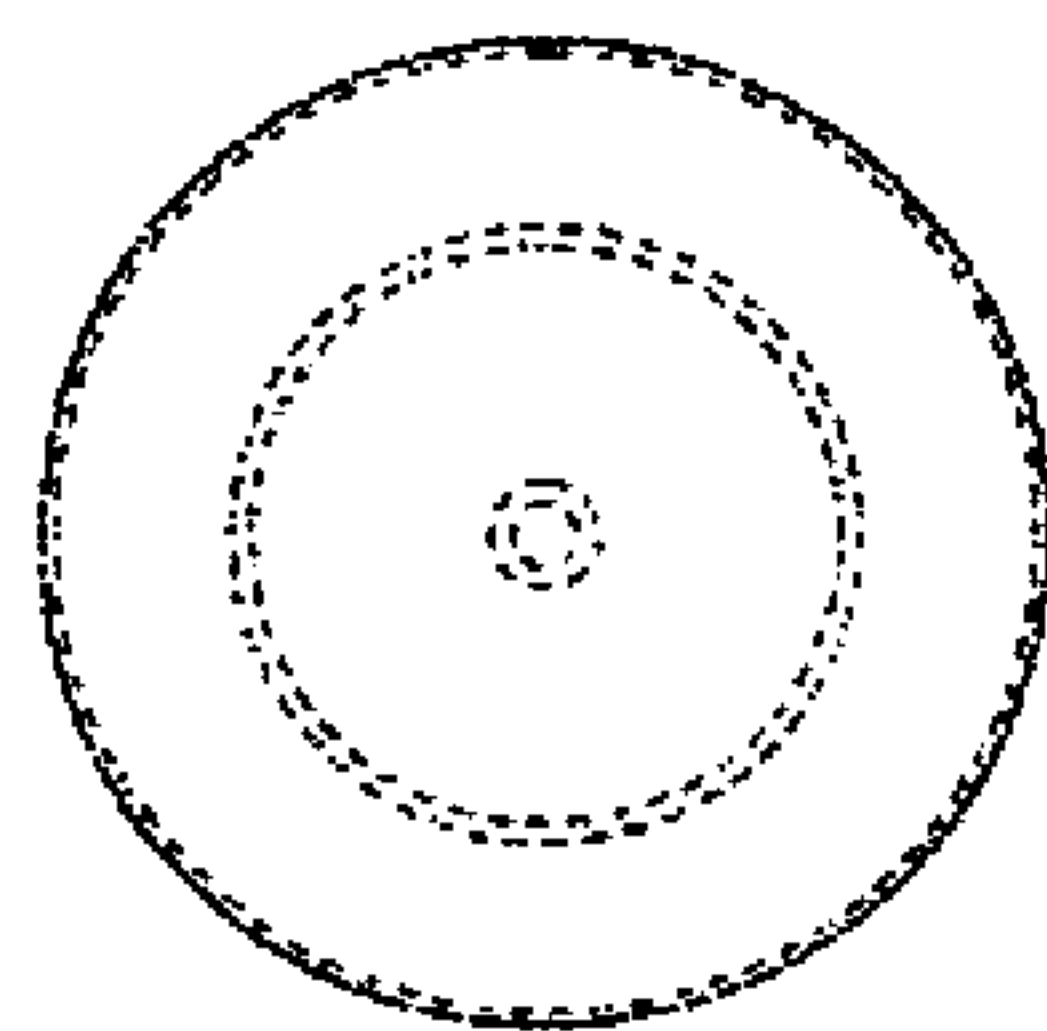


FIG. 20

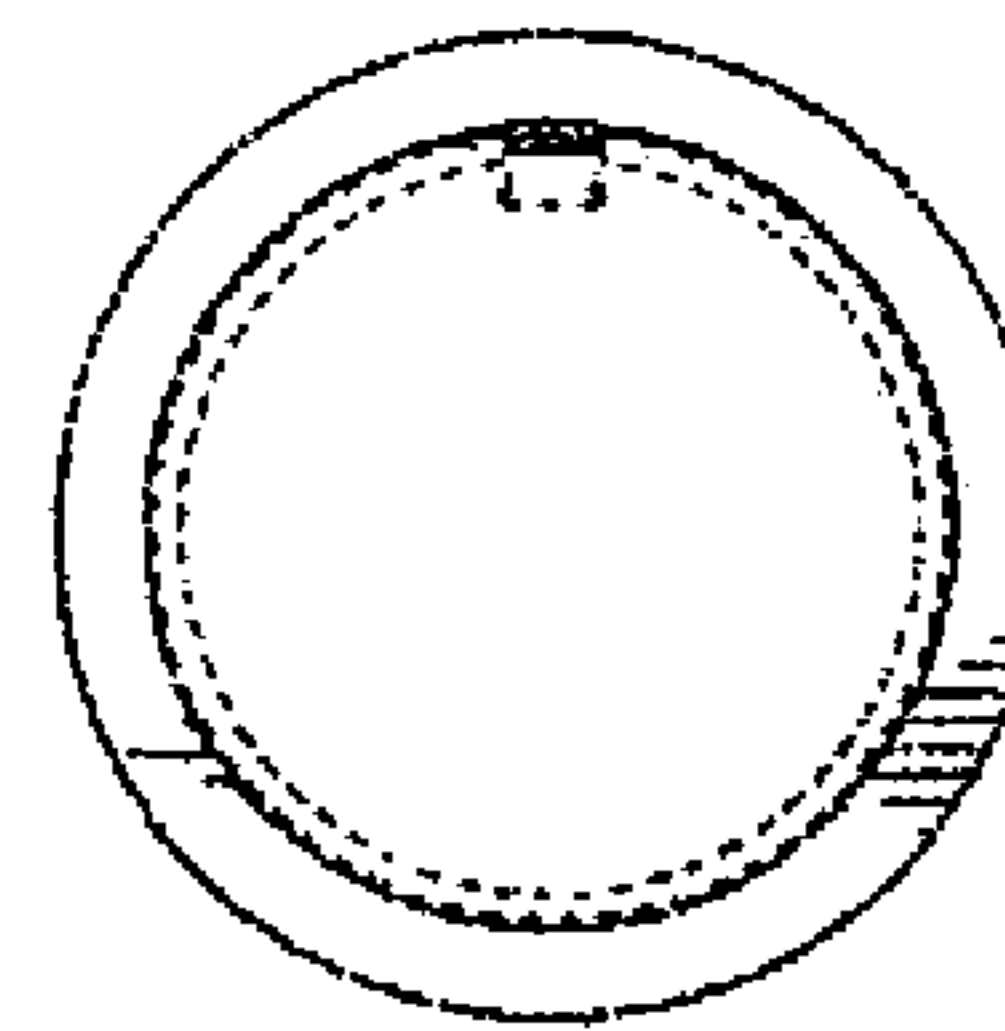


FIG. 21